

USER INSTRUCTIONS

1. Always unplug your portable electric heater before cleaning or disassembling.
2. Do not bend or damage heating elements when cleaning. Any bending or breaking will cause your heater to be inoperable.
3. For the most part, your heater requires dusting. Always use a clean, dry cloth for dusting or a crevice tool on your vacuum cleaner to remove built-up dust and lint. **DO NOT USE WATER.**
4. The motor (If supplied) in your heater requires oiling. Use 1 or 2 drops of SAE-20 oil on the bearing areas of the motor prior to each heating session. (680 series heaters have permanently lubricated bearings.)
5. Any other servicing should be performed by an authorized service representative.
6. When heater is not in use disconnect and roll up cord.
7. When heater is not in use for extended periods, clean as directed above and store in original carton to prevent possible damage.
8. **NOTE:** Altering this heater in any way will void your warranty.
9. This heater uses a manual reset type limit control which opens the circuit to the heating element if any over temperature condition occurs. Turn the heater off, determine cause of overheating and correct the problem. Using a small diameter tool, push to reset through the small hole in heater cabinet to resume position.

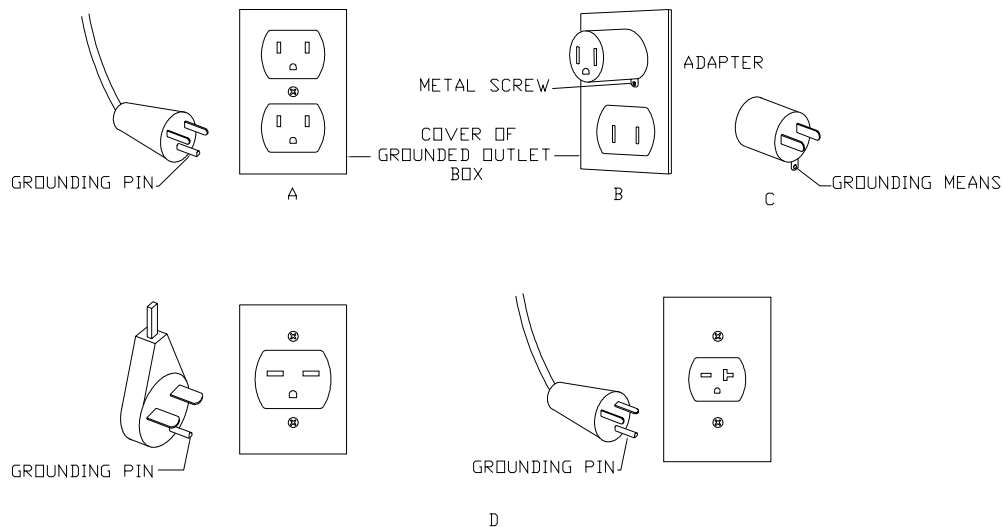
IMPORTANT NOTE:

The pilot light incorporated in this heater is always on whenever the heater is connected to a power supply.

The pilot light is an indicator that the heating elements are energized or can be energized regardless of the thermostat setting.

For heaters rated for use on 120 volts, if the cord has a plug as shown at "A" below, an adapter as shown at "C" is available for connecting three-blade grounding-type plugs to two slot receptacles. The green grounding lug extending from the adapter must be connected to a permanent ground such as a properly grounded outlet box. The adapter should not be used if a three-slot grounded receptacle is available.

For heaters rated for use on 240 or 208 volts, the cord has one of the plug caps as shown in "D" below. No adapter is available for these blade configurations, and none should be used. The type outlet is a 240 or 208 volt grounding outlet. When properly installed, it provides a ground connection through the cord to the heater to protect the operator from electrical shock.



INSTRUCTION MANUAL

IMPORTANT INSTRUCTIONS

When using electrical appliances, basic precautions should always be followed to reduce the risk of fire, electrical shock, and injury to persons, including the following:

1. Read all instructions before using this heater.
2. **CAUTION:** High temperatures. Keep cords and all other combustible material, such as furniture, papers, clothes and curtains away from the heater. For safe and efficient operation, keep an open space around heater of three feet in front and 12 inches at ends and rear.
3. This heater is hot when in use. To avoid burns, do not let bare skin touch hot surfaces. Use the handle when moving this heater.
4. Extreme caution is necessary when any heater is used by or near children or invalids and whenever the heater is left operating and unattended.
5. Always unplug heater when not in use.
6. Do not operate any heater with a damaged cord or plug or after the heater malfunctions, has been dropped or damaged in any manner. Return heater to authorized service facility for examination, electrical or mechanical adjustment, or repair.
7. Do not use outdoors.
8. This heater is not intended for use in bathrooms, laundry area and similar locations. Never locate heater where it may fall into a bathtub or other water containers.
9. Do not run cord under carpeting. Do not cover cord with throw rugs, runners or the like. Arrange cord away from traffic area and where it will not be tripped over.
10. To disconnect heater, turn controls to off, then remove plug from outlet.
11. Do not insert or allow foreign objects to enter any ventilation or exhaust opening as this may cause an electric chock or fire, or damage the heater.
12. To prevent a possible fire, do not block air intakes or exhaust in any manner. Do not use soft surfaces, like a bed, where openings may become blocked.
13. A heater has hot and arcing or sparking parts inside. Do not use it in area where gasoline, paint, or flammable liquids are used or stored.
14. Use this heater only as described in this manual. Any other use not recommended by the manufacturer may cause fire, electric shock, or injury to persons.
15. The manufacturer does not recommended that an extension cord be used with this heater. Avoid the use of any extension cord because the extension cord may overheat and cause a risk of fire. Underwriters Laboratories, Inc. states: "However, if you have to use an extension cord, the cord shall be 14 AWG. minimum size and rated not less than 1500 watts".
16. **SAVE THESE INSTRUCTIONS**