



# EB600RT Power Blower

## *Operator's Manual*

### WARNING

#### **Burn Hazard**



*The muffler or catalytic muffler and surrounding cover may become extremely hot. Always keep clear of exhaust and muffler area, otherwise serious personal injury may occur.*

### WARNING

*The engine exhaust from this product contains chemicals known to the State of California to cause cancer, birth defects or other reproductive harm.*

### WARNING



*Users of this equipment risk injury to themselves and others if the unit is used improperly and/or safety precautions are not followed. ECHO provides an operator's manual. It must be read and understood for proper and safe operation. Failure to do so could result in serious injury.*

Specifications, descriptions and illustrative material in this literature are as accurate as known at the time of publication, but are subject to change without notice. Illustrations may include optional equipment and accessories, and may not include all standard equipment.

TABLE OF CONTENTS

Table of contents ..... 2

Introduction ..... 3

    The Operator’s Manual ..... 3

Servicing information ..... 3

    Parts/Serial Number..... 3

    Service ..... 3

    Consumer Product Support ..... 3

    Product Registration ..... 3

    Additional or Replacement Manuals ..... 3

Safety..... 4

    Manual Safety Symbols and Important Information ..... 4

    International Symbols ..... 5

    Personal Condition and Safety Equipment ..... 6

    Equipment..... 9

Emission Control (Exhaust & Evaporative)..... 10

    EPA 2010 and Later and/or C.A.R.B. TIER III ..... 10

Description ..... 11

Contents ..... 13

Assembly ..... 14

    Install Blower Pipes ..... 14

Operation ..... 15

    Fuel ..... 15

    Starting Cold Engine ..... 17

    Starting Warm Engine..... 18

    Stopping Engine..... 18

    Operating Blower ..... 18

    Cold Weather Operation ..... 20

    Adjust the Harness..... 21

Maintenance ..... 22

    Skill Levels ..... 22

    Maintenance Intervals..... 22

    Air Filter..... 23

    Fuel Filter ..... 23

    Spark Plug ..... 24

    Cooling System..... 24

    Exhaust System ..... 25

    Carburetor Adjustment..... 27

    Throttle Cable Adjustment ..... 28

Troubleshooting ..... 29

Storage ..... 30

    Long Term Storage (Over 30 Days)..... 30

Specifications..... 31

Warranty Statements ..... 32

Notes ..... 34

Product Registration ..... 35

Notes ..... 36

## INTRODUCTION

Welcome to the SHINDAIWA family. This SHINDAIWA product was designed and manufactured to provide long life and on-the-job dependability. Read and understand this manual. You will find it easy to use and full of helpful operating tips and SAFETY messages.

### The Operator's Manual

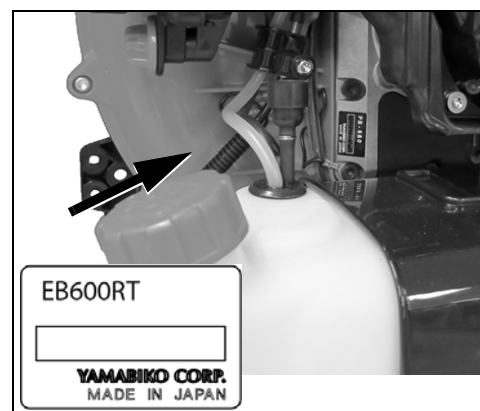
Keep it in a safe place for future reference. Contains specifications and information for safety, operation, maintenance, storage and assembly specific to this product.

## SERVICING INFORMATION

### Parts/Serial Number

Genuine SHINDAIWA Parts and Assemblies for your SHINDAIWA products are available only from an Authorized SHINDAIWA Dealer. When you do need to buy parts **always** have the Model Number and Serial Number of the unit with you. You can find these numbers on the engine housing. For future reference, write them in the space provided below.

Model No. \_\_\_\_\_ SN. \_\_\_\_\_



### Service

Service of this product during the warranty period must be performed by an Authorized SHINDAIWA Service Dealer. For the name and address of the Authorized SHINDAIWA Service Dealer nearest you, ask your retailer or call: 1-877-986-7783. Dealer information is also available on [WWW.SHINDAIWA-USA.COM](http://WWW.SHINDAIWA-USA.COM). When presenting your unit for Warranty service/repairs, proof of purchase is required.

### Consumer Product Support

If you require assistance or have questions concerning the application, operation or maintenance of this product you may call the SHINDAIWA Consumer Product Support Department at 1-877-986-7783 from 8:00 am to 5:00 pm (Central Standard Time) Monday through Friday. Before calling, please know the model and serial number of your unit.

### Product Registration

To ensure trouble free warranty coverage it is important that you register your SHINDAIWA equipment on-line at [WWW.SHINDAIWA-USA.COM](http://WWW.SHINDAIWA-USA.COM) or by filling out the product registration sheet included in this manual. Registering your product confirms your warranty coverage and provides a direct link between you and ECHO if we find it necessary to contact you.

### Additional or Replacement Manuals

**Replacement Operator and Parts Catalogs** are available from your SHINDAIWA dealer or at [WWW.SHINDAIWA-USA.COM](http://WWW.SHINDAIWA-USA.COM) or by contacting the Consumer Product Support Department (1-877-986-7783). Always check [WWW.SHINDAIWA-USA.COM](http://WWW.SHINDAIWA-USA.COM) for updated information.

---

## SAFETY

---

### Manual Safety Symbols and Important Information

Throughout this manual and on the product itself, you will find safety alerts and helpful, informational messages preceded by symbols or key words. The following is an explanation of those symbols and key words and what they mean to you.

#### DANGER

*The safety alert symbol accompanied by the word “DANGER” calls attention to an act or condition which WILL lead to serious personal injury or death if not avoided.*

#### WARNING

*The safety alert symbol accompanied by the word “WARNING” calls attention to an act or condition which CAN lead to serious personal injury or death if not avoided.*

#### CAUTION

*The safety alert symbol accompanied by the word “CAUTION” calls attention to an act or condition which may lead to minor or moderate personal injury if not avoided.*

#### NOTICE

*The enclosed message provides information necessary for the protection of the unit.*


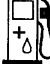









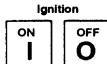






Note: This enclosed message provides tips for use, care and maintenance of the unit.



#### CIRCLE AND SLASH SYMBOL

This symbol means the specific action shown is prohibited. Ignoring these prohibitions can result in serious or fatal injury.

International Symbols

| Symbol   | Description                                      | Symbol  | Description                               | Symbol  | Description                               | Symbol  | Description                                |
|--|--|---|---|---|---|---|--|
|   | Read and understand owners manual.               |  | Fuel and oil mixture                      | <b>L</b>  | Carburetor Adjustment - Low speed mixture | <b>H</b>  | Carburetor Adjustment - High speed mixture |
|   | Wear eye, ear and head protection                |  | Finger severing                           |  | Safety/Alert                              | <b>T</b>  | Carburetor Adjustment - Idle speed         |
|   | Emergency Stop                                   |  | Hot Surface                               |  | Idle Speed                                |  | Fast speed                                 |
|   | Wear hand protection. Use two handed             |  | DO NOT smoke near fuel                    |  | Ignition ON / OFF                         |  | Primer Bulb                                |
|   | Choke Control COLD START Position (Choke Closed) |  | Choke Control "RUN" Position (Choke Open) |  | DO NOT allow flames or sparks near fuel   |  | Wear slip resistant footwear               |
|  | Keep bystanders and helpers away 15 m (50 ft.).  |   |   |   |   |   |  |



**LOOK BEFORE YOU PUMP!**  
Ethanol Percentage

0% - 10% | 15% - 30% - 50% - 85%

**USE E10 <sup>OR LESS</sup> FUEL**

Do not use any fuel containing greater than 10 percent ethanol (E10) in this equipment. It may cause damage or failure and is prohibited by Federal Law.  
For Details, see the "Fuel" Section of your Operators Manual

50:1

## Personal Condition and Safety Equipment

### WARNING

*Users of this product risk injury to themselves and others if the unit is used improperly and/or safety precautions are not followed. Proper clothing and safety gear must be worn when operating unit.*

#### Physical Condition

Your judgment and physical dexterity may not be good:

- If you are tired or sick.
- If you are taking medication.
- If you have taken alcohol or drugs.

Operate unit only if you are physically and mentally well.

#### Eye Protection

### WARNING

- **Eye protection that meets ANSI Z87.1 or CE requirements must be worn whenever you operate the unit.**
- **For additional safety, a full-face shield may be worn over safety glasses or goggles to provide protection from sharp branches or flying debris.**

#### Hand Protection

Wear sturdy, no-slip, rubber work gloves to improve your grip on the handles. Gloves also provide protection against cuts and scratches, cold environments, and reduce the transmission of machine vibration to your hands.

#### Hearing/Ear Protection

ECHO recommends wearing hearing protection whenever unit is used.

#### Breathing Protection

Operators who are sensitive to dust or other common airborne allergens may need to wear a dust mask to prevent inhaling these materials while operating unit. Dust masks can provide protection against dust, plant debris, and other plant matter such as pollen. Make sure the mask does not impair your vision, and replace the mask as needed to prevent air restrictions.

#### Proper Clothing

Wear snug-fitting, durable clothing:

- Pants should have long legs, shirts should have long sleeves.
- DO NOT WEAR SHORTS.
- DO NOT WEAR TIES, SCARVES, JEWELRY, or clothing with loose or hanging items that could become entangled in moving parts or surrounding growth.
- Keep clothing buttoned or zipped, and keep shirt tails tucked in.

Wear sturdy work shoes with nonskid rubber soles:

- DO NOT WEAR OPEN TOED SHOES.

- DO NOT OPERATE UNIT BAREFOOTED.

Keep long hair away from engine and air intake. Retain hair with cap or net.

Heavy protective clothing can increase operator fatigue, which may lead to heat stroke. Schedule heavy work for early morning or late afternoon hours when temperatures are cooler.

### **⚠ WARNING**

***The components of this machine generate an electromagnetic field during operation, which may interfere with some pacemakers. To reduce the risk of serious or fatal injury, persons with pacemakers should consult with their physician and the pacemaker manufacturer before operating this machine. In the absence of such information, ECHO does not recommend the use of this machine by anyone who has a pacemaker.***

### **Extended Operation / Extreme Conditions**

### **⚠ CAUTION**

***Prolonged exposure to cold and/or vibration may result in injury. Read and follow all safety and operation instructions to minimize risk of injury. Failure to follow instructions may result in painful wrist/hand/arm injuries.***

It is believed that a condition called Raynaud's Phenomenon, which affects the fingers of certain individuals, may be brought about by exposure to vibration and cold. Exposure to vibration and cold may cause tingling and burning sensations, followed by loss of color and numbness in the fingers. The following precautions are strongly recommended, because the minimum exposure, which might trigger the ailment, is unknown.

- Keep your body warm, especially the head, neck, feet, ankles, hands, and wrists.
- Maintain good blood circulation by performing vigorous arm exercises during frequent work breaks, and also by not smoking.
- Limit the hours of operation. Try to fill each day with jobs where operating the unit or other hand-held power equipment is not required.
- If you experience discomfort, redness, and swelling of the fingers followed by whitening and loss of feeling, consult your physician before further exposing yourself to cold and vibration.

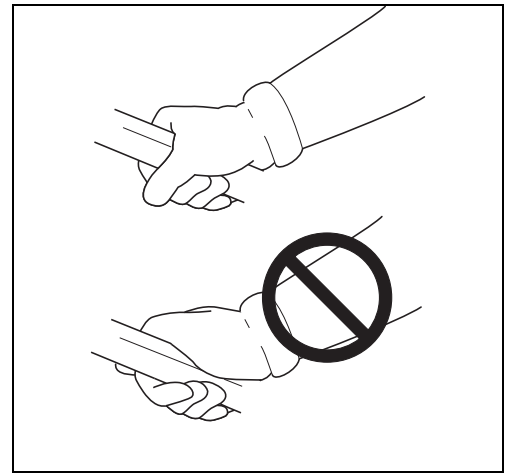


### Repetitive Stress Injuries (RSI)

It is believed that overusing the muscles and tendons of the fingers, hands, arms, and shoulders may cause soreness, swelling, numbness, weakness, and extreme pain in those areas. Certain repetitive hand activities may put you at a high risk for developing a Repetitive Stress Injury (RSI). An extreme RSI condition is Carpal Tunnel Syndrome (CTS), which could occur when your wrist swells and squeezes a vital nerve that runs through the area. Some believe that prolonged exposure to vibration may contribute to CTS. CTS can cause severe pain for months or even years.

To reduce the risk of RSI/CTS, do the following:

- Avoid using your wrist in a bent, extended, or twisted position. Instead try to maintain a straight wrist position. Also, when grasping, use your whole hand, not just the thumb and index finger.
- Take periodic breaks to minimize repetition and rest your hands.
- Reduce the speed and force with which you do the repetitive movement.
- Do exercise to strengthen the hand and arm muscles.
- Immediately stop using all power equipment and consult a doctor if you feel tingling, numbness, or pain in the fingers, hands, wrists, or arms. The sooner RSI/CTS is diagnosed, the more likely permanent nerve and muscle damage can be prevented.



### **⚠ DANGER**

***All over head electrical conductors and communications wires can have electricity flow with high voltages. This unit is not insulated against electrical current. Never touch wires directly or indirectly, otherwise serious injury or death may result.***

### **⚠ DANGER**

***Do not operate this product indoors or in inadequately ventilated areas. Engine exhaust contains poisonous emissions and can cause serious injury or death.***

### Read the Manual

- Provide all users of this equipment with the Operator's Manual for instructions on Safe Operation.

### Clear the Work Area

- Clear the area of children, bystanders, and pets. At a minimum, keep all children, bystanders, and pets outside a 15 m (50 ft) radius; outside the 15 m (50 ft) zone, there is still a risk of injury from thrown objects. Bystanders should be encouraged to wear eye protection. If you are approached, stop the engine.
- Avoid blowing debris towards people, pets, open windows, or vehicles when using unit.
- Review area to be cleared. Look for potential hazards such as stones or metal objects.

### Keep a Firm Grip

- Hold the handle in one hand, with thumb and fingers encircling the handle.

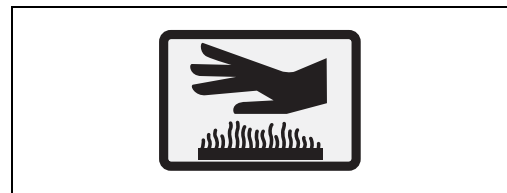


### Keep a Solid Stance

- Maintain footing and balance at all times. Do not stand on slippery, uneven or unstable surfaces. Do not work in odd positions or on ladders. Do not over reach.

### Avoid Hot Surfaces

- Keep exhaust area clear of flammable debris. Avoid contact during and immediately after operation.



## Equipment

### ⚠ WARNING

***Use only Shindaiwa attachments. Serious injury may result from the use of a non-approved attachment combination. ECHO, INC. will not be responsible for the failure of cutting devices, attachments or accessories which have not been tested and approved by ECHO, INC. Read and comply with all safety instructions listed in this manual.***

- Check unit for loose/missing nuts, bolts, and screws. Tighten and/or replace as needed.
- Do not use blower if any part is missing or damaged.
- Have repairs done only by an authorized service dealer.

### ⚠ WARNING

***Moving parts can amputate fingers or cause severe injuries. Keep hands, clothing and loose objects away from all openings.***

- ***ALWAYS stop engine, disconnect spark plug, and make sure all moving parts have come to a complete stop before removing obstructions, clearing debris, or servicing unit.***
- ***DO NOT start or operate unit unless all guards and protective covers are properly assembled to unit.***
- ***NEVER reach into any opening while the engine is running. Moving parts may not be visible through openings.***

### ⚠ WARNING

***Check fuel system for leaks due to fuel tank damage, especially if the unit is dropped. If damage or leaks are found, do not use unit, otherwise serious personal injury or property damage may occur. Have unit repaired by an authorized servicing dealer before using.***

## EMISSION CONTROL (EXHAUST & EVAPORATIVE)

### EPA 2010 and Later and/or C.A.R.B. TIER III

The emission control system for the engine is EM (engine modification) and, if the second to last character of the Engine Family on the Emission Control Information label (sample below) is “C”, “K”, or “T”, the emission control system is EM and TWC (3-way catalyst). The fuel tank/fuel line emission control system is EVAP (evaporative emissions). Evaporative emissions for California models are only applicable to fuel tanks.

**An Emission Control Label** is located on the engine. (This is an EXAMPLE ONLY, information on label varies by engine FAMILY).

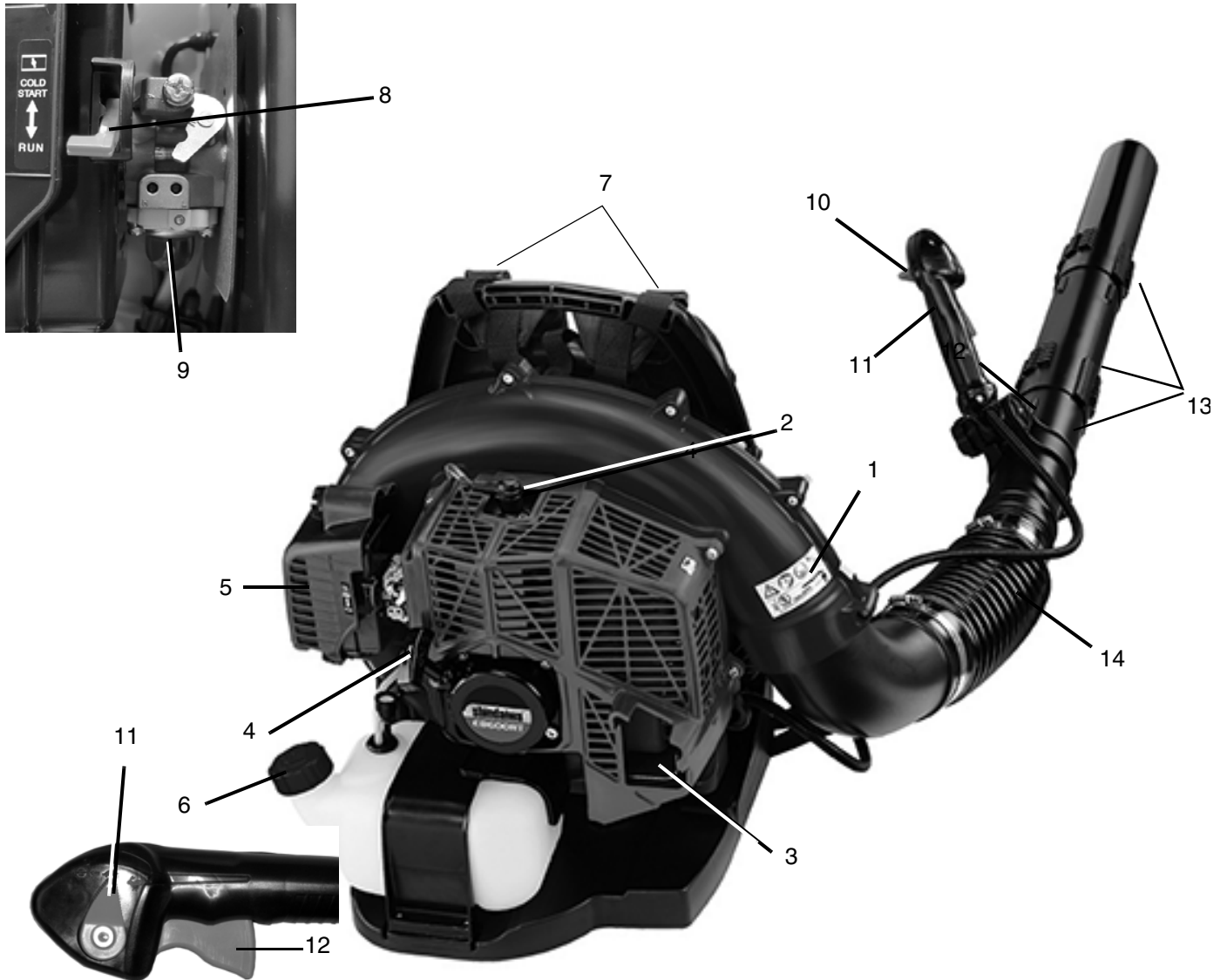
### Product Emission Durability (Emission Compliance Period)

The 50 or 300 hour emission compliance period is the time span selected by the manufacturer certifying the engine emissions output meets applicable emissions regulations, provided that approved maintenance procedures are followed as listed in the Maintenance Section of this manual.



### DESCRIPTION

Locate the safety decal(s) on your unit. Make sure the decal(s) is legible and that you understand and follow the instructions on it. If a decal cannot be read, a new one can be ordered from your Shindaiwa dealer. See PARTS ORDERING instructions for specific information.



Hot Decal



Sound Label



Safety Decal



1. **SAFETY DECAL** - Lists important safety precautions.
2. **SPARK PLUG** - Provides spark to ignite fuel mixture.
3. **SPARK ARRESTOR - CATALYTIC MUFFLER / MUFFLER** - The muffler or catalytic muffler controls exhaust noise and emission. The spark arrestor screen prevents hot, glowing particles of carbon from leaving the muffler. Keep exhaust area clear of flammable debris.
4. **RECOIL STARTER HANDLE** - Pull recoil handle slowly until recoil starter engages, then quickly and firmly. When engine starts, return handle slowly. DO NOT let handle snap back or damage to unit will occur.
5. **AIR CLEANER** - Contains replaceable air filter element.
6. **FUEL TANK CAP** - Covers and seals fuel tank.
7. **SHOULDER HARNESS** - Used to support unit on operator's back. The straps are adjustable.
8. **CHOKE** - Move lever UP to close choke ( |←| ) (COLD START position) and for emergency stopping. Move DOWN to open choke ( |↑| ) (RUN position).
9. **PURGE BULB** - Pumping purge bulb before starting engine draws fresh fuel from the fuel tank, purging air from the carburetor. Pump purge bulb until fuel is visible and flows freely in the clear fuel tank return line. Pump purge bulb an additional 4 or 5 times.
10. **HANDLE** - Used by operator to direct and control air flow.
11. **THROTTLE POSITION LEVER** - Combination stop switch and variable speed throttle lever. When the lever is moved all the way backward, the blower is at Wide Open Throttle (W.O.T.). When the lever is moved forward to detent, the blower is at idle. When the lever is moved forward past the idle detent the blower will stop.
12. **THROTTLE TRIGGER** - Spring - loaded Throttle Trigger controls engine speed. Releasing Trigger returns engine to speed set by Throttle Lever. Always release trigger and allow engine to return to idle before shutting off with Throttle Lever. Use Throttle Trigger to vary blower speed settings for intermittent operation.
13. **BLOWER PIPES** - Exclusive positive locking system.
14. **FLEXIBLE PIPE** - Allows for full range of movement.

## CONTENTS

The Shindaiwa product you purchased has been factory pre-assembled for your convenience. Due to packaging restrictions, some assembly may be necessary.

After opening the carton, check for damage. Immediately notify your retailer or Shindaiwa Dealer of damaged or missing parts. Use the contents list to check for missing parts.

- \_\_\_ 1 - Power Head
- \_\_\_ 1 - Flex Pipe
- \_\_\_ 1 - Pipe w/swivel
- \_\_\_ 1 - Straight Pipe
- \_\_\_ 1 - Straight Pipe w/decal
- \_\_\_ 1 - Operator's Manual
- \_\_\_ 1 - Emissions Control Warranty Statement
- \_\_\_ 2 - Clamps w/screws



## ASSEMBLY

**⚠ WARNING**

*Never perform maintenance or assembly procedures with engine running or serious personal injury may result.*

**Install Blower Pipes**

1. Assemble clamps (A) onto both ends of flexible pipe (B).

Note: Clamp with cable guide loop (G) fits elbow end of flexible pipe (B).

2. Assemble flexible pipe (B) to elbow (D) on blower. Position guide loop (G) on outside of flexible tube and tighten clamp (A).

Note: A light lubricant may be used to ease assembly of flexible pipe to blower elbow.

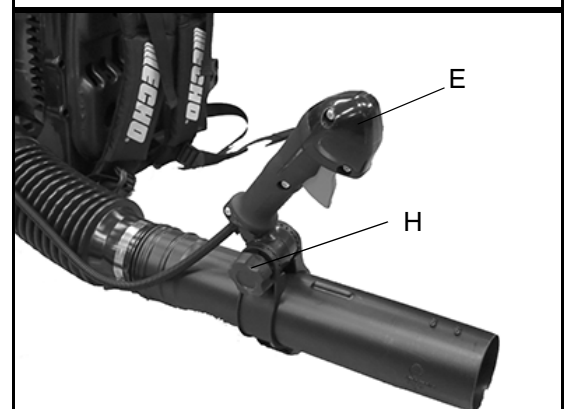
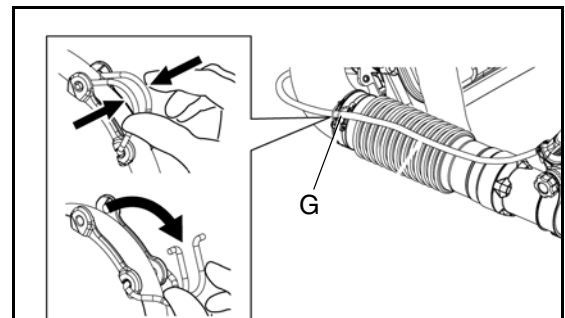
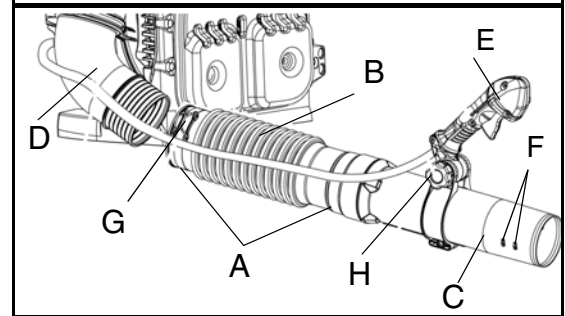
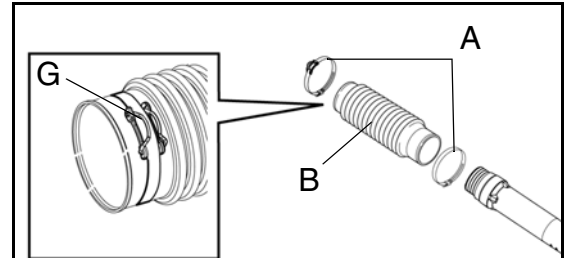
Note: Hang handle freely from blower to assure throttle cable is not twisted before installing handle (E).

3. Position cable along the outside of elbow (D). Loosen knob (H) on handle (E). Align notch in handle with tabs (F). Install onto swivel pipe (C) past long ridges in pipe.

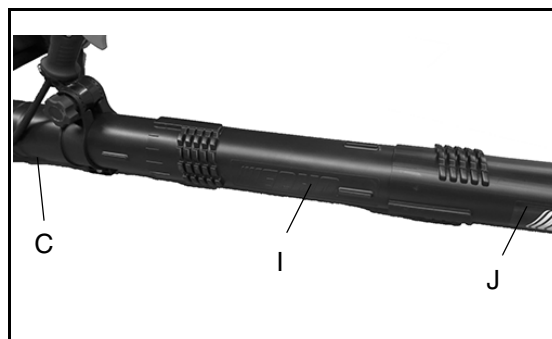
4. Assemble swivel pipe (C) into flexible pipe (B) and tighten clamp (A).

5. Clip throttle cable into throttle cable guide loop (G).

6. Move handle (E) to desired position. Tighten knob (H) hand tight.



7. Assemble straight pipe (I) onto swivel pipe (C), until you feel light resistance. Do not force connection. Hold swivel pipe and turn straight pipe clockwise, engaging positive locking channels, until connection is firm. Do not force connection.
8. Assemble straight pipe with decal (J) to straight pipe (I) as in step 8.



Note: Blower use will eventually loosen pipe connections. Exclusive positive locking system allows pipes to be tightened. If loosening occurs, remove two straight pipes and install according to instructions 8 & 9.



For more information scan this QR code.

## OPERATION

### ⚠ WARNING

***Moving parts can amputate fingers or cause severe injuries. Keep hands, clothing and loose objects away from all openings. Always stop engine, disconnect spark plug, and make sure all moving parts have come to a complete stop before removing obstructions, clearing debris, or servicing unit. Blower housing may contain shredder blades and other sharp edges that can cause serious injuries if touched, even if engine is off and blades are not moving. Wear gloves to protect hands from sharp edges and hot surfaces.***

### ⚠ WARNING

***Operation of this equipment may create sparks that can start fires. This unit is equipped with a spark arrestor to prevent discharge of hot particles from the engine. Metal cutters can also create sparks if the cutter strikes rocks, metal, or other hard objects. Contact local fire authorities for laws or regulations regarding fire prevention requirements.***

## Fuel

### ⚠ WARNING

***Alternative fuels, such as E15 (15% ethanol), E-85 (85% ethanol) or any fuels not meeting Shindaiwa requirements are NOT approved for use in Shindaiwa gasoline engines. Use of alternative fuels may cause performance problems, loss of power, overheating, fuel vapor lock, and unintended machine operation, including, but not limited to, improper clutch engagement. Alternative fuels may also cause premature deterioration of fuel lines, gaskets, carburetors and other engine components.***

## Fuel Requirements

**Gasoline** - Use 89 Octane [R+M/2] (mid grade or higher) gasoline known to be good quality. Gasoline may contain up to 10% Ethanol (grain alcohol) or 15% MTBE (methyl tertiary-butyl ether). Gasoline containing methanol (wood alcohol) is NOT approved. ECHO brand Power Fuel™ is 93 octane, ethanol-free fuel premixed with ECHO Red Armor® engine oil at 50:1 ratio. Use of ECHO Power Fuel™ is recommended to extend engine life in all air-cooled 2-stroke and 2/4-stroke hybrid engines.

**Two Stroke Mixture Oil** - A 2-stroke engine oil meeting ISO-L-EGD (ISO/CD 13738) and J.A.S.O. M345/FD standards must be used. Shindaiwa Red Armor™ 2-Stroke Oil is strongly recommended as it meets this standard and is specifically formulated for use in all Shindaiwa 2-stroke engines. Engine problems due to inadequate lubrication caused by failure to use an ISO-L-EGD (ISO/CD 13738) and J.A.S.O. M345-FD certified oil will void the engine warranty.

## NOTICE

*Shindaiwa Red Armor™ engine oil may be mixed at 50:1 ratio for application in all Shindaiwa engines sold in the past, regardless of ratio specified in those manuals.*

### Handling Fuel

## ⚠ DANGER

**Fuel is VERY flammable. Use extreme care when mixing, storing or handling, or serious personal injury may result.**

- **Use an approved fuel container.**
- **DO NOT smoke near fuel.**
- **DO NOT allow flames or sparks near fuel.**
- **Fuel tanks/cans may be under pressure. Always loosen fuel caps slowly allowing pressure to equalize.**
- **NEVER refuel a unit when the engine is HOT or RUNNING!**
- **DO NOT fill fuel tanks indoors. ALWAYS fill fuel tanks outdoors over bare ground.**
- **DO NOT overfill fuel tank. Wipe up spills immediately.**
- **Securely tighten fuel tank cap and close fuel container after refueling.**
- **Inspect for fuel leakage. If fuel leakage is found, do not start or operate unit until leakage is repaired.**
- **Move at least 3 m (10 ft.) from refueling location before starting the engine.**

### Mixing Instructions

1. Fill an approved fuel container with half of the required amount of gasoline.
2. Add the proper amount of engine oil to gasoline.
3. Close container and shake to mix oil with gasoline.
4. Add remaining gasoline, close fuel container, and remix.

| Fuel to Oil Mix - 50:1 Ratio |     |        |     |
|------------------------------|-----|--------|-----|
| US                           |     | Metric |     |
| Gas                          | Oil | Gas    | Oil |
| Gallons                      | Oz. | Liter  | CC. |
| 1                            | 2.6 | 5      | 100 |
| 2                            | 5.2 | 10     | 200 |
| 5                            | 13  | 25     | 500 |

## NOTICE

*Spilled fuel is a leading cause of hydrocarbon emissions. Some states may require the use of automatic fuel shut-off containers to reduce fuel spillage.*

### After use



- DO NOT store a unit with fuel in its tank. Leaks can occur. Return unused fuel to an approved fuel storage container.

**Storage** - Fuel storage laws vary by locality. Contact your local government for the laws affecting your area. As a precaution, store fuel in an approved, airtight container. Store in a well-ventilated, unoccupied building, away from sparks and flames.

### NOTICE

Stored fuel ages. Do not mix more fuel than you expect to use in thirty (30) days, ninety (90) days when a fuel stabilizer is added.

### NOTICE

Stored two-stroke fuel may separate. ALWAYS shake fuel container thoroughly before each use.

## Starting Cold Engine

- Recoil starter: Use short pulls - only 1/2- 2/3 of rope length for starting. Do not allow the rope to snap back in. Always hold the unit firmly.

### 1. Throttle Lever

Move throttle lever (A) to IDLE position.

### 2. Choke

Move choke (B) UP to COLD START (|←|) position.

### 3. Purge Bulb

Pump purge bulb (C) until fuel is visible. Pump bulb an additional 4 or 5 times.

### 4. Recoil Starter

Pull recoil starter handle (D) until engine fires, or a maximum of 5 pulls

### 5. Choke

After engine fires (or 5 pulls), move choke lever back to RUN (|↑|) position, then pull starter handle/rope until engine starts and runs. Allow unit to warm up at idle for several minutes.

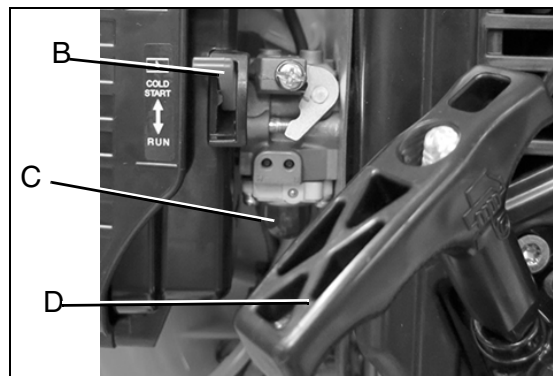
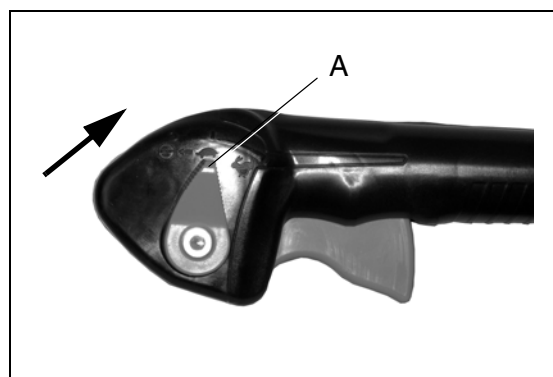
Note: If engine does not start with choke in "RUN" position after 5 pulls, move choke to COLD START (|←|) position, and repeat steps 3- 5.

### 6. Throttle Lever

Allow engine to warm up for several minutes before use.

### 7. Throttle Lever

After engine warm-up, squeeze throttle trigger, then move throttle lever to set desired operating speed.



## Starting Warm Engine

The starting procedure is the same as Cold Start except DO NOT close the choke.

### 1. Throttle Lever

Move throttle position lever (A) to IDLE position.

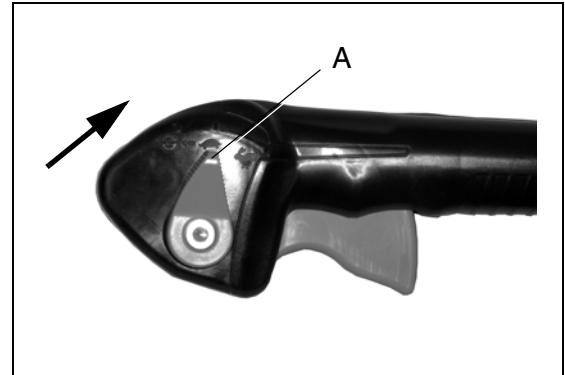
### 2. Purge Bulb

Pump purge bulb (C) until fuel is visible. Pump bulb an additional 4 or 5 times.

### 3. Recoil Starter

Pull recoil starter handle (D) and engine should start. Do not use choke (B)

Note: If engine does not start after 5 pulls, use cold start procedures.



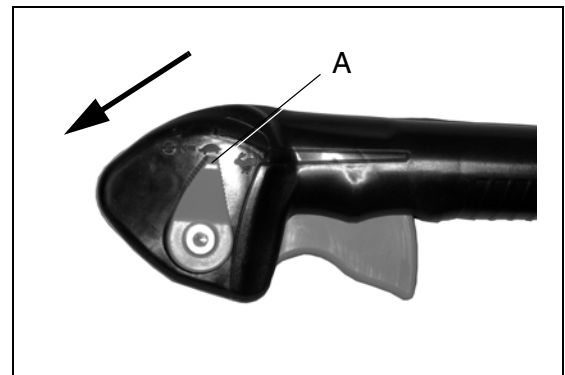
## Stopping Engine

### 1. Throttle Lever

Release throttle trigger. Move Throttle Lever (A) forward to idle position and allow engine to return to idle before shutting off engine.

### 2. Throttle Lever

Move Throttle Lever (A) all the way forward to STOP position.



### ⚠ WARNING

**If engine does not stop when stop switch is moved to STOP position, close choke - COLD START position - to stall engine. Have your Shindaiwa dealer repair stop switch before using unit again.**

## Operating Blower

### ⚠ WARNING

**Engine exhaust IS HOT, and contains Carbon Monoxide (CO), a poison gas. Breathing CO can cause unconsciousness, serious injury, or death. Exhaust can cause serious burns. ALWAYS position unit so that exhaust is directed away from your face and body.**

### ⚠ WARNING

**Always wear safety glasses, hearing protection and a face filter mask or serious personal injury may result. Do not point the blower pipe in the direction of people or pets.**

**NOTICE**

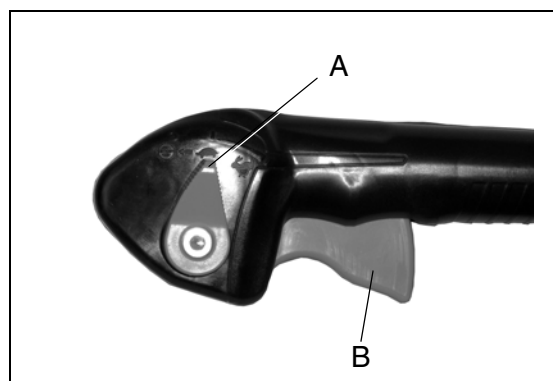
Use reduced speed only when performing light-duty tasks or to comply with local noise regulations. Continuous low speed operation may allow fuel/oil residue to build-up on the piston and cause rapid build-up of carbon on the spark arrestor screen, resulting in overheating and engine damage. To reduce harmful build-up, run engine at wide open throttle for at least 5 minutes every hour, and inspect/clean the spark arrestor screen after approximately 40 hours of operation.

**Read the Safety Section carefully.**

**NOTICE**

To avoid engine damage due to over-revving, do not block blower pipe.

1. Use only during appropriate hours. Contact your local government for the ordinances affecting your area.
2. To reduce sound levels, limit the number of pieces of equipment used at any one time.
3. Allow the engine to warm up at a fast idle for a few minutes.
4. Control engine speed with throttle trigger (B), or for continuous use, set engine speed with throttle lever (A).
5. Use lower speed to blow dry leaves from walks, patios and drives. Use rakes and brooms to loosen debris before blowing.



6. Additional speed may be necessary to clean grass and leaves from a lawn or flower bed.
7. Higher speed may be necessary to move gravel, dirt, snow, bottles or cans from a driveway, street, parking lot or stadium.
8. Always stop unit using stop engine procedure.



For more information scan this QR code.

Note: Never use a higher speed setting than necessary to perform a task. Remember, the higher the engine speed, the louder the blower noise.

9. Minimize dust by using blower at lower speeds or dampen surface with water. Blower can be used to clean most surfaces when water conservation is desired.
10. Use the full blower pipe configuration when blowing.
11. After using blowers and other equipment, CLEAN UP! Dispose of debris in trash receptacles.

**⚠ CAUTION**

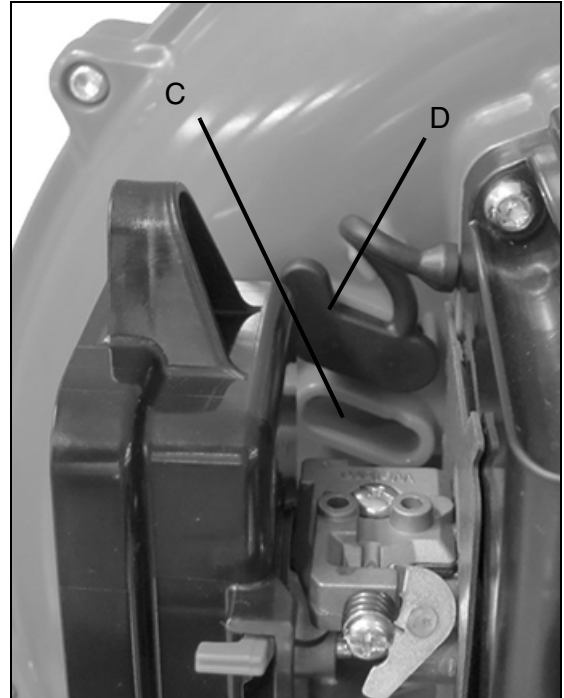
**Contacting blower pipe tip on abrasive surfaces can create sharp cutting edges and can result in personal injury if touched. Do not scrape or drag blower pipe tip when operating or transporting unit. Replace blower pipe assembly if protective metal ring is worn, cracked or deformed.**

## Cold Weather Operation

### Plug

For operation in cold weather, install plug in cold weather position (D), otherwise icing can occur.

For operation in normal weather, install plug in warm weather position (C), otherwise over heating can occur.

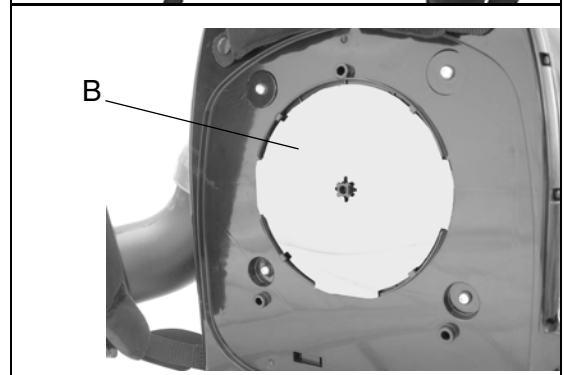
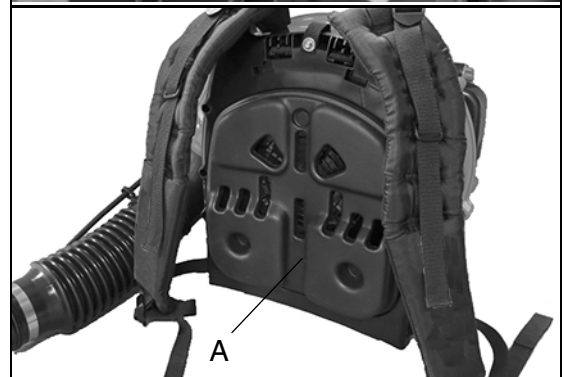


### Intake Cover (optional)

In cold weather, intake cover can be installed for operator comfort. Intake cover is not included.

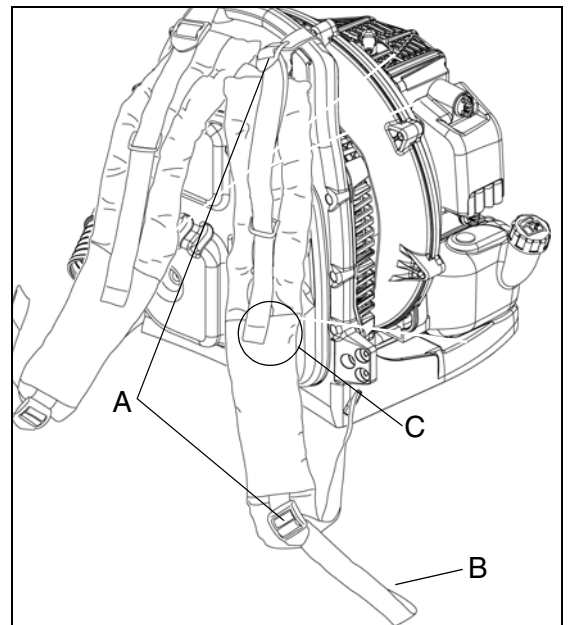
1. Remove back cushion (A) from frame.
2. Install intake cover (B) on frame over air intake.
3. Install back cushion (A) to frame over intake cover.

Note: Blower performance may be reduced slightly.



## Adjust the Harness

1. Loosen upper and lower buckles (A), then put blower on your back.
2. Pull strap (B) downward to adjust position of blower.
3. Pull (C) to adjust angle between your back and the blower.



MAINTENANCE

**⚠ WARNING**

*Moving parts can amputate fingers or cause severe injuries. Keep hands, clothing and loose objects away from all openings. Always stop engine, disconnect spark plug, and make sure all moving parts have come to a complete stop before removing obstructions, clearing debris, or servicing unit. Allow unit to cool before performing service. Wear gloves to protect hands from sharp edges and hot surfaces.*

Your SHINDAIWA unit is designed to provide many hours of trouble free service. Regular scheduled maintenance will help your unit achieve that goal. If you are unsure or are not equipped with the necessary tools, you may want to take your unit to an SHINDAIWA Service Dealer for maintenance. To help you decide whether you want to DO-IT-YOURSELF or have the SHINDAIWA Dealer do it, each maintenance task has been graded. If the task is not listed, see your SHINDAIWA Dealer for repairs.

**Skill Levels**

**Level 1** = Easy to do. Common tools may be required.

**Level 2** = Moderate difficulty. Some specialized tools may be required.

**Maintenance Intervals**

| COMPONENT/SYSTEM       | MAINTENANCE PROCEDURE   | REQ'D SKILL LEVEL | DAILY OR BEFORE USE | EVERY REFUEL | 3 MONTHS    | YEARLY  |
|------------------------|-------------------------|-------------------|---------------------|--------------|-------------|---------|
| Air Filter             | Inspect/Clean           | 1                 | I / C *             |              | R *         |         |
| Choke Shutter          | Inspect/Clean           | 1                 | I / C               |              |             |         |
| Fuel Filter            | Inspect/Replace         | 1                 |                     |              | I *         | I / R * |
| Fuel Cap Gasket        | Inspect/Replace         | 1                 |                     |              | I *         | R *     |
| Fuel System            | Inspect/Replace         | 1                 | I (1) *             | I (1) *      |             |         |
| Spark Plug             | Inspect/Clean/Replace   | 1                 |                     |              | I / C / R * |         |
| Cooling System         | Inspect/Clean           | 2                 | I / C               |              |             |         |
| Muffler Spark Arrestor | Inspect/Clean/Replace   | 2                 |                     |              | I / C / R * |         |
| Cylinder Exhaust Port  | Inspect/Clean/Decarbon  | 2                 |                     |              | I / C       |         |
| Recoil Starter Rope    | Inspect/Clean           | 1                 | I / C *             |              |             |         |
| Screws/Nuts/Bolts      | Inspect/Tighten/Replace | 1                 | I *                 |              |             |         |

**MAINTENANCE PROCEDURE LETTER CODES: I = INSPECT, R = REPLACE, C = CLEAN**

**IMPORTANT NOTE** - Time intervals shown are maximum. Actual use and your experience will determine the frequency of required maintenance.

**MAINTENANCE PROCEDURE NOTES:**

(1) Low evaporative fuel tanks DO NOT require regular maintenance to maintain emission integrity.

\* Replacement is recommended based on the finding of damage or wear during inspection.

## Air Filter

### Level 1.

Parts Required: REPOWER™ Tune Up Kit.

1. CLOSE choke (COLD START [ |←| ] position). This prevents dirt from entering the carburetor throat when the air filter is removed. Brush accumulated dirt from air cleaner area.
2. Remove air filter cover. Brush dirt from inside cover.
3. Remove air filter and lightly brush debris from filter. Replace filter if it is damaged, fuel soaked, very dirty, or the rubber sealing edges are deformed.
4. If filter can be reused, be certain it:
  - Fits tightly in the air filter cavity
  - Is installed with the original side out
5. Install air filter cover.



## Fuel Filter

### Level 1.

Parts Required: REPOWER™ TUNE UP KIT.

### **⚠ DANGER**

***Fuel is VERY flammable. Use extreme care when mixing, storing or handling, or serious personal injury may result.***

1. Use a clean rag to remove loose dirt from around fuel cap and empty fuel tank.
2. Use a hook to pull the fuel line and filter from the tank.
3. Remove the filter from the line and install the new filter.



Note: Federal EPA regulations require all model year 2012 and later gasoline powered engines produced for sale in the United States to be equipped with a special low permeation fuel supply hose between the carburetor and fuel tank. When servicing model year 2012 and later equipment, only fuel supply hoses certified by EPA can be used to replace the original equipment supply hose. Fines up to \$37,500 may be enforced for using an un-certified replacement part.

## Spark Plug

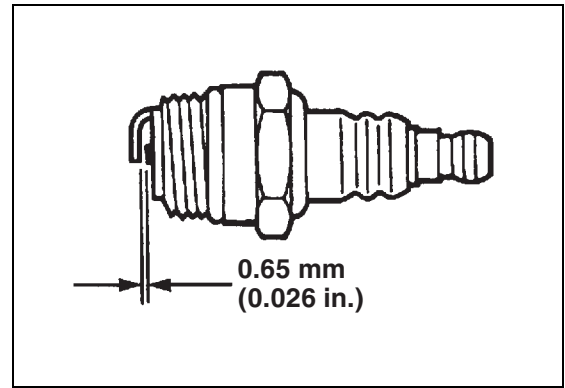
### Level 2.

Parts Required: REPOWER™ Tune-Up Kit

### NOTICE

*Use only NGK BPM-8Y spark plug (BPMR-8Y in Canada) otherwise severe engine damage may occur.*

1. Remove spark plug and check for fouling, worn and rounded center electrode.
2. Clean the plug or replace with a new one. DO NOT sand blast to clean. Remaining sand will damage engine.
3. Adjust spark plug gap by bending outer electrode.
4. Tighten spark plug to 150-170 kgf • cm (130-150 in • lbf).



## Cooling System

### Level 2.

Parts Required: None if you are careful.

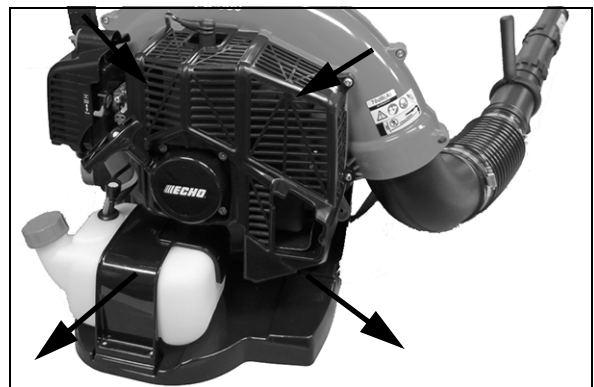
### NOTICE

*To maintain proper engine operating temperatures, cooling air must pass freely through the cylinder fin area. This flow of air carries combustion heat away from the engine.*

Overheating and engine seizure can occur when:

- Air intakes are blocked, preventing cooling air from reaching the cylinder.
- Dust and grass build up on the outside of the cylinder. This build up insulates the engine and prevents the heat from leaving.

Removal of cooling passage blockages or cleaning of cooling fins is considered "Normal Maintenance." Any failure attributed to lack of maintenance is not warranted.



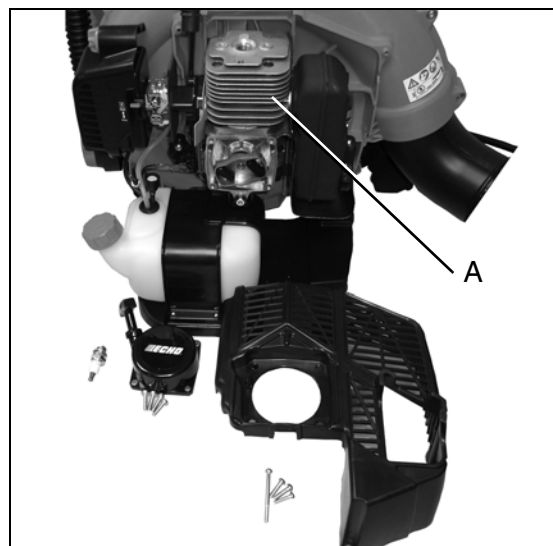
### Cleaning Grill

1. Brush accumulated debris from intake grill between backpack frame and blower housing.



### Cleaning Cylinder Fins

1. Remove spark plug.
2. Remove starter
3. Remove engine cover.
4. Clean cylinder fins (A) to allow cooling air to pass freely
5. Assemble components in reverse order.



### Exhaust System

#### Spark Arrestor Screen

##### Level 2.

Parts Required: Spark Arrestor Screen, Gasket

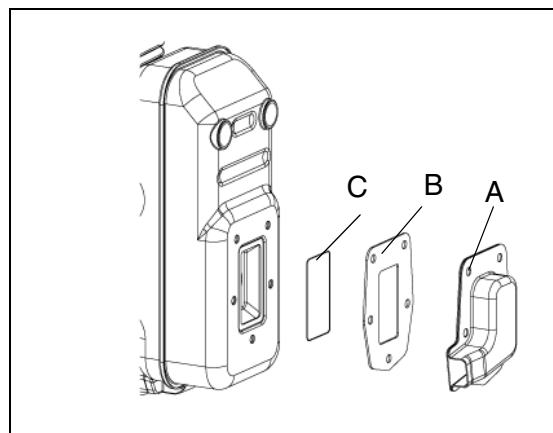
### NOTICE

*Carbon deposits in muffler will cause a drop in engine output and overheating. Spark arrestor screen must be checked periodically.*

1. Remove spark plug.
2. Remove starter
3. Remove engine cover.
4. Place piston at Top Dead Center (TDC) to prevent carbon/dirt from entering cylinder.
5. Remove spark arrestor cover (A), gasket (B) and spark arrestor screen (C) from muffler.
6. Clean carbon deposits from muffler components.

Note: When cleaning carbon deposits, be careful not to damage the catalytic element inside muffler.

7. Replace screen if it is cracked, plugged, or has holes burned through.
8. Replace gasket.
9. Assemble components in reverse order.

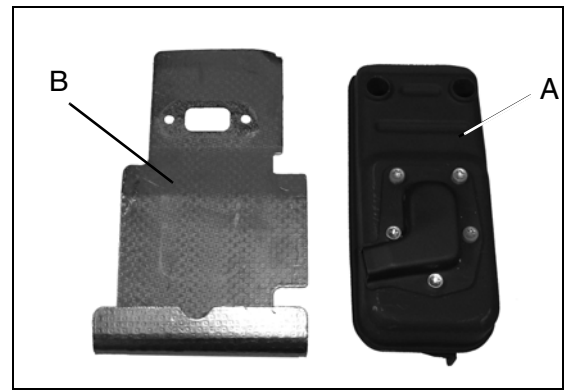


**Exhaust Port Cleaning**

**Level 2.**

Parts Required: Heat shield

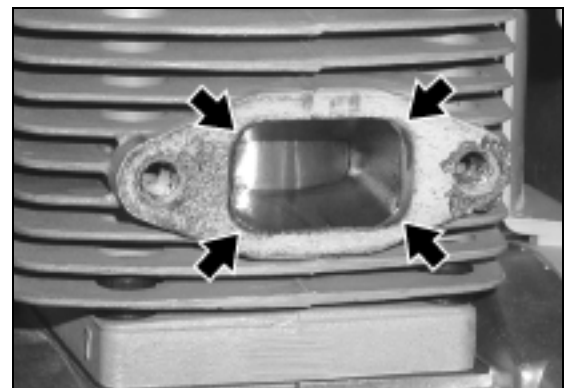
1. Remove spark plug.
2. Remove starter
3. Remove engine cover.
4. Place piston at top dead center. Remove muffler (A) heat shield (B).
5. Use a wood or plastic scraping tool to clean deposits from cylinder exhaust port.



**NOTICE**

*Never use a metal tool to scrape carbon from the exhaust port. Do not scratch the cylinder or piston when cleaning the exhaust port. Do not allow carbon particles to enter the cylinder.*

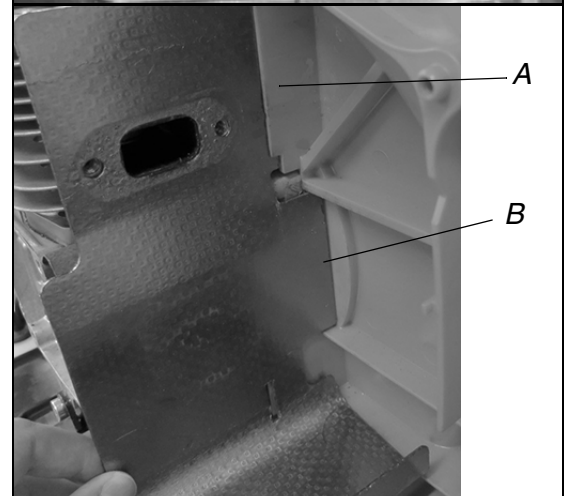
6. Replace heat shield.



**NOTICE**

*Assure heat shield is installed correctly behind rib (A) and in front of rib (B) in fan case.*

7. Install muffler.
8. Tighten muffler mounting bolts (or nuts) to 90-110 kgf • cm (80-95 in • lbf).
9. Assemble components in reverse order.
10. Start engine, and warm to operating temperature.
11. Stop engine, and re-tighten mounting bolts (or nuts) to specifications.



## Carburetor Adjustment

### Engine Break-In

New engines must be operated a minimum duration of two tanks of fuel break-in before carburetor adjustments can be made. During the break-in period your engine performance will increase and exhaust emissions will stabilize. Idle speed can be adjusted as required.

### High Altitude Operation

This engine has been factory adjusted to maintain satisfactory starting, emission, and durability performance up to 1,100 feet above sea level (ASL) (96.0 kPa). To maintain proper engine operation and emission compliance above 1,100 feet ASL the carburetor may need to be adjusted by an authorized service dealer.

### NOTICE

*If the engine is adjusted for operation above 1,100 feet ASL, the carburetor must be re-adjusted when operating the engine below 1,100 feet ASL, otherwise severe engine damage may result.*

### Level 2.

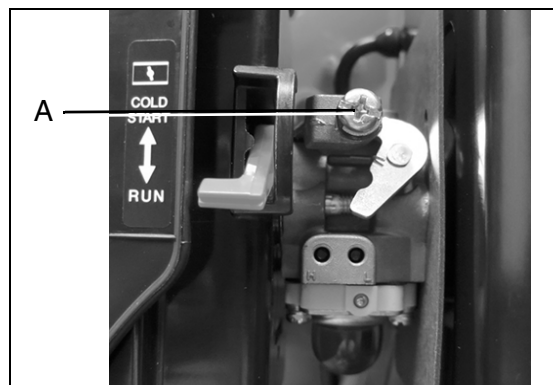
Parts Required: None

Note: Every unit is run at the factory and the carburetor is set in compliance with emission regulations. Carburetor adjustments, other than idle speed, must be performed by an authorized dealer.

### Idle Adjustment

Before adjustment make sure that:

- Air filter is clean and properly installed.
  - Spark arrestor screen and muffler are free of carbon.
  - Blower pipes are installed.
1. Start engine, run at idle for one minute.
  2. Complete warm up by running at full throttle for 5 minutes, operating choke twice to clear air from carburetor chambers.
  3. Check idle speed and reset if necessary. If a tachometer is available, idle speed screw (A) should be set to the specifications found on "Specifications" Page of this manual. Turn idle screw (A) clockwise to increase idle speed; counter clockwise to decrease idle speed.

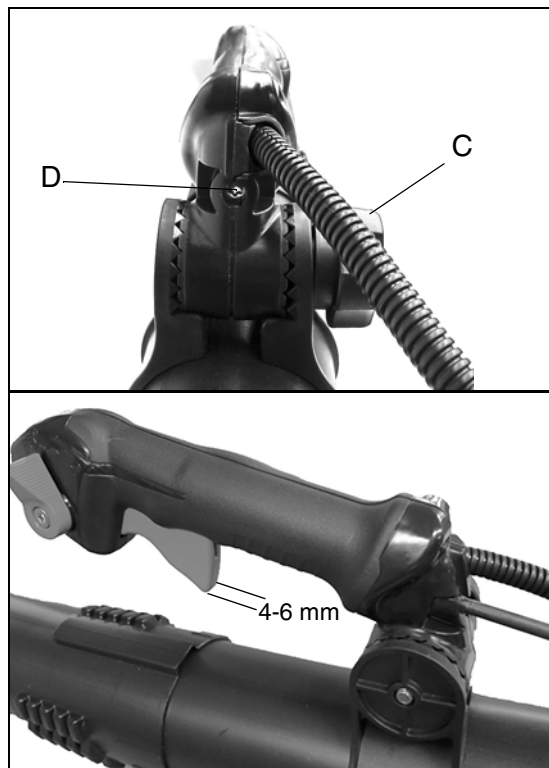


## Throttle Cable Adjustment

### Level 1

If engine idle speed changes when blower pipe is moved, or engine will not reach full wide open throttle speed, adjust throttle cable.

1. Loosen handle adjustment knob (C) and tilt Tube Throttle handle forward to expose Adjustment Screw (D).
2. Turn Adjustment Screw until Throttle Trigger free play is 4 - 6 mm (3/16-1/4 in.).
3. After adjustment, squeeze and release Throttle Trigger several times to verify Carburetor Throttle Shaft has full range of movement from idle to wide open throttle positions.



## TROUBLESHOOTING

| ENGINE PROBLEM TROUBLESHOOTING CHART                  |                               |  |  |   |
|---|-------------------------------|--|--|---|
| Problem   | Check                         | Status   | Cause  | Remedy  |
| Engine cranks - starts hard/ doesn't start            | Fuel at carburetor            | No fuel at carburetor  | Fuel strainer clogged<br>Fuel line clogged<br>Carburetor                             | Clean or replace<br>Clean or replace<br>See your Shindaiwa dealer           |
|   | Fuel at cylinder              | No fuel at cylinder  | Carburetor   | See your Shindaiwa dealer   |
|   |                               | Muffler wet with fuel  | Fuel Mixture too rich  | Open choke<br>Clean/replace air filter<br>See your Shindaiwa dealer         |
|   | Spark at end of plug wire     | No spark   | Stop switch OFF<br>Electrical problem<br>Interlock switch                            | Turn switch to ON<br>See your Shindaiwa dealer<br>See your Shindaiwa dealer |
| Spark at plug   | No spark                      | Spark gap incorrect<br>Covered with carbon<br>Fouled with fuel<br>Plug defective | Adjust to 0.65mm (0.026 in.)<br>Clean or replace<br>Clean or replace<br>Replace plug |   |
| Engine runs, but dies or does not accelerate properly | Air filter                    | Air filter dirty   | Normal wear  | Clean or replace  |
|   | Fuel filter                   | Fuel filter dirty  | Contaminants/residues in fuel  | Replace   |
|   | Fuel vent                     | Fuel vent plugged  | Contaminants/residues in fuel  | Clean or replace  |
|   | Spark Plug                    | Plug dirty/worn  | Normal wear  | Clean and adjust or replace   |
|   | Carburetor                    | Improper adjustment  | Vibration  | See Your Shindaiwa Dealer   |
|   | Cooling System                | Cooling system dirty/plugged   | Extended operation in dirty/dusty locations  | Clean   |
| Spark Arrestor Screen                                 | Spark arrestor screen plugged | Normal wear  | Replace  |   |
| Engine does not crank                                 | N/A                           | N/A  | Internal engine problem  | See your Shindaiwa dealer   |
| Engine runs, blower doesn't work or is weak/uneven    | Blower pipe                   | Pipe clogged   | Build-up of debris   | Unclog  |
|   |                               | Pipe loose   | Vibration  | Tighten   |
|   |                               | Pipe damaged   | Wear/Misuse  | Replace   |

**⚠ DANGER**

***Fuel vapors are extremely flammable and may cause fire and/or explosion. Never test for ignition spark by grounding spark plug near cylinder plug hole, otherwise serious personal injury may result.***

---

## STORAGE

---

### WARNING

*During operation the muffler or catalytic muffler and surrounding cover become hot. Always keep exhaust area clear of flammable debris during transportation or when storing, otherwise serious property damage or personal injury may result.*

### Long Term Storage (Over 30 Days)

Do not store your unit for a prolonged period of time (30 days or longer) without performing protective storage maintenance which includes the following:

1. Store unit in a dry, dust free place, out of the reach of children.

### DANGER

*Do not store in enclosure where fuel fumes may accumulate or reach an open flame or spark.*

2. Place the stop switch in the "OFF" position.
3. Remove accumulation of grease, oil, dirt and debris from exterior of unit.
4. Perform all periodic lubrication and services that are required.
5. Tighten all the screws and nuts.
6. Drain fuel tank completely. Press purge bulb 6 -7 times to remove remaining fuel from carburetor then drain the tank again. Close choke, start and run the engine until it stops due to lack of fuel.
7. Allow engine to cool then remove the spark plug and pour 7 cc (1/4 oz.) of fresh, clean, two-stroke engine oil into the cylinder through the spark plug hole.
8. Pull the recoil starter handle 2-3 times to distribute the oil inside the engine.
9. Observe the piston location through the spark plug hole. Pull the recoil handle slowly until the piston reaches the top of its travel and leave it there.
10. Install the spark plug (do not connect ignition cable).
11. Remove blower pipe assembly from unit.

## SPECIFICATIONS

| MODEL   | EB600RT  |
|---|--|
| Length (w/o pipes)                                | 379 mm (14.92in.)  |
| Width (w/o pipes)                                 | 478 mm (18.82 in.)   |
| Height (w/o pipes)                                | 459 mm (18.07 in.)   |
| Weight (dry) (w/o pipes)                          | 10.3 kg (22.7 lb.)   |
| Engine Type                                       | Air cooled, two-stroke, single cylinder gasoline engine  |
| Bore  | 46.0 mm (1.81 in.)   |
| Stroke  | 35.0 mm (1.38 in.)   |
| Displacement                                      | 58.2 cc (3.55 cu. in.)   |
| Exhaust   | Spark arrestor muffler or spark arrestor muffler with catalyst   |
| Carburetor  | Diaphragm w/purge pump   |
| Ignition System                                   | Flywheel magneto, capacitor discharge ignition type  |
| Spark Plug  | NGK BPM8Y (Gap 0.65 mm [0.026 in.]   |
| Fuel  | Mixed (Gasoline and Two-stroke Oil)  |
| Fuel/Oil Ratio                                    | 50 : 1 Shindaiwa Red Armor® ISO-L-EGD (ISO/CD 13738) and J.A.S.O. M345- <u>FD</u> , two-stroke, air-cooled engine oil.   |
| Gasoline  | Use 89 Octane unleaded. Do not use fuel containing methyl alcohol, more than 10% ethyl alcohol or 15% MTBE. Do not use alternative fuels such as E-15 or E-85. |
| Oil   | Shindaiwa Red Armor® Premium Universal 2-Stroke Oil  |
| Fuel Tank Capacity                                | 1.83 L (62 US fl. oz.)   |
| Starter System                                    | Automatic Recoil Starter, centrifugal type   |
| Idle Speed  | 2,700 RPM  |
| Wide Open Throttle Speed (W.O.T.)                 | 6,550 RPM  |
| Average Air Speed w/pipes                         | 80.5 m/sec (180mph)  |
| Maximum Air Speed w/pipes                         | 96.1 m/sec (215 mph)   |
| Air Volume  | 14.4 m <sup>3</sup> /min. (510 cu. ft./min.)   |
| Sound Level at 50 ft. dB(A) scale per ANSI B175.2 | 70 dB(A)   |

# WARRANTY STATEMENTS

## SHINDAIWA LIMITED WARRANTY STATEMENT FOR PRODUCT SOLD IN USA AND CANADA BEGINNING 01/01/2013

### ECHO, INC'S RESPONSIBILITY

ECHO Incorporated's (ECHO, INC.) Limited Warranty, provides to the original purchaser that this Shindaiwa product is free from defects in material and workmanship. Under normal use and maintenance from date of purchase, ECHO, INC. agrees to repair or replace at it's discretion, any defective product free of charge at any authorized Shindaiwa servicing dealer within listed below application time periods, limitations and exclusions. **THIS LIMITED WARRANTY IS ONLY APPLICABLE TO SHINDAIWA PRODUCTS SOLD BY AUTHORIZED SHINDAIWA DEALERS. IT IS EXTENDED TO THE ORIGINAL PURCHASER ONLY, AND IS NOT TRANSFERABLE TO SUBSEQUENT OWNERS EXCEPT FOR EMISSION RELATED PARTS.** Repair parts and accessories replaced under this warranty are warranted only for the balance of the original unit or accessory warranty period. Any damage caused by improper installation or improper maintenance is not covered by this warranty. All parts or products replaced under warranty become the property of ECHO, INC. This warranty is separate from the Emission control warranty statement supplied with your new product. Please consult the Emission Control Warranty Statement for details regarding emission related parts. For a list of Authorized Shindaiwa Dealers refer to [WWW.SHINDAIWA.COM](http://WWW.SHINDAIWA.COM) or call 1-877-986-7783.

### OWNER'S RESPONSIBILITY

To ensure trouble free warranty coverage it is important that you register your Shindaiwa equipment on-line at [WWW.SHINDAIWA.COM](http://WWW.SHINDAIWA.COM) or by filling out the warranty registration card supplied with your unit. Registering your product confirms your warranty coverage and provides a direct link if we find it necessary to contact you.

The owner shall demonstrate *reasonable care and use*, and follow preventative maintenance, storage, fuel and oil usage as prescribed in the operator's manual. Should a product difficulty occur, you must, at your expense, deliver or ship your Shindaiwa unit to an authorized Shindaiwa servicing dealer for warranty repairs (within the applicable warranty period), and arrange for pick-up or return of your unit after the repairs have been made. For your nearest authorized Shindaiwa servicing dealer, call Shindaiwa's Dealer Referral Center, at 1-877-986-7783 or you can locate a Shindaiwa servicing dealer at [WWW.SHINDAIWA.COM](http://WWW.SHINDAIWA.COM). Should you require assistance or have questions concerning Shindaiwa's Warranty Statement, you can contact our Consumer Product Support Department at 1-800-673-1558 or contact us through the web at [WWW.SHINDAIWA.COM](http://WWW.SHINDAIWA.COM).

### PRODUCT WARRANTY PERIOD

#### HOMEOWNER APPLICATION

- **5 YEAR WARRANTY** - Units for homeowner, or non-income producing use will be covered by this limited warranty for five (5) years from date of purchase.

#### EXCEPTIONS:

- For engine powered products, the electronic ignition module, flexible drive cable, and solid drive shaft are warranted for the life\* of the product on parts only.
- Cutting attachments such as, but not limited to, bars, chains, sprockets, tines, blades, PowerBroom™, belts, and nylon trimmer heads for homeowner or non-income producing use will be covered for failures due to defects in material or workmanship for a period of 60 days from original product purchase date. Any misuse from contact with concrete, rocks, or other structures is not covered by this warranty.
- Multipurpose Tool Attachments carry the same warranty duration as the units they are designed to fit.

#### COMMERCIAL APPLICATION

- **90 DAY WARRANTY** - All Chain Saws and Cut-Off Saws for commercial, institutional, agricultural, industrial, or income producing use will be covered by this limited warranty for 90 Days from the date of purchase.
- **2 YEAR WARRANTY** - All other units for commercial, institutional, agricultural, industrial, or income producing use will be covered by this limited warranty for two (2) years from the date of purchase.

#### EXCEPTIONS:

- For engine powered products, the electronic ignition module, flexible drive cables, and solid drive shafts are warranted for the life\* of the product on parts only.
- Cutting attachments such as, but not limited to, bars, chains, sprockets, tines, blades, PowerBroom™, belts, and nylon trimmer heads for commercial, institutional, agricultural, industrial, rental, or income producing will be covered for failures due to defects in material or workmanship for a period of 30 days from original product purchase date. Any misuse from contact with concrete, rocks, or other structures is not covered by this warranty.
- Multipurpose Tool Attachments carry the same warranty duration as the units they are designed to fit.

#### RENTAL APPLICATION - 90 DAYS WARRANTY

- Units for rental use will be covered against defects in material and workmanship for a period of 90 days from the date of purchase.

\* ECHO INC's liability under the "Lifetime" coverage is limited to furnishing parts specified under the PRODUCT Warranty PERIOD section of this warranty statement for "Life" free of charge for a period of ten (10) years after the date of the complete unit's final production.



**PURCHASED REPAIR PARTS AND ACCESSORIES**

- 90-day all applications

**ATTENTION ENGINE POWERED PRODUCT OWNERS**

This Shindaiwa engine powered product is a quality-engineered unit which has been manufactured to exact tolerances to provide superior performance. To help ensure the performance of the unit, it is required to use engine oil which meets the ISO-L-EGD Standard per ISO/CD 13738 and JASO M345/FD Standards. Shindaiwa Red Armor™ is a premium engine oil specifically formulated to meet ISO-L-EGD (ISO/CD 13738) and JASO M345/FD Standards. The use of engine oils designed for other applications, such as for outboard motors or lawnmowers can result in severe engine damage, and will void your engine limited warranty.

**THIS WARRANTY DOES NOT COVER DAMAGE CAUSED BY:**

- Lack of lubrication or engine failure, due to the use of engine oils that do not meet the ISO-L-EGD (ISO/CD 13738) and JASO M345/FD Standards. Shindaiwa Red Armor™ Engine Oil meets the ISO-L-EGD and JASO M345/FD Standard. Emission related parts are covered for 5 years homeowner or 2 years commercial use regardless of two-stroke oil used, per the statement listed in the EPA or California Emission Control Warranty Explanation.
- Damage caused by use of gasohol, containing methanol (wood alcohol), or gasoline containing less than 89 octane. Only use gasoline which contains 89 octane or higher. Gasohol which contains a maximum 10% ethanol (grain alcohol) or 15% MTBE (methyl/tertiary/butyl/ether) is also approved. The prescribed mixing ratio of gasoline to oil is listed on the Shindaiwa oil label and covered in your operator's manual.
- Engine damage caused by use of ether or any starting fluids.
- Damage caused by tampering with engine speed governor or emission components, or running engines above specified and recommended engine speeds as listed in your operator's manual.
- Operation of the unit with improperly maintained/removed cutting shield or removed/damaged air filter.
- Damage caused by dirt, pressure or steam cleaning the unit, salt water, corrosion, rust, varnish, abrasives, and moisture.
- Defects, malfunctions or failures resulting from abuse, misuse, neglect, modifications, alterations, normal wear, improper servicing, or use of unauthorized attachments.
- Incorrect storage procedures, stale fuel, including failure to provide or perform required maintenance services as prescribed in the operator's manual. Preventative maintenance as outlined in the operator's manual is the customer's responsibility.
- Failures due to improper set-up, pre-delivery service or repair service by anyone other than authorized Shindaiwa servicing dealer during the warranty period.
- Certain parts and other items are not warranted, including but not limited to: lubricants, starter cords, and engine tune-ups.
- Use of spark plugs other than those meeting performance and durability requirements of the OEM spark plug listed in the Operator's Manuals.
- Overheating or carbon scoring failures due to restricted, clogged exhaust port or combustion chamber, including damage to spark arrester screen.
- Adjustments after the first (30) thirty days and beyond, such as carburetor adjustment and throttle cable adjustment.
- Damage to gears or gear cases caused by contaminated grease or oil, use of incorrect type or viscosity of lubricants, and/or failure to comply with recommended grease or oil change intervals.
- Damage caused by pump or sprayer running dry, pumping or spraying caustic or flammable materials, or lack of or broken strainers.
- Additional damage to parts or components due to continued use after operational problem or failure occurs. Should operational problem or failure occur, the product should not be used, but delivered as is to an authorized Shindaiwa servicing dealer.

It is a dealer's and/or customer's responsibility to complete and return the warranty registration card supplied with your Shindaiwa product or by visiting [WWW.SHINDAIWA.COM](http://WWW.SHINDAIWA.COM). Your receipt of purchase including date, model and serial number must be maintained and presented to an authorized Shindaiwa servicing dealer for warranty service. Proof of purchase rests solely with the customer. Some states do not allow limitations on how long an implied warranty lasts, so the above limitations may not apply to you. Some states do not allow the exclusion or limitation of incidental or consequential damages, so you may also have other specific legal rights which vary from state to state. This limited warranty is given by ECHO Incorporated, 400 Oakwood Rd., Lake Zurich, IL 60047.

**DISCLAIMER OF IMPLIED WARRANTIES**

This limited warranty is in lieu of all other expressed or implied warranties, including any warranty of FITNESS FOR A PARTICULAR PURPOSE OR USE and any implied warranty of **MERCHANTABILITY** otherwise applicable to this product. ECHO, INC. and its affiliated companies shall not be liable for any special incidental or consequential damage, including lost profits. There are no warranties extended other than as provided herein. This limited warranty may be modified only by ECHO, INC.

X7561120400  
10/14



# PRODUCT REGISTRATION

## Thank you for choosing Shindaiwa Power Equipment

Please go to <http://www.shindaiwa-usa.com> to register your new product on-line. It's **FAST** and **EASY!** NOTE: your information will never be sold or misused by ECHO, Inc. Registering your purchase enables us to contact you in the unlikely event of a service update or product recall, and verifies your ownership for warranty consideration.

If you do not have access to the Internet, you can complete the form below and mail to:

**ECHO Inc., Product Registration, PO Box 1139, Lake Zurich IL 60047.**



**shindaiwa** PRODUCT REGISTRATION CARD : TARJETA DE REGISTRO : CARTE D'ENREGISTREMENT DI

**ONLINE OPTION:** Register online and save a stamp! You will be alerted of product updates and/or be sent new Shindaiwa product information and special offers. Simply go to: [www.shindaiwa-usa.com](http://www.shindaiwa-usa.com)

**OPCIÓN POR INTERNET:** Regístrese en la página web y ahorre una estampilla! Le alertarán sobre actualizaciones del producto y/o se le enviará información sobre los nuevos productos Shindaiwa y las ofertas especiales. Simplemente visite: [www.shindaiwa-usa.com](http://www.shindaiwa-usa.com)

**OPTION EN LIGNE:** Enregistrez en ligne et épargnez un timbre. Vous serez informés des mises à jour des produits et les offres spéciales. Simplement visitez le: [www.shindaiwa-usa.com](http://www.shindaiwa-usa.com)

**Please Print :** Por Favor Escribe Con Letra De Moidé : En Lettre Carré S.V.P. **Confidential: Information provided will not be**

|  |  |
|--|--|
| Purchaser's Name : Nombre del Comprador : Nom de l'acheteur            |  |
| Address : Dirección : Adresse  |  |
| City : Ciudad : Ville  | State : Estado : Province  |
| Zip Code : Código Postal : Code Postal                                 | E-Mail Address : Dirección De Correo Electrónico : Courrier Électronique |
| Phone Number : Número De Teléfono : Téléphone                          | Date of Purchase : Fecha de la Compra : Date de l'achat                  |
| Where Purchased : Nombre del Almacén donde fue Comprado : Lieu d'achat |  |
| Model Number : Numero del Modelo : No. de modèle                       | Serial Number : Numero de Serie : No. de série                           |

**Primary use of tool:**  Professional  Homeowner  Rental  
 Uso primario de la herramienta:  Profesional  Dueño de casa  Alquiler  
 Usage principal:  Professionnel  Résidentiel  Location

**Do you wish to receive periodic Shindaiwa product information offers by e-mail?**  Yes  No  
 ¿Desea usted recibir información periódica y ofertas especiales por electrónico sobre el producto Shindaiwa?  Yes  No

**Did you visit the Shindaiwa website before purchasing your product?**  Yes  No  
 ¿Desea usted recibir información periódica y ofertas especiales por electrónico sobre el producto Shindaiwa?  Yes  No

Visited the Shindaiwa website before purchasing your product?  Yes  No  
 Avez-vous visité le site d'Shindaiwa avant de procurer votre produit?  Oui  Non

**What factor(s) most influenced your purchase?**  
 Performance  Price  Dealer  
 Reliability  Prior Experience  Quality  Warranty  
 Friend/Family  Brand  Warranty

¿Qué factor(es) influenció más en su compra?  
 Funcionamiento  Precio  Distribuidor  
 Confiabilidad  Experiencia Anterior  Calidad  Garantía  
 Amigo/Familia  Marca  Garantía

Quel facteur (facteurs) vous a influencé le plus?  
 Performance  Prix  Marchand  
 Fiabilité  Expérience  Qualité  
 Ami/Famille  Marque  Garantie

1.877.986.7783 [www.shindaiwa-usa.com](http://www.shindaiwa-usa.com) X75711









**shindaiwa**<sup>®</sup>  
ECHO, INCORPORATED  
400 Oakwood Road  
Lake Zurich, IL 60047  
[www.echo-usa.com](http://www.echo-usa.com)

P45214001001/P45214003844