

**FS481V**

**FS541V**

**FS600V**

**4-Stroke Air-Cooled V-Twin Gasoline Engine**

**Motor gasolina de 4 tiempos, V-gemelo y refrigerado por aire**

---

**OWNER'S MANUAL**

**MANUAL DEL PROPIETARIO**

---

**Kawasaki**

**ENGLISH**

# **General-purpose Engine Owner's Manual**

Original instructions



# SAFETY AWARENESS

Whenever you see the symbols shown below, heed their instructions! Always follow safe operating and maintenance practices.

## **DANGER**

**DANGER** indicates a hazardous situation which, if not avoided, will result in death or serious injury.

## **WARNING**

**WARNING** indicates a hazardous situation which, if not avoided, could result in death or serious injury.

## **CAUTION**

**CAUTION** indicates a hazardous situation which, if not avoided, could result in minor or moderate injury.

## ***NOTICE***

**NOTICE** is used to address practices not related to personal injury.

## **NOTE**

- *This note symbol indicates points of particular interest for more efficient and convenient operation.*

**READ THE OPERATING INSTRUCTIONS OF THE EQUIPMENT THIS ENGINE POWERS.**

© 2010 Kawasaki Heavy Industries, Ltd.

(2): Apr. 2018. (M)

# READ THIS FIRST

For your safety, read this Owner's Manual and understand it thoroughly before operating this ENGINE.

## DANGER

**Exhaust gas contains carbon monoxide, a colorless, odorless poisonous gas. Inhaling carbon monoxide can cause serious brain injury or death. DO NOT run the engine in enclosed areas. Operate only in a well-ventilated area. Gasoline is extremely flammable and can be explosive under certain conditions, creating the potential for serious burns. When refueling, servicing fuel system, draining gasoline and/or adjusting the carburetor: Stop engine and allow it to cool before refueling. DO NOT smoke. Make sure the area is well-ventilated and free from any source of flame or sparks, including the pilot light of any appliance. DO NOT fill the tank so the fuel level rises into the filler neck or level surface of level gauge. If the tank is overfilled, heat may cause the fuel to expand and overflow through the vents in the tank cap. Wipe off any spilled gasoline immediately. Engines can become extremely hot during normal operation. To prevent fire hazard: Keep the engine at least 1 m (3.3 ft) away from buildings, obstructions and other flammable objects. DO NOT place flammable objects close to the engine. DO NOT expose combustible materials to the engine exhaust. DO NOT use the engine on any forest covered, brush covered or grass covered unimproved land unless spark arrester is installed on the muffler. To avoid getting an electric shock, DO NOT touch spark plugs, plug caps or spark plug leads during engine running. To avoid a serious burn, DO NOT touch a hot engine or muffler. The engine becomes hot during operation. Before you service or remove parts, stop engine and allow the engine to cool. DO NOT place hands or feet near moving or rotating parts. Place a protective cover over pulley, V belt or coupling. DO NOT run engine at excessive speeds. This may result in injury. Always remove the spark plug caps from spark plugs when servicing the engine to prevent accidental starting.**

Read warning labels which are on the engine and understand them. If any label is missing, damaged, or worn get a replacement from an authorized Kawasaki engine dealer and install it in the correct position.

# EMISSION CONTROL INFORMATION

## Fuel Information

THIS ENGINE IS CERTIFIED TO OPERATE ON UNLEADED REGULAR GRADE GASOLINE ONLY. A minimum of 87 octane of the antiknock index is recommended. The antiknock index is posted on service station pumps in the U.S.A.

## Emission Control Information

To protect the environment in which we all live, Kawasaki has incorporated an exhaust emission control system in compliance with applicable regulations of the United States Environmental Protection Agency and the California Air Resources Board. Also, depending on when your engine was produced, it may have an assigned emissions durability period.

\*See below for the engine emissions durability period that may apply to your engine.

## Exhaust Emission Control System

The exhaust emission control system applied to this engine consists of a carburetor and an ignition system having optimum ignition timing characteristics. The carburetor has been calibrated to provide specific air/fuel mixture characteristics and optimum fuel economy with a suitable air cleaner and exhaust system.

A sealed-type crankcase emission control system is also used to eliminate blow-by gasses. The blow-by gasses are led to a breather chamber through the crankcase and from there to the air cleaner.

## Engine Emissions Compliance Period

### California

#### Engines Greater Than or Equal To 225 cc

Durability Period – 500 hours

### All Other States

#### Engines Greater Than or Equal To 225 cc

Durability Period – 500 hours (Category B)

**If your engine has an assigned emissions durability period it will be located on the certification label attached to the engine (IMPORTANT ENGINE INFORMATION).**

## High Altitude Performance Adjustment Information

To improve the EMISSIONS CONTROL PERFORMANCE of engines operated above 1,000 meters (3,300 feet), Kawasaki requires the following Environmental Protection Agency (EPA) and California Air Resources

Board (CARB) approved modifications. High altitude adjustment requires replacement of carburetor main jets. Installation of these optional parts may be performed by an authorized Kawasaki engine dealer or equally qualified service facility, following repair recommendations specified in the appropriate Kawasaki Service document or parts catalog.

Operating the engine with the wrong engine configuration at a given altitude may increase its emissions and decrease fuel efficiency and performance.

### **NOTE**

○ *When properly performed, these specified modifications only are not considered to be emissions system "tampering" and engine performance is generally unchanged as a result.*

### **Maintenance and Warranty**

Proper maintenance is necessary to ensure that your engine will continue to have low emission levels. This Owner's Manual contains those maintenance recommendations for your engine. Those items identified by the Periodic Maintenance Chart are necessary to ensure compliance with the applicable standards.

As the owner of the engine, you have the responsibility to make sure that the recommended maintenance is carried out according to the instructions in this Owner's Manual at your own expense.

The Kawasaki Limited Emission Control System Warranty requires that you return your engine to an authorized Kawasaki dealer for remedy under warranty. Please read the warranty carefully, and keep it valid by complying with the owner's obligations it contains.

### **Tampering with Emission Control System Prohibited**

Federal law and California State law prohibit the following acts or the causing thereof: (1) the removal or rendering inoperative by any person other than for purposes of maintenance, repair, or replacement, of any device or element of design incorporated into any new engine for the purposes of emission control prior to its sale or delivery to the ultimate purchaser or while it is in use, or (2) the use of the engine after such device or element of design has been removed or rendered inoperative by any person.

Among those acts presumed to constitute tampering, do not tamper with the original emission related parts below:



- Carburetor and their internal parts
- Spark Plug
- Magneto ignition system
- Fuel filter element
- Air cleaner elements
- Crankcase
- Cylinder heads
- Breather chamber and internal parts
- Intake pipe and tube
- Muffler or any internal portion of the muffler

# FOREWORD

This Owner's Manual provided to aid you in the safe and reliable operation of your Engine. READ AND UNDERSTAND IT THOROUGHLY BEFORE OPERATING YOUR ENGINE.

READ THE OPERATING INSTRUCTIONS OF THE EQUIPMENT THIS ENGINE POWERS.

To ensure a long, trouble-free life for your Engine, give it proper care and maintenance in accordance with this Owner's Manual.

Please note that the photographs and illustrations shown in this manual are made based on Model FS600V as a typical example among other similar models.

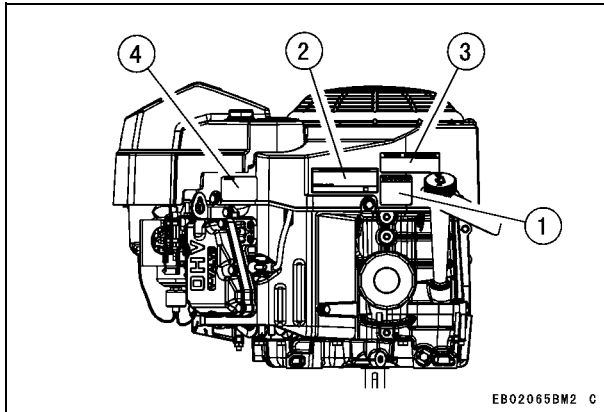
All rights reserved. No part of this publication may be reproduced, stored in a retrieval system, or transmitted in any form or by any means, electronic mechanical photocopying, recording or otherwise, without the prior written permission of Kawasaki Heavy Industries, Ltd., Motorcycle & Engine Company. Although every possible care has been taken to make this manual as complete and accurate as possible, Kawasaki cannot guarantee against errors and omissions. Due to improvements in design and performance during production, procedures and specifications are subject to change without prior notice. Illustrations are provided for general reference purposes, and may differ from actual product aspects and components.

# TABLE OF CONTENTS

<b>GENERAL INFORMATION</b> .....	11	Spark Plug Service .....	32
Label Location .....	11	Fuel Filter and Fuel Pump Service .....	33
Parts Location .....	12	Cooling System Cleaning .....	34
Tune-up Specifications .....	14	<b>STORAGE</b> .....	37
Engine Oil Capacity .....	14	Engine Storage Procedure .....	37
<b>FUEL AND OIL RECOMMENDATIONS</b> .....	15	<b>TROUBLESHOOTING GUIDE</b> .....	38
Fuel .....	15	<b>ENVIRONMENTAL PROTECTION</b> .....	40
Engine Oil .....	16	<b>SPECIFICATIONS</b> .....	41
<b>PREPARATION</b> .....	17	<b>WIRING DIAGRAM</b> .....	42
Fuel .....	17	Wiring Diagram .....	42
Engine Oil .....	17		
<b>STARTING</b> .....	19		
Starting the Engine .....	19		
<b>OPERATING</b> .....	22		
Warming Up .....	22		
Engine Inclination .....	22		
<b>STOPPING</b> .....	23		
Stopping the Engine .....	23		
Emergency Stop .....	23		
<b>ADJUSTMENT</b> .....	24		
Throttle Cable Installation, Adjustment .....	24		
Choke Cable Installation, Adjustment .....	24		
Engine Speed Adjustment .....	25		
<b>MAINTENANCE</b> .....	26		
Periodic Maintenance Chart .....	27		
Oil Level Check .....	29		
Oil Change .....	29		
Oil Filter Change .....	30		
Air Cleaner Service .....	31		
Foam Element .....	31		
Paper Element .....	32		

# GENERAL INFORMATION

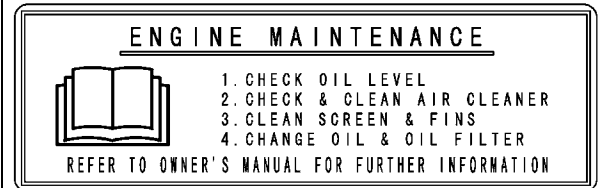
## Label Location



1. Warning Label
2. Important Engine Information Label
3. Engine Maintenance Label
4. Engine Serial Number Label

The engine serial number is your only means of identifying your particular engine from others of the same model type.

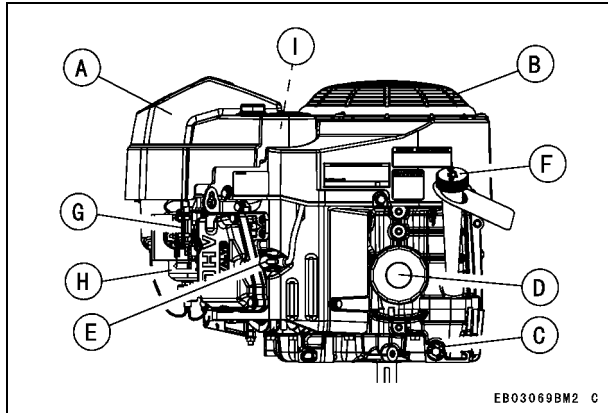
This engine serial number is needed by an authorized Kawasaki engine dealer or equally qualified service facility when ordering parts.



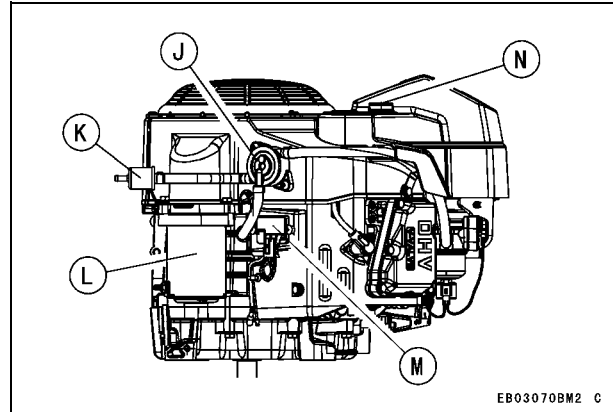
## 12 GENERAL INFORMATION

### Parts Location

[Electric Starter Model]

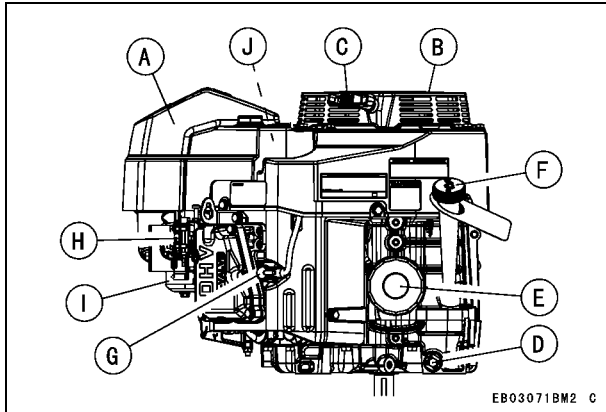


- A. Air Cleaner (inside A)
- B. Air Inlet Guard
- C. Oil Drain Plug
- D. Oil Filter
- E. Spark Plugs/Spark Plug Caps
- F. Oil Gauge/Filler Cap
- G. Control Panel
- H. Carburetor
- I. Inspection Ports

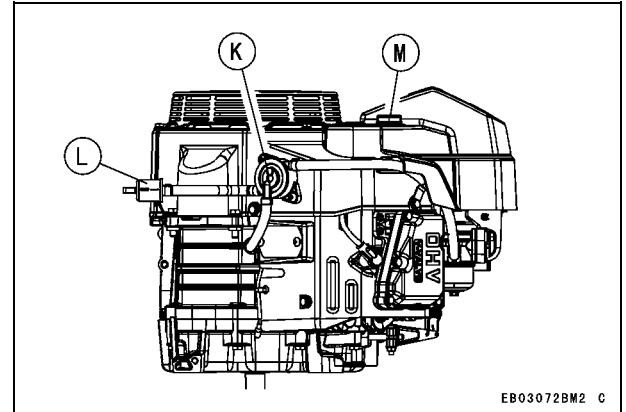


- J. Fuel Pump
- K. Fuel Filter
- L. Electric Starter
- M. Voltage Regulator
- N. Nuts

**[Recoil Starter Model]**



- A. Air Cleaner (inside A)
- B. Recoil Starter
- C. Recoil Starter Grip
- D. Oil Drain Plug
- E. Oil Filter
- F. Oil Gauge/Filler Cap
- G. Spark Plugs/Spark Plug Caps
- H. Control Panel
- I. Carburetor
- J. Inspection Ports



- K. Fuel Pump
- L. Fuel Filter
- M. Nuts

## 14 GENERAL INFORMATION

### Tune-up Specifications

ITEM	Specifications
Ignition Timing	Unadjustable
Spark Plugs: Gap	NGK BPR4ES 0.75 mm (0.030 in.)
Low Idle Speed	1 550 r/min (rpm)
High Idle Speed	3 600 r/min (rpm)
Valve Clearance	In 0.10 ~ 0.15 mm (0.004 ~ 0.006 in.) Ex 0.10 ~ 0.15 mm (0.004 ~ 0.006 in.)
Other Specifications	No other adjustment needed

#### NOTE

○ *High and low idle speeds may vary depending on the equipment on which the engine is used. Refer to the equipment specification.*

### Engine Oil Capacity

#### Engine Oil Capacity

FS481V FS541V FS600V	1.5 L (1.6 US·qt) [when oil filter is not removed]
	1.7 L (1.8 US·qt) [when oil filter is removed]

# FUEL AND OIL RECOMMENDATIONS

---

## Fuel

---

Use only clean, fresh, unleaded regular grade gasoline.

<b>NOTICE</b>
---------------

<b>Do not mix oil with gasoline.</b>
--------------------------------------

### Octane Rating

The octane rating of a gasoline is a measure of its resistance to “knocking”. Using a minimum of 87 octane by the antiknock index is recommended. The antiknock index is posted on service station pumps in the U.S.A.

### Antiknock Index: $(RON + MON)/2$

**RON = Research Octane Number**

**MON = Motor Octane Number**

### NOTE

○ If “knocking or pinging” occurs, use a different brand of gasoline or higher octane rating.

### Oxygenated Fuel

Oxygenates (either ethanol or MTBE) are added to the gasoline. If you use the oxygenated fuel be

sure it is unleaded and meets the minimum octane rating requirement.

The following are the EPA approved percentages of fuel oxygenates.

**ETHANOL:** (Ethyl or Grain Alcohol)

You may use gasoline containing up to 10% ethanol by volume.

**MTBE:** (Methyl Tertiary Butyl Ether)

You may use gasoline containing up to 15% MTBE by volume.

**METHANOL:** (Methyl or Wood Alcohol) 5% by volume

You may use gasoline containing up to 5% methanol by volume, as long as it also contains cosolvents and corrosion inhibitors to protect the fuel system. Gasoline containing more than 5% methanol by volume may cause starting and/or performance problems. It may also damage metal, rubber, and plastic parts of your fuel system.



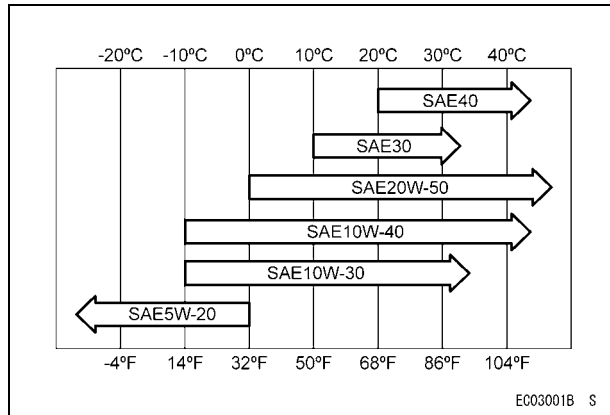
## 16 FUEL AND OIL RECOMMENDATIONS

### Engine Oil

The following engine oils are recommended.  
API Service Classification : SJ or SL class

#### Oil Viscosity

Choose the viscosity according to the temperature as follows:



#### NOTE

○ Although 10W-40 engine oil is the recommended oil for most conditions, the oil viscosity may need to be changed to accommodate atmospheric conditions. Using 20W-50 oil in higher ambient temperatures may reduce oil consumption.

# PREPARATION

## Fuel

### **WARNING**

Gasoline is extremely flammable and can be explosive under certain conditions, creating the potential for serious burns. Turn the ignition switch off. Do not smoke. Make sure the area is well ventilated and free from any source of flame or sparks; this includes any appliance with a pilot light. Never fill the tank completely to the top. If the tank is filled completely to the top, heat may cause the fuel to expand and overflow through the vents in the tank cap. After refueling, make sure the tank cap is closed securely. If gasoline is spilled on the fuel tank, wipe it off immediately.

## Engine Oil

Check the engine oil daily before starting the engine otherwise shortage of the engine oil may cause serious damage to the engine such as seizure.

- Place the engine on level surface. Clean area around the oil gauge before removing it.
- Remove the oil gauge (A) and wipe it with a clean cloth.
- Pour the oil slowly to “FULL” mark on the oil gauge.
- Insert the oil gauge into tube (B) WITHOUT SCREWING IT IN.
- Remove the oil gauge (A) to check the oil level. The level should be between “ADD” and “FULL” marks. Do not overfill.
- Install and tighten the oil gauge (A).

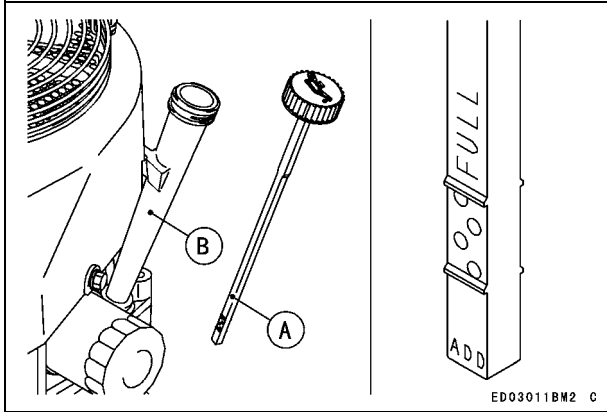
### **NOTICE**

**Do not fill above the “FULL” mark. Excess oil will cause a smoking condition, and may cause the engine to overheat.**

## Engine Oil Capacity

FS481V FS541V FS600V	1.5 L (1.6 US·qt) [when oil filter is not removed]
	1.7 L (1.8 US·qt) [when oil filter is removed]

## 18 PREPARATION



### ***NOTICE***

**The engine is shipped without engine oil.**

# STARTING

## Starting the Engine

### DANGER

Exhaust gas contains carbon monoxide, a colorless, odorless poisonous gas. Inhaling carbon monoxide can cause serious brain injury or death. **DO NOT** run the engine in enclosed areas. Operate only in a well-ventilated area.

### WARNING

Engine exhaust may ignite combustible materials and cause a fire. Keep the area around the exhaust outlet clear. Locate the unit so that the exhaust outlet points toward an open area and is located at least one meter (3.3 feet) from any obstructions.

### NOTE

- *Be aware of the following in order to start the engine easily in cold weather.*
- Use proper oil for expected temperature (See “FUEL AND OIL RECOMMENDATIONS” chapter).

- Use fresh gasoline.
- Protect the engine or the equipment from direct exposure to weather when not in operation.

### NOTE

- *Follow the operating instructions of the equipment this engine powers.*
- Before starting the engine, disconnect all possible external loads.
- Open the fuel valve (A) on the equipment.
- Move throttle lever on dash to half throttle position.
- Use full choke when the engine is cold, but in hot weather or when the engine is already warm, use half choke or leave the choke fully open.

### [Electric Starter Model]

- Put the key into the ignition switch.
- Turn the key to the START position on the ignition switch. Usually engine will start within 3 seconds.

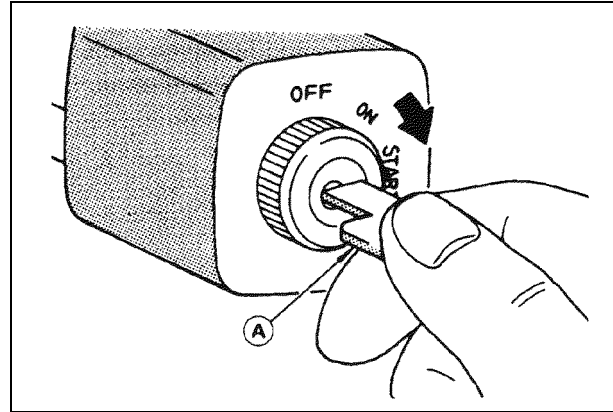
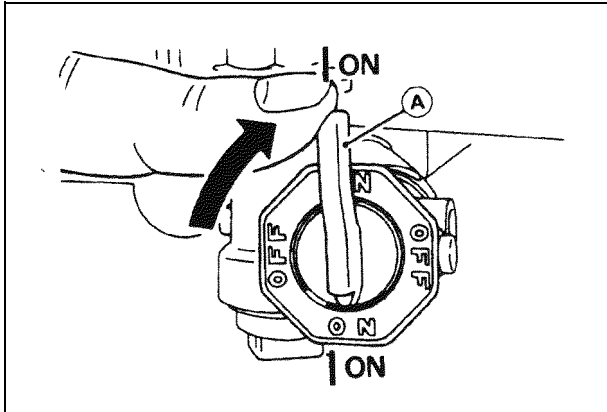
### NOTICE

**Do not run the electric starter continuously for more than 5 seconds, otherwise the battery may discharge quickly. If the engine does not start right away, wait 15 seconds and try again.**

## 20 STARTING

### NOTE

- When the engine is very warm, or when the engine does not start immediately, **DO NOT** keep trying to start it with the choke closed as this will cause flooding and make starting more difficult.
- Instead, fully open the choke and start the engine.



### NOTICE

Whenever you start engine, make sure warning lamp is not illuminated after engine starts. If warning lamp comes on, stop engine immediately and check oil level (if equipped).

- After starting the engine, gradually return the choke lever to the fully open position.

**[Recoil Starter Model]**

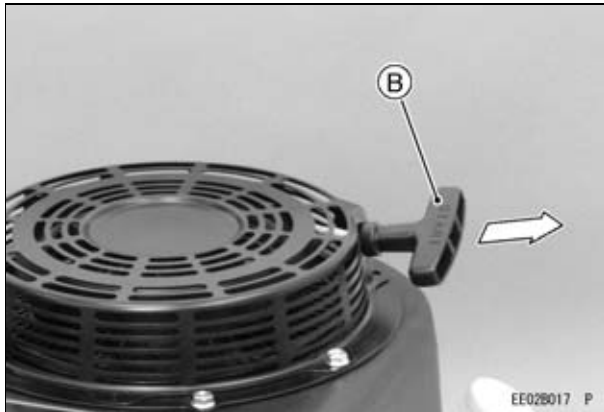
- Put the key into the ignition switch.
- Turn the key to the ON position on the ignition switch.
- Pull the recoil starter grip [B] slowly until you feel compression, then pull it briskly.

**NOTICE**

**Do not let recoil cord snap back by itself. This may damage the cord or recoil starter assembly.**

**NOTE**

- *If the engine won't start in three pulls, open the choke and try again.*



# OPERATING

---

## Warming Up

---

After the engine starts, move the throttle lever (A) on the equipment to halfway between “FAST” and “SLOW”.

To warm up the engine, run it for 3 to 5 minutes with the throttle lever in the same position (halfway) before putting the equipment under load. Then, move the throttle lever (A) on the equipment to its “FAST” position.

<b><i>NOTICE</i></b>
----------------------

Allow engine to warm up sufficiently (3 to 5 minutes at idle) before applying a load. This will allow oil to reach all engine parts, and allow piston clearance to reach design specifications.
---

<b><i>NOTICE</i></b>
----------------------

While warming up the engine, make sure the warning lamp (oil pressure) on dash is not on. The warning lamp must not be illuminated during engine operation (if equipped).
---

---

## Engine Inclination

---

This engine will operate continuously at angles up to 25° in any direction.

Refer to the operating instructions of the equipment this engine powers. Because of equipment design or application, there may be more stringent restrictions regarding the angle of operation.

<b><i>NOTICE</i></b>
----------------------

Do not operate this engine continuously at angles exceeding 25° in any direction. Engine damage could result from insufficient lubrication.
---

# STOPPING

---

## Stopping the Engine

---

### **WARNING**

Leaving the equipment with the key hanging in the ignition can allow operation by someone who does not know how to operate it. It may cause serious accident with injury. Always remove the key from unattended equipment.

### **Ordinary Stop**

- Move the throttle lever to “**SLOW**” speed position.
- Keep running at the “**SLOW**” speed for about one minute.

### ***NOTICE***

Engine damage can occur from run-on or after-burning if engine is stopped suddenly from high speed loaded operation. Reduce engine speed to idle for one minute before shutting engine off.

- Turn the engine switch or the switch key to “OFF” position.

### **Emergency Stop**

- Immediately turn the engine switch or the switch key to “OFF” position.
- Close the fuel valve on the equipment.



# ADJUSTMENT

---

## Throttle Cable Installation, Adjustment

- Link the throttle cable (G) to the speed control lever (C) and loosely clamp the throttle cable outer housing (F) with the cable clamp bolt (A).
- Move the throttle lever to “FAST” position.
- Pull up the outer housing (F) of the throttle cable until the inner wire (G) has almost no slack, and tighten the cable clamp bolt (A).
- Move the throttle lever to “SLOW” position. Make sure that the carburetor throttle valve (H) is moved smoothly.

---

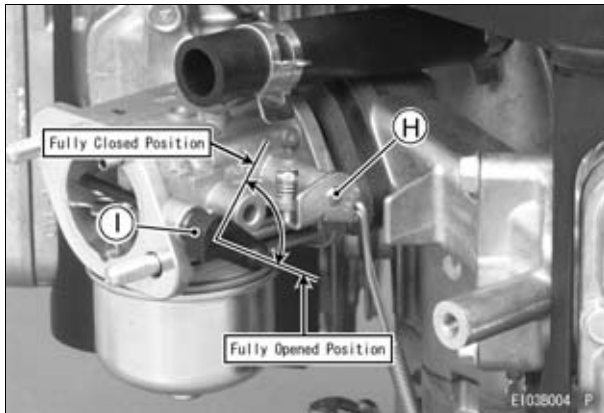
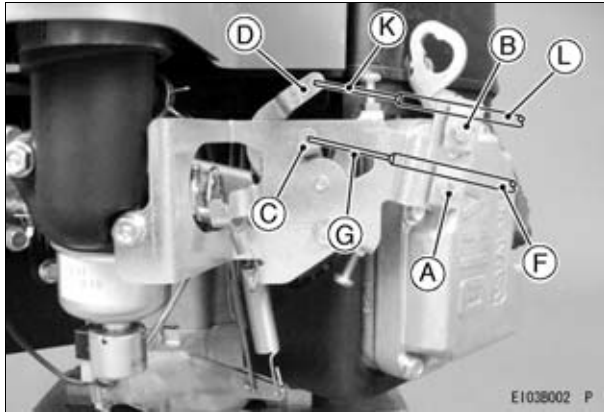
## Choke Cable Installation, Adjustment

- Link the choke cable (K) to the choke control lever (D), and loosely clamp the choke cable outer housing (L) with the cable clamp bolt (B).
- Move the equipment choke control to “OPEN” position. Make sure that the carburetor choke valve (I) is fully opened.
- Pull up the outer housing (L) of the choke cable until the inner wire (K) has almost no slack, and tighten the cable clamp bolt (B).
- Move the equipment choke control to “CHOKE” position. Make sure that the carburetor choke valve (I) is completely closed.
- Make sure that the choke valve turns from fully closed position to fully opened position when actuating the equipment choke control.

## Engine Speed Adjustment

### NOTE

- Do not tamper with the governor setting or the carburetor setting to increase the engine speed. Every carburetor is adjusted at the factory and a cap or stop plate is installed on each mixture screw.
- If any adjustment is necessary, it must be performed by an authorized Kawasaki engine dealer or equally qualified service facility.



# MAINTENANCE

**Maintenance, replacement, or repair of the emission control devices and systems may be performed by any nonroad engine repair establishment or individual.**

## Periodic Maintenance Chart

### WARNING

Prevent accidental starting during engine service by removing the spark plug caps.

### NOTE

○ *The service intervals can be used as a guide. Service more frequently as necessary by operating conditions.*

◆ : Service more frequently under dusty conditions.

◇ : Service to be performed by an authorized Kawasaki engine dealer or equally qualified service facility.

MAINTENANCE	INTERVAL				
	Daily	Every 25 hr.	Every 100 hr.	Every 200 hr.	Every 300 hr.
Check and add engine oil.	●				
Check for loose or lost nuts and screws.	●				
Check for fuel and oil leakage.	●				
Check battery electrolyte level.	●				
◆ Check or clean air inlet screen.	●				
◆ Clean air cleaner foam element.		●			
◆ Check inspection ports and clean.		●			
◆ Clean air cleaner paper element.			●		
◆ Clean dust and dirt from cylinder and cylinder head fins.			●		
Tighten nuts and screws.			●		

## 28 MAINTENANCE

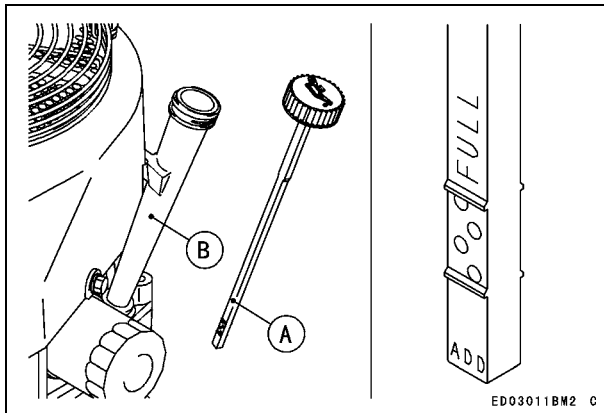
MAINTENANCE	INTERVAL				
	Daily	Every 25 hr.	Every 100 hr.	Every 200 hr.	Every 300 hr.
Change engine oil.			•		
Clean and regap spark plugs.			•		
Change oil filter.				•	
◆ Replace air cleaner paper element				•	
◇ Clean combustion chamber.					•
◇ Check and adjust valve clearance.					•
◇ Clean and lap valve seating surface.					•

## Oil Level Check

Check oil level daily and before each time of operation. Be sure oil level is maintained. See “PREPARATION” chapter.

### Engine Oil Capacity

FS481V FS541V FS600V	1.5 L (1.6 US·qt) [when oil filter is not removed]
	1.7 L (1.8 US·qt) [when oil filter is removed]



## Oil Change

Change oil every 100 hours.

- Run the engine to warm oil.
- Be sure the engine (equipment) is level.
- Stop the engine.
- Remove the oil drain plug (A) and drain the oil into suitable container while engine is warm.

### **⚠ WARNING**

**Hot engine oil can cause severe burns. Allow engine temperature to drop from hot to warm level before draining and handling oil.**

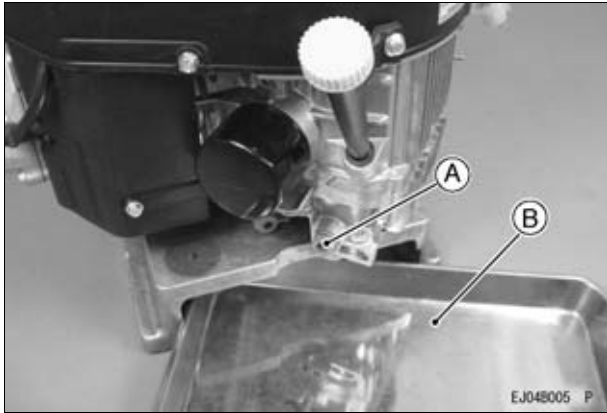
- Replace the O-ring of the oil drain plug with a new one.
- Apply grease to the O-ring.
- Tighten the oil drain plug.

### Tightening Torque

#### Oil Drain Plug:

**6.9 N·m (0.70 kgf·m, 61 in·lb)**

- Remove oil gauge and refill with fresh oil (See “FUEL AND OIL RECOMMENDATIONS” chapter).
- Check the oil level (See “PREPARATION” chapter for oil level check).



A. Oil Drain Plug  
B. Suitable Container

### **⚠ WARNING**

**Engine oil is a toxic substance. Dispose of used oil properly. Contact your local authorities for approved disposal methods or possible recycling.**

## Oil Filter Change

- Change the oil filter every 200 hours of operation.

### **⚠ WARNING**

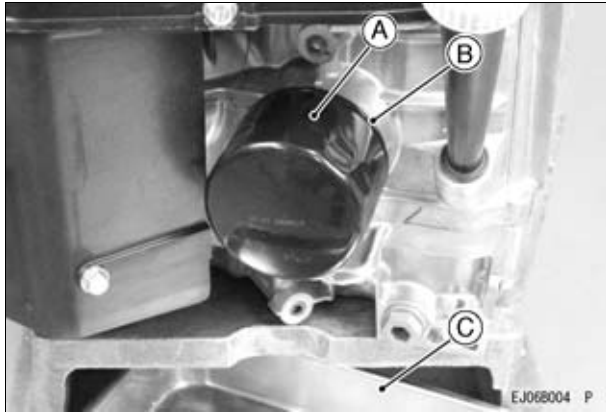
**Hot engine oil can cause severe burns. Allow engine temperature to drop from hot to warm level before attempting to remove oil filter.**

- Drain engine oil into a suitable container (C).

### **NOTICE**

**Before removing the oil filter, place suitable pan under filter connection.**

- Rotate the oil filter (A) counterclockwise to remove it.
- Coat a film of clean engine oil on seal of new filter.
- Install new filter rotating it clockwise until seal contacts mounting surface (B). Then rotate filter 3/4 turn more by hand.
- Supply engine oil as specified.
- Run the engine for about 3 minutes, stop engine, and check oil leakage around the filter.
- Add oil to compensate for oil level drop due to oil filter capacity (See “PREPARATION” chapter for oil level check).



- A. Oil Filter
- B. Mounting Surface
- C. Suitable Container

**⚠ WARNING**

Engine oil is a toxic substance. Dispose of used oil properly. Contact your local authorities for approved disposal methods or possible recycling.

**Air Cleaner Service**

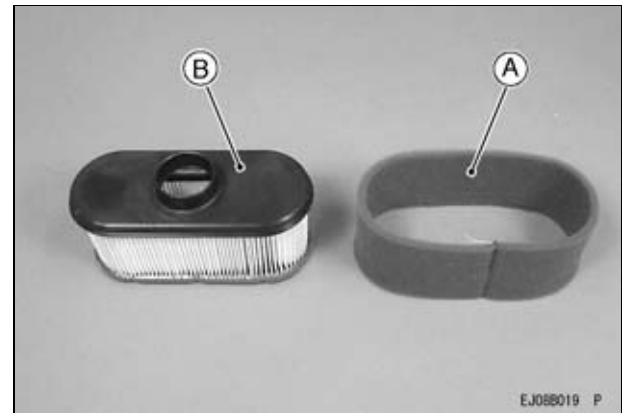
***NOTICE***

To prevent excessive engine wear, do not run the engine with the air cleaner removed.

**Foam Element**

Clean the foam element (A) every 25 hours.

- Wash the element in detergent and water, and dry it thoroughly.





## 32 MAINTENANCE

### Paper Element

- Clean the paper element (B) every 100 hours.
- Clean the paper element by tapping gently to remove dust. If very dirty, replace the paper element with a new one.
  - Replace with a new paper element yearly or 200 hours. Whichever comes first.

#### NOTE

- *Operating in dusty condition may require more frequent maintenance than above.*

#### NOTICE

**Do not wash paper element.  
Do not oil foam or paper element.  
Do not use pressurized air to clean paper element.**

### Spark Plug Service

#### WARNING

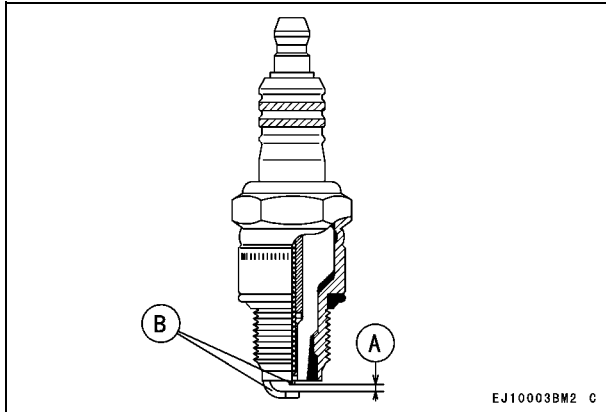
**Engines can become extremely hot during normal operation. Hot engine components can cause severe burns. Stop the engine and allow it to cool before checking spark plugs.**

Clean or replace the spark plugs and reset spark plug gap (A) every 100 hours of operation.

- Disconnect the spark plug caps from the spark plugs and remove the spark plugs.
- Clean the electrodes (B) by scraping with a wire brush to remove carbon deposits.
- Inspect for cracked porcelain or other wear and damage. Replace the spark plug with a new one if necessary.
- Check the spark plug gap and reset if necessary. The gap must be 0.75 mm (0.030 in). To change the gap, bend only the side-electrode, using a spark plug tool.
- Install and tighten the spark plugs to 22 N·m (2.2 kgf·m, 16 ft·lb). Connect the spark plug caps.

#### RECOMMENDED SPARK PLUG

NGK .....BPR4ES



**A. Spark Plug Gap**  
**B. Electrodes**

## Fuel Filter and Fuel Pump Service

### **⚠ WARNING**

Many solvents are highly flammable and may cause serious burns. Improper use of solvents can result in fire or an explosion. Do not use gasoline or low flash-point solvents to clean the fuel filter and/or the fuel pump. Clean only in a well-ventilated area away from sources of sparks or flame, including any appliances with a pilot light.

- The fuel filter can not be disassembled. If the fuel filter gets clogged, replace it with a new one.
- The fuel pump can not be disassembled. If the fuel pump fails, replace it with a new one.

## 34 MAINTENANCE

---

### Cooling System Cleaning

---

Before each use, check that the air inlet (rotary) screen (G) is free from grass and debris and clean if necessary. When checking or cleaning the air inlet screen, loosen the screws (F) and remove air inlet guard (A). Every 25 hours of operation, detach air cleaner cover and check inside shroud through the inspection ports. Clean or blow inside debris or dust if needed. Every 100 hours of operation, check and clean the cooling fins and inside of engine shrouds to remove grass, chaff or dirt clogging the cooling system and causing overheating. When cleaning, remove the air cleaner (inside E), air inlet guard (A) and air inlet (rotary) screen (G), loosen the bolts (C), (D), and then, remove the fan housing (B).

#### ***NOTICE***

**Do not run engine before all cooling system parts are reinstalled to keep cooling and carburetion as intended.**

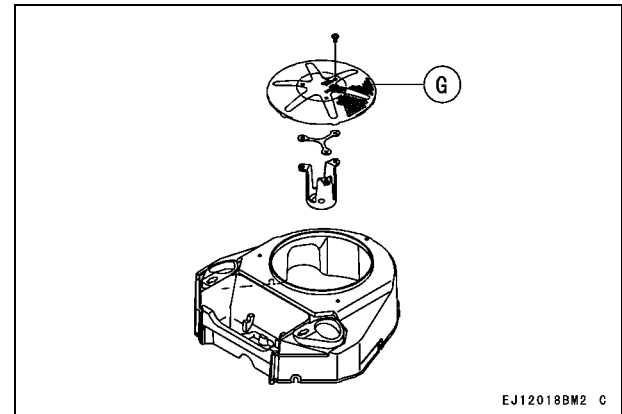
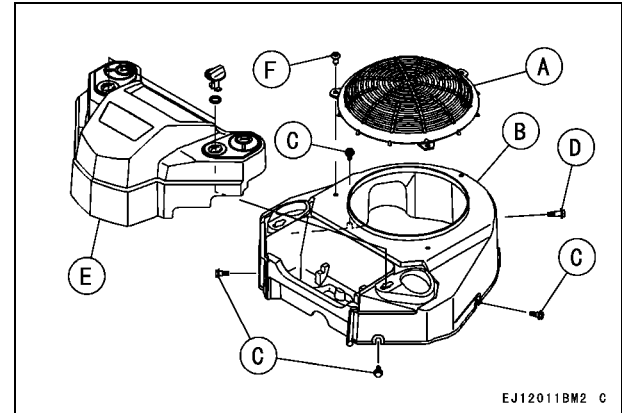
**[Recoil Starter Model]**

When checking or cleaning the air inlet screen, loosen the bolts (J) and remove the recoil starter (H). When checking or cleaning the cooling fins and inside engine shrouds, remove the air cleaner (inside I), recoil starter (H) and air inlet (rotary) screen (G), loosen bolts (C) (D) and nuts (K), and then, remove the fan housing (B).

**[Bolts Size, Tightening Torque]**

Bolts	Size	Length	Tightening Torque
C	M6	16 mm	8.8 N·m (0.9 kgf·m, 78 in·lb)
D	M6	22 mm	8.8 N·m (0.9 kgf·m, 78 in·lb)

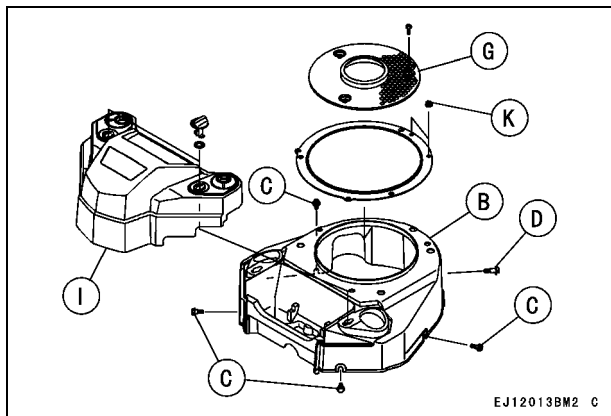
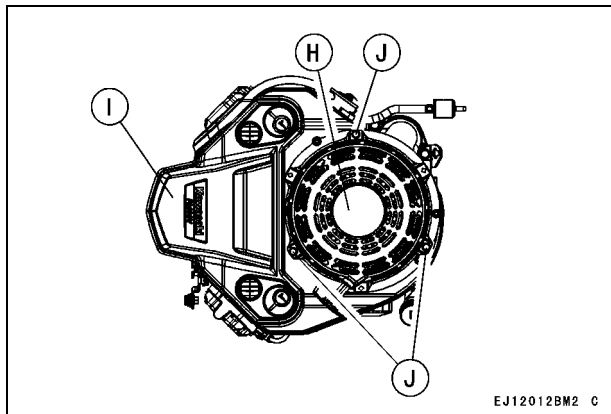
**[Electric Starter Model]**



**Without Inlet Guard**

## 36 MAINTENANCE

[Recoil Starter Model]



# STORAGE

## Engine Storage Procedure

When not operating your Kawasaki engine more than 30 days, add fuel stabilizer to fuel tank and run engine for 5 minutes then drain the fuel tank.

After draining the fuel tank, run the engine at low idle until engine stalls.

### **⚠ WARNING**

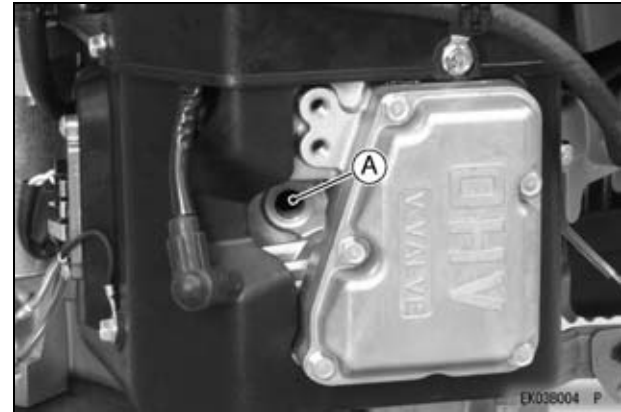
**Gasoline is extremely flammable and can be explosive under certain conditions. Drain fuel before storing the equipment for extended periods. Drain gasoline in a well-ventilated area away from any source of flame or sparks, including any appliances with a pilot light. Store gasoline in an approved container in safe location.**

- Remove the spark plugs and pour approx. 1 ~ 2 mL (1/2 teaspoon) of engine oil through the spark plug holes (A) and then screw the spark plugs in after turning the engine a few times. Slowly turn the engine until you feel compression and then leave it there. This blocks the air inside the cylinder and prevents rust inside the engine.
- Wipe the body with oily cloth.
- Wrap the engine with plastic sheeting and store it in a dry place.

- Change engine oil for next use after period of storage (refer to “Oil Change” section in “MAINTENANCE” chapter).

### **⚠ WARNING**

**Gasoline is a toxic substance. Dispose of gasoline properly. Contact your local authorities for approved disposal methods.**



**A. Spark Plug Hole**

# TROUBLESHOOTING GUIDE

If the engine malfunctions, carefully examine the symptoms and the operating conditions, and use the table below as a guide to troubleshooting.

Symptom		Probably Cause	Remedy
Engine won't start or output is low	Insufficient compression	Loose spark plugs	Tighten properly
		Loose cylinder head bolts	◇
		Faulty pistons, cylinders, piston rings, or head gaskets	
		Faulty valves	
	No fuel to combustion chamber	No fuel in fuel tank	Fill fuel tank
		Fuel valve not in "ON" position	Open fuel valve lever.
		Blocked fuel filter or tube	Change fuel filter or fuel tube
		Blocked air vent in tank cap	Clean fuel tank cap
		Faulty carburetor	◇
	Spark plugs fouled by fuel	Clogged air cleaner	Clean
		Incorrect grade/type of fuel	Change fuel
		Water in fuel	
		Over rich fuel/air mixture	Open choke. ◇
		Faulty carburetor	◇

Symptom		Probably Cause	Remedy
	No spark or weak spark	Faulty spark plugs	Replace spark plugs
		Engine switch left in "OFF" position	Turn engine switch to "START" position (See <b>M</b> )
		Faulty ignition coil	◇
Low output	Engine overheats	Clogged air cleaner	Clean
		Air inlet screen or cooling air path clogged with dirt	
		Insufficient engine oil	Replenish or change oil
		Poor ventilation around engine	Select a better location
		Carbon build-up in combustion chamber	◇
	Engine speed won't increase	Faulty governor	◇

◇: Service to be performed by an authorized Kawasaki engine dealer or equally qualified service facility.

**M:** For Control Panel Switch Type, move the throttle lever on the equipment away from its low speed end to turn the engine switch to "START" position.



# **ENVIRONMENTAL PROTECTION**

To protect our environment, properly discard used batteries, engine oil, gasoline, coolant, or other components that you might dispose of in the future.

Consult an authorized Kawasaki engine dealer or equally qualified service facility or local environmental waste agency for their proper disposal procedure.

# SPECIFICATIONS

	FS481V, FS541V, FS600V
Type	Air-cooled, 4-stroke vertical shaft OHV, gasoline engine
Bore × Stroke	73 × 72 mm (2.88 × 2.84 in.)
Displacement	603 mL (36.8 cu.in)
Ignition Type	Fly wheel magneto fixed timing type
Direction of Rotation	Counterclockwise facing the PTO Shaft
Starting System	Electric starter/Recoil Starter
Dry Weight : kg (lbs)	36.7 (80.9)

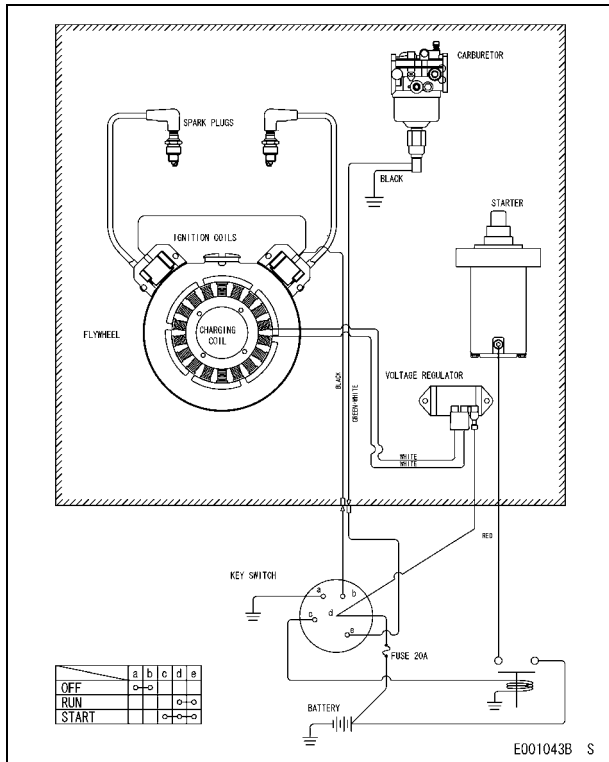
## NOTE

- *Specifications are subject to change without notice.*
- *Dry weight excludes that of fuel tank and muffler.*

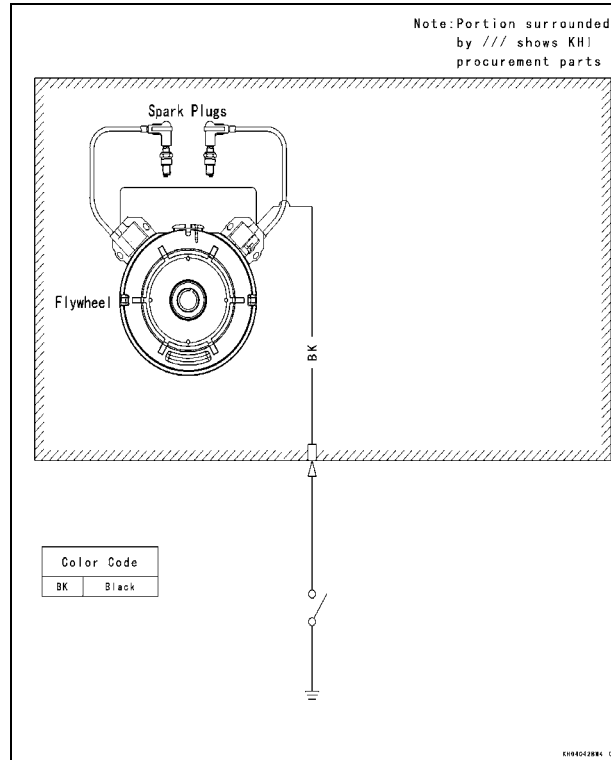
# WIRING DIAGRAM

## Wiring Diagram

### [Electric Starter Model]



### [Recoil Starter Model]



**NOTE**

- *Portion Surrounded by hatching Shows Kawasaki Procurement Parts.*

** WARNING**

**Prevent sparks and/or electrical system damage by removing the negative (-) cable from the battery before attempting any repair or maintenance.**

**Battery Capacity Recommended**

Battery Capacity
------------------

12 V 550 CCA Class
--------------------

**ESPAÑOL**

# **Motor de propósito general Manual del propietario**

Instrucciones originales



# PRECAUCIONES DE SEGURIDAD

Siempre que vea los símbolos que se muestran a continuación, preste atención a las instrucciones. Siga siempre prácticas seguras de funcionamiento y mantenimiento.

## PELIGRO

**PELIGRO** indica una situación peligrosa que, de no evitarse, provocará daños personales graves o un accidente mortal.

## ADVERTENCIA

**ADVERTENCIA** indica una situación peligrosa que, de no evitarse, puede provocar daños personales graves o un accidente mortal.

## PRECAUCIÓN

**PRECAUCIÓN** indica una situación peligrosa que, de no evitarse, puede provocar daños personales leves o moderados.

## **AVISO**

Los **AVISOS** se utilizan para aquellas prácticas en las que no hay riesgo de daños personales.

## NOTA

- *Este símbolo de nota indica puntos de interés determinados para un funcionamiento más eficaz y práctico.*

**LEA LAS INSTRUCCIONES DE FUNCIONAMIENTO DEL EQUIPO EN EL QUE SE UTILICE ESTE MOTOR.**

© 2010 Kawasaki Heavy Industries, Ltd.

(2): Abril de 2018 (M)



# LÉAME PRIMERO

Por su seguridad, asegúrese de leer y comprender este manual del propietario antes de utilizar este MOTOR.

## PELIGRO

Los gases del tubo de escape contienen monóxido de carbono, un gas tóxico, incoloro e inodoro. La inhalación de monóxido de carbono puede provocar lesiones cerebrales graves o la muerte. NO ponga en marcha el motor en espacios cerrados. Póngalo en marcha únicamente en lugares bien ventilados. La gasolina es muy inflamable y puede explotar en determinadas condiciones, con el consiguiente riesgo de quemaduras graves. Al realizar el repostaje, revisión del sistema de combustible, vaciado de gasolina y/o ajuste del carburador: Antes de repostar, pare el motor y deje que se enfríe. NO fume. Asegúrese de que el área esté bien ventilada y que no haya ninguna fuente de llamas o chispas, incluidos aparatos con llama piloto. NO rellene el depósito de forma que el nivel de combustible sobrepase la boca de llenado o la superficie de nivel del indicador de nivel. Si se sobrepasa, el calor puede hacer que el combustible salga y desborde por los orificios de ventilación de la tapa del depósito. Limpie inmediatamente la gasolina que se haya derramado. Los motores pueden calentarse considerablemente durante el normal funcionamiento. Para evitar el riesgo de incendio: Separe el motor al menos 1 m (3,3 pies) de cualquier edificio, obstrucción u otro tipo de objeto inflamable. NO coloque objetos inflamables cerca del motor. NO deje expuesto el tubo de escape del motor a materiales combustibles. NO utilice el motor en ningún terreno no construido en el que haya árboles, maleza o pastos, a menos que haya instalado un apagachispas en el silenciador. Para evitar el riesgo de descarga eléctrica, NO toque las bujías de encendido, sus capuchones o cables cuando el motor esté funcionando. Para evitar quemaduras graves, NO toque el motor o el silenciador cuando estén calientes. El motor se calienta con el uso. Antes de reparar o extraer piezas, pare el motor y deje que se enfríe. NO ponga las manos ni los pies cerca de las piezas que se mueven o giran. Coloque una cubierta de protección sobre la polea, la correa trapezoidal o el acoplamiento. NO utilice el motor a velocidades excesivas, ya que se podrían causar heridas graves. Retire siempre los capuchones de las bujías de encendido al realizar el mantenimiento del motor para evitar que éste se encienda por accidente.

Asegúrese de leer y comprender las etiquetas de advertencia situadas en el motor. Si falta alguna etiqueta, está rota o desgastada, obtenga una de recambio en un distribuidor autorizado de motores Kawasaki y colóquela en el lugar correcto.

# INFORMACIÓN SOBRE CONTROL DE EMISIONES

## Información sobre el combustible

ESTE MOTOR ESTÁ CERTIFICADO PARA FUNCIONAR ÚNICAMENTE CON GASOLINA NORMAL SIN PLOMO.

Se recomienda el uso de un mínimo de 87 octanos del índice antidetonante. El índice antidetonante se anuncia en los surtidores de las estaciones de servicio de Estados Unidos.

## Información sobre control de emisiones

Para proteger el medio ambiente en el que vivimos, Kawasaki ha incorporado un sistema de control de emisiones de escape que cumple las normativas vigentes de la Agencia de Protección Ambiental de los Estados Unidos y la Junta de Recursos del Aire de California. Asimismo, dependiendo de la fecha de fabricación del motor, puede tener asignado un periodo de durabilidad de las emisiones.

\*Consulte a continuación el periodo de durabilidad de las emisiones del motor que puede aplicarse a su motor.

## Sistema de control de emisiones de escape

El sistema de control de emisiones de escape aplicado a este motor consta de un carburador y un sistema de inyección que dispone de características óptimas de reglaje del encendido. El carburador ha sido calibrado para poder proporcionar características específicas de mezcla de aire/combustible y un ahorro óptimo de combustible con un filtro de aire y sistema de escape adecuados.

Con el propósito de eliminar los gases de combustión, también se incorpora un sistema de control de emisiones del cárter sellado. Los gases de combustión se dirigen hacia una cámara con respiradero a través del cárter y, desde allí, al filtro de aire.

## Periodo de conformidad de las emisiones del motor

### California

#### Motores mayores o iguales que 225 cc

Periodo de durabilidad: 500 horas

### Resto de estados

#### Motores mayores o iguales que 225 cc

Periodo de durabilidad: 500 horas (Categoría B)

**Si su motor tiene asignado un periodo de durabilidad de las emisiones, figurará en la etiqueta de certificación fijada en el motor (INFORMACIÓN IMPORTANTE DEL MOTOR).**

### **Información de ajuste del rendimiento a gran altitud**

Para mejorar el RENDIMIENTO DEL CONTROL DE EMISIONES de los motores que funcionan a altitudes superiores a 1.000 metros (3.300 pies), Kawasaki requiere las siguientes modificaciones aprobadas por la Agencia de Protección Ambiental (EPA) y el Consejo de Recursos Atmosféricos de California (CARB). El ajuste para gran altitud requiere la sustitución de las toberas principales del carburador. La instalación de estas piezas opcionales puede realizarse a través de un distribuidor autorizado de motores Kawasaki o instalación de mantenimiento con similar cualificación, siguiendo las recomendaciones que se especifican en el documento de mantenimiento o catálogo de piezas correspondiente de Kawasaki.

La operación del motor con una disposición incorrecta a una determinada altitud podría causar el aumento de las emisiones y reducir la eficiencia y el rendimiento del combustible.

### **NOTA**

*○ Cuando se realizan correctamente, estas modificaciones especificadas no se consideran como una "alteración" del sistema de emisiones y, normalmente, el rendimiento no varía.*

### **Mantenimiento y garantía**

Resulta necesario realizar un mantenimiento adecuado para asegurar que el motor mantenga niveles bajos de emisiones. Este Manual del propietario incluye las recomendaciones de mantenimiento para su motor. Los elementos identificados por el Gráfico de mantenimiento periódico resultan necesarios para garantizar el cumplimiento de las normas aplicables.

El propietario del motor es responsable de garantizar la realización del mantenimiento recomendado de conformidad con las instrucciones indicadas en este Manual del propietario, y asumirá el coste correspondiente.

La Garantía limitada del sistema de control de emisiones de Kawasaki requiere la devolución del motor a un concesionario autorizado Kawasaki para realizar las medidas de subsanación necesarias bajo la garantía. Lea la garantía atentamente y mantenga su validez mediante el cumplimiento de las obligaciones estipuladas del propietario.

### **Alteración prohibida con el sistema de control de emisiones**

La legislación federal prohíben los siguientes actos o la inducción a realizarlos: (1) la retirada o desactivación por parte de cualquier persona, excepto que se realice por motivos de mantenimiento, reparación o sustitución, de cualquier dispositivo o elemento de diseño incorporado en cualquier motor nuevo para fines de control de

emisiones antes de su venta o entrega al comprador final o mientras se encuentre en uso, o (2) el uso del motor después de que cualquier persona haya retirado o desactivado dicho dispositivo o elemento de diseño.

La manipulación de las siguientes piezas originales relacionadas con la emisión se encuentra entre los actos considerados como manipulación indebida.

- Carburador y sus piezas internas
- Bujía de encendido
- Sistema de encendido por magneto
- Elemento del filtro de combustible
- Elementos del filtro de aire
- Cárter
- Cabezas de cilindros
- Cámara con respiradero y piezas internas
- Conducto y tubo de admisión
- Silenciador o cualquier parte interna del silenciador

# PRÓLOGO

Este Manual del propietario tiene por objeto ayudarle en la operación segura y fiable de su Motor. LÉALO Y ENTIÉNDALO A FONDO ANTES DE PONER EN FUNCIONAMIENTO SU MOTOR.

LEA LAS INSTRUCCIONES DE FUNCIONAMIENTO DEL EQUIPO EN EL QUE SE UTILICE ESTE MOTOR.

Para garantizar que el motor tenga una vida útil larga y sin averías, aplíquelo un cuidado y mantenimiento adecuados de conformidad con este manual.

Tenga en cuenta que las fotografías e ilustraciones de este manual se basan en el modelo FS600V como ejemplo habitual entre otros modelos similares.

Todos los derechos reservados. Ninguna parte de esta publicación podrá reproducirse, almacenarse en un sistema de recuperación o transmitirse de cualquier forma o medio, ya sea de forma electrónica, mecánica, mediante fotocopia o de otra forma, sin el consentimiento previo por escrito de Kawasaki Heavy Industries, Ltd., Consumer Products & Machinery Company. Aunque se ha puesto el máximo cuidado para que este manual sea lo más completo y preciso posible, Kawasaki no puede garantizar que no se produzca ningún error u omisión. Debido a las mejoras en el diseño y rendimiento durante la producción, los procedimientos y especificaciones están sujetos a cambio sin previa notificación. Las ilustraciones se proporcionan únicamente como referencia general, y los aspectos y componentes reales del producto podrían variar.



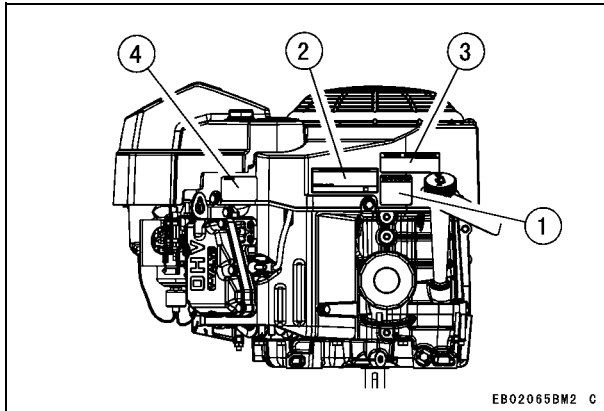
# ÍNDICE

<b>INFORMACIÓN GENERAL</b> .....	13	Elemento de espuma .....	35
Ubicación de las etiquetas .....	13	Elemento de papel .....	35
Ubicación de las piezas .....	15	Mantenimiento de la bujía de encendido .....	36
Especificaciones de puesta a punto .....	17	Mantenimiento del filtro y la bomba de com- bustible .....	37
Capacidad de aceite del motor .....	17	Limpieza del sistema de refrigeración .....	37
<b>RECOMENDACIONES DE COMBUSTIBLE Y</b>		<b>ALMACENAMIENTO</b> .....	40
<b>ACEITE</b> .....	18	Procedimiento de almacenamiento del motor ..	40
Combustible .....	18	<b>SOLUCIÓN DE AVERÍAS</b> .....	42
Aceite del motor .....	19	<b>PROTECCIÓN MEDIOAMBIENTAL</b> .....	44
<b>PREPARACIÓN</b> .....	20	<b>ESPECIFICACIONES</b> .....	45
Combustible .....	20	<b>DIAGRAMA DEL CABLEADO</b> .....	46
Aceite del motor .....	20	Diagrama del cableado .....	46
<b>ARRANQUE</b> .....	22		
Puesta en marcha del motor .....	22		
<b>FUNCIONAMIENTO</b> .....	25		
Calentamiento .....	25		
Inclinación del motor .....	25		
<b>PARADA</b> .....	26		
Parada del motor .....	26		
Parada de emergencia .....	26		
<b>AJUSTE</b> .....	27		
Instalación y ajuste del cable del acelerador ...	27		
Instalación y ajuste del cable del estrangulador	27		
	27		
Ajuste de la velocidad del motor .....	28		
<b>MANTENIMIENTO</b> .....	29		
Tabla de mantenimiento periódico .....	30		
Comprobación del nivel de aceite .....	32		
Cambio de aceite .....	32		
Cambio del filtro de aceite .....	33		
Mantenimiento del filtro de aire .....	35		



# INFORMACIÓN GENERAL

## Ubicación de las etiquetas



1. Etiqueta de advertencia
2. Etiqueta de información importante sobre el motor
3. Etiqueta de mantenimiento de motor
4. Etiqueta del número de serie del motor

El número de serie del motor es el único medio para identificar específicamente su motor con respecto de otros del mismo tipo de modelo.

Necesitará el número de serie del motor cuando realice un pedido de piezas al distribuidor autorizado de motores Kawasaki o a una instalación de mantenimiento con similar cualificación.

## 14 INFORMACIÓN GENERAL

Inglés

Traducción al español



### ENGINE MAINTENANCE



1. CHECK OIL LEVEL
2. CHECK & CLEAN AIR CLEANER
3. CLEAN SCREEN & FINS
4. CHANGE OIL & OIL FILTER

REFER TO OWNER'S MANUAL FOR FURTHER INFORMATION

### MANTENIMIENTO DEL MOTOR

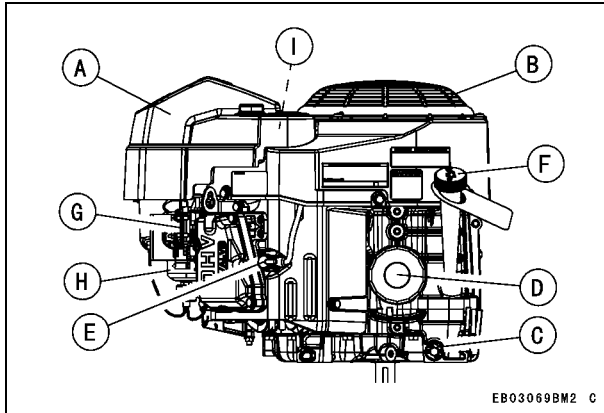


1. REVISAR EL NIVEL DE ACEITE
2. REVISAR Y LIMPIAR EL FILTRO DE AIRE
3. LIMPIAR LAS REJILLAS Y LAS ALETAS
4. CAMBIAR EL ACEITE Y EL FILTRO DE ACEITE

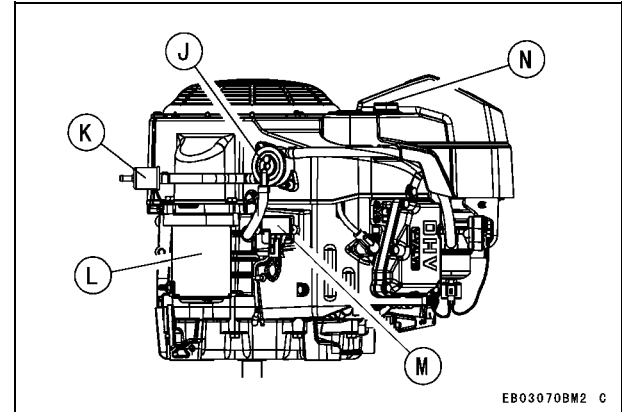
PARA OBTENER MÁS INFORMACIÓN, CONSULTAR EL MANUAL DEL PROPIETARIO.

## Ubicación de las piezas

[Modelo con motor de arranque eléctrico]



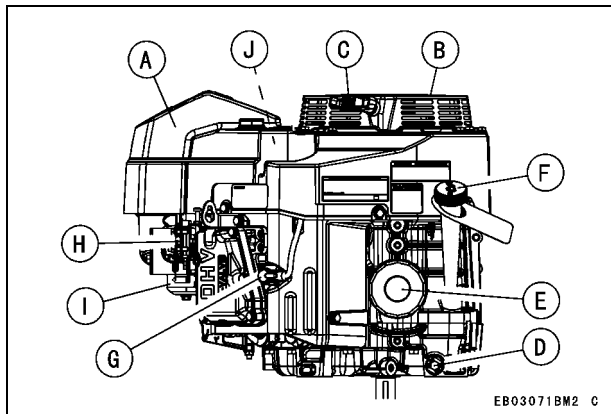
- A. Filtro de aire (interior A)
- B. Protector de la entrada de aire
- C. Tapón de drenaje de aceite
- D. Filtro de aceite
- E. Capuchones de las bujías de encendido/bujías de encendido
- F. Indicador de nivel/tapón de llenado de aceite
- G. Panel de control
- H. Carburador
- I. Orificios de inspección



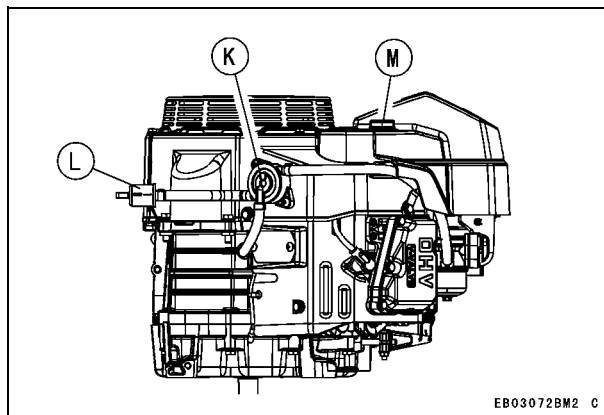
- J. Bomba de combustible
- K. Filtro de combustible
- L. Motor de arranque eléctrico
- M. Regulador de tensión
- N. Tuercas

## 16 INFORMACIÓN GENERAL

[Modelo con arrancador de retroceso]



- A. Filtro de aire (interior A)
- B. Arrancador de retroceso
- C. Asa del arrancador de retroceso
- D. Tapón de drenaje de aceite
- E. Filtro de aceite
- F. Indicador de nivel/tapón de llenado de aceite
- G. Capuchones de las bujías de encendido/bujías de encendido
- H. Panel de control
- I. Carburador
- J. Orificios de inspección



- K. Bomba de combustible
- L. Filtro de combustible
- M. Tuercas

### Especificaciones de puesta a punto

ELEMENTO	Especificaciones
Reglaje del encendido	No permite ajuste
Bujías de encendido: Separación entre los electrodos	NGK BPR4ES 0,75 mm (0,030 pulg.)
Ralentí mínimo	1.550 rpm
Ralentí máximo	3.600 rpm
Holgura de las válvulas	Interior 0,10 a 0,15 mm (0,004 a 0,006 pulg.) Exterior 0,10 a 0,15 mm (0,004 a 0,006 pulg.)
Otras especificaciones	No se necesitan otros ajustes

#### NOTA

- *El ralentí máximo y mínimo pueden variar en función del equipo en el que se utilice el motor. Consulte la especificación del equipo.*

### Capacidad de aceite del motor

#### Capacidad de aceite del motor

FS481V FS541V FS600V	1,5 L (1,6 US·qt) [cuando no se ha retirado el filtro de aceite]
	1,7 L (1,8 US·qt) [cuando se ha retirado el filtro de aceite]

# RECOMENDACIONES DE COMBUSTIBLE Y ACEITE

---

## Combustible

---

Utilice sólo gasolina de tipo normal sin plomo, limpia y sin reciclar.

<b>AVISO</b>
--------------

<b>No mezcle aceite con gasolina.</b>
---------------------------------------

## Octanaje

El octanaje de una gasolina es una medida de sus resistencia ante la "detonación". El índice anti-detonante recomienda el uso de un mínimo de 87 octanos. El índice antidetonante se anuncia en los surtidores de las estaciones de servicio de Estados Unidos.

**Índice antidetonante:  $(RON + MON)/2$**

**RON = Research Octane Number (Octanaje del medido en el laboratorio)**

**MON = Motor Octane Number (Octanaje del motor)**

## NOTA

○ Si se producen "detonaciones o golpeteo", utilice otra marca de gasolina o un octanaje superior.

## Compuestos oxigenados

A la gasolina se le añaden compuestos oxigenados (etanol o MTBE). Si utiliza combustible oxigenado, asegúrese de que no contenga plomo y de que cumpla los requisitos mínimos de octanaje.

A continuación se detallan los porcentajes aprobados por EPA de compuestos oxigenados en el combustible.

**ETANOL:** (Alcohol etílico o de grano)

Puede utilizar gasolina que contenga un volumen de hasta un 10% de etanol.

**MTBE:** (Metilterbutil éter)

Puede utilizar gasolina que contenga un volumen de hasta un 15% de MTBE.

**METANOL:** (Alcohol de metilo o de madera) 5% en volumen

Puede utilizar gasolina que contenga un volumen de hasta un 5% de metanol, siempre que también contenga codisolventes e inhibidores de corrosión para proteger el sistema de combustible. La gasolina que contenga más de un 5% de volumen de metanol puede producir problemas de arranque o rendimiento. También puede dañar las piezas de metal, goma y plástico del sistema de combustible.

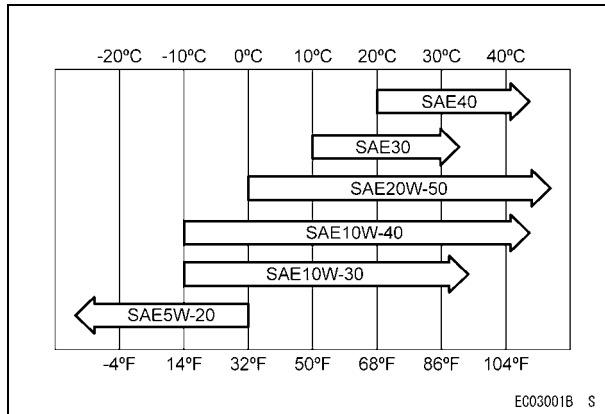
## Aceite del motor

Se recomiendan los siguientes aceites para el motor.

Clasificación del servicio API: Clase SJ o SL

### Viscosidad del aceite

Seleccione la viscosidad en función de la temperatura, según se explica a continuación:



### NOTA

○ A pesar de que se recomienda utilizar el aceite del motor 10W-40 para la mayoría de las condiciones, puede que resulte necesario cambiar la viscosidad del aceite según las condiciones atmosféricas. El uso de aceite 20W-50 a temperaturas ambiente más altas puede reducir el consumo de aceite.

# PREPARACIÓN

## Combustible

### ADVERTENCIA

La gasolina es extremadamente inflamable y puede ocasionar explosiones en determinadas condiciones, con el consiguiente riesgo de causar quemaduras graves. Desactive el interruptor de contacto. No fume. Asegúrese de que el área esté bien ventilada y de que no exista riesgo alguno de que se produzcan llamas o chispas; esto incluye cualquier dispositivo con llama piloto. No llene nunca el depósito hasta arriba. Si llena completamente el depósito hasta arriba, el calor puede provocar la expansión del combustible, el cual se desbordará por los respiraderos del tapón del depósito. Tras repostar, verifique que el tapón del depósito quede bien cerrado. Si se derrama gasolina fuera del depósito, límpiela inmediatamente.

## Aceite del motor

Revise el aceite del motor diariamente antes de poner en marcha el motor, de lo contrario, la escasez de aceite del motor podría causar daños graves al motor, como por ejemplo, el agarrotamiento.

- Coloque el motor sobre una superficie nivelada. Limpie el área alrededor del indicador de aceite antes de extraerlo.
- Extraiga el indicador de aceite (A) y límpielo con un paño limpio.
- Añada el aceite lentamente hasta la marca “FULL” (Lleno) del indicador de nivel de aceite.
- Inserte el indicador de aceite en el tubo (B), SIN ENROSCARLO.
- Extraiga el indicador de aceite (A) y compruebe el nivel de aceite. El nivel debe encontrarse entre las marcas “ADD” (Añadir) y “FULL” (Lleno). No llene en exceso.
- Instale y apriete el indicador de aceite (A).

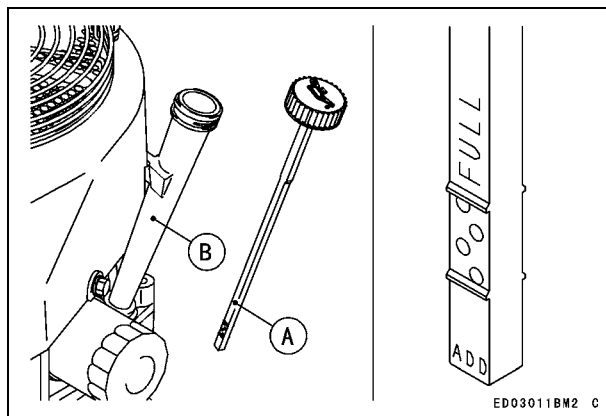
### AVISO

No llene por encima de la marca “FULL” (Lleno). El exceso de aceite causará la formación de humo y un posible sobrecalentamiento del motor.



**Capacidad de aceite del motor**

FS481V FS541V FS600V	1,5 L (1,6 US·qt) [cuando no se ha retirado el filtro de aceite]
	1,7 L (1,8 US·qt) [cuando se ha retirado el filtro de aceite]

**AVISO**

**Este motor se expide sin aceite de motor.**

# ARRANQUE

## Puesta en marcha del motor

### PELIGRO

Los gases del tubo de escape contienen monóxido de carbono, un gas tóxico, incoloro e inodoro. La inhalación de monóxido de carbono puede provocar lesiones cerebrales graves o la muerte. **NO** ponga en marcha el motor en espacios cerrados. Póngalo en marcha únicamente en lugares bien ventilados.

### ADVERTENCIA

El escape del motor puede inflamar los materiales combustibles y provocar un incendio. Mantenga despejada la zona cercana a la salida de escape. Coloque la unidad de forma que dicha salida esté orientada hacia un área despejada y en una ubicación con una distancia de al menos un metro (3,3 pies) de cualquier obstrucción.

### NOTA

- Tenga en cuenta lo siguiente para arrancar el motor sin problemas cuando las temperaturas sean bajas.

- Utilice el aceite adecuado para la temperatura prevista (consulte el capítulo RECOMENDACIONES SOBRE EL COMBUSTIBLE Y EL ACEITE).
- Utilice gasolina nueva.
- No deje el motor ni el equipo a la intemperie cuando no se esté utilizando.

### NOTA

- *Siga las instrucciones de funcionamiento del equipo en el que se utilice este motor.*
- Antes de arrancar el motor, desconecte todas las posibles cargas exteriores.
- Abra la válvula de combustible (A) del equipo.
- Mueva la palanca del acelerador del tablero de instrumentos a la posición intermedia.
- Utilice la máxima aceleración cuando el motor está frío, pero en días calurosos o cuando el motor ya está caliente, utilice la aceleración intermedia o deje el estrangulador completamente abierto.

### [Modelo con motor de arranque eléctrico]

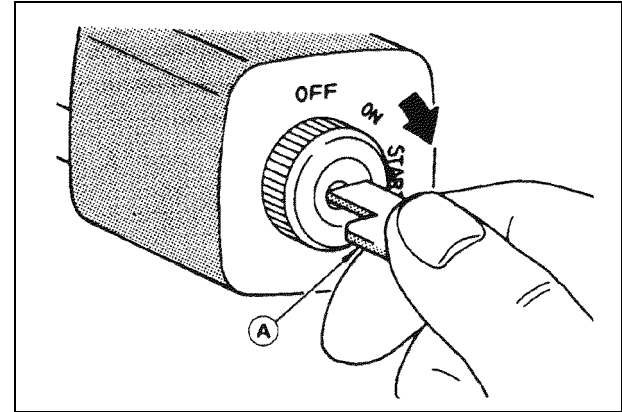
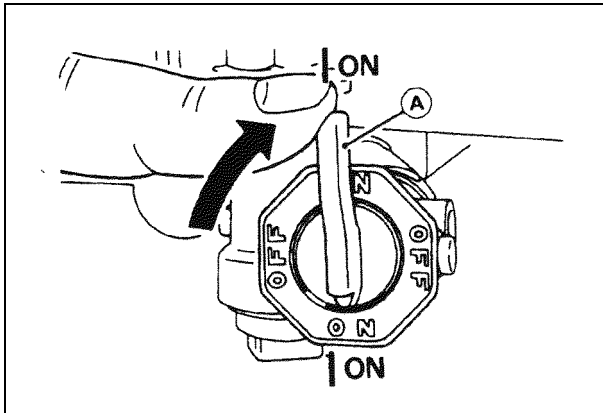
- Ponga la llave en el interruptor de encendido.
- Gire la llave hasta la posición “START” (Arranque) del interruptor de encendido. Normalmente el motor se pone en marcha en menos de 3 segundos.

**AVISO**

No accione continuamente el motor de arranque eléctrico durante más de 5 segundos, de lo contrario, la batería se podrá descargar rápidamente. Si el motor no arranca enseguida, espere 15 segundos y vuelva a intentarlo.

**NOTA**

- Cuando el motor está muy caliente o cuando el motor no arranca inmediatamente, NO siga intentando arrancar con el estrangulador cerrado ya que causará el ahogamiento y el arranque se hará más difícil.
- En su lugar, abra completamente el estrangulador y arranque el motor.

**AVISO**

**Siempre que arranque el motor, compruebe que la luz de aviso no se encienda después del arranque. Si la luz se enciende, pare el motor inmediatamente y compruebe el nivel de aceite (de equiparse).**

- Después de arrancar el motor, regrese gradualmente la palanca del acelerador a la posición de apertura completa.

## 24 ARRANQUE

### [Modelo con arrancador de retroceso]

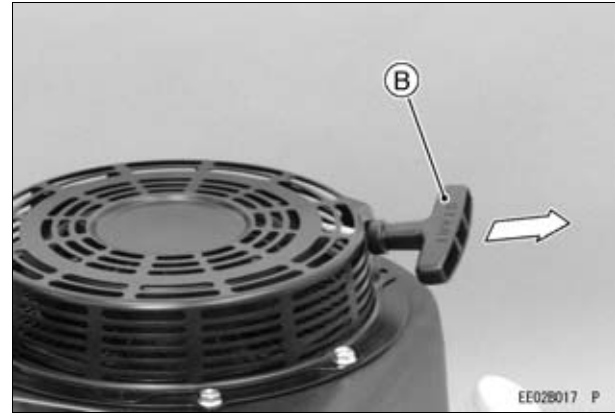
- Ponga la llave en el interruptor de encendido.
- Gire la llave hasta la posición "ON" del interruptor de encendido.
- Tire lentamente del asa [B] del arrancador de retroceso hasta notar compresión y luego tire rápidamente del asa.

### **AVISO**

**No permita que la cuerda de retroceso regrese abruptamente por sí misma. Se podrá dañar el cable o el conjunto del arrancador de retroceso.**

### **NOTA**

- Si el motor no arranca después de tres intentos, abra el estrangulador y vuelva a intentarlo.



# FUNCIONAMIENTO

## Calentamiento

Después de arrancar el motor, mueva la palanca del acelerador (A) del equipo a una posición intermedia entre “FAST” (Rápido) y “SLOW” (Lento).

Para calentar el motor, hágalo funcionar de 3 a 5 minutos con la palanca del acelerador en la misma posición de aceleración (intermedia) antes de poner el equipo bajo carga. A continuación, mueva la palanca del acelerador (A) del equipo hasta su posición “FAST” (Rápido).

### **AVISO**

**Deje que el equipo se caliente lo suficiente (de 3 a 5 minutos al ralentí) antes de acelerarlo. De esta forma el aceite llega a todas las partes del motor y permite que la holgura del pistón alcance las especificaciones de diseño.**

### **AVISO**

**Mientras se calienta el motor, asegúrese de que la luz de aviso (presión de aceite) no se encienda en el tablero de instrumentos. La luz de aviso no debe encenderse (de equiparse) durante la operación del motor.**

## Inclinación del motor

Este motor funcionará de forma continuada con inclinaciones de hasta 25° en cualquier dirección.

Lea las instrucciones de funcionamiento del equipo en el que se utilice este motor. Debido al diseño o a la aplicación de dicho equipo, pueden existir restricciones más estrictas respecto al ángulo de funcionamiento.

### **AVISO**

**No utilice este motor de forma continuada con inclinaciones superiores a 25° en cualquier dirección, ya que se podrían producir daños en el mismo debido a una falta de lubricación.**

# PARADA

---

## Parada del motor

---

### **ADVERTENCIA**

Dejar el equipo con la llave colgada en el encendido podría dar lugar a la operación por parte de personal inexperto. Podría provocar un accidente grave y lesiones. Siempre retire la llave del equipo desatendido.

### Parada normal

- Mueva la palanca del acelerador hasta la posición “**SLOW**” (Lento).
- Déjelo funcionar a la velocidad “**SLOW**” (Lento) durante aproximadamente un minuto.

### **AVISO**

Si el motor se estaba utilizando a alta velocidad y se para de repente, se pueden producir daños en el mismo debido al funcionamiento en vacío o a la persistencia de la combustión durante el periodo de expansión. Antes de apagar el motor, reduzca la velocidad del motor hasta el ralentí durante un minuto.

- Gire la llave de contacto del motor hasta la posición "OFF" (Apagado).

### Parada de emergencia

- Gire inmediatamente la llave de contacto del motor hasta la posición "OFF" (Apagado).
- Cierre la válvula de combustible del equipo.

# AJUSTE

---

## Instalación y ajuste del cable del acelerador

---

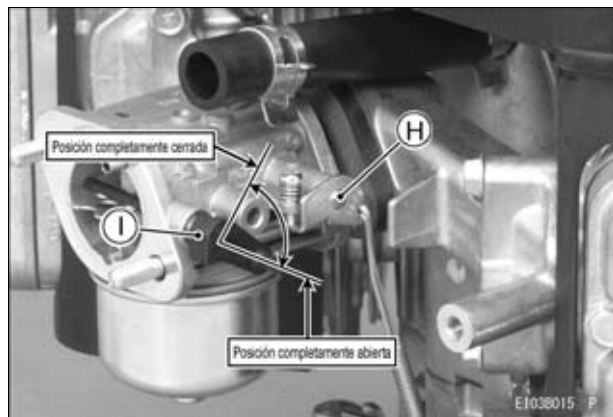
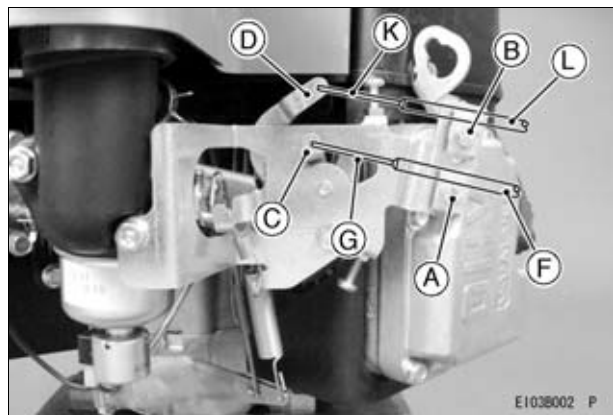
- Conecte el cable del acelerador (G) a la palanca de control de velocidad (C) y sujete ligeramente el alojamiento exterior (F) del cable del acelerador con el perno de fijación del cable (A).
- Mueva la palanca del acelerador hasta la posición "FAST" (Rápido).
- Levante el alojamiento exterior (F) del cable del acelerador hasta que el cable interior (G) quede prácticamente sin flojedad y apriete el perno de fijación del cable (A).
- Mueva la palanca del acelerador hasta la posición "SLOW" (Lento). Asegúrese de que la válvula de mariposa (H) del carburador se mueve suavemente.

---

## Instalación y ajuste del cable del estrangulador

---

- Conecte el cable del acelerador (K) a la palanca de control del estrangulador (D) y apriete ligeramente el alojamiento exterior (L) del cable del estrangulador con el perno de fijación del cable (B).
- Mueva el control del estrangulador del equipo a la posición "OPEN" (Abierto). Asegúrese de que la válvula del estrangulador del carburador (I) esté completamente abierta.
- Levante el alojamiento exterior (L) del cable del estrangulador hasta que el cable interior (K) quede prácticamente sin flojedad y apriete el perno de fijación del cable (B).
- Mueva el control del estrangulador del equipo a la posición "CHOKE" (Estrangulador). Asegúrese de que la válvula del estrangulador del carburador (I) esté completamente cerrada.
- Cuando accione el control del estrangulador del equipo, asegúrese de que la válvula del estrangulador gire de la posición totalmente cerrada a totalmente abierta.



### Ajuste de la velocidad del motor

#### NOTA

- No trate de modificar el ajuste del regulador o del carburador para aumentar la velocidad del motor. Los carburadores vienen ajustados de fábrica y con un tapón o placa de tope en cada tornillo de mezcla.
- Si fuera necesario realizar algún ajuste, éste lo debe realizar un distribuidor autorizado de motos Kawasaki o instalación de servicio con similar cualificación.



# MANTENIMIENTO

**El mantenimiento, sustitución o reparación de los dispositivos y sistemas de control de emisiones  pueden realizarse a través de cualquier taller o técnico de motores no diseñados para vehículos.**

## 30 MANTENIMIENTO

### Tabla de mantenimiento periódico

#### ADVERTENCIA

Evite el arranque accidental durante el servicio del motor retirando las tapas de las bujías.

#### NOTA

○ Los intervalos de mantenimiento se pueden utilizar como guía. El mantenimiento se deberá realizar con □ mayor frecuencia dependiendo de las condiciones de funcionamiento.

◆: Realizar el mantenimiento con mayor frecuencia en condiciones de mucho polvo.

◇: El mantenimiento se realizará a través de un distribuidor autorizado de motores Kawasaki o centro de servicio de similar cualificación.

MANTENIMIENTO	INTERVALO				
	Diario	Cada 25 h	Cada 100 h	Cada 200 h	Cada 300 h
Comprobar y añadir aceite de motor.	●				
Comprobar si hay tuercas o tornillos flojos o falta alguno de estos elementos.	●				
Comprobar si hay fugas de combustible o de aceite.	●				
Comprobar el nivel de electrolito de la batería.	●				
◆ Comprobar o limpiar la rejilla de entrada de aire.	●				
◆ Limpiar el elemento de espuma del filtro de aire.		●			
◆ Comprobar los orificios de inspección y limpiar.		●			
◆ Limpiar el elemento de papel del filtro de aire.			●		

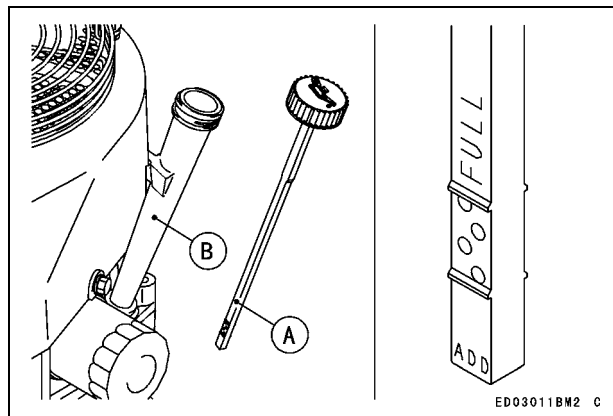
MANTENIMIENTO	INTERVALO				
	Diario	Cada 25 h	Cada 100 h	Cada 200 h	Cada 300 h
◆ Limpiar el polvo y la suciedad del cilindro y aletas de la cabeza del cilindro.			●		
Apretar las tuercas y tornillos.			●		
Cambiar el aceite del motor.			●		
Limpiar y reajustar la separación entre los electrodos de las bujías de encendido.			●		
Cambiar el filtro de aceite.				●	
◆ Sustituir el elemento de papel del filtro de aire				●	
◇ Limpiar la cámara de combustión.					●
◇ Comprobar y ajustar la holgura de las válvulas.					●
◇ Limpiar y rectificar la superficie de asiento de la válvula.					●

### Comprobación del nivel de aceite

Compruebe el nivel de aceite a diario y antes de cada uso. Asegúrese de que se mantiene el nivel de aceite correcto. Consulte el capítulo “PREPARACIÓN”.

#### Capacidad de aceite del motor

FS481V FS541V FS600V	1,5 L (1,6 US·qt) [cuando no se ha retirado el filtro de aceite]
	1,7 L (1,8 US·qt) [cuando se ha retirado el filtro de aceite]



### Cambio de aceite

Cambie el aceite cada 100 horas.

- Arranque el motor para calentar el aceite.
- Asegúrese de que el motor (equipo) está nivelado.
- Pare el motor.
- Quite el tapón de drenaje de aceite (A) y extraiga el aceite a un contenedor adecuado mientras el motor está caliente.

#### **⚠ ADVERTENCIA**

**El aceite caliente del motor puede provocar quemaduras graves.**

**Deje que la temperatura del motor descienda de caliente a templada antes de extraer y manejar el aceite.**

- Sustituya la junta tórica del tapón de drenaje de aceite por una nueva.
- Aplique grasa a la junta tórica.
- Apriete el tapón de drenaje de aceite.

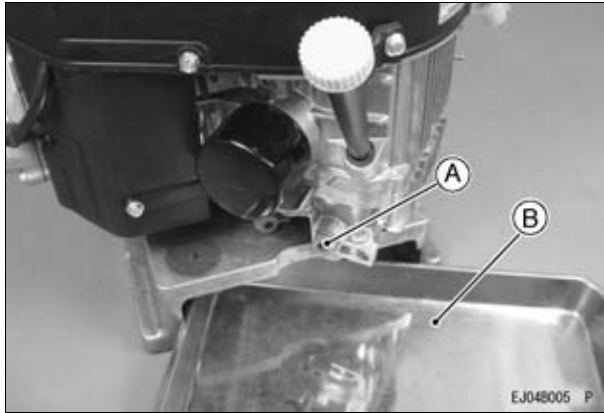
#### Par de apriete

**Tapón de drenaje de aceite:**

**6,9 N·m (0,70 kgf·m, 61 pulg lb)**

- Extraiga el indicador de nivel de aceite y llene con aceite nuevo (consulte el capítulo “RECOMENDACIONES SOBRE EL COMBUSTIBLE Y EL ACEITE”).

- Compruebe el nivel de aceite (para la comprobación del nivel de aceite, consulte el capítulo “PRE-PARACIÓN”).



- A. Tapón de drenaje de aceite  
B. Contenedor adecuado

### **⚠ ADVERTENCIA**

**El aceite del motor es una sustancia tóxica. Deshágase del aceite utilizado de la forma más adecuada. Póngase en contacto con las autoridades locales para obtener información sobre los métodos autorizados de eliminación de residuos o el posible reciclaje.**

## **Cambio del filtro de aceite**

- Cambie el filtro de aceite cada 200 horas de funcionamiento.

### **⚠ ADVERTENCIA**

**El aceite caliente del motor puede provocar quemaduras graves. Deje enfriar el motor hasta una temperatura templada antes de extraer el filtro de aceite.**

- Drene el aceite de motor en un contenedor adecuado (C).

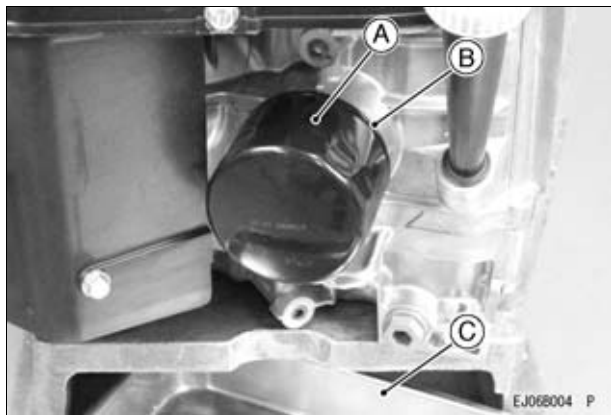
### **AVISO**

**Antes de extraer el filtro de aceite, coloque una bandeja adecuada debajo de la conexión del filtro.**

- Gire el filtro de aceite (A) en el sentido contrario a las agujas del reloj y extráigalo.
- Extienda una película de aceite de motor limpio en el sello del nuevo filtro.
- Instale el nuevo filtro girándolo en el sentido de las agujas del reloj hasta que el sello haga contacto con la superficie de montaje (B). A continuación, gire adicionalmente el filtro 3/4 de vuelta con la mano.
- Añada el aceite de motor especificado.

## 34 MANTENIMIENTO

- Ponga el motor en marcha durante aproximadamente 3 minutos, párelo y revise si hay fugas alrededor del filtro.
- Añada aceite para compensar el descenso del nivel de aceite que resulta de la capacidad del filtro de aceite (para obtener detalles sobre la comprobación del nivel de aceite consulte el capítulo “PREPARACIÓN”).



- A. Filtro de aceite
- B. Superficie de montaje
- C. Contenedor adecuado

### **⚠ ADVERTENCIA**

**El aceite del motor es una sustancia tóxica. Deshágase del aceite utilizado de la forma más adecuada. Póngase en contacto con las autoridades locales para obtener información sobre los métodos autorizados de eliminación de residuos o el posible reciclaje.**

## Mantenimiento del filtro de aire

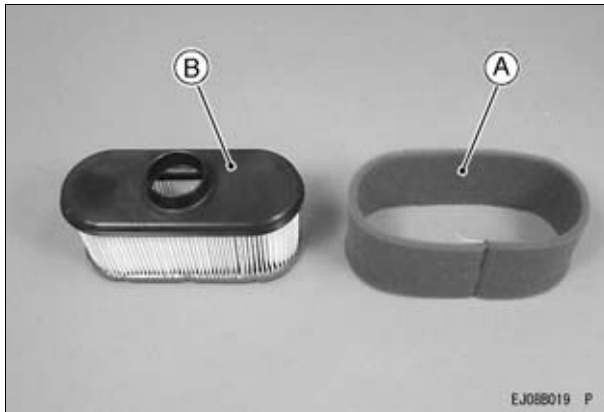
### AVISO

Para evitar el desgaste excesivo del motor, evite que el motor funcione sin filtro de aire.

#### Elemento de espuma

Limpie el elemento de espuma (A) cada 25 horas.

- Lave el elemento en detergente y agua y déjelo secar por completo.



#### Elemento de papel

Limpie el elemento de papel (B) cada 100 horas.

- Limpie el elemento de papel golpeándolo suavemente para quitar el polvo. Si está muy sucio, cambie el elemento por uno nuevo.
- Cámbielo por un elemento de papel nuevo una vez al año o cada 200 horas de uso. Lo que ocurra primero.

### NOTA

- *El funcionamiento en condiciones de polvo podría requerir un mantenimiento más frecuente que lo indicado anteriormente.*

### AVISO

**No lave el elemento de papel.**  
**No aplique aceite al elemento de espuma o de papel.**  
**No utilice aire a presión para limpiar el elemento de papel.**

### Mantenimiento de la bujía de encendido

#### **⚠ ADVERTENCIA**

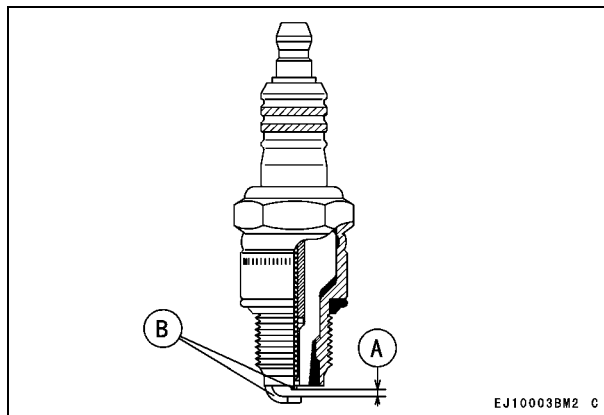
Los motores pueden calentarse considerablemente durante el normal funcionamiento. Los componentes calientes del motor pueden provocar quemaduras graves. Pare el motor y deje que se enfríe antes de comprobar las bujías de encendido.

Limpie o reemplace las bujías de encendido y vuelva a ajustar la separación entre electrodos (A) cada 100 horas de funcionamiento.

- Retire los capuchones de las bujías de encendido y extraiga las bujías.
- Para eliminar los depósitos de carbonilla, limpie los electrodos (B) con un cepillo metálico.
- Inspeccione la porcelana para ver si está agrietada o si presenta desgastes o daños. Si es necesario, sustituya la bujía de encendido por una nueva.
- Compruebe la separación entre los electrodos de la bujía de encendido y reajústela si fuera necesario. La separación debe ser de 0,75 mm (0,030 pulg). Para cambiar la separación, doble sólo el electrodo lateral con una herramienta específica para tal fin.
- Instale y apriete las bujías a 22 N·m (2,2 kgf·m, 16 pies-libra). Conecte los capuchones de las bujías.

#### BUJÍA RECOMENDADA

NGK .....BPR4ES



- A. Distancia mínima entre electrodos
- B. Electrodos



## Mantenimiento del filtro y la bomba de combustible

### ADVERTENCIA

**Muchos disolventes son sumamente inflamables y pueden causar quemaduras graves. El uso incorrecto de disolventes puede causar un incendio o una explosión. No utilice gasolina ni disolventes con baja temperatura de inflamación para limpiar el filtro de combustible o la bomba de combustible. La limpieza se debe realizar siempre en un lugar bien ventilado, lejos de fuentes de chispas o llamas, incluyendo cualquier aparato con luz piloto.**

- El filtro de combustible no se puede desmontar. Si  se obstruye, sustitúyalo por uno nuevo.
- La bomba de combustible no se puede desmontar. Si ésta falla, sustitúyala por una nueva.

## Limpeza del sistema de refrigeración

Antes de cada uso, compruebe que la rejilla (giratoria) (G) de entrada de aire está libre de césped y suciedad y límpiela si fuera necesario. Cuando revise o limpie la rejilla de entrada de aire, afloje los tornillos (F) y retire el protector de entrada de aire (A). Cada 25 horas de funcionamiento, retire la cubierta del filtro de aire y revise el interior del protector a través de los orificios de inspección. Limpie o sople la suciedad o el polvo según se requiera. Cada 100 horas de funcionamiento, revise y limpie las aletas de refrigeración y el interior de los refuerzos del motor para eliminar las hierbas, matas o suciedad que obstruyen el sistema de refrigeración y causan el sobrecalentamiento. Cuando realice la limpieza, retire el filtro de aire (interior E), el protector de entrada de aire (A) y la rejilla (giratoria) (G) de entrada de aire, afloje los pernos (C), (D) y, a continuación, desmonte la carcasa del ventilador (B).

### AVISO

**Para mantener la refrigeración y carburación en condiciones óptimas, no haga funcionar el motor antes de haber reinstalado todas las piezas del sistema de refrigeración.**

## 38 MANTENIMIENTO

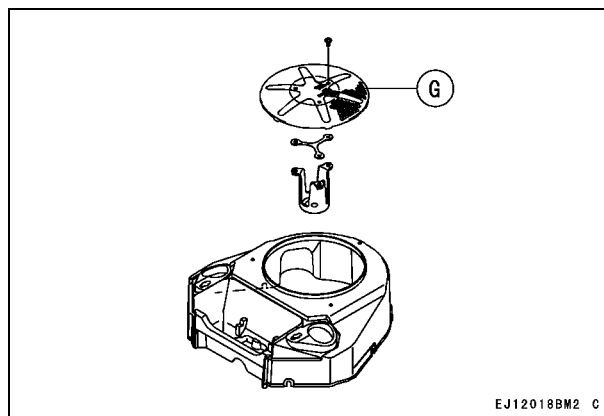
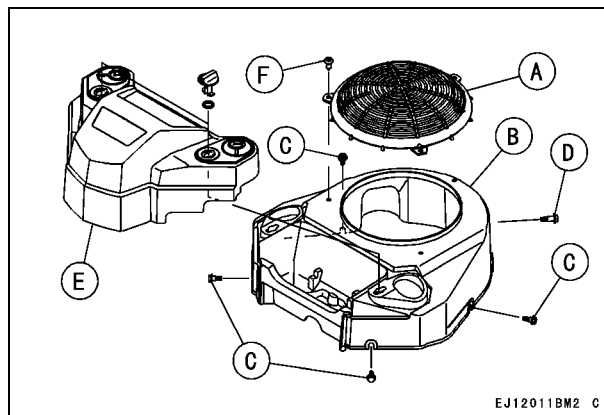
### [Modelo con arrancador de retroceso]

Cuando revise o limpie la rejilla de entrada de aire, afloje los pernos (J) y retire el arrancador de retroceso (H). Cuando revise o limpie las aletas de refrigeración y el interior de los refuerzos del motor, desmonte el filtro de aire (interior I), el arrancador de retroceso (H) y la rejilla (giratoria) (G) de entrada de aire, afloje los pernos (C) (D) y las tuercas (K) y, a continuación, desmonte la carcasa del ventilador (B).

### [Tamaño de los pernos, par de apriete]

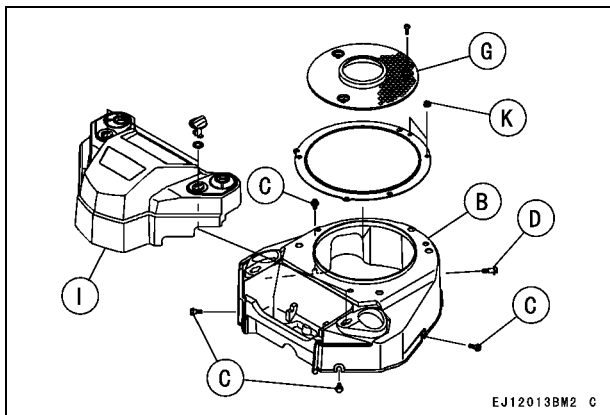
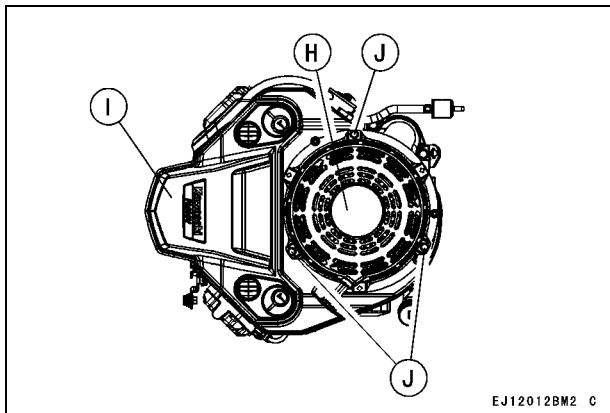
Per-nos	Ta-ma-ño	Eslora	Par de apriete
C	M6	16 mm	8,8 N·m (0,9 kgf·m, 78 pulg lb)
D	M6	22 mm	8,8 N·m (0,9 kgf·m, 78 pulg lb)

### [Modelo con motor de arranque eléctrico]



**Sin protector de la entrada de aire**

[Modelo con arrancador de retroceso]



# ALMACENAMIENTO

## Procedimiento de almacenamiento del motor

Cuando deje su motor Kawasaki sin usar durante más de 30 días, añada estabilizador de combustible al depósito de combustible y hágalo funcionar durante 5 minutos, a continuación, drene el depósito de combustible.

Después de drenar el depósito de combustible, haga funcionar el motor a ralentí bajo hasta que el motor se pare.

### ADVERTENCIA

La gasolina es sumamente inflamable y, en determinadas condiciones, podría explotar. Drene el combustible antes de almacenar el equipo durante períodos de tiempo prolongados. Drene la gasolina en un lugar bien ventilado, lejos de fuentes de chispas o llamas, incluyendo cualquier aparato con luz piloto. Guarde la gasolina en un lugar seguro, dentro de un recipiente aprobado.

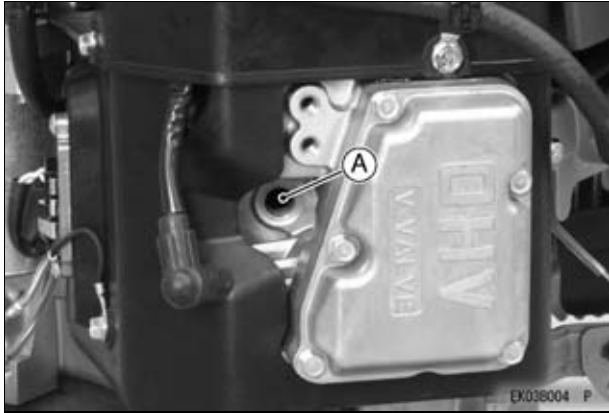
- Retire las bujías y vierta aproximadamente 1 a 2 mL (1/2 cucharadita) de aceite de motor a través de los orificios (A) de las bujías y luego enrosque las bujías después de hacer girar el motor unas cuantas veces. Haga girar el motor lentamente

hasta notar compresión y déjelo en ese punto. Con esto, el aire queda atrapado dentro del cilindro e impide la oxidación dentro del motor.

- Limpie el cuerpo con un paño aceitoso.
- Envuelva el motor con un plástico y guárdelo en un lugar seco.
- Después del almacenamiento, cambie el aceite del motor antes del siguiente uso (consulte la sección "Cambio de aceite" en el capítulo "MANTE-NIMIENTO").

### ADVERTENCIA

La gasolina es una sustancia tóxica. Deseche la gasolina de la manera adecuada. Póngase en contacto con las autoridades locales para disponer de métodos de desecho aprobados.



A. Orificio de la bujía

# SOLUCIÓN DE AVERÍAS

Si el motor no funciona correctamente, compruebe con atención los síntomas y las condiciones de funcionamiento y consulte la siguiente tabla como guía para reparar las averías.

Síntoma		Causa probable	Solución
El motor no arranca o la potencia es baja	Compresión insuficiente	Las bujías de encendido están flojas	Apriételas correctamente
		Las bujías de encendido están flojas	◇
		Pistones, cilindros, aros de pistón o juntas de la culata defectuosos	
		Las válvulas fallan	
	No hay combustible en la cámara de combustión	No hay combustible en el depósito	Rellene el depósito
		La válvula de combustible no está en la posición "ON"	Abra la palanca de la válvula de combustible.
		Filtro o tubo de combustible bloqueado	Cambie el filtro o el tubo de combustible
		Orificio de ventilación de aire bloqueado en el tapón del depósito	Limpie la tapa del depósito de combustible
		Carburador defectuoso	◇
	Las bujías de encendido están llenas de aceite	El filtro de aire está obstruido	Limpiar
		Grado/tipo de combustible incorrecto	Cambie el combustible
		Agua en el combustible	
		Mezcla de aire/combustible excesivamente rica	Abra el estrangulador. ◇
		Carburador defectuoso	◇

Síntoma		Causa probable	Solución
	No enciende o el encendido es débil	Fallan las bujías de encendido	Sustitúyalas
		El interruptor del motor se dejó en la posición "OFF"	Gire el interruptor del motor a la posición "START" (consulte <b>M</b> )
		Bobina de encendido defectuosa	◇
Poca potencia	El motor se sobrecalienta	El filtro de aire está obstruido	Limpiar
		Rejilla de entrada de aire o conducto del aire de refrigeración obstruido con suciedad	
		No hay suficiente aceite	Rellénelo o cambie el aceite
		Ventilación insuficiente alrededor del motor	Seleccione una ubicación mejor
		Se ha acumulado carbonilla en la cámara de combustión	◇
	La velocidad del motor no aumenta	Regulador defectuoso	◇

◇: El mantenimiento se realizará a través de un distribuidor autorizado de motores Kawasaki o centro de servicio de similar cualificación.

**M:** En el caso del interruptor mediante panel de control, aleje la palanca del acelerador del equipo del extremo de baja velocidad antes de girar el interruptor del motor hasta la posición "START".

# **PROTECCIÓN MEDIOAMBIENTAL**

Para proteger el medio ambiente, deseche debidamente las baterías usadas, el aceite de motor, la gasolina, el refrigerante u otros componentes de los que deba deshacerse en el futuro.

Consulte a un distribuidor autorizado de motores Kawasaki o centro de servicio de similar cualificación o a la agencia de residuos medioambientales sobre el procedimiento que debe seguirse para realizar una correcta eliminación.



# ESPECIFICACIONES

	FS481V, FS541V, FS600V
Tipo	Motor a Gasolina Tipo OHV con eje vertical, 4 tiempos, refrigerado por aire
Calibre × carrera	73 × 72 mm (2,88 × 2,84 pulg.)
Cilindrada	603 mL (36,8 pulg. cúbicas)
Tipo de encendido	Encendido por volante magnético con sincronización fija
Dirección de rotación	Contraria a las agujas del reloj, mirando al eje de toma de fuerza
Sistema de arranque	Motor de arranque eléctrico/arrancador de retroceso
Peso en seco: kg (libras)	36,7 (80,9)

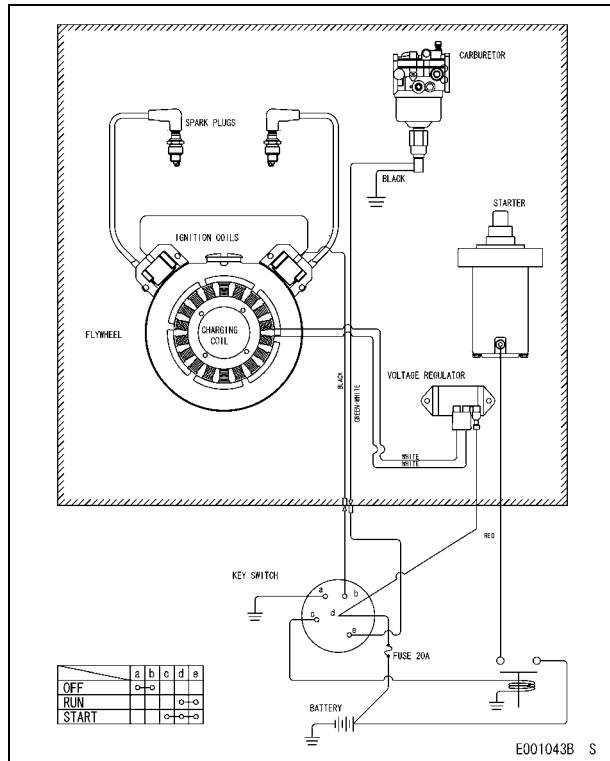
## NOTA

- *Las especificaciones pueden modificarse sin previo aviso.*
- *El peso sin combustible no incluye el del depósito de combustible ni el del silenciador.*

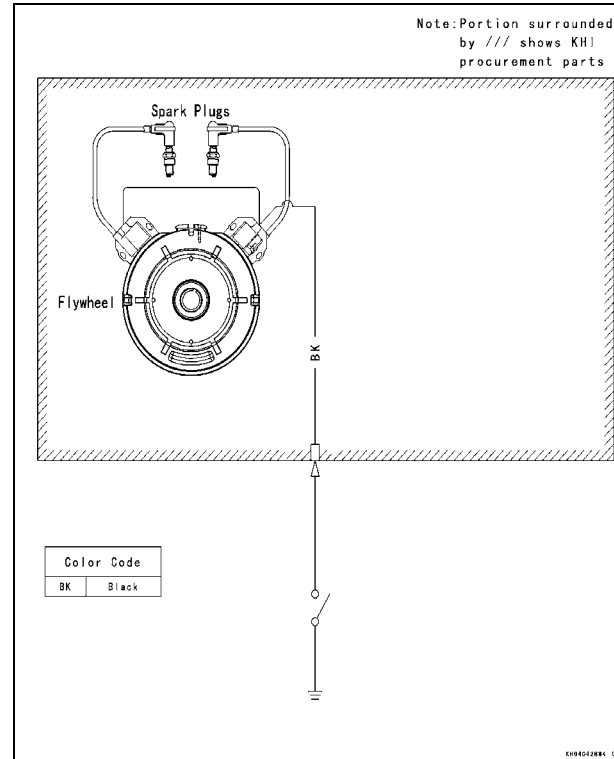
# DIAGRAMA DEL CABLEADO

## Diagrama del cableado

[Modelo con motor de arranque eléctrico]



[Modelo con arrancador de retroceso]



**NOTA**

○ Las partes enmarcadas con el sombreado indican las Piezas de aprovisionamiento de Kawasaki.

** ADVERTENCIA**

**Para evitar las chispas y/o daños del sistema eléctrico, extraiga el cable negativo (-) de la batería antes de intentar cualquier reparación o mantenimiento.**

**Capacidad recomendada para la batería**

Capacidad de la batería

Clase 12 V 550 CCA

**⚠ WARNING**

The engine exhaust from this product contains chemicals known to the State of California to cause cancer, birth defects or other reproductive harm.

**⚠ ADVERTENCIA**

El escape del motor de este producto contiene productos químicos que, según el Estado de California, provocan cáncer, defectos de nacimiento o afectan a la fecundidad.

For repair or maintenance assistance contact an authorized Kawasaki engine dealer or equally qualified service facility.

For warranty assistance please contact an authorized Kawasaki engine dealer.

Kawasaki engine dealer locator can be found on our website: [www.kawasakienginesusa.com](http://www.kawasakienginesusa.com)

For further assistance email:

[kawasakienginesupport@kmc-usa.com](mailto:kawasakienginesupport@kmc-usa.com)

or call 877-364-6404

Para obtener asistencia en la reparación y mantenimiento, póngase en contacto con un distribuidor autorizado de motores Kawasaki o con un centro de servicio de similar cualificación.

Para obtener asistencia respecto a la garantía, póngase en contacto con un distribuidor autorizado de motores Kawasaki. El localizador de distribuidores de motores Kawasaki se encuentra disponible en nuestro sitio web: [www.kawasakienginesusa.com](http://www.kawasakienginesusa.com)

Si necesita más asistencia, envíe un correo electrónico a [kawasakienginesupport@kmc-usa.com](mailto:kawasakienginesupport@kmc-usa.com) o llame al 877-364-6404

