

**HONDA**

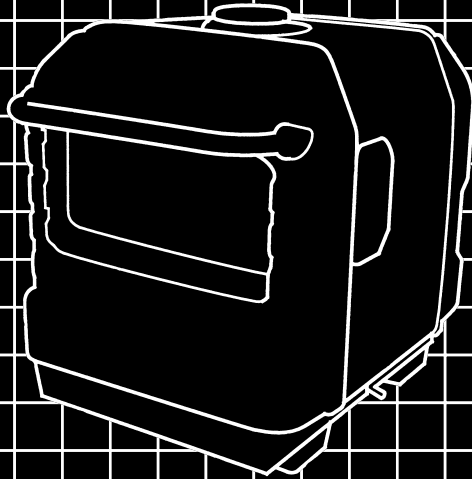
**Power**

**Equipment**

# Owner's Manual

## **GENERATOR**

### **EU3000is**





## **WARNING:**



The engine exhaust from this product contains chemicals known to the State of California to cause cancer, birth defects or other reproductive harm.

### **▲WARNING**

**Exhaust contains poisonous carbon monoxide gas that can build up to dangerous levels in closed areas.  
Breathing carbon monoxide can cause unconsciousness or death.**

**Never run the generator in a closed, or even partly closed area where people may be present.**

### **▲WARNING**

**The generator is a potential source of electrical shock if misused. Do not expose the generator to moisture, rain or snow. Do not let the generator get wet, and do not operate it with wet hands.**

Keep this owner's manual handy, so you can refer to it at any time. This owner's manual is considered a permanent part of the generator and should remain with the generator if resold.

The information and specifications included in this publication were in effect at the time of approval for printing. Honda Motor Co., Ltd. reserves the right, however, to discontinue or change specifications or design at any time without notice and without incurring any obligation whatever. No part of this publication may be reproduced without written permission.

---

Congratulations on your selection of a Honda generator. We are certain you will be pleased with your purchase of one of the finest generators on the market.

We want to help you get the best results from your new generator and to operate it safely. This manual contains the information on how to do that; please read it carefully.

As you read this manual, you will find information preceded by a **NOTICE** symbol. That information is intended to help you avoid damage to your generator, other property, or the environment.

We suggest you read the *Distributor's Limited Warranty* to fully understand its coverage and your responsibilities of ownership. The *Distributor's Limited Warranty* is a separate document that should have been given to you by your dealer.

When your generator needs scheduled maintenance, keep in mind that your Honda servicing dealer is specially trained in servicing Honda generators. Your authorized Honda servicing dealer is dedicated to your satisfaction and will be pleased to answer your questions and concerns.

The illustrations herein are mainly based on: NON-CALIFORNIA TYPE

- The illustration may vary according to the type.

Best Wishes,  
Honda Motor Co., Ltd.

---


## A FEW WORDS ABOUT SAFETY

Your safety and the safety of others are very important. And using this generator safely is an important responsibility.

To help you make informed decisions about safety, we have provided operating procedures and other information on labels and in this manual. This information alerts you to potential hazards that could hurt you or others.

Of course, it is not practical or possible to warn you about all the hazards associated with operating or maintaining a generator. You must use your own good judgement.

You will find important safety information in a variety of forms, including:

- **Safety Labels** – on the generator.
- **Safety Messages** – preceded by a safety alert symbol  and one of three signal words, DANGER, WARNING, or CAUTION.

These signal words mean:

 **DANGER**

You **WILL** be **KILLED** or **SERIOUSLY HURT** if you don't follow instructions.

 **WARNING**

You **CAN** be **KILLED** or **SERIOUSLY HURT** if you don't follow instructions.

 **CAUTION**

You **CAN** be **HURT** if you don't follow instructions.

- **Safety Headings** – such as *IMPORTANT SAFETY INFORMATION*.
- **Safety Section** – such as *GENERATOR SAFETY*.
- **Instructions** – how to use this generator correctly and safely.

This entire book is filled with important safety information – please read it carefully.

GENERATOR SAFETY .....	5
Safety Label Locations .....	5
Important Safety Information .....	7
COMPONENT IDENTIFICATION .....	9
CONTROLS .....	11
Engine Switch .....	11
Starter Grip .....	12
Fuel Valve Lever .....	12
Choke Knob .....	13
Eco-Throttle™ Switch .....	13
Output Indicator Light .....	14
Overload Indicator Light .....	14
Oil Alert® System .....	15
Parallel Operation Outlets .....	15
AC Circuit Protector .....	16
DC Receptacle .....	16
DC Circuit Protector .....	16
Ground Terminal .....	17
GENERATOR USE .....	18
Connections to a Building Electrical System .....	18
Ground System .....	18
Special Requirements .....	19
AC Applications .....	20
AC Operation .....	21
AC Parallel Operation Applications .....	23
AC Parallel Operation .....	25
DC Operation .....	26
Connecting the battery charging cable (optional equipment) .....	26
Disconnecting the battery charging cable .....	28
Eco-Throttle™ System .....	29
High Altitude Operation .....	30
PRE-OPERATION CHECK .....	31
Engine Oil .....	31
Refueling .....	32
Fuel Recommendations .....	33
STARTING THE ENGINE .....	34
STOPPING THE ENGINE .....	36

---

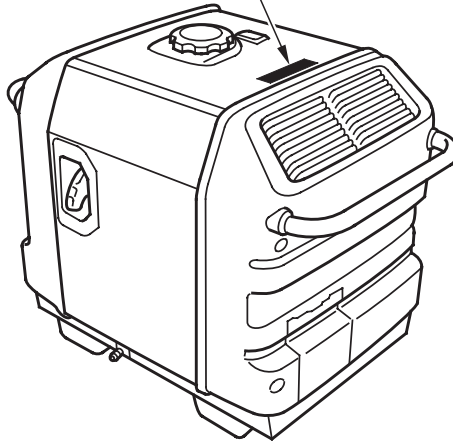
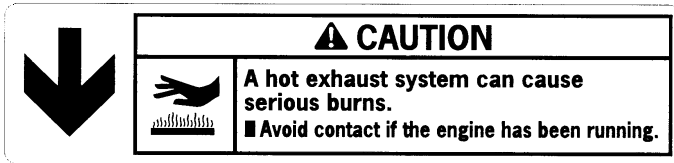
MAINTENANCE .....	37
The Importance of Maintenance .....	37
Maintenance Safety .....	38
Emission Control System Information .....	39
Air Index .....	41
Maintenance Schedule .....	42
Engine Oil Change .....	43
Air Cleaner Service .....	44
Spark Plug Service .....	46
Fuel Sediment Cup Cleaning .....	48
Spark Arrester Maintenance .....	50
Battery .....	53
Fuse Replacement .....	56
TRANSPORTING/STORAGE .....	57
Transporting .....	57
Storage .....	58
TROUBLESHOOTING .....	60
WIRING DIAGRAM .....	62
SPECIFICATIONS .....	63
WARRANTY SERVICE INFORMATION .....	64
Dealer Locator Information .....	64
Customer Service Information .....	64
Honda Publications .....	65
INDEX .....	66




# GENERATOR SAFETY

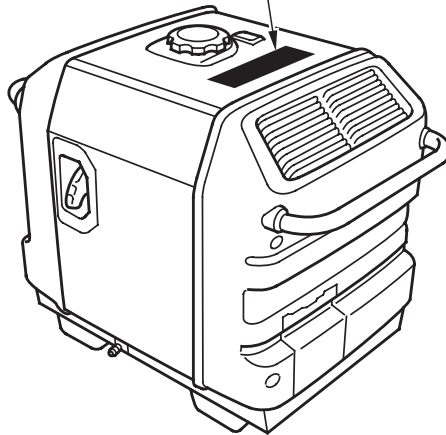
## SAFETY LABEL LOCATIONS

These labels warn you of potential hazards that can cause serious injury. Read them carefully.

If a label comes off or becomes hard to read, contact your Honda generator dealer for a replacement.



<p align="center"><b>⚠ DANGER</b></p>	<p align="center"><b>⚠ WARNING</b></p>	<p align="center"><b>⚠ WARNING</b></p>
<p>Using a generator indoors CAN KILL YOU IN MINUTES. Generator exhaust contains carbon monoxide. This is a poison you cannot see or smell.</p>	<p>Gasoline is highly flammable and explosive. You could be burned or seriously injured if the gasoline is ignited.</p> <ul style="list-style-type: none"> <li>■ Before refueling, stop the engine and keep heat, sparks, and flame away.</li> <li>■ Handle fuel only outdoors.</li> <li>■ Do not fill the fuel tank above the upper limit line.</li> <li>■ Wipe up spills immediately.</li> </ul>	<p>Improper connections to a building can allow electrical current to backfeed into utility lines, creating an electrocution hazard.</p> <ul style="list-style-type: none"> <li>■ Connections to a building must isolate generator power from utility power and comply with all applicable laws and electrical codes.</li> </ul>
<div style="display: flex; justify-content: space-between;"> <div style="text-align: center;">   <b>NEVER</b> use inside a home or garage, EVEN IF doors and windows are open.         </div> <div style="text-align: center;">             Only use <b>OUTSIDE</b> and far away from windows, doors, and vents.         </div> </div>	<p>Exhaust contains poisonous carbon monoxide gas that can build up to dangerous levels in closed areas.</p> <ul style="list-style-type: none"> <li>■ Breathing carbon monoxide can cause unconsciousness or death.</li> <li>■ Never run the generator in a closed, or even partly closed area where people may be present.</li> </ul>	<ul style="list-style-type: none"> <li>⚡ The generator is a potential source of electrical shock if not kept dry.</li> <li>■ Do not expose the generator to moisture, rain or snow.</li> <li>■ Do not operate the generator with wet hands.</li> </ul> <p> Read owner's manual carefully before operation.</p>





---

## **IMPORTANT SAFETY INFORMATION**

Honda generators are designed to give safe and dependable service if operated according to instructions. Read and understand this owner's manual before operating your generator. You can help prevent accidents by being familiar with your generator's controls, and by observing safe operating procedures.

### **Operator Responsibility**

- Know how to stop the generator quickly in case of emergency.
- Understand the use of all generator controls, output receptacles, and connections.
- Be sure that anyone who operates the generator receives proper instruction. Do not let children operate the generator without parental supervision.

### **Carbon Monoxide Hazards**

- Exhaust contains poisonous carbon monoxide, a colorless and odorless gas. Breathing carbon monoxide can cause loss of consciousness and may lead to death.
- If you run the generator in an area that is confined, or even partly enclosed, the air you breathe could contain a dangerous amount of exhaust gas.
- Never run your generator inside a garage, house or near open windows or doors.

---

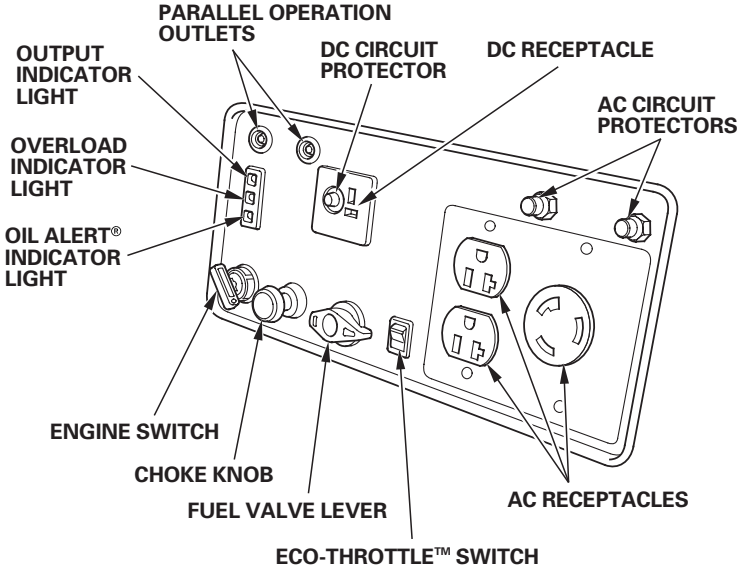
## **Electric Shock Hazards**

- The generator produces enough electric power to cause a serious shock or electrocution if misused.
- Using a generator or electrical appliance in wet conditions, such as rain or snow, or near a pool or sprinkler system, or when your hands are wet, could result in electrocution. Keep the generator dry.
- If the generator is stored outdoors, unprotected from the weather, check all of the electrical components on the control panel before each use. Moisture or ice can cause a malfunction or short circuit in electrical components which could result in electrocution.
- Do not connect to a building electrical system unless an isolation switch has been installed by a qualified electrician.
- Use only a Honda approved parallel operation kit (optional equipment) when connecting two EU3000is generators for parallel operation.
- Never connect different generator models and types.

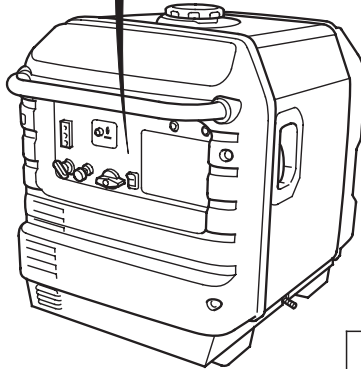
## **Fire and Burn Hazards**

- The exhaust system gets hot enough to ignite some materials.
  - Keep the generator at least 3 feet (1 meter) away from buildings and other equipment during operation.
  - Do not enclose the generator in any structure.
  - Keep flammable materials away from the generator.
- The muffler becomes very hot during operation and remains hot for a while after stopping the engine. Be careful not to touch the muffler while it is hot. Let the engine cool before storing the generator indoors.
- Gasoline is extremely flammable and is explosive under certain conditions. Do not smoke or allow flames or sparks where the generator is refueled or where gasoline is stored. Refuel in a well-ventilated area with the engine stopped.
- Fuel vapors are extremely flammable and may ignite after the engine has started. Make sure that any spilled fuel has been wiped up before starting the generator.

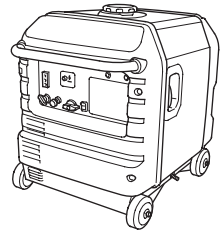
# COMPONENT IDENTIFICATION



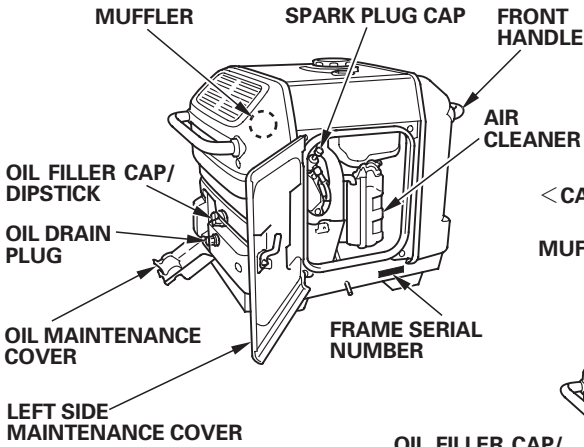
< STAND TYPE >



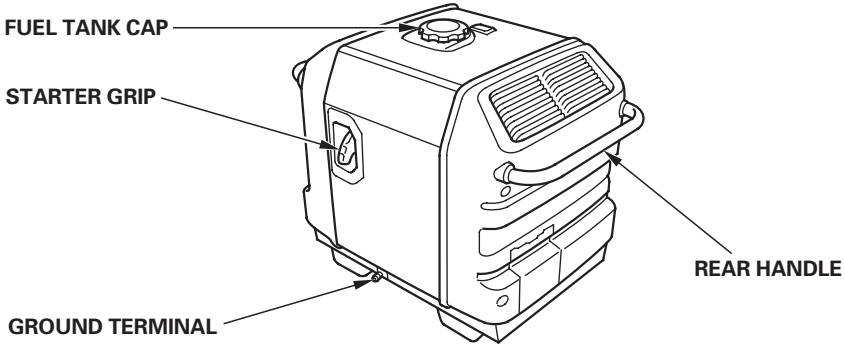
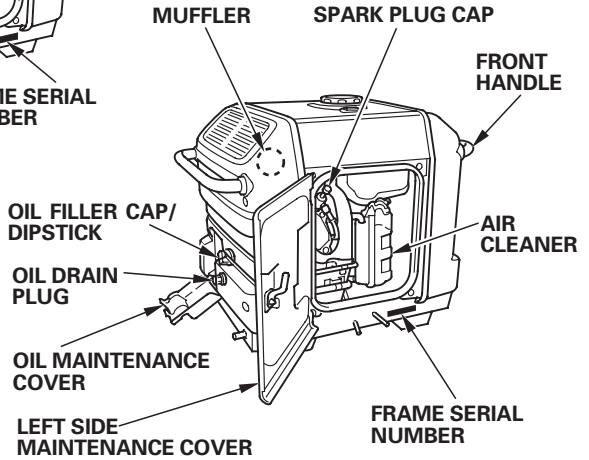
< WHEEL TYPE >



< NON-CALIFORNIA TYPE >



< CALIFORNIA TYPE >



Record the frame serial number for your future reference. Refer to this serial number when ordering parts, and when making technical or warranty inquiries (see page 64 ).

Frame serial number: \_\_\_\_\_

Date purchased: \_\_\_\_\_

## ENGINE SWITCH

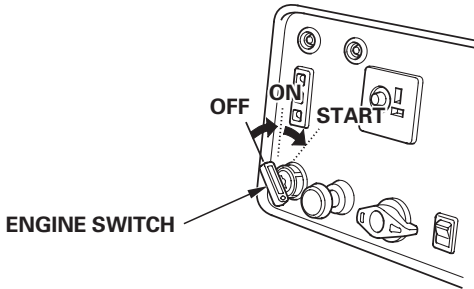
To start and stop the engine.

### Key position:

**OFF:** To stop the engine. Key can be removed/inserted.

**ON:** To run the engine after starting.

**START:** To start the engine by operating the starter motor.



Return the key to the ON position once the engine has started. Do not use the starter for more than 5 seconds at a time. If the engine fails to start, release the switch and wait 10 seconds before operating the starter again.

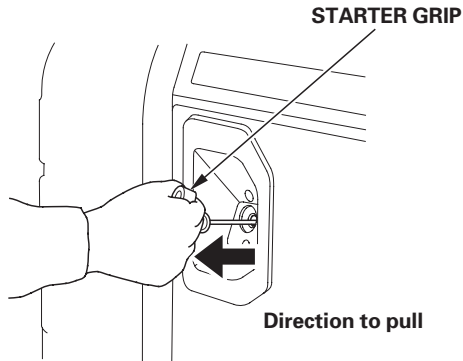
---

## STARTER GRIP

To start the engine, pull the starter grip lightly until you feel resistance, then pull briskly in the direction of the arrow as shown below.

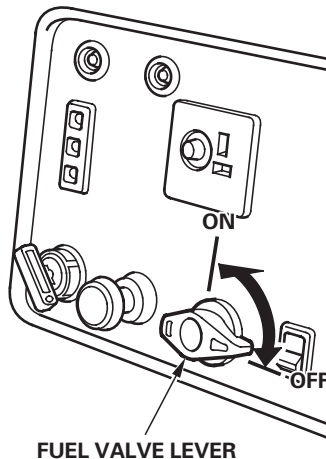
### NOTICE

*Do not allow the starter grip to snap back against the engine. Return it gently to prevent damage to the starter.*



## FUEL VALVE LEVER

The fuel valve is located on the control panel. When the fuel valve lever is in the ON position, fuel is allowed to flow from the fuel tank to the carburetor. Be sure to return the fuel valve lever to the OFF position after stopping the engine.



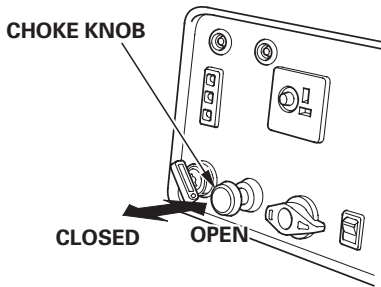
---

## CHOKE KNOB

The choke knob opens and closes the choke valve in the carburetor.

Pulling the choke knob to the CLOSED position enriches the fuel mixture for starting a cold engine.

Pushing the choke knob to the OPEN position provides the correct fuel mixture for operation after starting, and for restarting a warm engine.



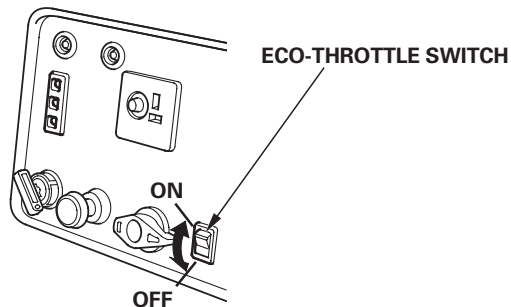
## ECO-THROTTLE™ SWITCH

The Eco-Throttle™ system automatically reduces engine speed when all loads are turned off or disconnected. When appliances are turned on or reconnected, the engine returns to the proper speed to power the electrical load.

If high electrical loads are connected simultaneously, turn the Eco-Throttle switch to the OFF position to reduce voltage changes.

**ON:** Recommended to minimize fuel consumption and further reduce noise levels when no load is applied to the generator.

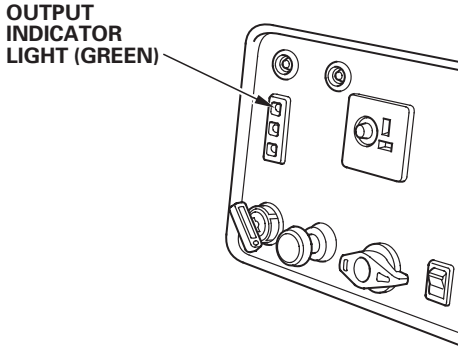
**OFF:** The Eco-Throttle system does not operate.



---

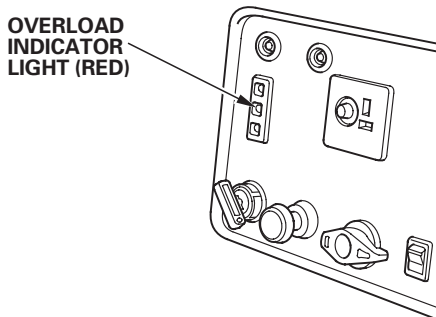
## OUTPUT INDICATOR LIGHT

The output indicator light (green) is illuminated when the generator is operating normally. It indicates that the generator is producing electrical power at the receptacles.



## OVERLOAD INDICATOR LIGHT

If the generator is overloaded (see page 63), or if there is a short circuit in a connected appliance, or if the inverter is overheated, the overload indicator light (red) will go ON. The overload indicator light (red) will stay ON, and after about four seconds, current to the connected appliance(s) will shut off, and the output indicator light (green) will go OFF.



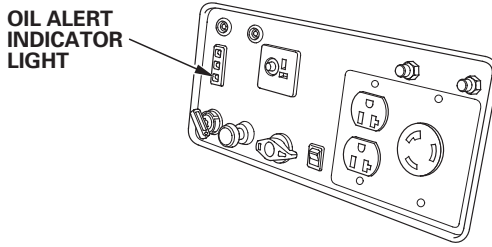


---

## OIL ALERT® SYSTEM

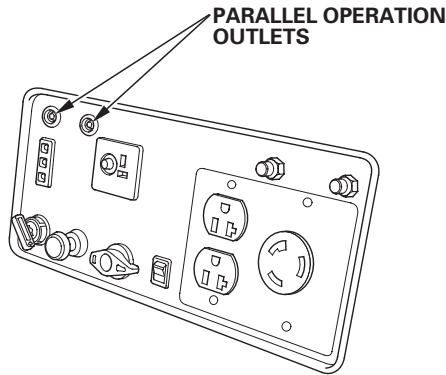
The Oil Alert® system is designed to prevent engine damage caused by an insufficient amount of oil in the crankcase. Before the oil level in the crankcase can fall below a safe limit, the Oil Alert indicator light comes on and the Oil Alert system will automatically stop the engine (the engine switch will remain in the ON position).

If the engine stops or the Oil Alert indicator light comes on when you turn the engine switch to START or pull the starter grip, check the engine oil level (see page 31) before troubleshooting in other areas.



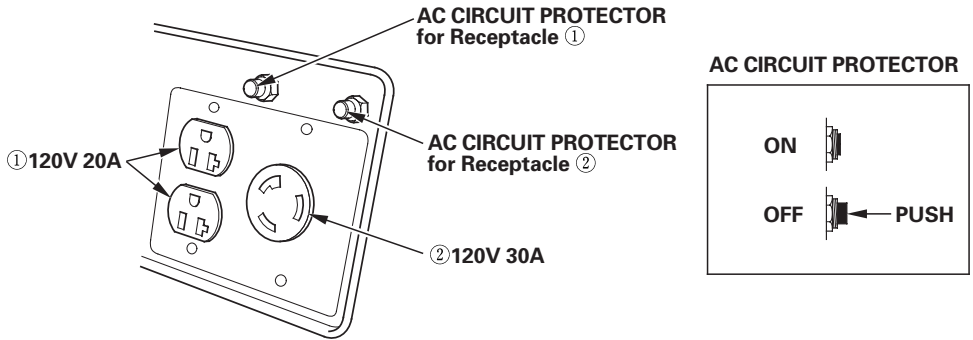
## PARALLEL OPERATION OUTLETS

These outlets are used for connecting two EU3000is generators for parallel operation (see page 25). A Honda approved parallel operation kit (optional equipment) is required for parallel operation. This kit can be purchased from an authorized Honda generator dealer.



## AC CIRCUIT PROTECTOR

The AC circuit protectors will automatically switch OFF if there is a short circuit or a significant overload of the generator at the 120V 20A locking plug, or 120V 30A locking plug receptacle. If an AC circuit protector switches OFF automatically, check that the appliance is working properly and does not exceed the rated load capacity of the circuit before resetting the AC circuit protector ON.

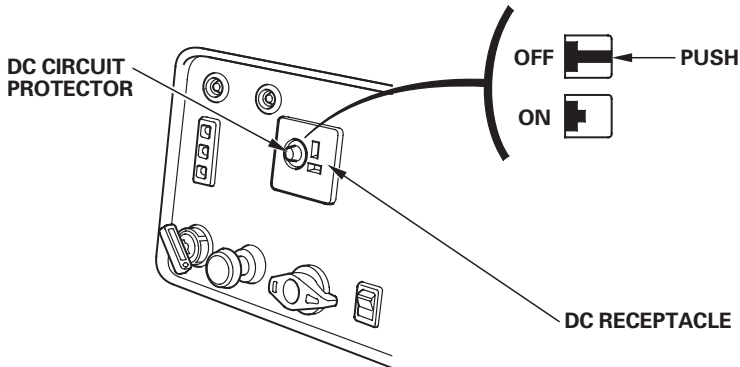


## DC RECEPTACLE

The DC receptacle should ONLY be used for charging 12-volt automotive type batteries. The DC charging output is not regulated.

## DC CIRCUIT PROTECTOR

The DC circuit protector automatically shuts off the DC battery charging circuit when the DC charging circuit is overloaded, when there is a problem with the battery, or when the connections between the battery and the generator are improper.

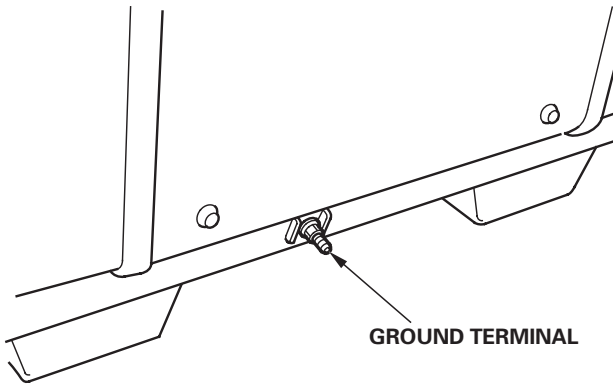


---

## GROUND TERMINAL

The generator ground terminal is connected to the frame of the generator, the metal non-current-carrying parts of the generator, and the ground terminals of each receptacle.

Before using the ground terminal, consult a qualified electrician, electrical inspector or local agency having jurisdiction for local codes or ordinances that apply to the intended use of the generator.



# GENERATOR USE

---

## CONNECTIONS TO A BUILDING ELECTRICAL SYSTEM

Connections for standby power to a building electrical system must be made by a qualified electrician. The connection must isolate the generator power from utility power, and must comply with all applicable laws and electrical codes. A transfer switch, which isolates generator power from utility power, is available through authorized Honda generator dealers.

### **▲WARNING**

**Improper connections to a building electrical system can allow electrical current from the generator to backfeed into the utility lines. Such backfeed may electrocute utility company workers or others who contact the lines during a power outage, and the generator may explode, burn, or cause fires when utility power is restored. Consult the utility company or a qualified electrician.**

## GROUND SYSTEM

Honda portable generators have a system ground that connects generator frame components to the ground terminals in the AC output receptacles. The system ground is not connected to the AC neutral wire. If the generator is tested by a receptacle tester, it will not show the same ground circuit condition as for a home receptacle.

---

## SPECIAL REQUIREMENTS

### NOTICE

*Keep all cooling holes open and clear of debris, mud, water, etc. Cooling holes are located on the side panel, the control panel, and the bottom of the generator. If the cooling holes are blocked, the generator may overheat and damage the engine, inverter, or windings.*

### NOTICE

*Do not lay the generator on its side when moving, storing, or operating it. Oil may leak and damage the engine or your property.*

There may be Federal or State Occupational Safety and Health Administration (OSHA) regulations, local codes, or ordinances that apply to the intended use of the generator. Please consult a qualified electrician, electrical inspector, or the local agency having jurisdiction.

- In some areas, generators are required to be registered with local utility companies.
- If the generator is used at a construction site, there may be additional regulations that must be observed.

---

## AC APPLICATIONS

Before connecting an appliance or power cord to the generator:

- Make sure that it is in good working order. Faulty appliances or power cords can create a potential for electrical shock.
- If an appliance begins to operate abnormally, becomes sluggish or stops suddenly, turn it off immediately. Disconnect the appliance, and determine whether the problem is the appliance, or if the rated load capacity of the generator has been exceeded.
- Make sure that the electrical rating of the tool or appliance does not exceed that of the generator. Never exceed the maximum power rating of the generator. Power levels between rated and maximum may be used for no more than 30 minutes.

### NOTICE

*Substantial overloading that continuously lights the overload indicator light (red) may damage the generator. Marginal overloading that temporarily lights the overload indicator light (red) may shorten the service life of the generator.*

Limit operation requiring maximum power to 30 minutes.  
Maximum power is:

3.0 kVA

For continuous operation, do not exceed the rated power.  
Rated power is:

2.8 kVA

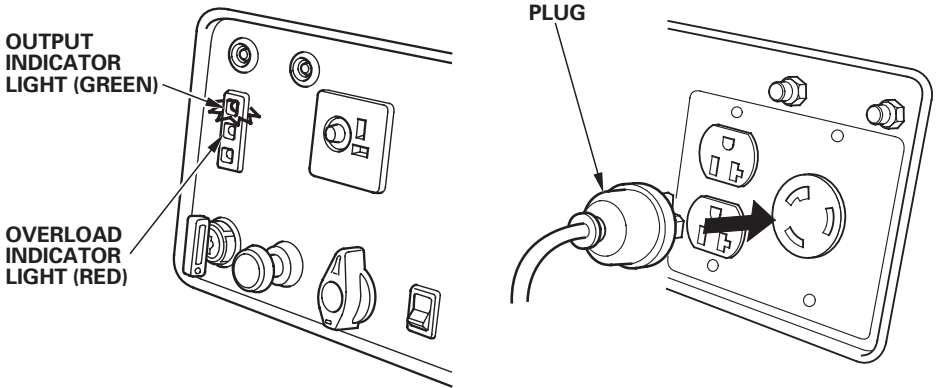
The total power requirements (VA) of all appliances connected must be considered. Appliance and power tool manufacturers usually list rating information near the model number or serial number.

---

## AC OPERATION

1. Start the engine and make sure the output indicator light (green) comes on (see page 34 and 35).
2. Plug in the appliance.

Most motorized appliances require more than their rated wattage for startup.



If the generator is overloaded (see page 19), or if there is a short circuit in a connected appliance, or if the inverter is overheated, the overload indicator light (red) will come ON. The overload indicator light (red) will stay ON, and after about five seconds, current to the connected appliance(s) will shut off, and the output indicator light (green) will go OFF. Stop the engine and investigate the problem.

Determine if the cause is a short circuit in a connected appliance, an overload, or an overheated inverter. Correct the problem and restart the generator.

Before connecting an appliance to the generator, make sure that it is in good order and that its electrical rating does not exceed that of the generator. Then start the generator and connect the appliance power cord.

---

**NOTICE**

*When an electric motor is started, the overload indicator light (red) may come on. This is normal if the overload indicator light (red) goes off after about four (4) seconds. If the overload indicator light (red) stays on, consult your Honda generator dealer.*



---

## AC PARALLEL OPERATION APPLICATIONS

Before connecting an appliance or power cord to the generator:

- Make sure that it is in good working order. Faulty appliances or power cords can create a potential for electrical shock.
- If an appliance begins to operate abnormally, becomes sluggish or stops suddenly, turn it off immediately. Disconnect the appliance, and determine whether the problem is the appliance, or if the rated load capacity of the generator has been exceeded.
- Make sure that the electrical rating of the tool or appliance does not exceed that of the generator. Never exceed the maximum power rating of the generator. Power levels between rated and maximum may be used for no more than 30 minutes.
- Never connect different generator models and types.
- Use only a Honda approved parallel operation kit (optional equipment) when connecting two EU3000is generators for parallel operation.
- Never connect or remove the parallel operation kit when the generator is running.
- For single generator operation, the parallel operation kit must be removed.

### NOTICE

*Substantial overloading that continuously lights the overload indicator light (red) may damage the generator. Marginal overloading that temporarily lights the overload indicator light (red) may shorten the service life of the generator.*

---

For continuous operation, do not exceed the rated power.  
Rated power in parallel operation is:

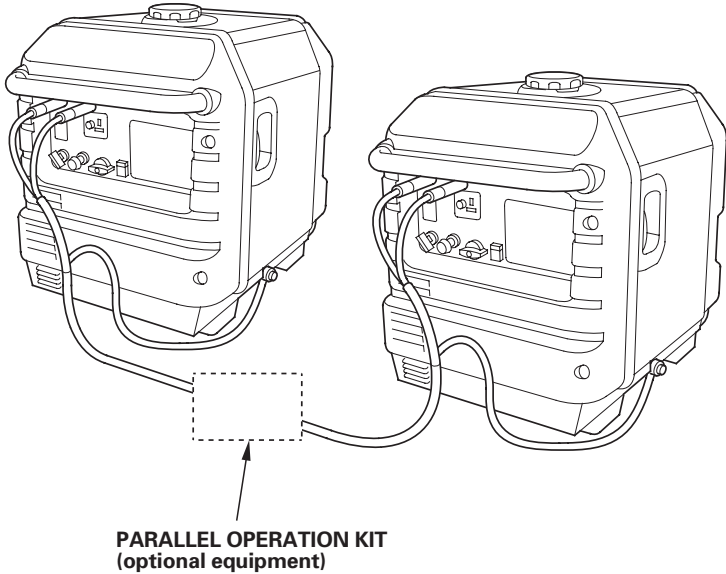
5.6 kVA

The total power requirements (VA) of all appliances connected must be considered. Appliance and power tool manufacturers usually list rating information near the model number or serial number.

---

## AC PARALLEL OPERATION

1. Connect the parallel operation kit between the two EU3000iS generators following the instructions supplied with the kit.



2. Start the generators and make sure the output indicator lights (green) come on (see pages 34 and 35).
3. Plug in the appliance following the instructions provided with the parallel operation kit.  
Most motorized appliances require more than their rated wattage for startup.

If the generators are overloaded (see page 24), or if there is a short circuit in a connected appliance, the overload indicator lights (red) will go ON. The overload indicator lights (red) will stay ON, and after about four seconds, current to the connected appliance(s) will shut off, and the output indicator lights (green) will go OFF. Stop the engines and investigate the problem.

---

## DC OPERATION

The DC receptacle should ONLY be used for charging 12-volt automotive type batteries. The DC charging output is not regulated.

DC output will vary according to the position of the Eco-Throttle switch. When the Eco-Throttle switch is turned to the ON position and the AC output is not used, the DC current will be about one-third of the rated current.

### DC Current

Eco-Throttle switch	OFF	ON (Do not use the AC output)
Model		
EU3000is	12 A	approximately 4 A

### Connecting the battery charging cable (optional equipment):

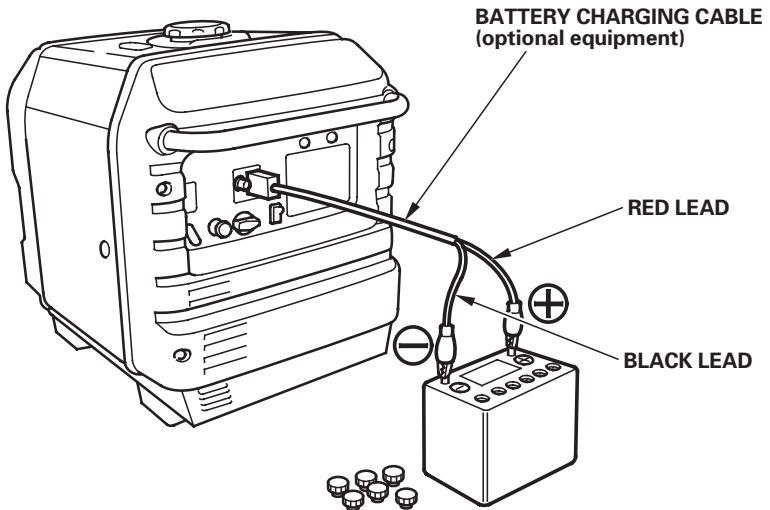
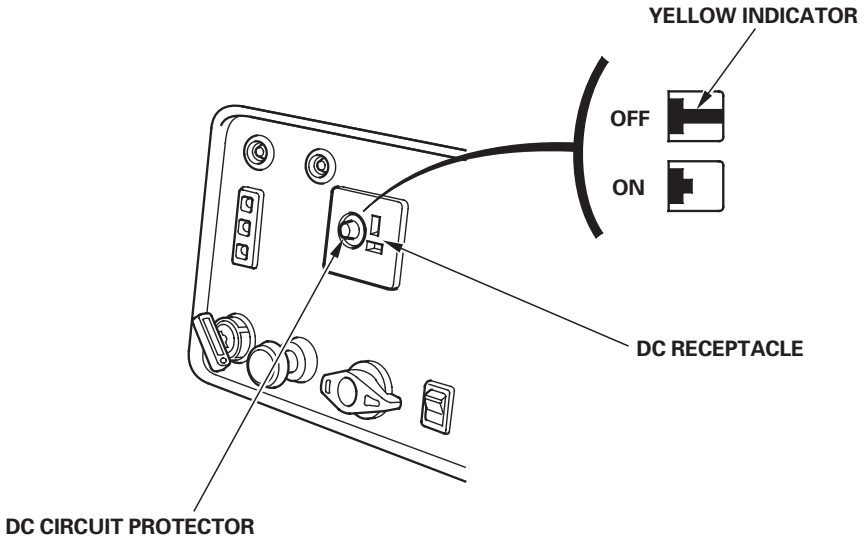
1. Before connecting the battery charging cable (optional equipment) to a battery that is installed in a vehicle, disconnect the vehicle battery ground cable from the negative (–) battery terminal.

#### **▲WARNING**

**The battery gives off explosive gases; keep sparks, flames and cigarettes away. Provide adequate ventilation when charging or using batteries.**

**WARNING:** Battery posts, terminals and related accessories contain lead and lead components. **Wash hands after handling.**

- 
2. Plug the battery charging cable into the DC receptacle of the generator.
  3. Connect the red lead of the battery charging cable to the positive (+) battery terminal and the black lead to the negative (-) battery terminal.



---

4. Start the generator.

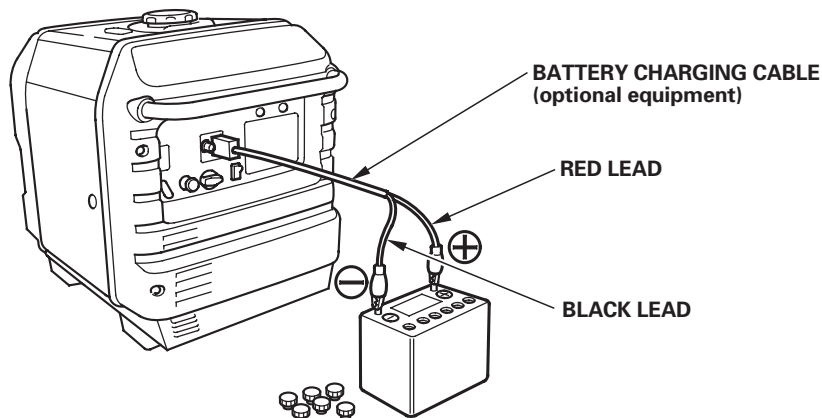
**NOTICE**

*Do not start the vehicle while the battery charging cable is connected and the generator is running. The vehicle or the generator may be damaged.*

An overloaded DC circuit, excessive current drawn by the battery, or a wiring problem will trip the DC circuit protector (the yellow indicator inside the clear circuit protector button will pop out). If this happens, wait a few minutes before pushing in the circuit protector button to resume operation. If the circuit protector continues to go OFF, discontinue charging and see your authorized Honda generator dealer.

**Disconnecting the battery charging cable:**

1. Stop the engine.
2. Disconnect the black lead of the battery charging cable from the negative (–) battery terminal.
3. Disconnect the red lead of the battery charging cable from the positive (+) battery terminal.
4. Disconnect the battery charging cable from the DC receptacle of the generator.
5. Connect the vehicle battery ground cable to the negative (–) battery terminal.



---

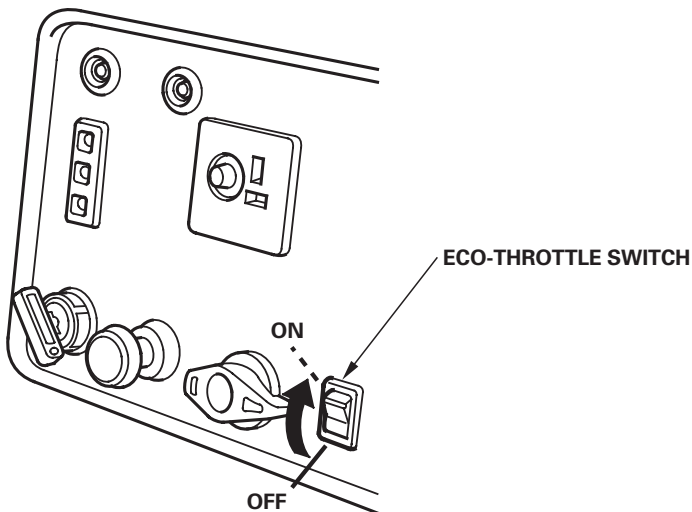
## ECO-THROTTLE™ SYSTEM

With the switch in the ON position, engine speed is automatically lowered when loads are reduced, turned OFF or disconnected. When appliances are turned ON or reconnected, the engine returns to the proper speed to power the electrical load. In the OFF position, the Eco-Throttle system does not operate.

Appliances with large start-up power demands may not allow the engine to reach normal operating rpm when they are connected to the generator. Turn the Eco-Throttle to the OFF position and connect the appliance to the generator. If the engine still will not reach normal operating speed, check that the appliance does not exceed the rated load capacity of the generator.

If high electrical loads are connected simultaneously, turn the Eco-Throttle switch to the OFF position to reduce voltage changes.

The Eco-Throttle system is not effective for use with appliances that require only momentary power. If the tool or appliance will be turned ON and OFF quickly, the Eco-Throttle switch should be in the OFF position.



---

## HIGH ALTITUDE OPERATION

At high altitude, the standard carburetor air/fuel mixture will be too rich. Performance will decrease, and fuel consumption will increase. A very rich mixture will also foul the spark plug and cause hard starting. Operation at an altitude that differs from that at which this engine was certified, for extended periods of time, may increase emissions.

High altitude performance can be improved by specific modifications to the carburetor. If you always operate your generator at altitudes above 5,000 feet (1,500 meters), have your servicing dealer perform this carburetor modification. This engine, when operated at high altitude with the carburetor modifications for high altitude use, will meet each emission standard throughout its useful life.

Even with carburetor modification, engine horsepower will decrease about 3.5% for each 1,000-foot (300-meter) increase in altitude. The effect of altitude on horsepower will be greater than this if no carburetor modification is made.

### NOTICE

*When the carburetor has been modified for high altitude operation, the air/fuel mixture will be too lean for low altitude use. Operation at altitudes below 5,000 feet (1,500 meters) with a modified carburetor may cause the engine to overheat and result in serious engine damage. For use at low altitudes, have your servicing dealer return the carburetor to original factory specifications.*

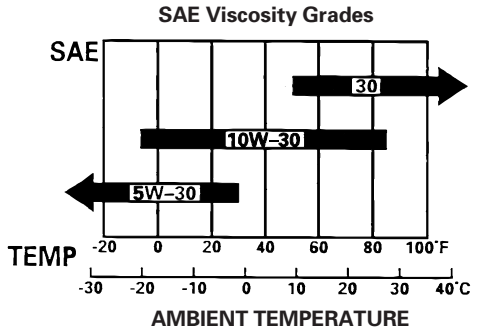


# PRE-OPERATION CHECK

## ENGINE OIL

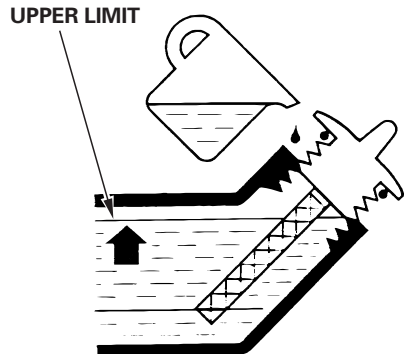
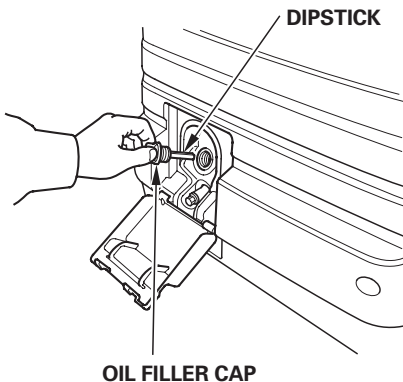
Check the oil level **BEFORE EACH USE** with the generator on a level surface and the engine stopped.

Use 4-stroke motor oil that meets or exceeds the requirements for API service classification SJ or later (or equivalent). Always check the API SERVICE label on the oil container to be sure it includes the letter SJ or later (or equivalent).



SAE 10W-30 is recommended for general, all-temperature use. Other viscosities shown in the chart may be used when the average temperature in your area is within the indicated range.

1. Open the oil maintenance cover.
2. Remove the oil filler cap and wipe the dipstick clean.
3. Check the oil level by inserting the dipstick into the filler neck without screwing it in.
4. If the level is low, fill to the upper limit of the oil filler neck with the recommended oil.
5. Close and latch the oil maintenance cover.



---

## REFUELING

With the engine stopped, check the fuel level gauge. Refill the fuel tank if the fuel level is low. Refuel carefully to avoid spilling fuel. Do not fill above the maximum fuel level.

### **▲WARNING**

**Gasoline is highly flammable and explosive.**

**You can be burned or seriously injured when handling fuel.**

- **Stop the engine and keep heat, sparks, and flame away.**
- **Handle fuel only outdoors.**
- **Wipe up spills immediately.**

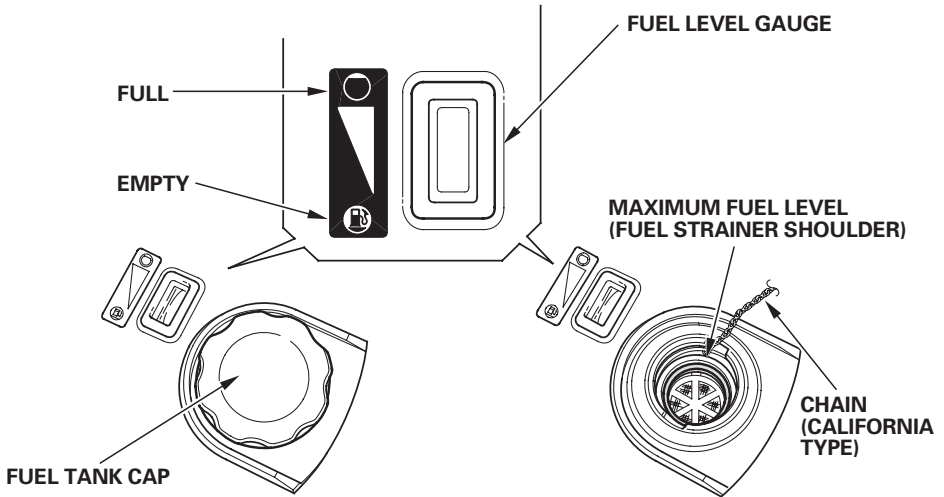
Refuel in a well-ventillated area with the engine stopped. If the engine has been running, allow it to cool first. Refuel carefully to avoid spilling fuel. Do not fill above the fuel strainer shoulder. After refueling, tighten the fuel tank cap securely.

Never refuel the engine inside a building where gasoline fumes may reach flames or sparks. Keep gasoline away from appliance pilot lights, barbecues, electric appliances, power tools, etc.

Spilled fuel is not only a fire hazard, it causes environmental damage. Wipe up spills immediately.

### **NOTICE**

*Fuel can damage paint and plastic. Be careful not to spill fuel when filling your fuel tank. Damage caused by spilled fuel is not covered under warranty.*



After refueling, reinstall the fuel tank cap securely.

## FUEL RECOMMENDATIONS

This engine is certified to operate on regular unleaded gasoline with a pump octane rating of 86 or higher.

Never use stale or contaminated gasoline or an oil/gasoline mixture. Avoid getting dirt or water in the fuel tank.

You may use regular unleaded gasoline containing no more than 10% Ethanol (E10) or 5% Methanol by volume. In addition, Methanol must contain cosolvents and corrosion inhibitors.

Use of fuels with content of Ethanol or Methanol greater than shown above may cause starting and/or performance problems. It may also damage metal, rubber, and plastic parts of the fuel system.

Engine damage or performance problems that result from using a fuel with percentages of Ethanol or Methanol greater than shown above are not covered under warranty.

# STARTING THE ENGINE

---

## STARTING THE ENGINE

### Electric starting:

For your safety, do not operate the generator in an enclosed area such as a garage. Your generator's exhaust contains poisonous carbon monoxide gas that can collect rapidly in an enclosed area and cause illness or death.

#### **▲WARNING**

**Exhaust contains poisonous carbon monoxide gas that can build up to dangerous levels in closed areas.**

**Breathing carbon monoxide can cause unconsciousness or death.**

**Never run the generator in a closed, or even partly closed area where people may be present.**

Refer to the *AC OPERATION* (see page 21) or *DC OPERATION* (see page 26) for connecting loads to the generator.

1. Perform the *PRE-OPERATION CHECK* (see page 31).
2. Make sure that all appliances connected to the generator are turned off.
3. Turn the fuel valve lever to the ON position.
4. To start a cold engine, pull the choke knob out to the CLOSED position.  
To restart a warm engine, leave the choke knob in the OPEN position.
5. Turn the engine switch to the START position and hold it there for 5 seconds or until the engine starts.

#### **NOTICE**

- *Operating the starter motor for more than 5 seconds can damage the motor. If the engine fails to start, release the switch and wait 10 seconds before operating the starter again.*
- *If the speed of the starter motor drops after a period of time, it is an indication that the battery should be recharged.*

---

When the engine starts, allow the engine switch to return to the ON position.

6. If the choke knob was moved to the CLOSED position to start the engine, gradually push it to the OPEN position as the engine warms up.
7. If you wish to use the Eco-Throttle system, turn the Eco-Throttle switch to the ON position after the engine has warmed up for 2 or 3 minutes.

**Manual starting:**

1. Make sure that all appliances are disconnected from the AC receptacles.
2. Turn the fuel valve lever to the ON position.
3. To start a cold engine, pull the choke knob out to the CLOSED position.  
To restart a warm engine, leave the choke knob in the OPEN position.
4. Turn the engine switch to the ON position.
5. Pull the starter grip lightly until you feel resistance, then pull briskly.

**NOTICE**

*Do not allow the starter grip to snap back against the engine. Return it gently to prevent damage to the starter or housing.*

6. If the choke knob was moved to the CLOSED position to start the engine, gradually push it to the OPEN position as the engine warms up.
7. If you wish to use the Eco-Throttle system, turn the Eco-Throttle switch to the ON position after the engine has warmed up for 2 or 3 minutes.

# STOPPING THE ENGINE

---

## **In an emergency:**

1. To stop the engine in an emergency, turn the engine switch to the OFF position.

## **In normal use:**

1. Unplug appliances from the generator receptacles.  
If applicable for parallel operation, unplug the appliance from the parallel operation kit.
2. Turn the engine switch to the OFF position.
3. Turn the fuel valve lever to the OFF position.
4. If two generators were connected for parallel operation, disconnect the parallel operation kit/receptacle assembly after stopping the engines if you do not wish to resume parallel operation.

## THE IMPORTANCE OF MAINTENANCE

Good maintenance is essential for safe, economical, and trouble-free operation. It will also help reduce air pollution.

### **▲WARNING**

**Improper maintenance, or failure to correct a problem before operation, can cause a malfunction in which you can be seriously hurt or killed.**

**Always follow the inspection and maintenance recommendations and schedules in this owner's manual.**

To help you properly care for your generator, the following pages include a maintenance schedule, routine inspection procedures, and simple maintenance procedures using basic hand tools. Other service tasks that are more difficult, or require special tools, are best handled by professionals and are normally performed by a Honda technician or other qualified mechanic.

The maintenance schedule applies to normal operating conditions. If you operate your generator under severe conditions, such as sustained high-load or high-temperature operation, or use it in unusually wet or dusty conditions, consult your servicing dealer for recommendations applicable to your individual needs and use.

**Maintenance, replacement, or repair of the emission control devices and systems may be performed by any engine repair establishment or individual, using parts that are "certified" to EPA standards.**

---

## MAINTENANCE SAFETY

Some of the most important safety precautions follow. However, we cannot warn you of every conceivable hazard that can arise in performing maintenance. Only you can decide whether or not you should perform a given task.

### **▲WARNING**

**Failure to properly follow maintenance instructions and precautions can cause you to be seriously hurt or killed.**

**Always follow the procedures and precautions in the owner's manual.**

### **Safety Precautions**

- Make sure the engine is off before you begin any maintenance or repairs. This will eliminate several potential hazards:
  - **Carbon monoxide poisoning from engine exhaust.**  
Be sure there is adequate ventilation whenever you operate the engine.
  - **Burns from hot parts.**  
Let the engine and exhaust system cool before touching.
  - **Injury from moving parts.**  
Do not run the engine unless instructed to do so.
- Read the instructions before you begin, and make sure you have the tools and skills required.
- To reduce the possibility of fire or explosion, be careful when working around gasoline. Use only a nonflammable solvent, not gasoline, to clean parts. Keep cigarettes, sparks, and flames away from all fuel-related parts.

Remember that your servicing dealer knows your generator best and is fully equipped to maintain and repair it.

To ensure the best quality and reliability, use only new, genuine Honda parts or their equivalents for repair or replacement.



---

## **EMISSION CONTROL SYSTEM INFORMATION**

### **Source of Emissions**

The combustion process produces carbon monoxide, oxides of nitrogen, and hydrocarbons. Control of hydrocarbons and oxides of nitrogen are very important because, under certain conditions, they react to form photochemical smog when subjected to sunlight. Carbon monoxide does not react in the same way, but it is toxic.

Honda utilizes appropriate air/fuel ratios and other emissions control systems to reduce the emissions of carbon monoxide, oxides of nitrogen, and hydrocarbons.

Additionally, Honda fuel systems utilize components and control technologies to reduce evaporative emissions.

### **The U.S. and California Clean Air Acts**

EPA and California regulations require all manufacturers to furnish written instructions describing the operation and maintenance of emission control systems.

The following instructions and procedures must be followed in order to keep the emissions from your Honda engine within the emission standards.

### **Tampering and Altering**

Tampering with or altering the emission control system may increase emissions beyond the legal limit. Among those acts that constitute tampering are:

- Removal or alteration of any part of the intake, fuel, or exhaust systems.
- Altering or defeating the governor linkage or speed-adjusting mechanism to cause the engine to operate outside its design parameters.

---

## Problems That May Affect Emissions

If you are aware of any of the following symptoms, have your engine inspected and repaired by your servicing dealer.

- Hard starting or stalling after starting.
- Rough idle.
- Misfiring or backfiring under load.
- Afterburning (backfiring).
- Black exhaust smoke or high fuel consumption.

## Replacement Parts

The emission control systems on your Honda engine were designed, built, and certified to conform with EPA and California emission regulations (models certified for sale in California). We recommend the use of genuine Honda parts whenever you have maintenance done. These original-design replacement parts are manufactured to the same standards as the original parts, so you can be confident of their performance. The use of replacement parts that are not of the original design and quality may impair the effectiveness of your emission control system.

A manufacturer of an aftermarket part assumes the responsibility that the part will not adversely affect emission performance. The manufacturer or rebuilder of the part must certify that use of the part will not result in a failure of the engine to comply with emission regulations.

## Maintenance

Follow the *maintenance schedule* on page 42. Remember that this schedule is based on the assumption that your machine will be used for its designed purpose. Sustained high-load or high-temperature operation, or use in unusually wet or dusty conditions, will require more frequent service.

---

## AIR INDEX (Models certified for sale in California)

An Air Index Information hang tag/label is applied to engines certified to an emission durability time period in accordance with the requirements of the California Air Resources Board.

The bar graph is intended to provide you, our customer, the ability to compare the emissions performance of available engines. The lower the Air Index, the less pollution.

The durability description is intended to provide you with information relating to the engine's emission durability period. The descriptive term indicates the useful life period for the engine's emission control system. See your *Emission Control System Warranty* for additional information.

Descriptive Term	Applicable to Emission Durability Period
Moderate	50 hours (0–80 cc, inclusive) 125 hours (greater than 80 cc)
Intermediate	125 hours (0–80 cc, inclusive) 250 hours (greater than 80 cc)
Extended	300 hours (0–80 cc, inclusive) 500 hours (greater than 80 cc) 1,000 hours (225 cc and greater)

The Air Index Information hang tag must remain on the generator until it is sold. Remove the hang tag before operating the generator.

## MAINTENANCE SCHEDULE

REGULAR SERVICE PERIOD (3)		Each use	First month or 20 Hrs.	Every 3 months or 50 Hrs.	Every 6 months or 100 Hrs.	Every year or 300 Hrs.
ITEM	Perform at every indicated month or operating hour interval, whichever comes first.					
Engine oil	Check level	○				
	Change		○		○	
Air cleaner	Check	○				
	Clean			○(1)		
	Replace					○ *
Canister (California type)	Check	Every 2 years (Replace if necessary) (2)				
Purge tube (California type)	Check	Every 2 years (Replace if necessary) (2)				
Charge tube (California type)	Check	Every 2 years (Replace if necessary) (2)				
Sediment cup	Clean				○	
Spark plug	Check-adjust				○	
	Replace					○
Spark arrester	Clean				○	
Valve clearance	Check-adjust					○(2)
Combustion chamber	Clean	After every 500 Hrs. (2)				
Fuel tank and filter	Clean					○(2)
Fuel line	Check	Every 2 years (Replace if necessary) (2)				

\* Replace the paper air filter only.

(1) Service more frequently when used in dusty areas.

(2) These items should be serviced by an authorized Honda generator dealer, unless the owner has the proper tools and is mechanically proficient. See the Honda Shop Manual.

(3) For commercial use, log hours of operation to determine proper maintenance intervals.

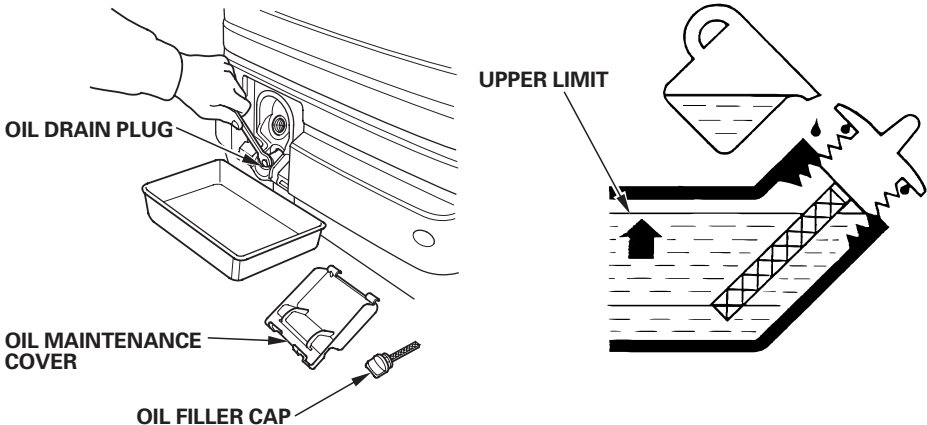
Failure to follow this maintenance schedule could result in non-warrantable failures.

---

## ENGINE OIL CHANGE

Drain the oil while the engine is warm to assure rapid and complete draining.

1. Open and remove the oil maintenance cover.
2. Place a suitable container below the engine to catch the oil, then remove the drain plug and sealing washer, remove the oil filler cap, and drain the oil.
3. Reinstall the oil drain plug and sealing washer. Tighten the plug securely.
4. Refill with the recommended oil (see page 31 ) and check the oil level.
5. Reinstall, close and latch the oil maintenance cover.



Wash your hands with soap and water after handling used oil.

### NOTICE

*Improper disposal of engine oil can be harmful to the environment. If you change your own oil, please dispose of it properly. Put it in a sealed container, and take it to a recycling center. Do not discard it in a trash bin, dump it on the ground, or pour it down a drain.*

---

## AIR CLEANER SERVICE

A dirty air filter will restrict air flow to the carburetor. To prevent carburetor malfunction, service the air cleaner regularly. Service more frequently when operating the generator in extremely dusty areas.

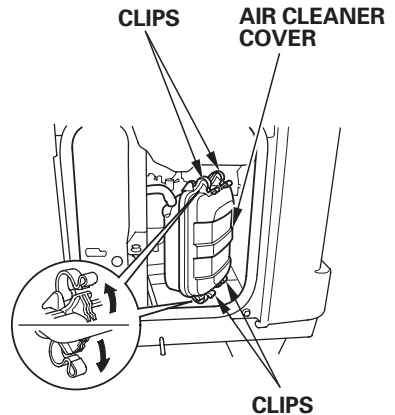
### ▲WARNING

**Using gasoline or flammable solvent to clean the air filter can cause a fire or explosion. Use only soapy water or nonflammable solvent.**

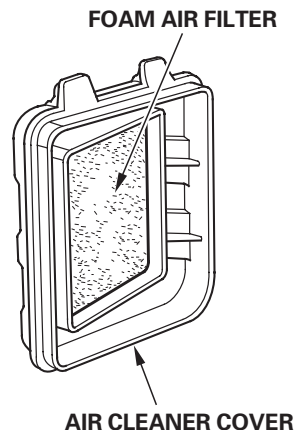
### NOTICE

*Operating the engine without an air filter or with a damaged air filter will allow dirt to enter the engine, causing rapid engine wear. This type of damage is not covered by the Distributor's Limited Warranty.*

1. Open the left side maintenance cover.
2. Unsnap the air cleaner cover clips, and remove the air cleaner cover.

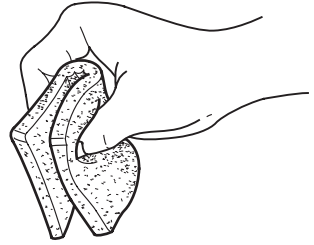


3. Foam air filter:
  - a. Remove the foam air filter from the air cleaner cover.
  - b. Wash the foam air filter in a solution of household detergent and warm water, then rinse thoroughly, or wash in nonflammable or high flash point solvent. Allow the foam air filter to dry thoroughly.



---

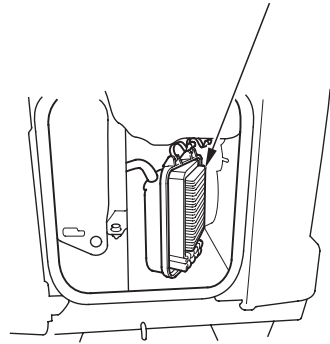
c. Soak the foam air filter in clean engine oil and squeeze out the excess oil. The engine will smoke during initial startup if too much oil is left in the foam air filter.



d. Reinstall the foam air filter to the air cleaner cover.

4. Paper air filter:  
If the paper air filter is dirty, replace it with a new one. Do not clean the paper air filter.

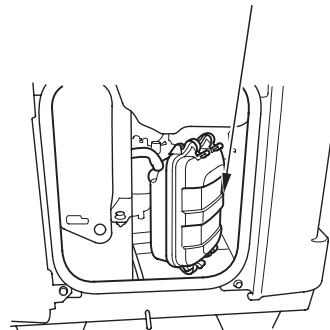
**PAPER AIR FILTER**



5. Reinstall the air cleaner cover.

**AIR CLEANER COVER**

6. Close and latch the left side maintenance cover.



---

## SPARK PLUG SERVICE

In order to service the spark plug, you will need a spark plug wrench (commercially available).

**Recommended spark plugs:** BPR5ES (NGK)  
W16EPR-U (DENSO)

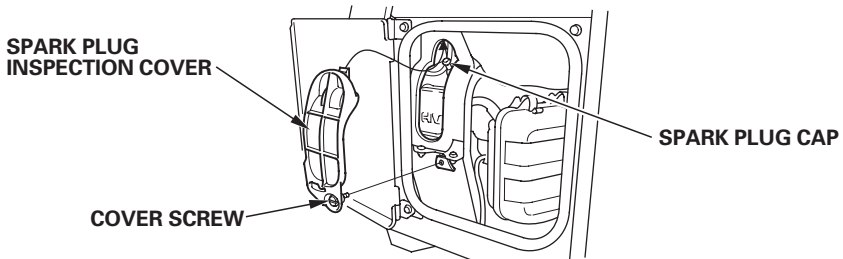
To ensure proper engine operation, the spark plug must be properly gapped and free of deposits.

**NOTICE**

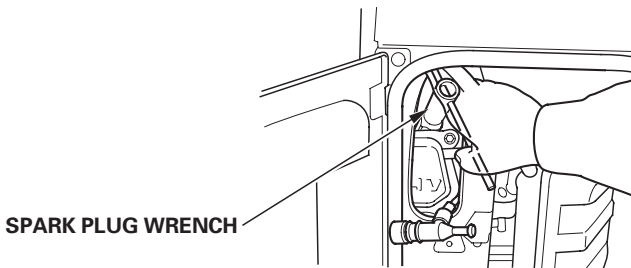
*An incorrect spark plug can cause engine damage.*

If the engine has been running, let it to cool before servicing the spark plug.

1. Open the left side maintenance cover.
2. Loosen the cover screw and remove the spark plug inspection cover.

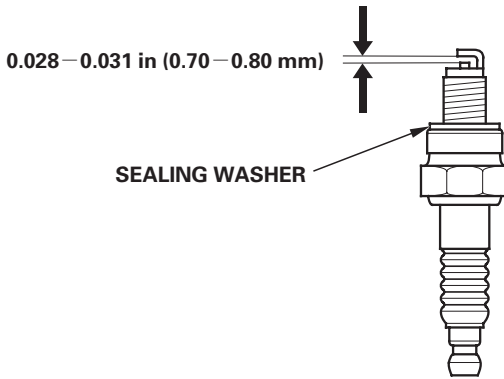


3. Remove the spark plug cap.
4. Clean any dirt from around the spark plug base.
5. Use a spark plug wrench to remove the spark plug.





- 
6. Visually inspect the spark plug. Replace it if the electrodes are worn or if the insulator is cracked, chipped, or fouled.
  7. Measure the spark plug electrode gap with a wire-type feeler gauge. Correct the gap, if necessary, by carefully bending the side electrode. The gap should be:  
0.028–0.031 in (0.70–0.80 mm)



8. Check that the spark plug sealing washer is in good condition, and thread the spark plug in by hand to prevent cross-threading.
9. After the spark plug is seated, tighten with a spark plug wrench to compress the washer.

If installing a new spark plug, tighten 1/2 turn after the spark plug seats to compress the washer. If reinstalling a used spark plug, tighten 1/8–1/4 turn after the spark plug seats to compress the washer.

**NOTICE**

*A loose spark plug can overheat and damage the engine. Overtightening the spark plug can damage the threads in the cylinder head.*

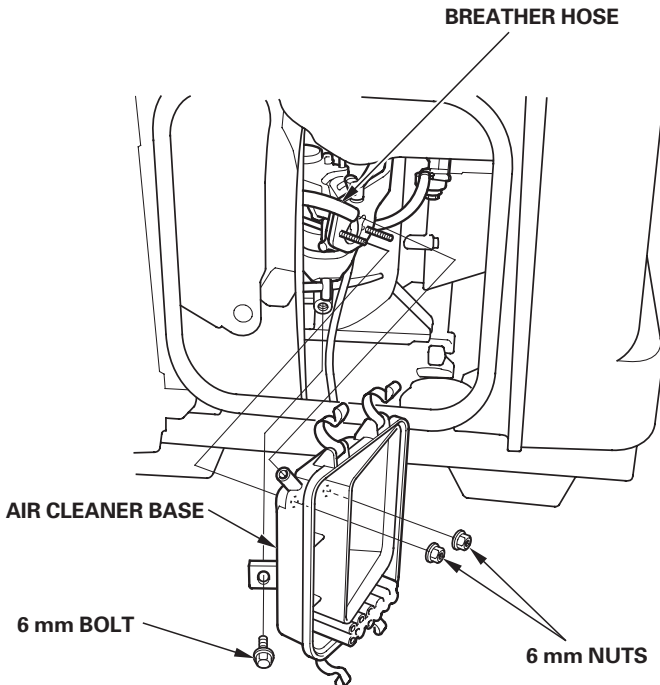
10. Reinstall the spark plug inspection cover and tighten the cover screw.
11. Close and latch the left side maintenance cover.

---

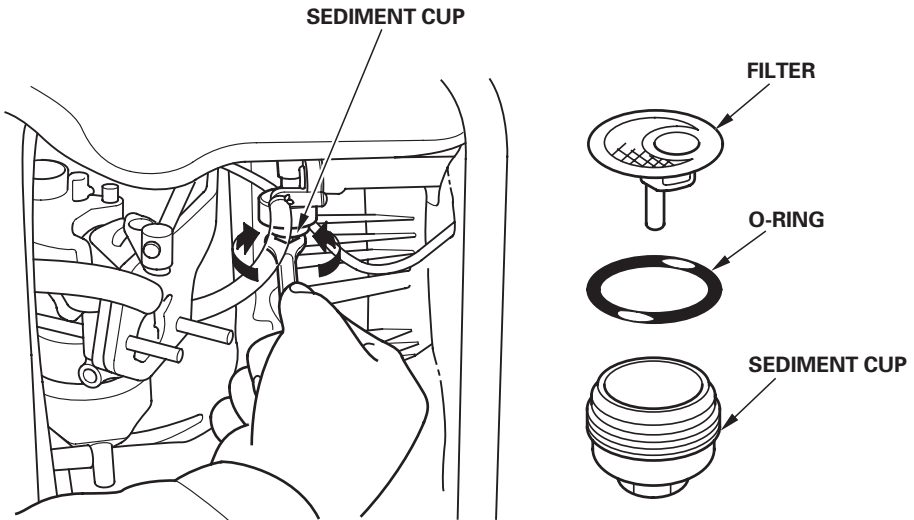
## FUEL SEDIMENT CUP CLEANING

The sediment cup prevents dirt or water which may be in the fuel tank from entering the carburetor. If the engine has not been run for a long time, the sediment cup should be cleaned.

1. Turn the engine switch to the OFF position.
2. Turn the fuel valve lever to the OFF position.
3. Open the left side maintenance cover.
4. Remove the air cleaner cover and paper air filter (see page 45 ).
5. Disconnect the breather hose from the air cleaner base.
6. Remove the 6 mm bolt and two 6 mm nuts, and remove the air cleaner base.



- 
7. Unscrew the sediment cup.
  8. Clean the sediment cup, O-ring, and filter in nonflammable or high flash point solvent.
  9. Reinstall the filter, O-ring, and sediment cup.
  10. Turn the fuel valve ON and check for leaks.
  11. Reinstall the air cleaner base, and connect the breather hose with the air cleaner base.
  12. Reinstall the paper air filter and air cleaner cover.
  13. Close and latch the left side maintenance cover.



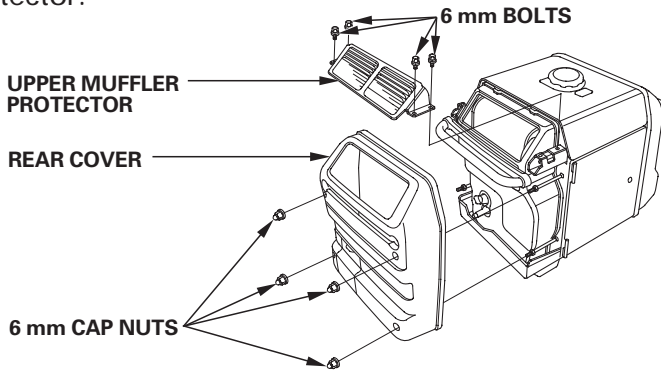
---

## SPARK ARRESTER MAINTENANCE

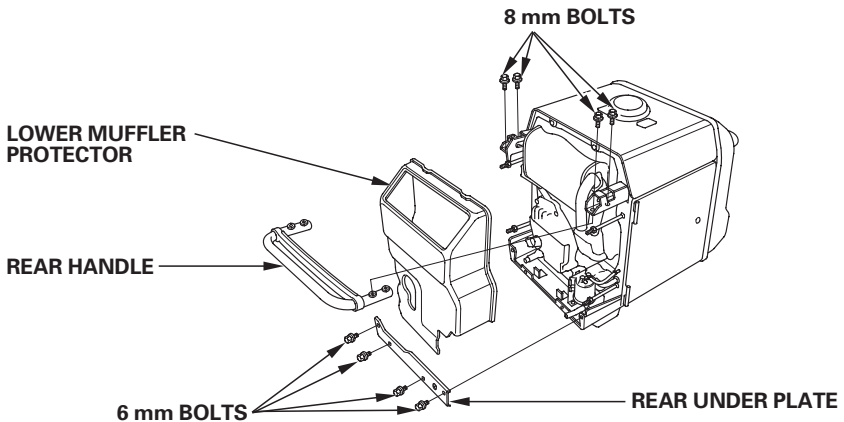
If the generator has been running, the muffler will be very hot. Allow it to cool before proceeding.

The spark arrester must be serviced every 100 hours to maintain its efficiency.

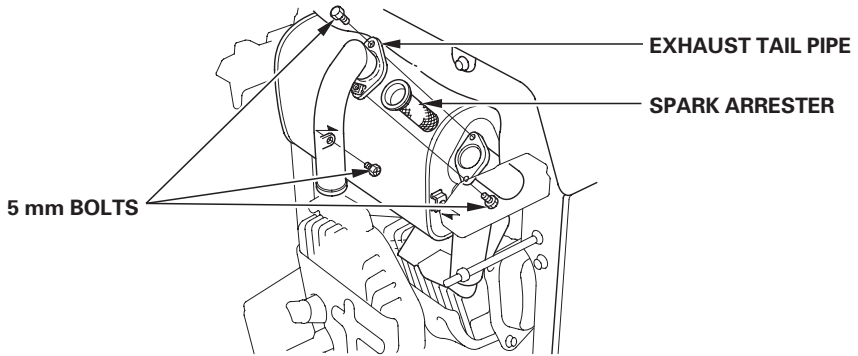
1. Remove the four 6 mm cap nuts, and remove the rear cover.
2. Remove the four 6 mm bolts, and remove the upper muffler protector.



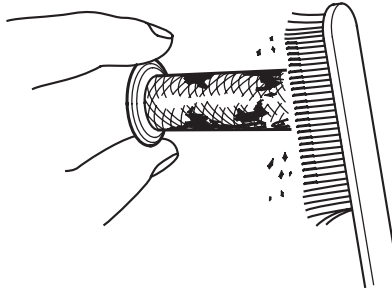
3. Remove the four 8 mm bolts, and remove the rear handle.
4. Remove the four 6 mm bolts, and remove the rear under plate.
5. Remove the lower muffler protector.



- 
6. Remove the three 5 mm bolts, and remove the exhaust tail pipe and the spark arrester.

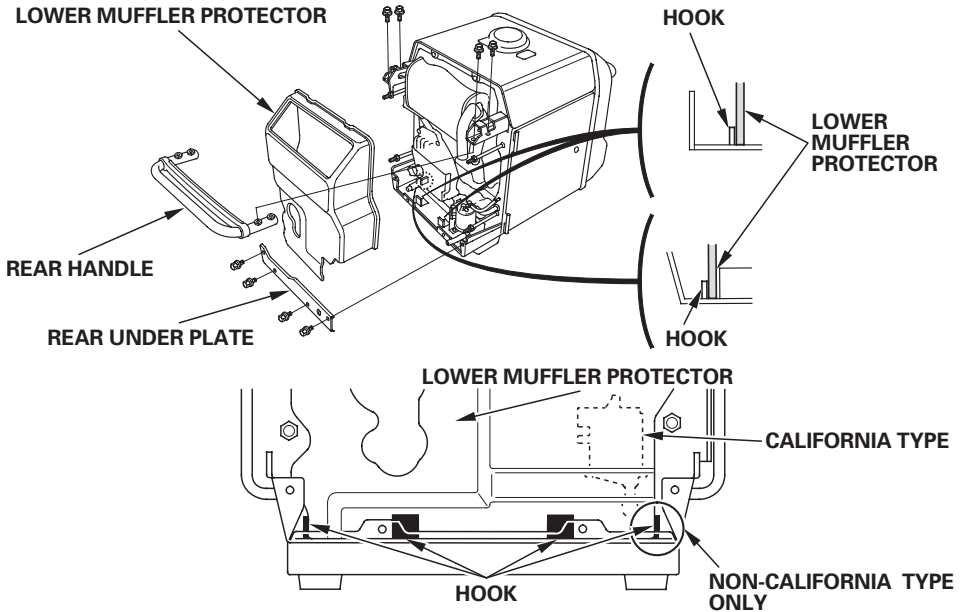


7. Use a brush to remove carbon deposits from the spark arrester screen.



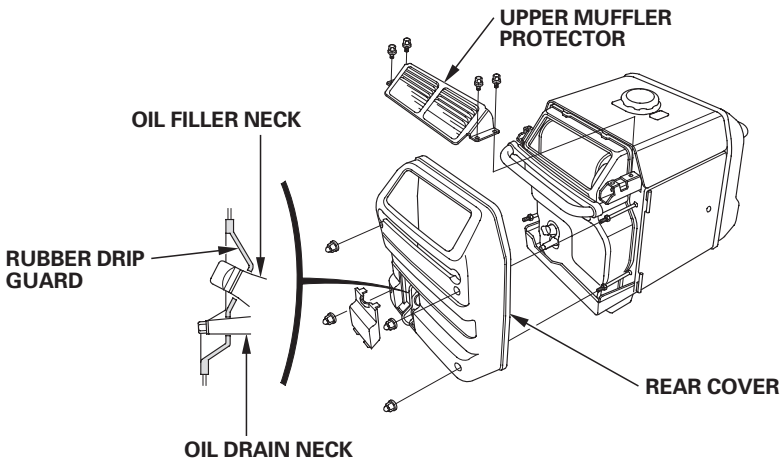
8. Inspect the screen for breaks or tears and replace it if necessary.
9. Install the spark arrester and the exhaust tail pipe in the reverse order of removal.

10. Install the lower muffler protector, the rear under plate and the rear handle in the reverse order of removal.



Install the lower muffler protector inside the hook securely.

11. Install the upper muffler protector and the rear cover in the reverse order of removal.



When installing the rear cover, carefully fit the rubber drip guard around the oil filler neck and oil drain neck.

---

## BATTERY

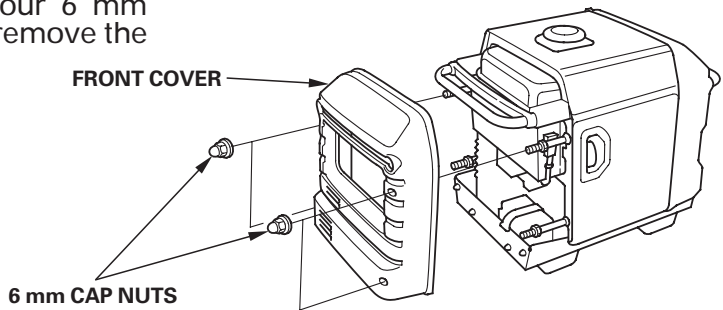
The generator's engine has a 0.5 amp charging system to charge the battery while the engine is running. If the generator is only used periodically, the battery must be charged monthly to maintain the battery service life.

A lead acid battery self discharges at a rate of 0.5 – 1.0% per day. This means that the battery, if the generator is not operated in a month, can discharge as much as 30% in the same period. This could cause the engine not to crank or shorten the service life of the battery. To charge the battery, follow the procedures below.

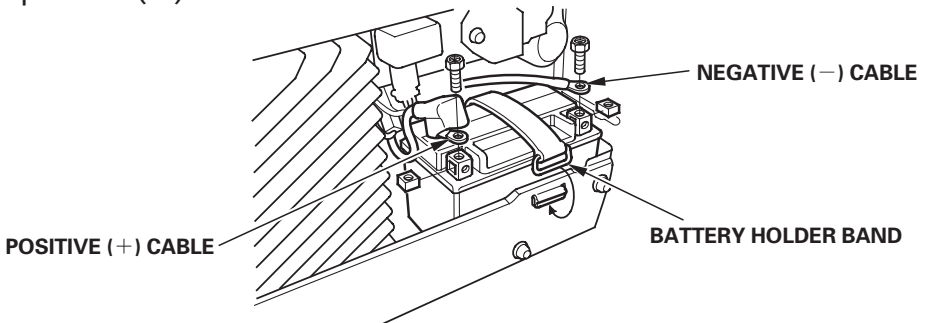
### Removal:

**WARNING:** Battery posts, terminals and related accessories contain lead and lead components. **Wash hands after handling.**

1. Remove the four 6 mm cap nuts, and remove the front cover.



2. Remove the battery holder band.
3. Remove the negative (-) cable from the battery negative (-) terminal; then remove the positive (+) cable from the battery positive (+) terminal.



4. Remove the battery from the battery tray.

---

## Charging:

The battery is rated at 8 Ah (ampere-hours). Charging current should equal 10% of the battery's ampere-hour rating. A battery charger should be used that can be adjusted to deliver 0.8 amps.

### **▲WARNING**

**The battery gives off explosive gasses; keep sparks, flames and cigarettes away from the battery while charging. Provide adequate ventilation when charging.**

- **The battery contains sulfuric acid (electrolyte). Contact with skin or eyes may cause severe burns. Wear protective clothing and a face shield.**
  - **If electrolyte gets on your skin, flush with water.**
  - **If electrolyte gets in your eyes, flush with water for at least 15 minutes and call a physician immediately.**
- **Electrolyte is poisonous.**
  - **If swallowed, drink large quantities of water or milk and follow with milk of magnesia or vegetable oil and call a physician.**
- **Battery posts, terminals and related accessories contain lead and lead compounds. Wash hands after handling.**
- **KEEP OUT OF REACH OF CHILDREN.**

1. Connect the battery charger following the manufacturer's instructions.
2. Charge the battery 3–4 hours.
3. Clean the outside of the battery and the battery tray compartment with a solution of baking soda and water.



---

**Installation:**

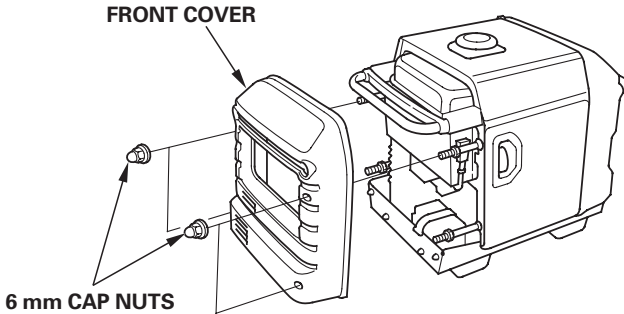
1. Install the battery in the generator.
2. Install the positive (+) cable to the battery positive (+) terminal; then install the negative (−) cable to the battery negative (−) terminal.
3. Install the battery holder band.
4. Install the front cover, and install the four 6 mm cap nuts.

---

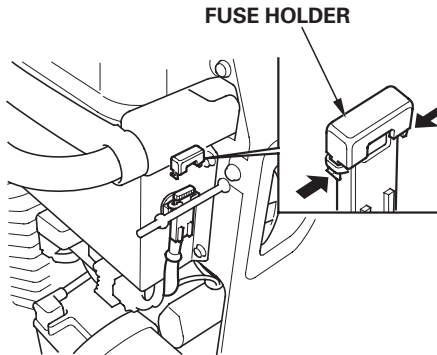
## FUSE REPLACEMENT

If the fuse is blown, the starter motor won't operate.

1. Turn the engine switch to the OFF position.
2. Remove the four 6 mm cap nuts and the front cover.



3. Remove the fuse holder cover and replace the fuse. The specified fuse is 5A.



If frequent fuse failure occurs, determine the cause and correct the problem before attempting to operate the generator further.

### NOTICE

*Never use a fuse with a different rating from that specified. Serious damage to the electrical system or fire may result.*

## TRANSPORTING

### NOTICE

*Do not lay the generator on its side when moving, storing, or operating it. Oil or fuel may leak and damage the engine or your property.*

If the generator has been used, allow it cool for at least 15 minutes before loading the generator on the transport vehicle. A hot engine and exhaust system can burn you and can ignite some material.

When transporting the generator, turn the engine switch and the fuel valve OFF, and keep the generator level to reduce the possibility of fuel leakage.

Take care not to drop or strike the generator when transporting. Do not place heavy objects on the generator.

---

## STORAGE

Before storing the unit for an extended period:

1. Be sure the storage area is free of excessive humidity and dust.
2. Service according to the table below:

<b>STORAGE TIME</b>	<b>RECOMMENDED SERVICE PROCEDURE TO PREVENT HARD STARTING</b>
Less than 1 month	No preparation required
1 to 2 months	Fill with fresh gasoline and add gasoline stabilizer *.
2 months to 1 year	Fill with fresh gasoline and add gasoline stabilizer *. Drain the carburetor float bowl (page 59). Drain the fuel sediment cup (page 48).
1 year or more	Fill with fresh gasoline and add gasoline stabilizer *. Drain the carburetor float bowl (page 59). Drain the fuel sediment cup (page 48). Remove the spark plug. Put a tablespoon of engine oil into the cylinder. Turn the engine slowly with the starter grip to distribute the oil. Reinstall the spark plug. Change the engine oil (page 43). After removal from storage, drain the stored gasoline into a suitable container, and fill with fresh gasoline before starting.
* Use gasoline stabilizers that are formulated to extend storage life. Contact your authorized Honda generator dealer for gasoline stabilizer recommendations.	

---

## Storage Procedure

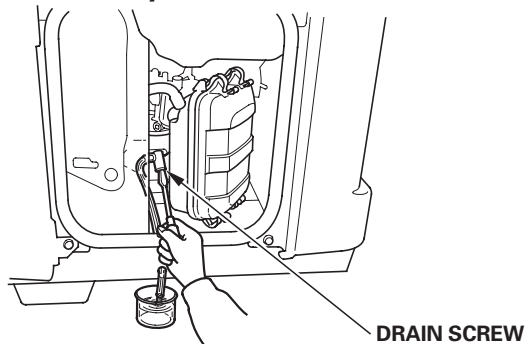
1. Drain the carburetor and the fuel sediment cup.
  - a. Open the left side maintenance cover.
  - b. Loosen the carburetor drain screw.
  - c. Drain the gasoline from the carburetor into a suitable container.
  - d. Tighten the carburetor drain screw.
  - e. Drain the fuel sediment cup (see page 48).
  - f. Close the left side maintenance cover.

### ▲WARNING

**Gasoline is highly flammable and explosive.**

**You can be burned or seriously injured when handling fuel.**

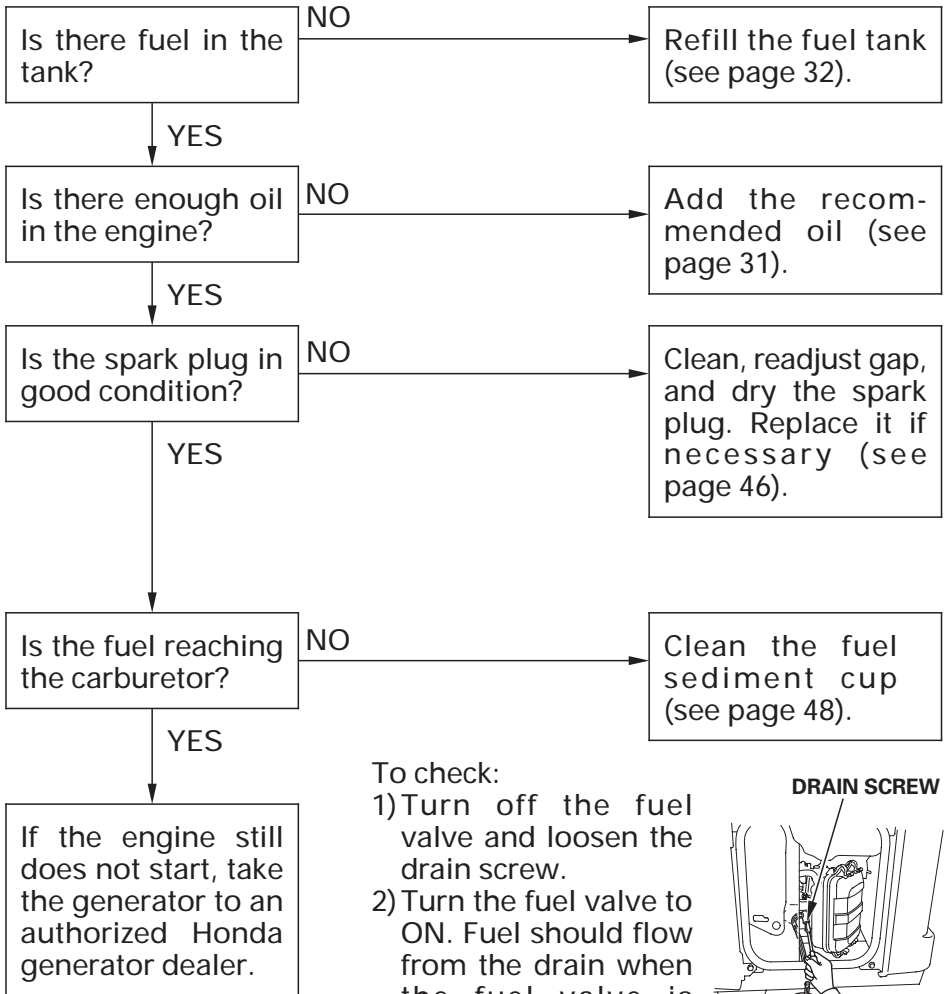
- **Keep heat, sparks, and flame away.**
- **Handle fuel only outdoors.**
- **Wipe up spills immediately.**



2. Change the engine oil (see page 43).
3. Remove the spark plug, and pour about a tablespoon of clean engine oil into the cylinder. Crank the engine several revolutions to distribute the oil, then reinstall the spark plug.
4. Slowly pull the starter grip until resistance is felt. At this point, the piston is coming up on its compression stroke and both the intake and exhaust valves are closed. Storing the engine in this position will help to protect it from internal corrosion.
5. Once a month, recharge the battery (see page 54).

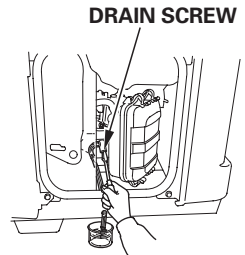
# TROUBLESHOOTING

When the engine will not start:

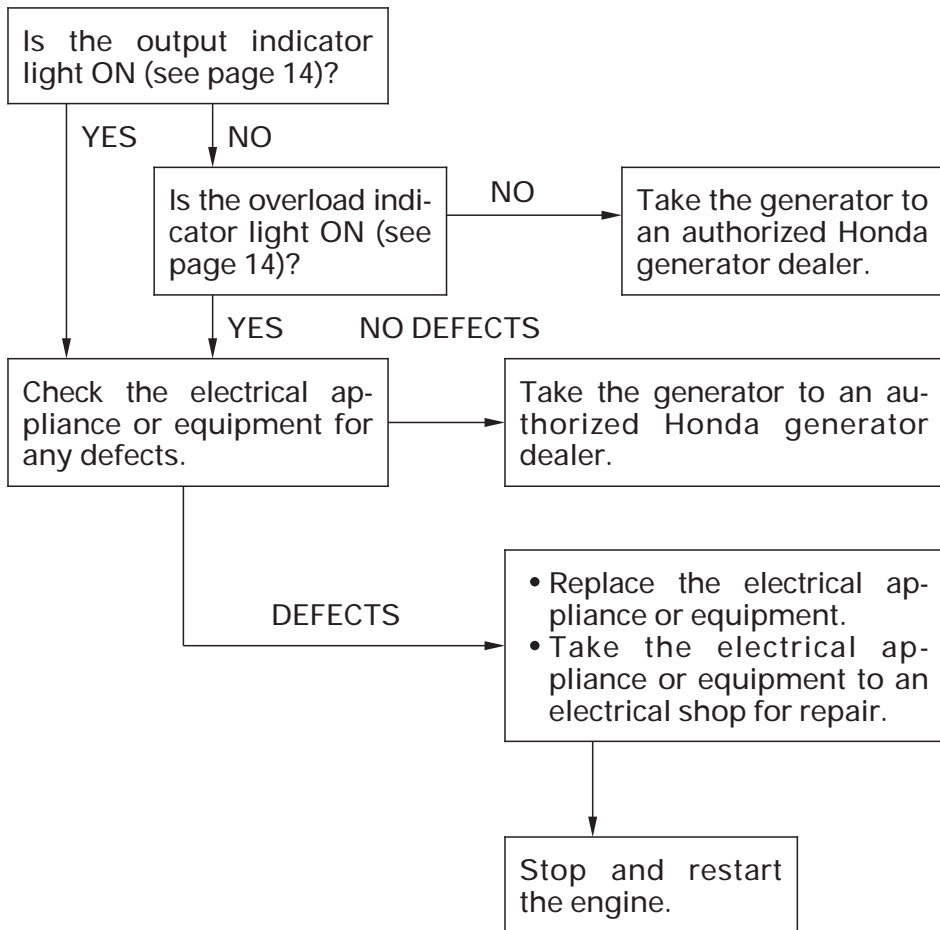


To check:

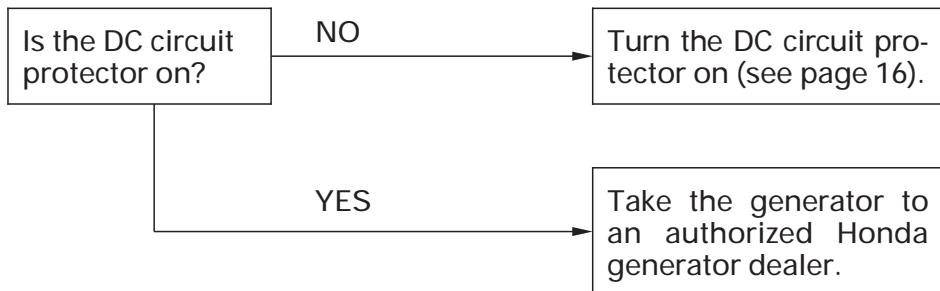
- 1) Turn off the fuel valve and loosen the drain screw.
- 2) Turn the fuel valve to ON. Fuel should flow from the drain when the fuel valve is turned ON.



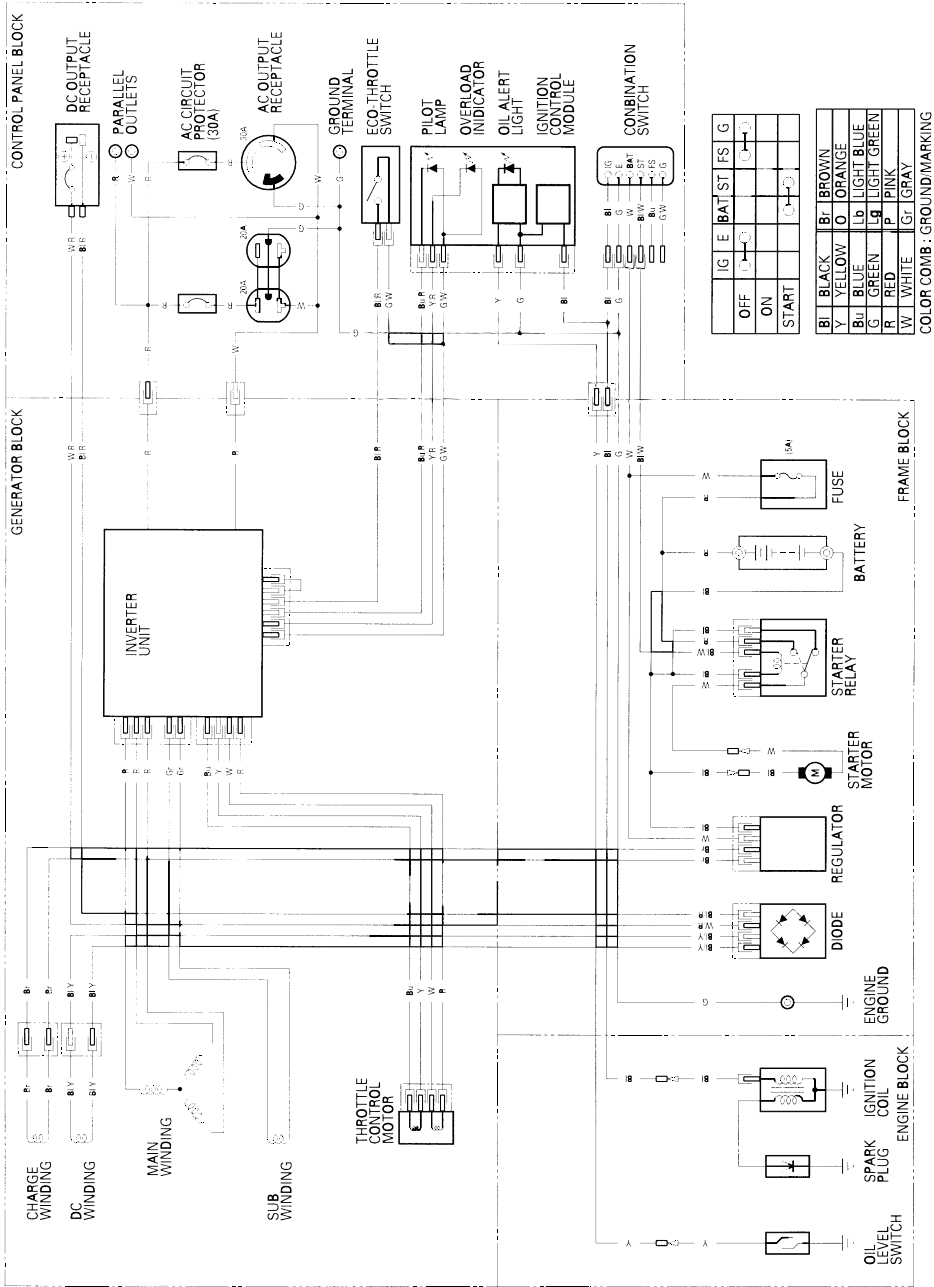
Appliance does not operate:



No electricity at the DC receptacle:



# WIRING DIAGRAM





# SPECIFICATIONS

## Dimensions

Model (Type)	EU3000is (Stand type)	EU3000is (Wheel type)
Description code	EZGF	
Length	25.9 in (657 mm)	
Width	17.6 in (447 mm)	19.0 in (482 mm)* <sup>1</sup>
Height	21.9 in (557 mm)	22.4 in (570 mm)* <sup>1</sup>
Dry weight	130.1 lbs (59.0 kg) * <sup>1</sup> 130.7 lbs (59.3 kg) * <sup>2</sup>	134.9 lbs (61.2 kg)* <sup>1</sup>

\* 1: Non-California type(AN type) \* 2: California type(AC type)

## Engine

Model	GX200
Engine type	4-stroke, overhead valve, single cylinder
Displacement 〔Bore x Stroke〕	12.0 cu-in (196 cm <sup>3</sup> ) 〔2.7 × 2.1 in (68 × 54 mm)〕
Compression ratio	8.5:1
Engine speed	3,500 rpm
Cooling system	Forced air
Ignition system	Transistorized magneto
Oil capacity	0.58 US qt (0.55 ℓ)
Fuel tank capacity	3.51 US gal (13.3 ℓ)
Spark plug	BPR5ES (NGK) · W16EPR-U (DENSO)

## Generator

Model	EU3000is	
Type	California type (AC type) · Non-California type (AN type)	
AC output	Rated voltage	120 V
	Rated frequency	60 Hz
	Rated current	23.4 A
	Rated output	2.8 kVA
	Maximum output	3.0 kVA
DC output	Only for charging 12V automotive batteries. Maximum charging output=12A	

## Tuneup

ITEM	SPECIFICATION	MAINTENANCE
Spark plug gap	0.028–0.031 in (0.70–0.80 mm)	Refer to page 48
Valve clearance (cold)	IN: 0.15 ± 0.02 mm EX: 0.20 ± 0.02 mm	See your authorized Honda dealer.
Other specifications	No other adjustments needed.	

Specifications may vary according to the types, and are subject to change without notice.

# WARRANTY SERVICE INFORMATION

---

## Dealer Locator Information

To find an authorized Honda Servicing Dealer anywhere in the United States:

Visit our website:  
[www.hondapowerequipment.com](http://www.hondapowerequipment.com)

## Customer Service Information

Servicing dealership personnel are trained professionals. They should be able to answer most questions you may have. If you encounter a problem that your dealer does not solve to your satisfaction, please discuss it with the dealership's management. The Service Manager or General Manager can help. Almost all problems are solved in this way.

If you are dissatisfied with the decision made by the dealership's management, contact the Honda Power Equipment Customer Relations Office. You can write to:

American Honda Motor Co., Inc.  
Power Equipment Division  
Customer Relations Office  
4900 Marconi Drive  
Alpharetta, Georgia 30005-8847

Or telephone: (770) 497-6400 8:30 am to 7:00 pm ET

When you write or call, please give us this information:

- Model and serial number (see page 10 )
- Name of dealer who sold the generator to you
- Name and address of dealer who services your generator
- Date of purchase
- Your name, address, and telephone number
- A detailed description of the problem

---

## **Honda Publications**

### **Shop Manual**

This manual covers complete maintenance and overhaul procedures. It is intended to be used by a skilled technician.

Available through your Honda dealer or through Helm Inc. at 1 888-292-5395 or visit [www.hondapowerequipment.com](http://www.hondapowerequipment.com)

### **Parts Catalog**

This manual provides complete, illustrated parts lists. Available through your Honda dealer.

### **Accessories Catalog**

Your authorized Honda power equipment dealer offers a wide selection of accessories (optional equipment) to make your generator even more useful.

Visit [www.hondapowerequipment.com](http://www.hondapowerequipment.com) and click on Generators and Welders to see the entire catalog of accessories.

Especially popular accessories include:

- Covers
- Spill-proof gasoline cans
- Battery charging cords
- Parallel connection cables
- Transfer switches and kits
- Plugs and connectors

# INDEX

---

COMPONENT IDENTIFICATION .....	9
CONTENTS .....	3
CONTROLS .....	11
AC Circuit Protector .....	16
Choke knob .....	13
DC Circuit Protector .....	16
DC Receptacle .....	16
Eco-Throttle Switch .....	13
Engine Switch .....	11
Fuel Valve Lever .....	12
Ground Terminal .....	17
Oil Alert® System .....	15
Output Indicator Light .....	14
Overload Indicator Light .....	14
Parallel Operation Outlets .....	15
Starter Grip .....	12
GENERATOR USE .....	18
AC Applications .....	20
AC Operation .....	21
AC Parallel Operation .....	25
AC Parallel Operation Applications .....	23
Connections to a Building Electrical System .....	18
Connecting the battery charging cable (optional equipment) .....	26
DC Operation .....	26
Disconnecting the battery charging cable .....	28
Eco-Throttle System .....	29
Ground System .....	18
High Altitude Operation .....	30
Special Requirements .....	19
MAINTENANCE .....	37
Air Cleaner Service .....	44
Air Index .....	41
Battery .....	53
Emission Control System Information .....	39
Engine Oil Change .....	43
Fuse Replacement .....	56
Fuel Sediment Cup Cleaning .....	48
Maintenance Safety .....	38
Maintenance Schedule .....	42
Spark Arrester Maintenance .....	50
Spark Plug Service .....	46
The Importance of Maintenance .....	37

---

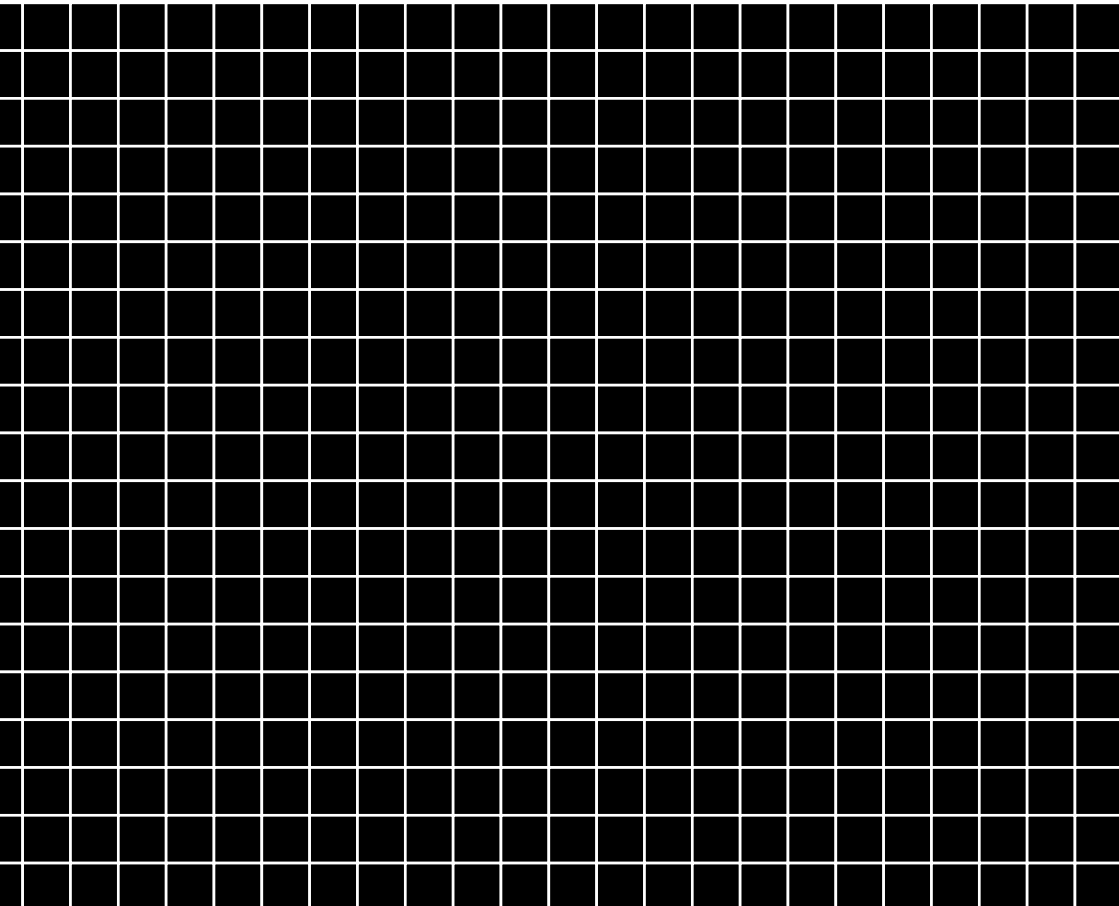
PRE-OPERATION CHECK .....	31
Engine Oil .....	31
Fuel Recommendations .....	33
Refueling .....	32
GENERATOR SAFETY .....	5
Important Safety Information .....	7
Safety Label Locations .....	5
SPECIFICATIONS .....	63
STARTING THE ENGINE .....	34
STOPPING THE ENGINE .....	36
TRANSPORTING/STORAGE .....	57
Storage .....	58
Transporting .....	57
TROUBLESHOOTING .....	60
WARRANTY SERVICE INFORMATION .....	64
Customer Service Information .....	64
Dealer Locator Information .....	64
Honda Publications .....	65
WIRING DIAGRAM .....	62

---

**MEMO**

# HONDA

The Power of Dreams



31ZT7611  
00X31-ZT7-6110



12000.2007.03

Printed in Japan