



A TEREX BRAND

Parts Manual

Serial Number Range

Z-60/34

to SN 1090 to 4000

Part No. 65440

Rev E2

November 2018

Technical Publications

Genie has endeavored to deliver the highest degree of accuracy possible. However, continuous improvement of our products is a Genie policy. Therefore, product specifications are subject to change without notice.

Readers are encouraged to notify Genie of errors and send in suggestions for improvement. All communications will be carefully considered for future printings of this and all other manuals.

Contact Us:

Internet: www.genielift.com
e-mail: awp.techpub@terex.com

Find a Manual for this Model

Go to <http://www.genielift.com>

Use the links to locate Operator's, Parts, Maintenance, and Service and Repair Manuals.

Copyright © 2011 Terex Corporation

65440 Rev E March 2018
Second Edition, Fifth Printing

Genie is a registered trademark of Terex South Dakota, Inc. in the USA and many other countries. "Z" is a trademark of Terex South Dakota, Inc.



Printed on recycled paper

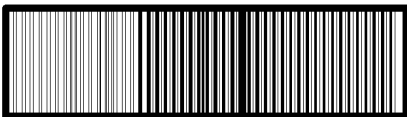


A TEREX BRAND

Model: Z-60/34
Serial number: Z6006-12345
Model year: 2006 **Manufacture date:** 01/05/06
Electrical schematic number: ES0423
Machine unladen weight:

Rated work load (including occupants): 500 lb / 227 kg
Maximum number of platform occupants: 2
Maximum allowable side force : 150 lb / 670 N
Maximum allowable inclination of the chassis:
0 deg
Maximum wind speed : 28 mph/ 12.5 m/s
Maximum platform height : 60 ft 4 in/ 18.3 m
Maximum platform reach : 34 ft / 10.4 m
Gradeability: N/A
Country of manufacture: USA
This machine complies with:
ANSI A92.5
CAN B.354.4

Terex South Dakota, Inc.
18340 NE 76th Street
Redmond, WA 98052
USA



00000000

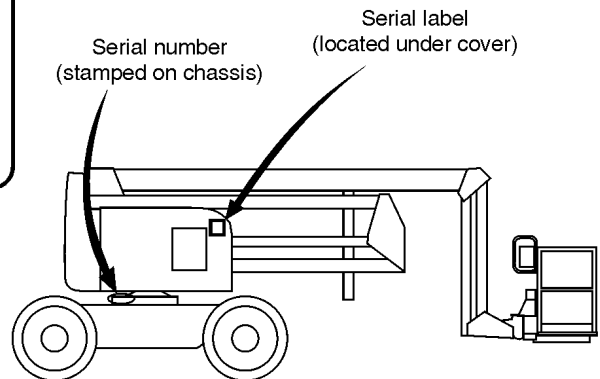
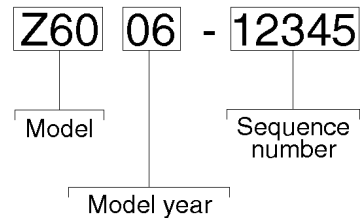
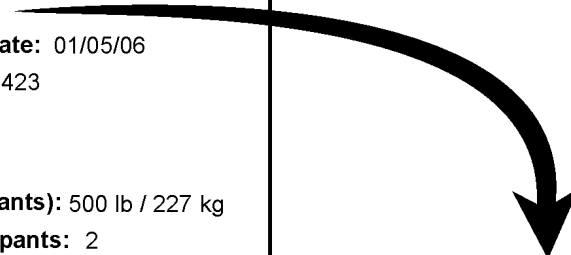


Table of Contents

This manual is updated frequently. If you have a printed manual, you can keep it up to date by downloading new figures from the Genie website at www.genielift.com. For the most up-to-date parts information, visit the Parts Lookup System on the Genie website at www.genielift.com.

How to Read Your Serial Number.....	3
Parts Stocking List.....	7
How to Order Parts.....	8
Service Parts Fax Order Form.....	9

Electronic Version

Click on any page number to view the figure.

100 Decals

101.1 Decals.....	10
-------------------	----

200 2WD Drive Chassis Components

201.1 2WD Steer Axle Linkage, Non-oscillating Models.....	12
202.1 2WD Steer Axle Linkage, Oscillating Models.....	14
203.1 2WD Steer Axle - Wheels and Hubs.....	16
204.1 2WD Steer Manifold and Steer/Oscillating Manifold...	18
205.1 2WD Drive Manifold.....	20
206.1 2WD Non-steer Axle.....	22
207.1 2WD Hydraulic Hoses and Fittings - Non Oscillating Axle.....	24
208.1 2WD Hydraulic Hoses and Fitting - Oscillating Models.....	28

300 4WD Drive Chassis Components

301.1 4WD Steer Axle Linkage.....	32
302.1 4WD Steer Axle Linkage - Wheels and Hubs.....	34
303.1 4WD Steer/Oscillating Manifold.....	36
304.1 4WD Drive Manifold.....	38
305.1 4WD Non-steer Axle.....	40
306.1 4WD Hydraulic Hoses and Fittings - Oscillating Axle.....	42

400 Engine Components

401.1 Ford LRG-425 EFI Engine - View 1.....	46
402.1 Ford LRG-425 EFI Engine - View 2.....	48
403.1 Ford LRG-425 EFI Engine - View 3.....	50
404.1 Deutz F4L 1011F Diesel Engine - View 1.....	52
405.1 Deutz F4L 1011F Diesel Engine - View 2.....	54
406.1 Deutz F4L 1011F Diesel Engine - View 3.....	56

500 Turntable Components

501.1 Hydraulic and Fuel Tanks - Ford Models (with plastic fuel tank).....	58
502.1 Hydraulic and Fuel Tanks - Ford Models (with metal fuel tank).....	60
503.1 Hydraulic and Fuel Tanks - Deutz Models (with plastic fuel tank).....	62
504.1 Hydraulic and Fuel Tank Deutz Models (with metal fuel tank).....	64
505.1 Function Manifold and Auxiliary Power Unit Installation.....	66
506.1 Function Manifold.....	68
507.1 Turntable Rotator and Rotary Couplers.....	72
508.1 Ground Controls - View 1.....	76
509.1 Ground Controls - View 2.....	78
510.1 Turntable Covers.....	80
511.1 Hydraulic Hoses and Fittings - Turntable Components.....	82

600 Boom Components

601.1 Secondary Boom - View 1.....	86
602.1 Secondary Boom - View 2.....	88
603.1 Upper Mid-pivot.....	90
604.1 Upper Mid-pivot and Primary Boom Rests.....	92
605.1 Primary and Extension Booms.....	94
606.1 Cable Track.....	96
607.1 Jib Boom and Platform Rotator.....	98
608.1 Hydraulic Hoses and Fittings - Boom Components..	102

700 Platform Components

701.1 Platform Installation - View 1.....	104
702.1 Platform Installation - View 2.....	106
703.1 Platform Controls - View 1.....	108
704.1 Platform Controls - View 2.....	110
705.1 Joystick Controller - Drive/Steer Functions.....	112
706.1 Joystick Controller - Secondary Boom Functions, Single Axis.....	114
707.1 Joystick Controller - Primary Boom and Turntable Rotate Functions.....	116

800 Accessories

801.1 Alarm and Beacon Package.....	118
802.1 Platform Options.....	120
803.1 Airline to Platform.....	122
804.1 Generator and Spare LPG Tank.....	124
805.1 Hoses and Fittings - Generator Option.....	126
806.1 Cold Start Package - Ford and Deutz Engines.....	128
807.1 Hostile Environment Package, Bellows and Cylinders.....	130
808.1 Hostile Environment Package - View 2.....	132

Indices

Part Number Index.....134

Part Description Index.....139

Cross References

Fittings Cross Reference.....146

Required Parts

The following parts are required to perform maintenance procedures as outlined in the Genie Z-60/34 Service Manual.

Ford Models:

Description	Part No.
Pre-Filter, Fuel	52179
Filter - Fuel Pressure Regulator	58967
Filter - Engine Oil	28656
Element - Air Filter	77295
Serpentine Belt	52580
Valve - PCV	33957
Spark Plug	28647

Deutz Models:

Description	Part No.
Element - Air Filter	62420
Filter - Fuel/water Separator	29560
Filter - Engine Oil	49924
V-Belt	32698
Manual - Workshop, Deutz 1011F	52229

Recommended Parts

Description	Part No.
Genie Blue Paint, 1 Gallon	32150
Genie Blue Paint, 12 Ounce Aerosol.....	1484
Genie Gray Paint, 1 Gallon.....	32151
Genie Gray Paint, 12 Ounce Aerosol	1268

Manuals

Genie Industries offers the following support documents for these models:

EMI Safety Manual	27581
Manual of Responsibilities ANSI A92.5	31779

How To Order Parts

How to Order Parts

Please be prepared with the following information when ordering replacement parts for your Terex or Genie product.

- Machine model number
- Machine serial number
- Part number
- Part description and quantity
- Purchase order number
- "Ship to" address
- Desired method of shipment
- Name and telephone number of the authorized distributor in your area.

Use the Service Parts Fax Order Form on the next page and fax your order to our Parts Department.

If you don't know the name of your authorized distributor, or if your area is not currently serviced by an authorized distributor, please call Terex or Genie Industries.

Machine Information

Model

Serial Number

Date of Purchase

Authorized Genie Distributor

Phone Number

North America

Telephone (425)881-1800
 Toll Free (800)536-1800 in US and Canada
 Fax (425)556-8659
 Toll Free fax (888)274-6192
 Email AWP.PartsSalesPO@terex.com
<http://genielift.com/en>

EMEAR (Europe, Middle East, Africa and Russia)

Telephone (31)(165)519 313
 Fax (31)(165)511 148
<http://genielift.co.uk>

Asia Pacific (Genie Singapore)

Telephone +65 6692 7777
 Fax +65 6261 8893
<http://genielift.com.sg/>

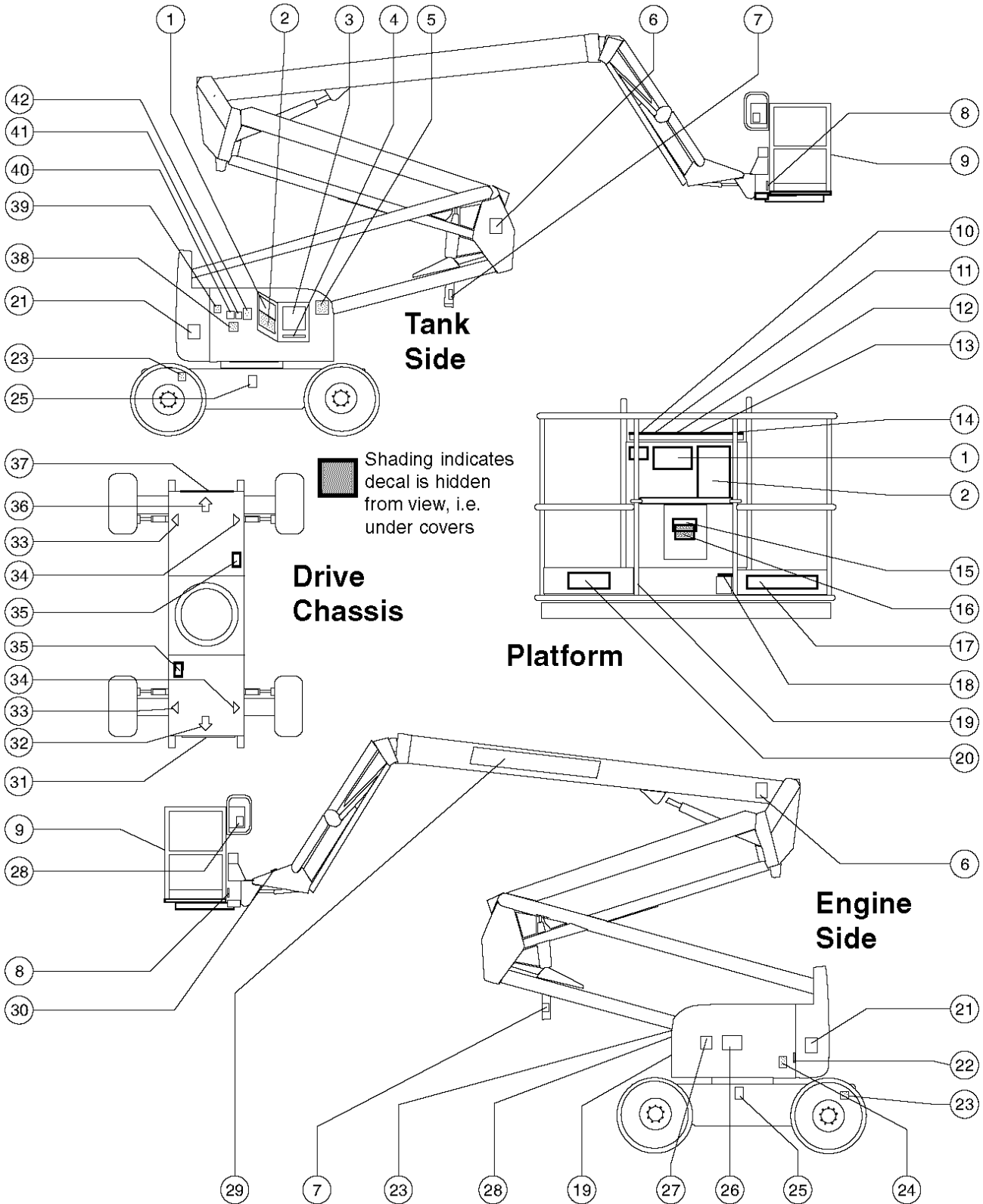
Australia

Telephone (61)(7)3456 4444
 Fax (61)(7)3456 4466
<http://genielift.com.au>

South America

Telephone (55)(11)4082 5600
 Fax (55)(11)4082 5630

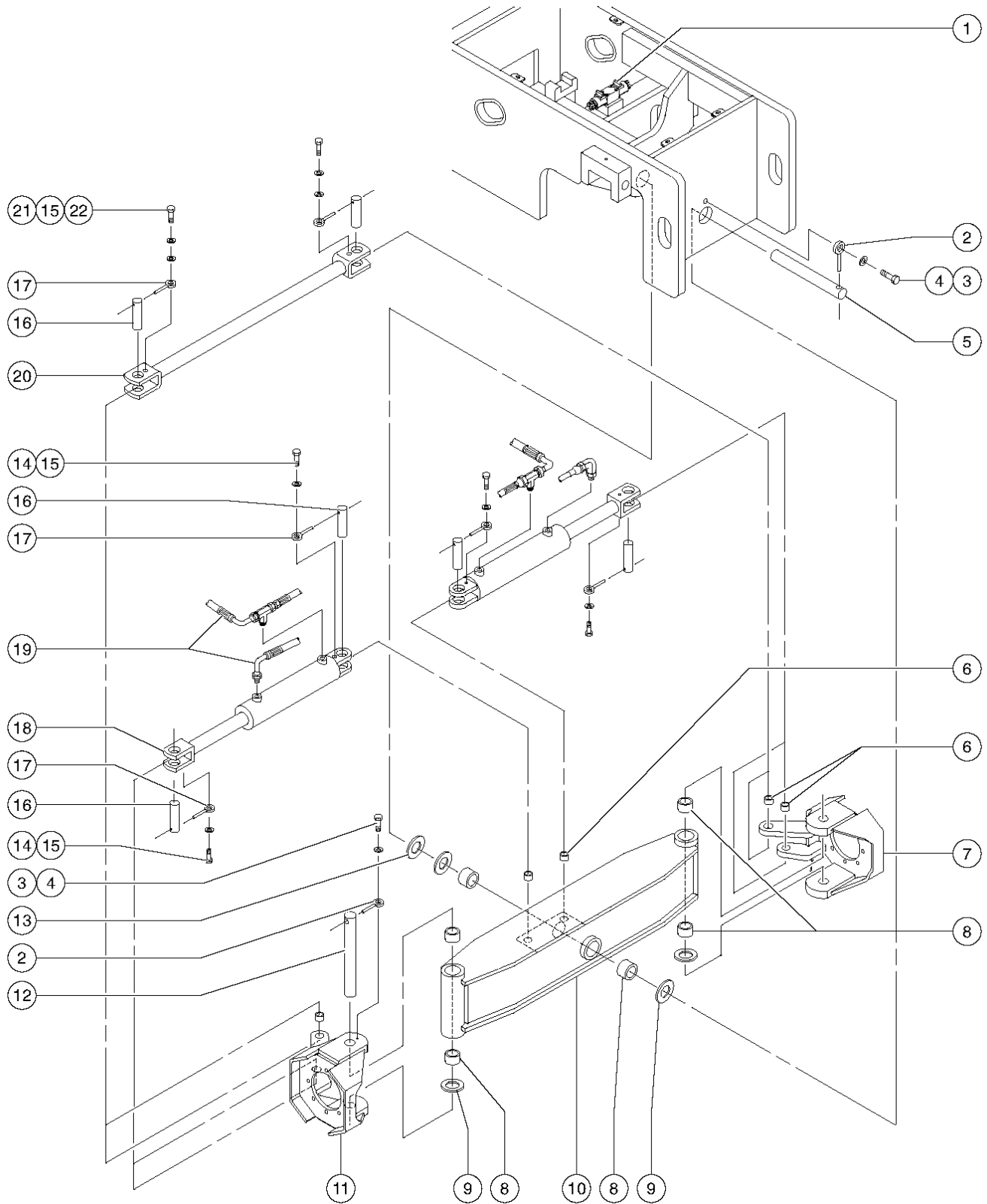
101.1 Decals



101.1 Decals

Item	Part No.	Description	Qty.	Item	Part No.	Description	Qty.
--	46229GT	DECAL KIT,INSTRUCT,Z-60 DIESEL <i>Deutz Models; kit does not include index numbers 7, 12, 13, 14, 19, 20, 22, 28, 29, 31 through 34 and 37</i>		21	27564GT	DECAL,DANGER,ELEC.HAZ.STAY CLR.....	2
--	65465GT	DECAL KIT/SFTY-INSTRUCTZ60IC <i>Ford Models; kit does not include index numbers 7, 12, 13, 14, 19, 20, 22, 28, 29, 31, through 34 and 37</i>		22	35599GT	DECAL,NOTICE,AIR INLET***.....	1
1	43647GT	DECAL,NOTICE,OPER INST.IC***.....	2	23	28161GT	DECAL,WARN,CRUSH HAZARD HAND.....	3
2	97890GT	DECAL,DANGER,GEN SAFETY RULES.....	2	24	33986GT	DECAL,NOTICE,DEUTZ ENG SPEC.....	1
3	49928GT	DECAL,GND CONT PNL,Z60..... <i>to SN 2601</i>	1	--	49741GT	DECAL,NOTICE,FORD EFI ENG SPEC.....	1
--	72161GT	DECAL,GND CONT PNL,Z60..... <i>from SN 2602</i>	1	25	30082GT	DECAL,NOTICE TIRE PRESSURE.....	4
4	43663GT	DECAL,NOTICE, FUNCTION ENABLE*.....	1	26	28175GT	DECAL,WARNING-COMPART ACCESS.....	1
5	77046GT	SERIAL # LABEL,MYLAR 4X8***..... <i>from SN 3177</i>	1	27	28164GT	DECAL,NOTICE,HAZARDOUS MAT'LS*.....	1
--	77183GT	FILM,POLY,CLEAR,4.5 X 8.75.....	1	28	28235GT	DECAL,POWER TO PLATFORM 115V...1	
6	31060GT	DECAL,DANGER DO NOT ALTER SWTC.....	2	--	28174GT	DECAL, POWER TO PLATFORM 230V**.....	1
7	31059GT	DECAL,WARNING COLLISION HAZARD.....	2	29	52965GT	DECAL,COSMETIC,GENIE Z-60/34.....	1
8	28177GT	DECAL,WARN,CRUSH HAZARD PLAT.....	2	30	28181GT	DECAL,WARN,FALL HAZARD.....	1
9	40434GT	DECAL,LANYARD ANCHORAGE POINT.....	3	31	52966GT	DECAL,COSMETIC,4 X 2.....	1
10	52230GT	DECAL,PLATFORM CTRL PANEL***..... <i>to SN 2601</i>	1	--	52967GT	DECAL,COSMETIC,4 X 4.....	1
--	52251GT	DECAL,PROTECTOR,CLEAR,PLATE***.1		32	27205GT	DECAL,ARROW YELLOW LRG 9".....	1
--	72441GT	DECAL,PLATFORM CONTROL PANEL**..... <i>from SN 2602</i>	1	33	27206GT	DECAL,TRIANGLE,BLUE.....	2
11	33952GT	DECAL,DANGER,TILT ALARM.....	1	34	27207GT	DECAL,TRIANGLE,YELLOW.....	2
12	44769GT	DECAL,LABEL,LFT/DRV SELECT.....	1	35	28178GT	DECAL,WARN,SHEAR TURNTABLE....2	
13	32726GT	DECAL,OPTION GLOW PLUGS***..... <i>Deutz Models</i>	1	36	27204GT	DECAL,ARROW BLUE.....	1
14	133518GT	DECAL, PATCH, GEN,ALC-500.....	1	37	52969GT	DECAL,COSMETIC,GENIE BOOM,HORZ.....	1
15	28236GT	DECAL,WARN,IMPROPER OPERATION.....	1	38	28160GT	DECAL,LABEL,LIQUID PROPANE..... <i>Ford Models</i>	1
16	28176GT	DECAL,LABEL,MANUAL NOT HERE....1		39	28157GT	DECAL,USE DEXRON***.....	1
17	30080GT	DECAL,NOTICE,MAX LOAD 500 LBS....1		40	28158GT	DECAL,LABEL,UNLEADED GAS ONLY..... <i>Ford Models</i>	2
18	28165GT	DECAL,INSTRUCT,FOOTSWITCH OPER.....	119	--	28159GT	DECAL,DIESEL..... <i>Deutz Models</i>	2
19	44981GT	DECAL,LABEL, AIR LINE 110 PSI.....	2	41	28171GT	DECAL,DANGER,NO SMOKING ***.....	1
20	97887GT	DECAL,INSTR,MAX SIDE FRC,ANSI....1 <i>ANSI and CSA Models</i>		42	25994GT	DECAL,NOTICE,SHUTOFF VALVES.....	1
--	44986GT	DECAL,INSTR,SIDE FRC/WIND,AUS....1 <i>CE Models</i>					

201.1 2WD Steer Axle Linkage, Non-oscillating Models



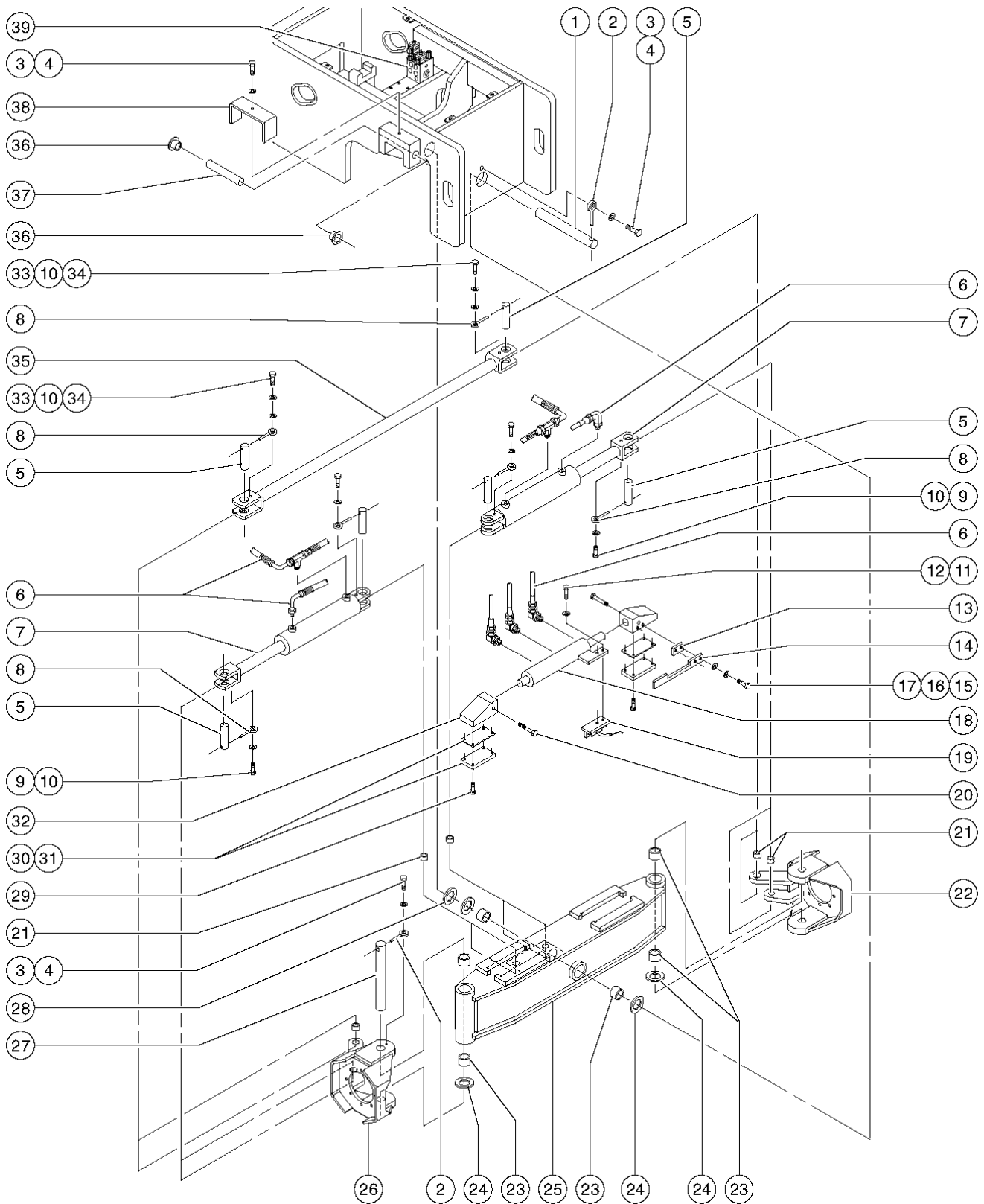
201.1 2WD Steer Axle Linkage, Non-oscillating Models

Item	Part No.	Description	Qty.
1		Ref. Steer Manifold, 2WD (refer to Figure 204.1)	
2	1256267GT	ROD END,.5 X 3.75,ZAG.....	3
3	10597GT	SCREW,HHC,1/2-13 X 1.25 GR5.....	3
4	6033GT	WASHER,LOCK,0.5".....	3
5	36370GT	PIN,2.50DIAX15.00LG,1HOLE.....	1
6	53451GT	BEARING,1.00"ID X 1.40"OD X 1".....	6
7	46966GT	YOKE ASSY 2/4WD,L.S.,Z60..... <i>includes 2 each index number 6</i>	1
8	27698GT	BEARING,2.50IDX2.75ODX2.00L.....	6
9	25436GT	WASHER,THRUST,2.56 X 4.0 X.18.....	1
10	46965GT	NON-OSCILAT'G AXLE Z60/1997..... <i>includes index numbers 8 and 10</i>	1
11	46967GT	YOKE ASSY 2/4WD,R.S.,Z60..... <i>includes index number 6</i>	1
12	44086GT	PIN,2.50DIAX15.75LG,1HOLE.....	1
13	29746GT	WASHER,FLAT,2.5 X 4 X .062..... 1	4
14	49857GT	SCREW,HHC,3/8-16 X .88,GRD 8.....	4
15	6021GT	WASHER,LOCK,.375.....	6
16	25419GT	PIN,STEER.....	6
--	30734GT	PIN,1.00DIAX2.88LG,1HOLE.....	6
17	1255452GT	ROD END,.375 X 2.25,ZAG.....	6
18	59188GT	CYLINDER,STEERING,Z60***.....	2
--	59050GT	SEAL KIT,2.5" BORE,1.5" ROD***	
--	59069GT	PISTON COMPLETE W/ SEALS	
--	5923GT	PISTON SEAL ONLY	
19		Ref. Hydraulic Hoses and Fittings (refer to Figure 207.1).....	2
20	58101GT	TIE ROD ENHANCEMENT KIT..... <i>to SN 1970</i>	1
--	63194GT	TIE ROD WELD, SERVICE..... <i>from SN 1971</i>	1
21	6175GT	SCREW,HHC,3/8-16 X 1.....	2
22	5397GT	WASHER,FLAT,USS,5/16",Y.....	2

Footnotes

1: Quantity listed for this item is approximate. Actual quantity may vary to ensure proper fit.

202.1 2WD Steer Axle Linkage, Oscillating Models



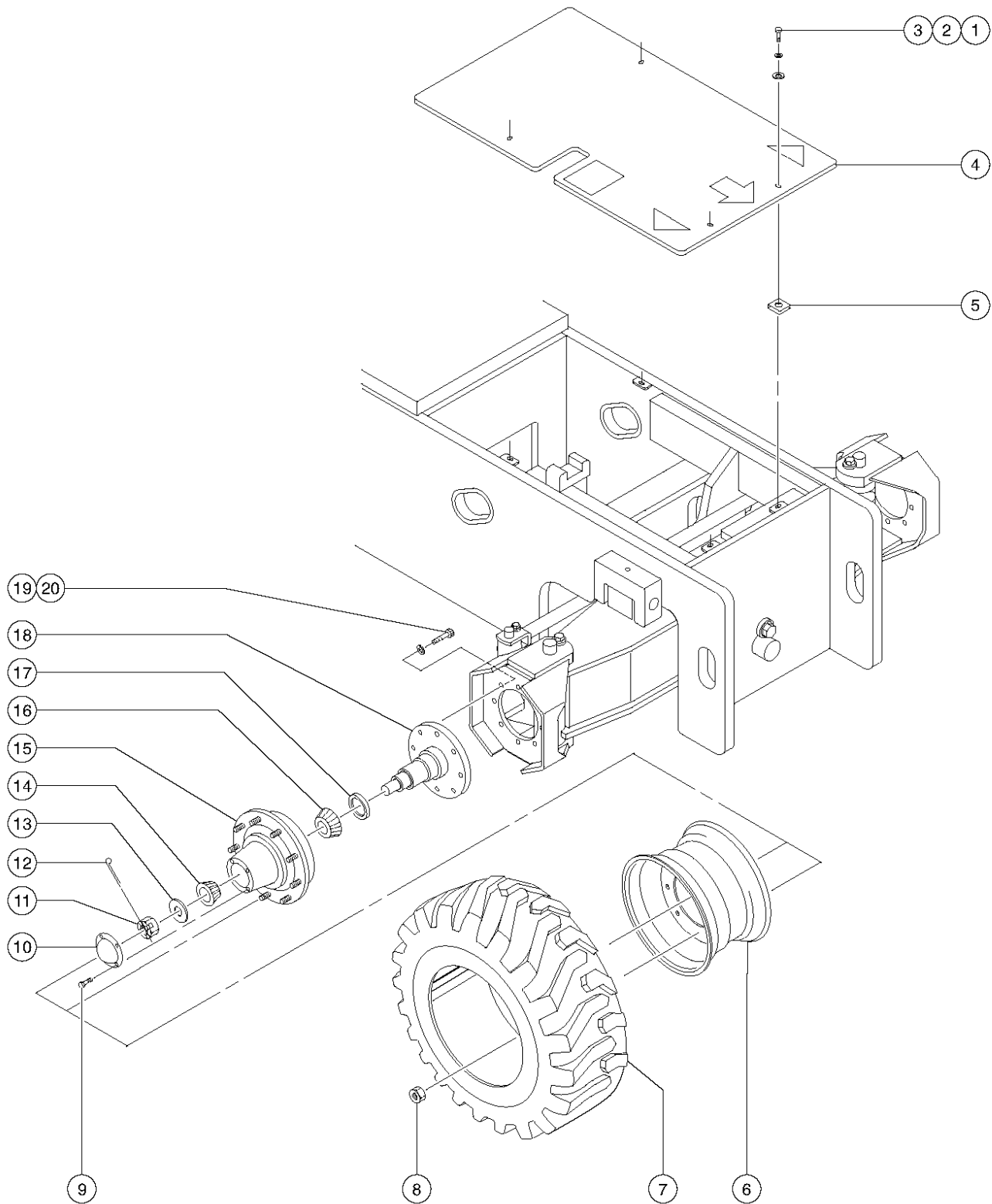
202.1 2WD Steer Axle Linkage, Oscillating Models

Item	Part No.	Description	Qty.	Item	Part No.	Description	Qty.
1	36370GT	PIN,2.50DIAX15.00LG,1HOLE.....	1	31	31547GT	SHIM,OSCILLATING AXLE.....	2
2	1256267GT	ROD END,.5 X 3.75,ZAG.....	3	1			
3	10597GT	SCREW,HHC,1/2-13 X 1.25 GR5.....	5	32	25404P-SGT	OSCILLATING AXLE WEDGE BLOCK....	2
4	6033GT	WASHER,LOCK,0.5".....	5	33	6175GT	SCREW,HHC,3/8-16 X 1.....	2
5	25419GT	PIN,STEER.....	6	34	5397GT	WASHER,FLAT,USS,5/16",Y.....	2
--	30734GT	PIN,1.00DIAX2.88LG,1HOLE.....	6	35	29210GT	TIE ROD, WELD. S60.....	1
6		Ref. Hydraulic Hoses and Fittings (refer to Figure 208.1).....	6	to SN 1642			
7	59188GT	CYLINDER,STEERING,Z60***.....	2	--	63194GT	TIE ROD WELD, SERVICE.....	1
--	59050GT	SEAL KIT,2.5" BORE,1.5" ROD***		from SN 1971			
--	59069GT	PISTON COMPLETE W/ SEALS		36	27695GT	BEARING,FL,1.75IDX1.94ODX1.50L....	4
--	59328GT	PISTON SEAL ONLY		37	25769GT	PIN,OSCILLATING,ROLLR,8 X 1.75.....	2
8	1255452GT	ROD END,.375 X 2.25,ZAG.....	6	38	27656P-SGT	RETAINER,AXLE ROLLER PIN,PAINT....	2
9	49857GT	SCREW,HHC,3/8-16 X .88,GRD 8.....	4	39		Ref. Manifold - Steer/Oscillating (refer to Figure 204.1).....	2
10	6021GT	WASHER,LOCK,.375.....	6				
11	45645GT	SCREW,RHM,8-32 X .75.....	2				
12	6607GT	WASHER,LOCK,#10 PLTD.....	2				
13	29855PGT	BRACKET,PUSH ROD SWITCH,PAINT....	1				
14	31266GT	ACTUATOR ASSY,PROX.SWITCH.....	1				
--	29261GT	MAGNET,NEODYMIUM,.375 X .100.....	1				
15	7339GT	SCREW,HHC,1/4-20 X .5.....	2				
16	6356GT	WASHER,LOCK,.25.....	2				
17	6638GT	WASHER,FLAT,USS,1/4"Y.....	2				
18	63216GT	CYLINDER, OSCILLATING AXLE.....	1				
--	63356GT	SEAL KIT CYL.S/Z60(63216).....	1				
19	65441-SGT	PROX SWITCH ASSY-Z60.....	1				
20	8357GT	SCREW,HHC,1/2-13 X 3.5.....	2				
21	27694GT	BEARING,1.25 ID X 1.41 OD X 1".....	6				
--	53451GT	BEARING,1.00"ID X 1.40"OD X 1".....	6				
22	46966GT	YOKE ASSY 2/4WD,L.S.,Z60.....	6				
		includes 2 each index number 21					
23	27698GT	BEARING,2.50IDX2.75ODX2.00L.....	6				
24	25436GT	WASHER,THRUST,2.56 X 4.0 X .18.....	3				
25	29212GT	FRONT AXLE ASSY,S60,Z60.....	1				
		includes index numbers 21 and 23					
26	46967GT	YOKE ASSY 2/4WD,R.S.,Z60.....	1				
		includes 2 each index number 21					
27	44086GT	PIN,2.50DIAX15.75LG,1HOLE.....	2				
28	29746GT	WASHER,FLAT,2.5 X 4 X .062.....	4				
		1					
29	16439GT	SCREW,FHS,3/8-16 X 1.....	8				
30	25416GT	WEAR PAD,OSCILLATING AXLE, S60....	2				

Footnotes

1: Quantity listed for this item is approximate. Actual quantity may vary to ensure proper fit.

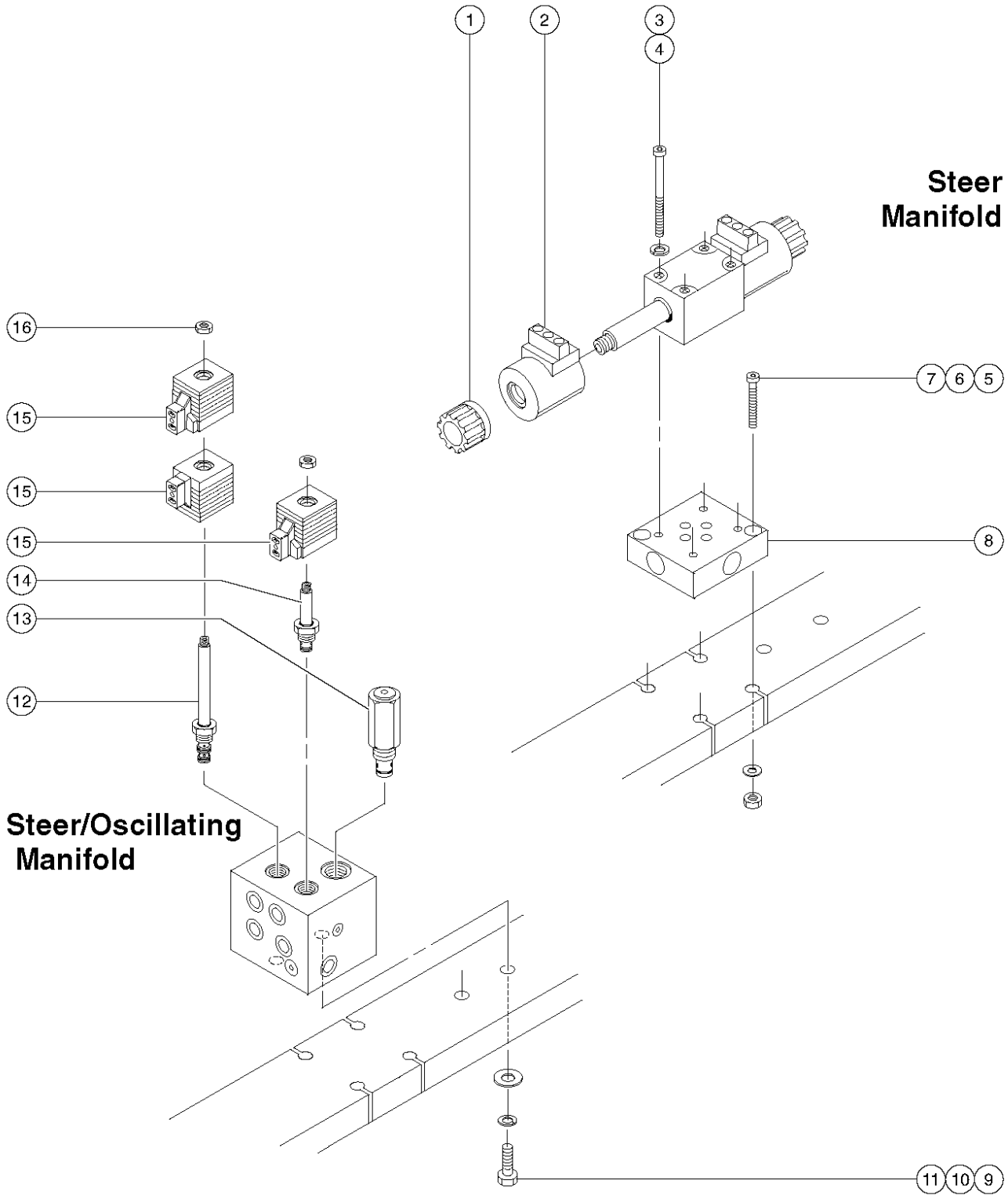
203.1 2WD Steer Axle - Wheels and Hubs



203.1 2WD Steer Axle - Wheels and Hubs

Item	Part No.	Description	Qty.
1	6090GT	SCREW,HHC,1/4-20 X .75.....	4
2	6356GT	WASHER,LOCK,.25.....	4
3	6638GT	WASHER,FLAT,USS,1/4"Y.....	4
4	31088GT	COVER ASSY,DRIVE CHASSIS,STEER.....	1
5	56912GT	SPRING CLIP,1/4-20,.025-.15X.54,ZAG.....	4
6	73259GT	WHEEL,19.5 X 11.75***.....	2
7	73185GT	TIRE,38/65D-19.5,16PLY,OTR*.....	2
--	73257GT	TIRE & WHEEL ASSY: AIR..... <i>left side</i>	2
--	73258GT	TIRE & WHEEL ASSY: AIR..... <i>right side</i>	2
--	73260GT	TIRE & WHEEL ASSY,FOAM***..... <i>left side</i>	2
--	73261GT	TIRE & WHEEL ASSY,FOAM***..... <i>right side</i>	2
8	54627GT	NUT,LUG,5/8-18 X 90 DEGREE,Z45.....	18
9	13002GT	SCREW,HHC,5/16-18 X 1 GR5.....	8
10	53985GT	CAP, DUST.....	2
11	53989GT	NUT,CASTLE, 1-1/4 - 12 UNF.....	2
12	53990GT	PIN, COTTER, 732 DIA.....	2
13	53988GT	WASHER, PLATE.....	2
14	53987GT	OUTER BEARING.....	2
15		Contact service department.....	2
--	53993GT	KIT,BEARING, Z60	
--	53994GT	STUD, HUB, 5/8-18 X 2 1/2.....	2
16	53986GT	INNER BEARING.....	2
17	53991GT	SEAL, GREASE.....	2
18	29891-SGT	SPINDLE WELDMENT.....	2
19	45066GT	SCREW,SHC,5/8-11 X 2.25.....	16
20	13064GT	WASHER,FLAT,.625 HARDENED.....	16

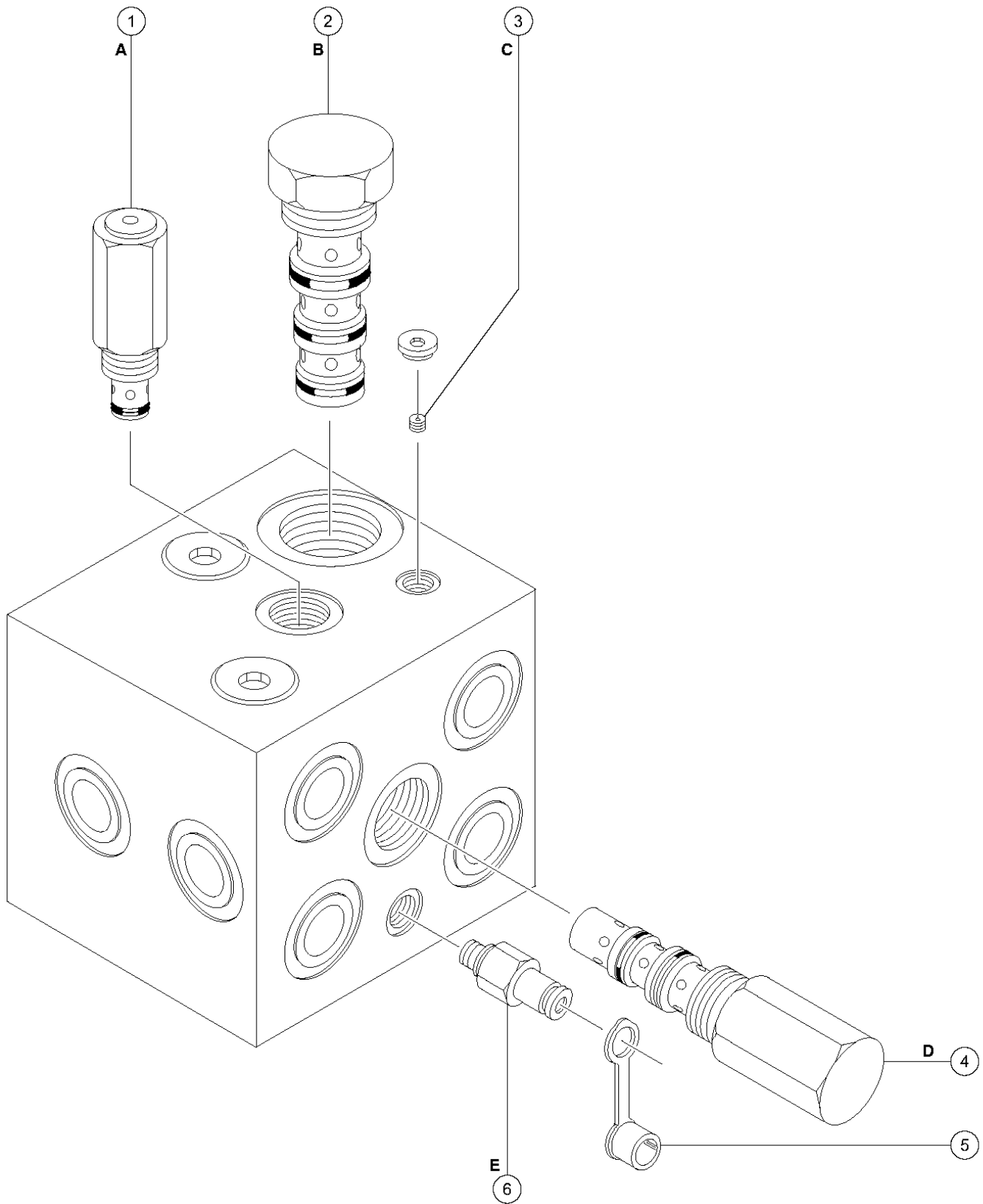
204.1 2WD Steer Manifold and Steer/Oscillating Manifold



204.1 2WD Steer Manifold and Steer/Oscillating Manifold

Item	Part No.	Description	Qty.
--	146160GT	VALVE KIT,D03 <i>includes index numbers 1 and 2</i>	
--	28750GT	O-RING KIT,FIELD SVC,ALL PROD*	
--	32636GT	MANIFOLD,STEER/OSCILLATION*** <i>includes index numbers 12-16</i>	
--	49612GT	O-RING KIT (ORFS FITTINGS)	
--	49613GT	PLUG AND CAP KIT-SERVICE,ORFS*	
1	48649GT	NUT-D03 COIL.....	2
2	223763GT	COIL WITH DE CONNECTOR..... <i>replaced 233763</i>	2
3	43255GT	SCREW,SHC,10-24 X 2.....	4
4	6607GT	WASHER,LOCK,#10 PLTD.....	4
5	30444GT	SCREW,SHC,1/4-20 X 2.....	2
6	6638GT	WASHER,FLAT,USS,1/4"Y.....	2
7	6091GT	NUT,NYLOCK,1/4-20.....	2
8	24675GT	SUB PLATE (SPOOL VALVE).....	1
9	6175GT	SCREW,HHC,3/8-16 X 1.....	2
10	6021GT	WASHER,LOCK,.375.....	2
11	5397GT	WASHER,FLAT,USS,5/16",Y.....	2
12	48684GT	VALVE, SOLENOID, 10V.....	1
13	65443GT	VALVE-RELIEF, 250 PSI (32636).....	1
14	52034GT	VALVE,SOLENOID,2 POS-4 WAY-10V....	1
15	29744GT	COIL,10V.....	3
16	52943GT	NUT,SOLENOID VALVE COIL.....	2

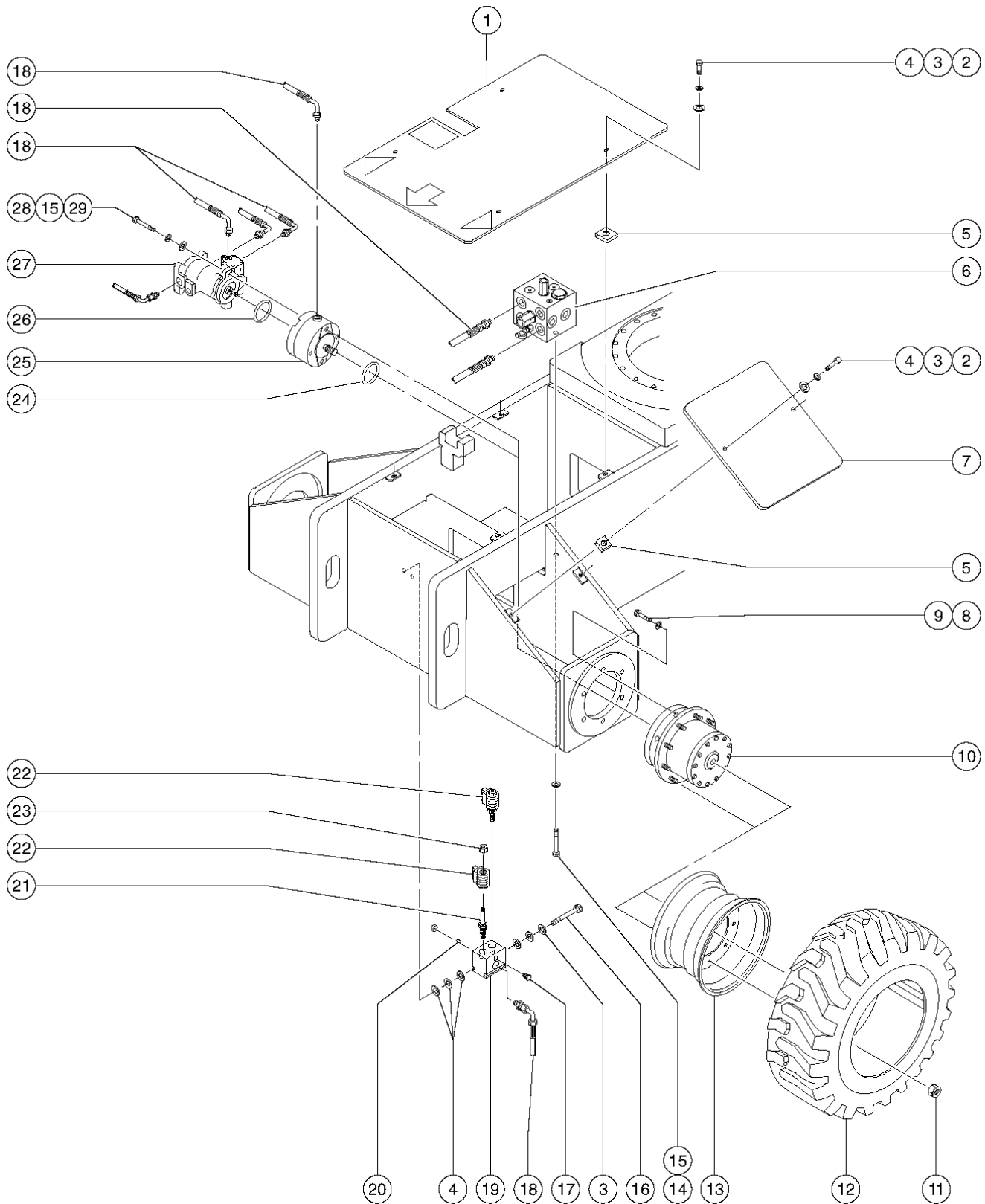
205.1 2WD Drive Manifold



205.1 2WD Drive Manifold

Item	Part No.	Description	Qty.
A		Relief Valve <i>Charge Pressure Circuit</i>	
B		Flow Divider/Combiner Valve <i>Controls Flow to Drive Motors in Forward and Reverse</i>	
C		Orifice - Plug, 0.070 inch (1.38 cm) <i>Drive Circuit</i>	
D		Valve - Shuttle, 3 position 3 way <i>Charge Pressure, Hot Oil Shuttle</i>	
E		Diagnostic Fitting <i>Testing</i>	
--	28750GT	O-RING KIT,FIELD SVC,ALL PROD*	
--	34448GT	TRACTION MANIFOLD,2WD*** <i>includes index numbers 1 through 4</i>	
--	49612GT	O-RING KIT (ORFS FITTINGS)	
--	49613GT	PLUG AND CAP KIT-SERVICE,ORFS*	
1	43597GT	VALVE,RELIEF,210 PSI.....	1
--	110194GT	SEAL KIT, VALVE, #10.....	1
2	52726GT	VALVE,FLOW DIVIDER/COMBINER.....	1
--	84135GT	SEAL KIT, VALVE.....	1
3	33520GT	PLUG,ORIFICE,0.070.....	1
--	84134GT	SEAL KIT, VALVE.....	1
4	27761GT	VALVE,SHUTTLE.....	1
--	84134GT	SEAL KIT, VALVE.....	1
5	48880GT	CAP,DIAGNOSTIC NIPPLE.....	1
6	48997GT	NIPPLE,DIAGNOSTIC,#4.....	1
--	20224GT	DIAGNOSTIC FEMALE Q-DSCNT.....	1

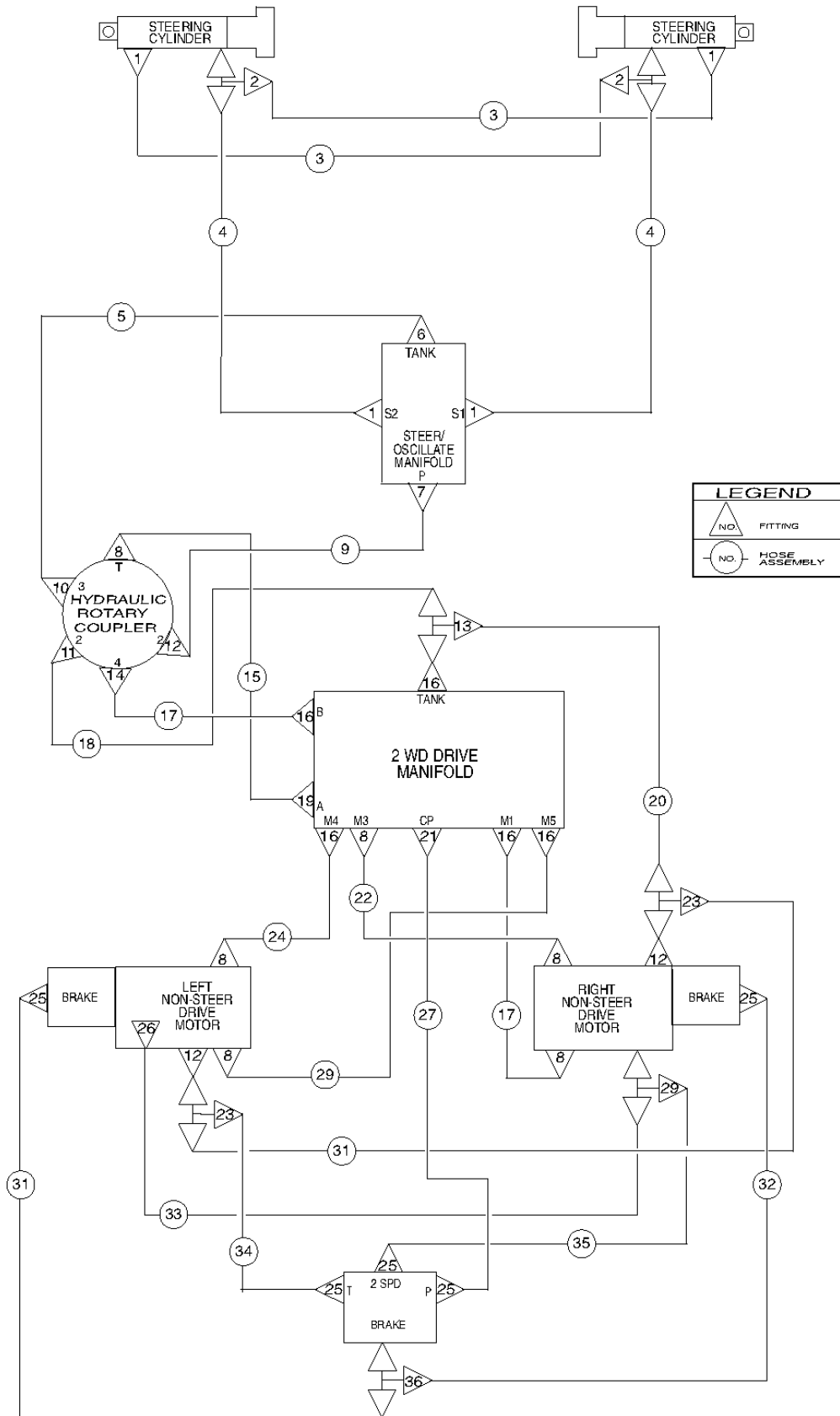
206.1 2WD Non-steer Axle



206.1 2WD Non-steer Axle

Item	Part No.	Description	Qty.	Item	Part No.	Description	Qty.
1	31089GT	COVER ASSY, CHASSIS,DRIVE.....	1	21	65766GT	VALVE,SOLENOID,10V W/DIODE***.....	2
2	6090GT	SCREW,HHC,1/4-20 X .75.....	8			<i>includes index numbers 22 and 23</i>	
3	6356GT	WASHER,LOCK,.25.....	10	--	72043GT	SEAL KIT,SOLENOID VALVE.....	2
4	6638GT	WASHER,FLAT,USS,1/4"Y.....	18	22	43601GT	COIL,SOLENOID VLV,10V W/ DIODE.....	2
5	56912GT	SPRING CLIP,1/4-20,.025-.15X.54,ZAG.....	8	23	52943GT	NUT,SOLENOID VALVE COIL.....	2
6	34448GT	TRACTION MANIFOLD,2WD***.....	8	24	52087GT	O-RING,2-044 BUNA***.....	2
7	30302P-SGT	COVER,DRIVE CHASSIS,AXLE,PAINT.....	2	25	41914GT	BRAKE,MICO,1400 IN.LBS. **.....	2
8	45495GT	SCREW,SHC,5/8-11 X 3.00,A574.....	12	--	41918GT	LINING KIT,MICO BRAKE.....	2
9	42191GT	WASHER,FLAT,.640X1.160X.09.....	12	--	41921GT	SEAL KIT,BRAKE,MICO.....	2
10	29231GT	TORQUE HUB,49:1.....	2	--	41922GT	BEARING KIT,BRAKE,MICO.....	2
--	21144GT	CAP,DISENGAGE-45553 TORQUE HUB.....	2	26	22811GT	O-RING,MOTOR TO BRAKE***.....	2
--	21145GT	DISCONNECT ROD-45553 TQ.HUB.....	2	27	29280GT	DRIVE MOTOR REAR,2WD/11 DEGREE.....	2
--	21146GT	COVER CAP,TORQUE HUB***.....	2			<i>to SN 3020</i>	
--	21149GT	LUG,WHEEL STUD,5/8-18,W1/4HB**.....	2	--	29739GT	SEAL KIT,SAUER-DANFOSS M46***.....	2
--	226099GT	THRUST WASHER (29231)				<i>to SN 3020</i>	
--	226100GT	BEARING NUT (29231)		--	53887GT	DRIVE MOTOR REAR,2WD/11 DEGREE.....	2
--	29288GT	SEAL KIT,FAIRFIELD,W2B2.....	2			<i>from SN 3021</i>	
--	65445GT	BEARING & RACE KIT(29231)/Z60.....	2	--	65865GT	SEAL KIT, SUNSTRAND.....	2
--	65446GT	COVER - END,TORQUE HUB (29231)....	2			<i>from SN 3021</i>	
--	65447GT	O-RING - TORQUE HUB END COVER...2		28	22786GT	SCREW,HHC,1/2-13 X 5.5.....	4
--	65448GT	WASHER,THRUST-TORQUE HUB-29231.....	2	29	13066GT	WASHER,FLAT,.5 HARDENED.....	4
11	54627GT	NUT,LUG,5/8-18 X 90 DEGREE,Z45.....	18				
12	73185GT	TIRE,38/65D-19.5,16PLY,OTR*.....	2				
--	73257GT	TIRE & WHEEL ASSY: AIR.....	2				
		<i>left side</i>					
--	73258GT	TIRE & WHEEL ASSY: AIR.....	2				
		<i>right side</i>					
--	73260GT	TIRE & WHEEL ASSY,FOAM***.....	2				
		<i>left side</i>					
--	73261GT	TIRE & WHEEL ASSY,FOAM***.....	2				
		<i>right side</i>					
13	73259GT	WHEEL,19.5 X 11.75***.....	2				
14	10597GT	SCREW,HHC,1/2-13 X 1.25 GR5.....	2				
15	6033GT	WASHER,LOCK,0.5".....	6				
16	42571GT	SCREW,HHC,1/4-20 X 3.25.....	2				
17	43599GT	VALVE,CHECK.....	1				
--	110200GT	SEAL KIT, VALVE, #4					
18		Ref. Hydraulic Hoses and Fittings (refer to Figure 207.1 or 208.1).....	1				
19	42157GT	MANIFOLD,BRAKE/MOTOR SHIFT.....	1				
		<i>includes index numbers 17 and 20-23</i>					
20	32669GT	ORIFICE PLUG,.025 (30551).....	1				

207.1 2WD Hydraulic Hoses and Fittings - Non Oscillating Axle



207.1 2WD Hydraulic Hoses and Fittings - Non Oscillating Axle

Item	Part No.	Description	Qty.	Item	Part No.	Description	Qty.
--	49612GT	O-RING KIT (ORFS FITTINGS)		25	48904GT	ELBOW,90D,520220-4-4.....	3
--	49613GT	PLUG AND CAP KIT-SERVICE,ORFS*		26	48911GT	ELBOW,90D,520220-4-6***.....	1
1	48915GT	ELBOW,90D,520220-6.....	4	27	49118-2368 SGT	HOSE ASSEMBLY,1/4.....	1
2	48919GT	TEE,BRANCH,520429-6.....	2			9	
3	49128-2709GT	HOSE ASSEMBLY,3/8.....	2	28	49156-3331 SGT	HOSE ASSY,3/4,90 FEM,STR FEM.....	1
		1				9	
4	49130-2957GT	HOSE ASSEMBLY,3/8.....	2	29	49156-4006 SGT	HOSE ASSY,3/4,90 FEM,STR FEM.....	1
		2				9	
5	49135-4664GT	HOSE ASSEMBLY,3/8.....	1	30	48918GT	TEE,RUN,520428-6.....	1
		3		31	49143-4029 SGT	HOSE ASSY,1/2,90 FEM,STR FEM.....	1
6	48942GT	ELBOW,90D,520220-8-6.....	1			10	
7	48916GT	CONN, 520120-6.....	5	32	49119-3028 SGT	HOSE ASSY,1/4,STR FEM,STR FEM.....	1
8	48977GT	CONN,520120-12-16.....	4			11	
		<i>to SN 3020</i>		33	49119-2978 SGT	HOSE ASSY 1/4,STR FEM,STR FEM.....	1
--	48960GT	FITTING,CONN,520120-12***.....	4			11	
		<i>from SN 3021</i>		34	49120-3581 SGT	HOSE ASSY(2SPD TO L.R.DRV MOTR.....	1
9	49167-3029GT	HOSE ASSEMBLY,1/2.....	1			12	
		4		35	49164-1943 SGT	HOSE ASSEMBLY,1/4.....	1
10	48929GT	FITTING,ELBOW,90D,520220-6-8.....	2			13	
11	48959GT	FITTING,ELBOW,90D,520220-12.....	1	36	49118-2858 SGT	HOSE ASSEMBLY,1/4.....	1
12	48947GT	ELBOW,90D,520220-8-12.....	3			13	
13	48964GT	FITTING,TEE,RUN,SWIVEL52043212....	1	37	48908GT	FITTING,TEE,RUN,SWIVEL520432-4.....	1
14	48963GT	FITTING,ELBOW,45D,520320-12***.....	1				
15	49156-4006 SGT	HOSE ASSY,3/4,90 FEM,STR FEM.....	1				
		5					
16	48960GT	FITTING,CONN,520120-12***.....	14				
		<i>to SN 3020</i>					
--	48977GT	CONN,520120-12-16.....	14				
		<i>from SN 3021</i>					
17	49156-3056 SGT	HOSE ASSY,3/4,90 FEM,STR FEM.....	1				
		5					
18	49151-2323 SGT	HOSE ASSY,3/4,STR FEM,STR FEM.....	1				
		6					
19	48959GT	FITTING,ELBOW,90D,520220-12.....	2				
20	48905GT	CONN,520120-4***.....	3				
21	49142-4087 SGT	HOSE ASSEMBLY,1/2".....	1				
		7					
22	49156-2975 SGT	HOSE ASSY,3/4,90 FEM,STR FEM.....	1				
		7					
23	48938GT	FITTING,TEE,RUN,SWIVEL520432-8.....	2				
24	49156-2656 SGT	HOSE ASSY,3/4,90 FEM,STR FEM.....	1				
		7					
		<i>to SN 3020</i>					
--	49157-2410SGT	HOSE ASSY,3/4".....	1				
		8					
		<i>from SN 3021</i>					

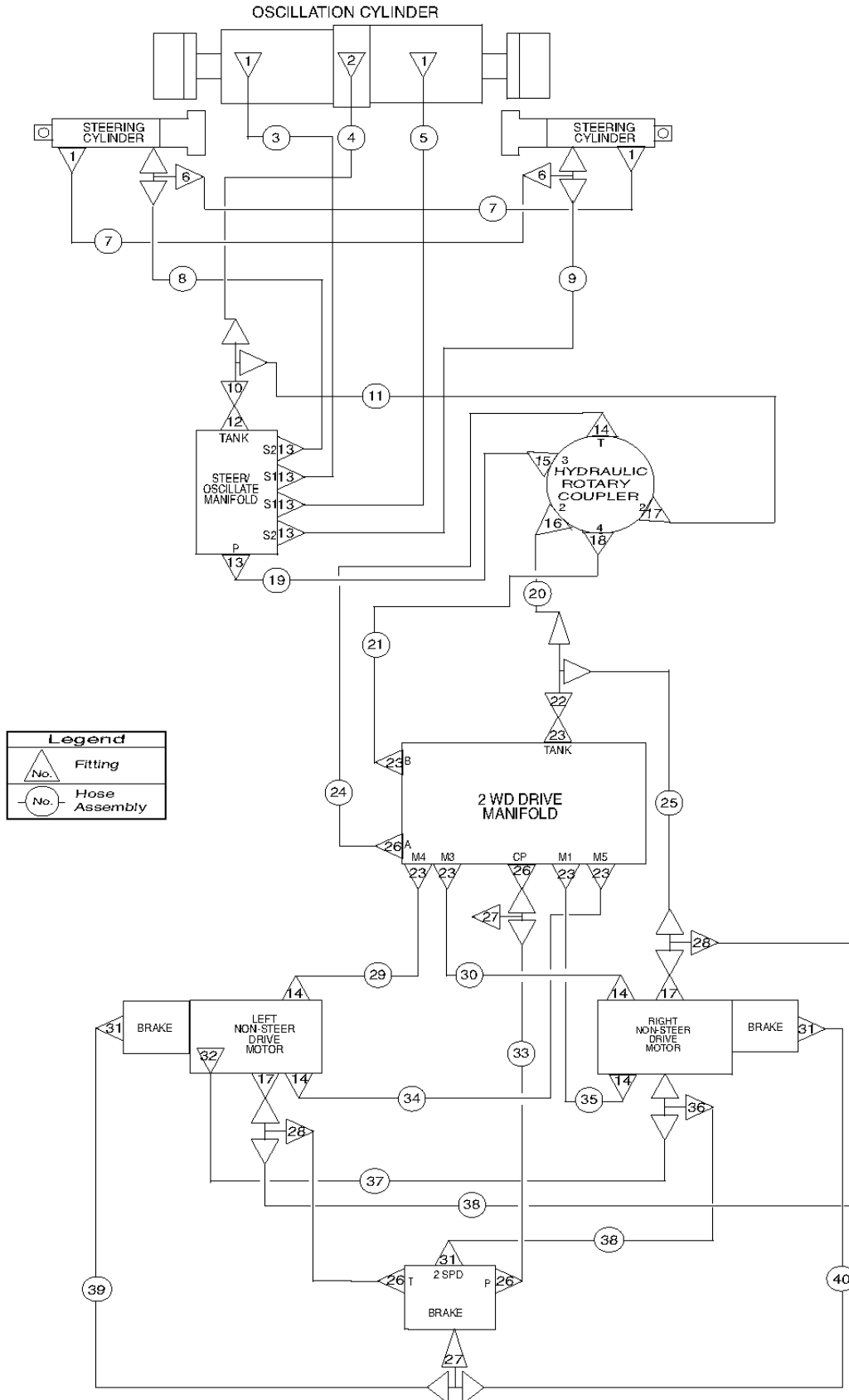
207.1 2WD Hydraulic Hoses and Fittings - Non Oscillating Axle
(continued)

Item	Part No.	Description	Qty.	Item	Part No.	Description	Qty.
------	----------	-------------	------	------	----------	-------------	------

207.1 2WD Hydraulic Hoses and Fittings - Non Oscillating Axle

Item	Part No.	Description	Qty.	Item	Part No.	Description	Qty.
Footnotes							
		1: Hose End - Female, Swivel, 90°, ORFS (Parker No. 1J943-6), Hose End - Female, Swivel, ORFS (Parker No. 1JC43-6) and Hose, 3/8 inch (Parker No. 451TC-6)				11: Hose End - Female, Swivel, ORFS (Parker No. 1JC43-4), Hose End - Female, Swivel, ORFS (Parker No. 1JC43-4) and Hose, 1/4 inch (Parker No. 451TC-4)	
		2: Hose End - Female, Swivel, ORFS (Parker No. 1JC43-6), Hose End - Female, Swivel, ORFS (Parker No. 1JC43-6) and Hose, 3/8 inch (Parker No. 451TC-6)				12: Hose End - Female, Swivel, ORFS (Parker No. 1JC43-6-4), Hose End - Female, Swivel, ORFS (Parker No. 1JC43-4) and Hose, 1/2 inch (Parker No. 481-8)	
		3: Hose End - Female, Swivel, ORFS (Parker No. 1JC43-8-6), Hose End - Female, Swivel, ORFS (Parker No. 1JC43-6) and Hose, 3/8 inch (Parker No. 451TC-6)				13: Hose End - Female, Swivel, ORFS (Parker No. 1JC43-6-4), Hose End - Female, Swivel, 90°, ORFS (Parker No. 1J943-4) and Hose, 1/4 inch (Parker No. 451TC-4)	
		4: Hose End - Female, Swivel, 90°, ORFS (Parker No. 1J943-8), Hose End - Female, Swivel, ORFS (Parker No. 1JC43-8) and Hose, 1/2 inch (Parker No. 481-8)					
		5: Hose End - Female, Swivel, 90°, ORFS (Parker No. 1J971-12), Hose End - Female, Swivel, ORFS (Parker No. 1JC71-12) and Hose, 3/4 inch (Parker No. 772-12)					
		6: Hose End - Female, Swivel, ORFS (Parker No. 1JC43-12), Hose End - Female, Swivel, ORFS (Parker No. 1JC43-12) and Hose, 3/4 inch (Parker No. 481-12)					
		7: Hose End - Female, Swivel, 90°, ORFS (Parker No. 1J943-12-8), Hose End - Female, Swivel, ORFS (Parker No. 1JC43-8) and Hose, 1/2 inch (Parker No. 451TC-8)					
		8: Hose End - Female, Swivel, ORFS (Parker No. 1JC71-12), Hose End - Female, Swivel, ORFS (Parker No. 1JC71-12) and Hose, 3/4 inch (Parker No. 772-12)					
		9: Hose End - Female, Swivel, 90°, ORFS (Parker No. 1J943-6-4), Hose End - Female, Swivel, ORFS (Parker No. 1JC43-4) and Hose, 1/4 inch (Parker No. 451TC-4)					
		10: Hose End - Female, Swivel, 90°, ORFS (Parker No. 1J943-8), Hose End - Female, Swivel, ORFS (Parker No. 1JC43-8) and Hose, 1/2 inch (Parker No. 451TC-8)					

208.1 2WD Hydraulic Hoses and Fitting - Oscillating Models



208.1 2WD Hydraulic Hoses and Fitting - Oscillating Models

Item	Part No.	Description	Qty.	Item	Part No.	Description	Qty.
--	49612GT	O-RING KIT (ORFS FITTINGS)		24	491564506 SGT	HOSE ASSY,3/4,90 FEM,STR FEM.....1 8	1
--	49613GT	PLUG AND CAP KIT-SERVICE,ORFS*		25	491424087 SGT	HOSE ASSEMBLY,1/2".....1 9	1
1	48915GT	ELBOW,90D,520220-6.....	4	26	48905GT	CONN,520120-4***.....	3
2	48942GT	ELBOW,90D,520220-8-6.....	1	27	48908GT	FITTING,TEE,RUN,SWIVEL520432-4.....	1
3	491262158 SGT	HOSE ASSY,3/8,45 FEM,STR FEM.....1 1	1	28	48938GT	FITTING,TEE,RUN,SWIVEL520432-8.....	2
4	491053682 SGT	HOSE ASSEMBLY,3/8.....1 2	1	29	491562656 SGT	HOSE ASSY,3/4,90 FEM,STR FEM.....1 10 to SN 3020	1
5	491262383 SGT	HOSE ASSY,3/8,45 FEM,STR FEM.....1 2	1	--	491572410 SGT	HOSE ASSY,3/4".....1 11 from SN 3021	1
6	48919GT	TEE,BRANCH,520429-6.....	2	30	491562975 SGT	HOSE ASSY,3/4,90 FEM,STR FEM.....1 11	1
7	491652684 SGT	HOSE ASSEMBLY,3/8.....2 3	2	31	48904GT	ELBOW,90D,520220-4-4.....	3
8	491282934 SGT	HOSE ASSEMBLY,3/8.....1 4	1	32	48911GT	ELBOW,90D,520220-4-6***.....	1
9	491283109 SGT	HOSE ASSEMBLY,3/8.....1 4	1	33	491182358 SGT	HOSE ASSEMBLY,1/4.....1 12	1
10	48939GT	TEE,BRANCH,520433-8.....	1	34	491564006 SGT	HOSE ASSY,3/4,90 FEM,STR FEM.....1 12	1
11	491354664GT	HOSE ASSEMBLY,3/8.....1 5	1	35	48918GT	TEE,RUN,520428-6.....	1
12	48943GT	CONN, 520120-8-6.....	1	36	491203581 SGT	HOSE ASSY(2SPD TO L.R.DRV MOTR.....1 12	1
13	48916GT	CONN, 520120-6.....	5	37	491434029 SGT	HOSE ASSY,1/2,90 FEM,STR FEM.....1 13	1
14	48977GT	CONN,520120-12-16.....5 to SN 3020	5	38	491641943 SGT	HOSE ASSEMBLY,1/4.....1 14	1
--	48960GT	FITTING,CONN,520120-12***.....5 from SN 3021	5	39	491193028 SGT	HOSE ASSY,1/4,STR FEM,STR FEM.....1 15	1
15	48929GT	FITTING,ELBOW,90D,520220-6-8.....	1	40	491192978 SGT	HOSE ASSY 1/4,STR FEM,STR FEM.....1 15	1
16	48959GT	FITTING,ELBOW,90D,520220-12.....	2				
17	48947GT	ELBOW,90D,520220-8-12.....3 to SN 3395	3				
--	48930GT	CONN,520120-6-8.....3 from SN 3396	3				
18	48963GT	FITTING,ELBOW,45D,520320-12***.....	1				
19	491053682 SGT	HOSE ASSEMBLY,3/8.....1 5	1				
20	491512323 SGT	HOSE ASSY,3/4,STR FEM,STR FEM.....1 6	1				
21	491563056 SGT	HOSE ASSY,3/4,90 FEM,STR FEM.....1 7 to SN 3020	1				
--	491572885 SGT	HOSE ASSY,3/4".....1 8 from SN 3021	1				
22	48964GT	FITTING,TEE,RUN,SWIVEL52043212....	1				
23	48960GT	FITTING,CONN,520120-12***.....	6				

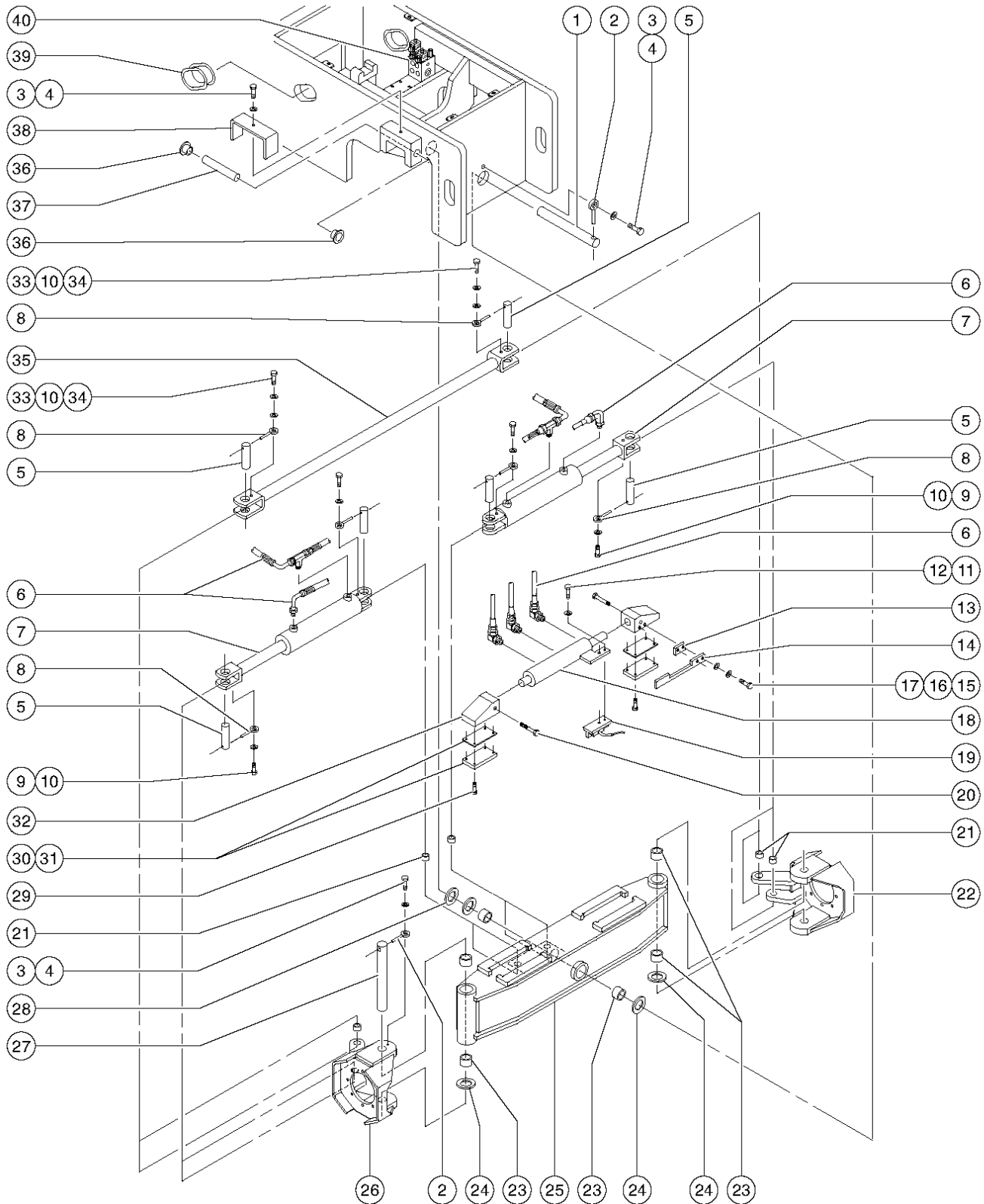
208.1 2WD Hydraulic Hoses and Fitting - Oscillating Models
(continued)

Item	Part No.	Description	Qty.	Item	Part No.	Description	Qty.
------	----------	-------------	------	------	----------	-------------	------

208.1 2WD Hydraulic Hoses and Fitting - Oscillating Models

Item	Part No.	Description	Qty.	Item	Part No.	Description	Qty.
Footnotes							
		1: Hose End - Female, Swivel, 45°, ORFS (Parker No. 1J743-6), Hose End - Female, Swivel, ORFS (Parker No. 1JC43-6) and Hose, 3/8 inch (Parker No. 451TC-6)		11: Hose End - Female, Swivel, ORFS (Parker No. 1JC71-12), Hose End - Female, Swivel, ORFS (Parker No. 1JC71-12) and Hose, 3/4 inch (Parker No. 772-12)			
		2: Hose End - Female, Swivel, ORFS (Parker No. 1JC43-6), Hose End - Female, Swivel, ORFS (Parker No. 1JC43-6) and Hose, 3/8 inch (Parker No. 381-6)		12: Hose End - Female, Swivel, ORFS (Parker No. 1JC43-6-4), Hose End - Female, Swivel, ORFS (Parker No. 1JC43-4) and Hose, 1/4 inch (Parker No. 451TC-4)			
		3: Hose End - Female, Swivel, 90°, ORFS (Parker No. 1J943-6), Hose End - Female, Swivel, ORFS (Parker No. 1JC43-6) and Hose, 3/8 inch (Parker No. 481-6)		13: Hose End - Female, Swivel, 90°, ORFS (Parker No. 1J943-8), Hose End - Female, Swivel, ORFS (Parker No. 1JC43-8) and Hose, 1/2 inch (Parker No. 451TC-8)			
		4: Hose End - Female, Swivel, 90°, ORFS (Parker No. 1J943-6), Hose End - Female, Swivel, ORFS (Parker No. 1JC43-6) and Hose, 3/8 inch (Parker No. 451TC-6)		14: Hose End - Female, Swivel, ORFS (Parker No. 1JC43-6-4), Hose End - Female, Swivel, 90°, ORFS (Parker No. 1J943-4) and Hose, 1/4 inch (Parker No. 451TC-4)			
		5: Hose End - Female, Swivel, ORFS (Parker No. 1JC43-8-6), Hose End - Female, Swivel, ORFS (Parker No. 1JC43-6) and Hose, 3/8 inch (Parker No. 451TC-6)		15: Hose End - Female, Swivel, ORFS (Parker No. 1JC43-4), Hose End - Female, Swivel, ORFS (Parker No. 1JC43-4) and Hose, 1/4 inch (Parker No. 451TC-4)			
		6: Hose End - Female, Swivel, ORFS (Parker No. 1JC43-12), Hose End - Female, Swivel, ORFS (Parker No. 1JC43-12) and Hose, 3/4 inch (Parker No. 481-12)					
		7: Hose End - Female, Swivel, 90°, ORFS (Parker No. 1J971-12), Hose End - Female, Swivel, ORFS (Parker No. 1JC71-12) and Hose, 1/2 inch (Parker No. 481-8)					
		8: Hose End - Female, Swivel, ORFS (Parker No. 1JC71-12), Hose End - Female, Swivel, ORFS (Parker No. 1JC71-12) and Hose, 1/2 inch (Parker No. 481-8)					
		9: Hose End - Female, Swivel, 90°, ORFS (Parker No. 1J943-12-8), Hose End - Female, Swivel, ORFS (Parker No. 1JC43-8) and Hose, 1/2 inch (Parker No. 451TC-8)					
		10: Hose End - Female, Swivel, 90°, ORFS (Parker No. 1J971-12), Hose End - Female, Swivel, ORFS (Parker No. 1JC71-12) and Hose, 3/4 inch (Parker No. 772-12)					

301.1 4WD Steer Axle Linkage



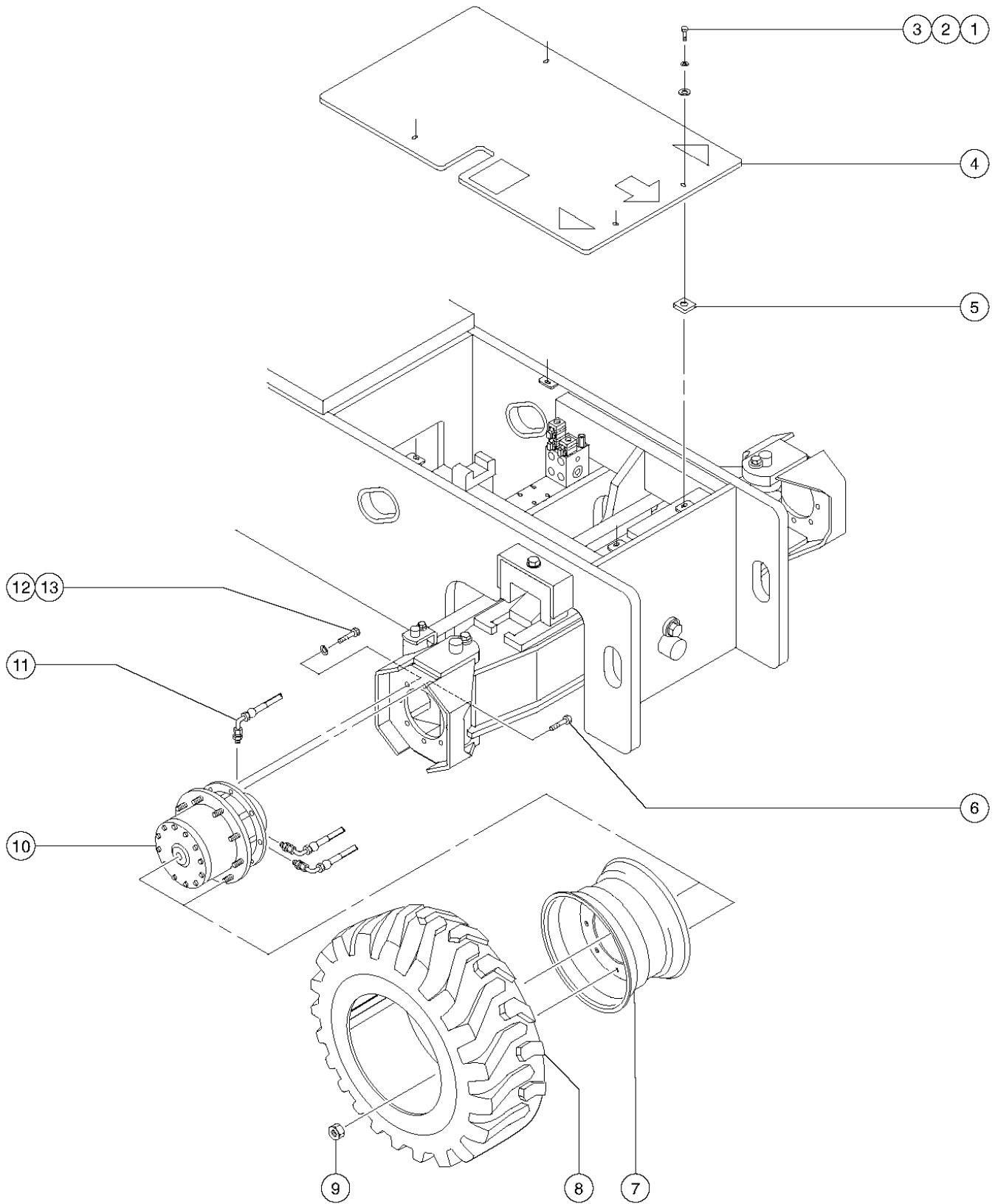
301.1 4WD Steer Axle Linkage

Item	Part No.	Description	Qty.	Item	Part No.	Description	Qty.
1	36370GT	PIN,2.50DIAX15.00LG,1HOLE.....	1	30	25416GT	WEAR PAD,OSCILLATING AXLE, S60....	2
2	1256267GT	ROD END,,5 X 3.75,ZAG.....	3	31	31547GT	SHIM,OSCILLATING AXLE.....	2
3	10597GT	SCREW,HHC,1/2-13 X 1.25 GR5.....	5			1	
4	6033GT	WASHER,LOCK,0.5".....	5	32	25404P-SGT	OSCILLATING AXLE WEDGE BLOCK....	2
5	25419GT	PIN,STEER.....	6	33	6175GT	SCREW,HHC,3/8-16 X 1.....	2
		<i>to SN 1642</i>		34	5397GT	WASHER,FLAT,USS,5/16",Y.....	2
--	30734GT	PIN,1.00DIAX2.88LG,1HOLE.....	6	35	58101GT	TIE ROD ENHANCEMENT KIT.....	1
		<i>from SN 1643</i>				<i>to SN 1970</i>	
6		Ref. Hydraulic Hoses and Fittings (refer to Figure 306.1).....	6	--	63194GT	TIE ROD WELD, SERVICE.....	1
						<i>from SN 1971</i>	
7	59188GT	CYLINDER,STEERING,Z60***.....	2	36	27695GT	BEARING,FL,1.75IDX1.94ODX1.50L....	4
--	59050GT	SEAL KIT,2.5" BORE,1.5" ROD***		37	25769GT	PIN,OSCILLATING,ROLLR,8 X 1.75.....	2
--	59069GT	PISTON COMPLETE W/ SEALS		38	27656P-SGT	RETAINER,AXLE ROLLER PIN,PAINT....	2
--	59328GT	PISTON SEAL ONLY		39	53387GT	GUARD, HOSE PROTECTOR.....	2
8	1255452GT	ROD END,,375 X 2.25,ZAG.....	6	40	32636GT	MANIFOLD,STEER/OSCILLATION***.....	2
9	49857GT	SCREW,HHC,3/8-16 X .88,GRD 8.....	4				
10	6021GT	WASHER,LOCK,,375.....	6				
11	45645GT	SCREW,RHM,8-32 X .75.....	2				
12	6607GT	WASHER,LOCK,#10 PLTD.....	2				
13	29855P-SGT	BRACKET,PUSH ROD SWITCH,PAINTD.....	1				
14	31266GT	ACTUATOR ASSY,PROX.SWITCH.....	1				
--	29261GT	MAGNET,NEODYMIUM,,375 X .100.....	1				
15	7339GT	SCREW,HHC,1/4-20 X .5.....	2				
16	6356GT	WASHER,LOCK,,.25.....	2				
17	6638GT	WASHER,FLAT,USS,1/4"Y.....	2				
18	63216GT	CYLINDER, OSCILLATING AXLE.....	1				
--	63356GT	SEAL KIT CYL.S/Z60(63216).....	1				
19	65441-SGT	PROX SWITCH ASSY-Z60.....	1				
20	8357GT	SCREW,HHC,1/2-13 X 3.5.....	2				
21	27694GT	BEARING,1.25 ID X 1.41 OD X 1".....	6				
		<i>to SN 1970</i>					
--	53451GT	BEARING,1.00"ID X 1.40"OD X 1".....	6				
		<i>from SN 1971</i>					
22	46966GT	YOKE ASSY 2/4WD,L.S.,Z60.....	1				
		<i>includes 2 each index number 21</i>					
23	27698GT	BEARING,2.50IDX2.75ODX2.00L.....	6				
24	25436GT	WASHER,THRUST,2.56 X 4.0 X.18.....	3				
25	29212GT	FRONT AXLE ASSY,S60,Z60.....	1				
		<i>includes 2 each of index number 23</i>					
26	46967GT	YOKE ASSY 2/4WD,R.S.,Z60.....	1				
		<i>includes 2 each index number 21</i>					
27	44086GT	PIN,2.50DIAX15.75LG,1HOLE.....	2				
28	29746GT	WASHER,FLAT,2.5 X 4 X .062.....	4				
		1					
29	16439GT	SCREW,FHS,3/8-16 X 1.....	8				

Footnotes

1: Quantity listed for this item is approximate. Actual quantity may vary to ensure proper fit.

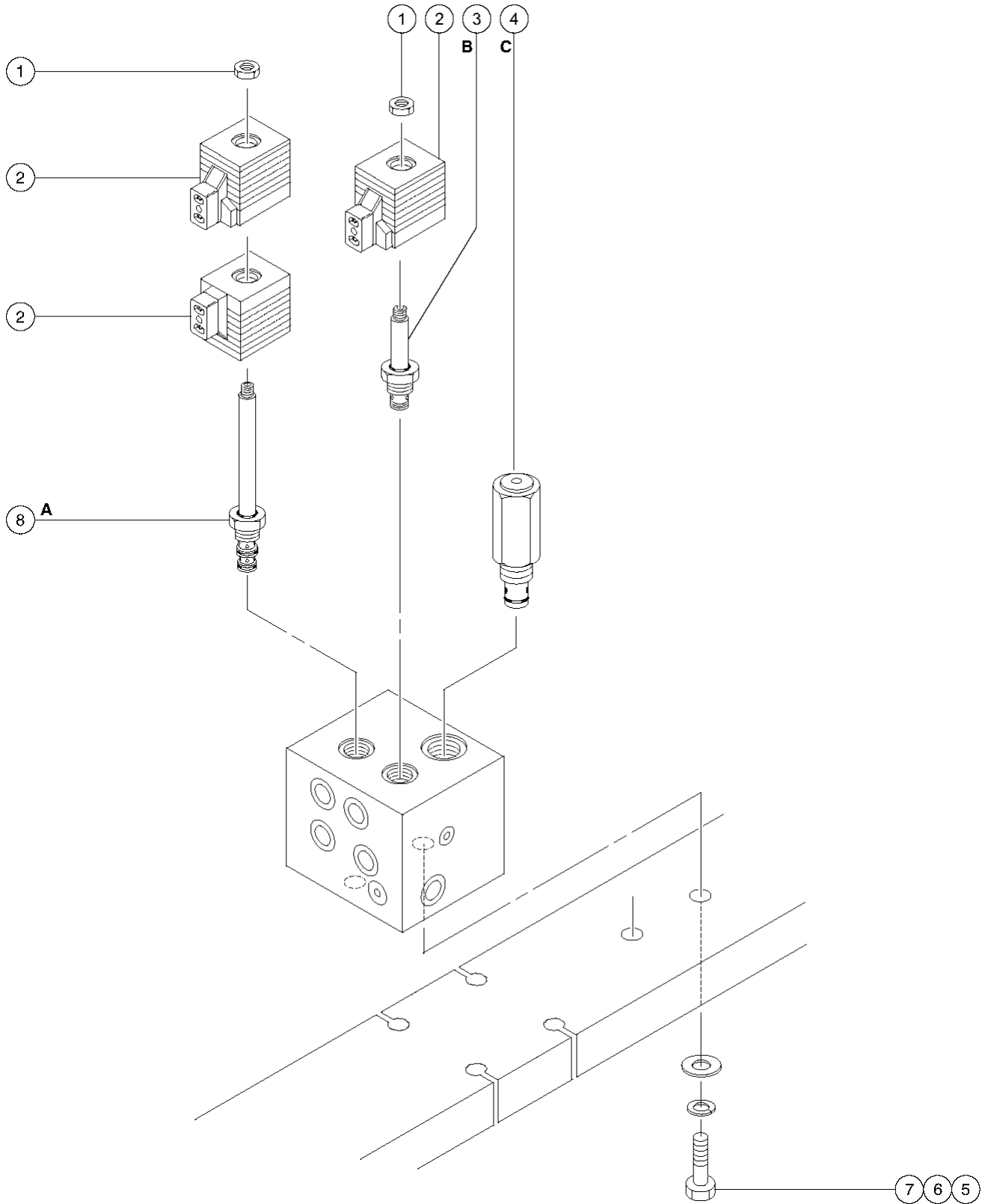
302.1 4WD Steer Axle Linkage - Wheels and Hubs



302.1 4WD Steer Axle Linkage - Wheels and Hubs

Item	Part No.	Description	Qty.
1	6090GT	SCREW,HHC,1/4-20 X .75.....	4
2	6356GT	WASHER,LOCK,.25.....	4
3	6638GT	WASHER,FLAT,USS,1/4"Y.....	4
4	31088GT	COVER ASSY,DRIVE CHASSIS,STEER.....	1
5	56912GT	SPRING CLIP,1/4-20,.025-.15X.54,ZAG.....	4
6	29883GT	SCREW,HHC,5/8-11 X 1.75 GRD.8.....	2
7	73259GT	WHEEL,19.5 X 11.75***.....	2
8	73185GT	TIRE,38/65D-19.5,16PLY,OTR*.....	2
--	73257GT	TIRE & WHEEL ASSY: AIR..... <i>left side</i>	2
--	73258GT	TIRE & WHEEL ASSY: AIR..... <i>right side</i>	2
--	73260GT	TIRE & WHEEL ASSY,FOAM***..... <i>left side</i>	2
--	73261GT	TIRE & WHEEL ASSY,FOAM***..... <i>right side; from SN 2868</i>	2
9	54627GT	NUT,LUG,5/8-18 X 90 DEGREE,Z45.....	18
10	28833GT	MTR/TORQUE HUB,FRT,WM2-33.8:1*.....	2
--	21149GT	LUG,WHEEL STUD,5/8-18,W1/4HB**.....	2
--	226101GT	SEAL KIT (28833).....	2
--	65447GT	O-RING - TORQUE HUB END COVER...2	
--	65448GT	WASHER,THRUST-TORQUE HUB-29231.....	2
--	65450GT	BEARING & RACE KIT-28833/Z60.....	2
--	65451GT	COVER-END,TORQUE HUB (28833)....	2
--	65876GT	SEAL KIT, MOTOR(28833).....	2
--	72300GT	GASKET,MTR/TORUE HUB(28833)	
11		Ref. Hydraulic Hoses and Fittings (refer to Figure 306.1).....	2
12	19418GT	SCREW,SHC,5/8-11 X 1.75.....	12
13	13064GT	WASHER,FLAT,.625 HARDENED.....	12

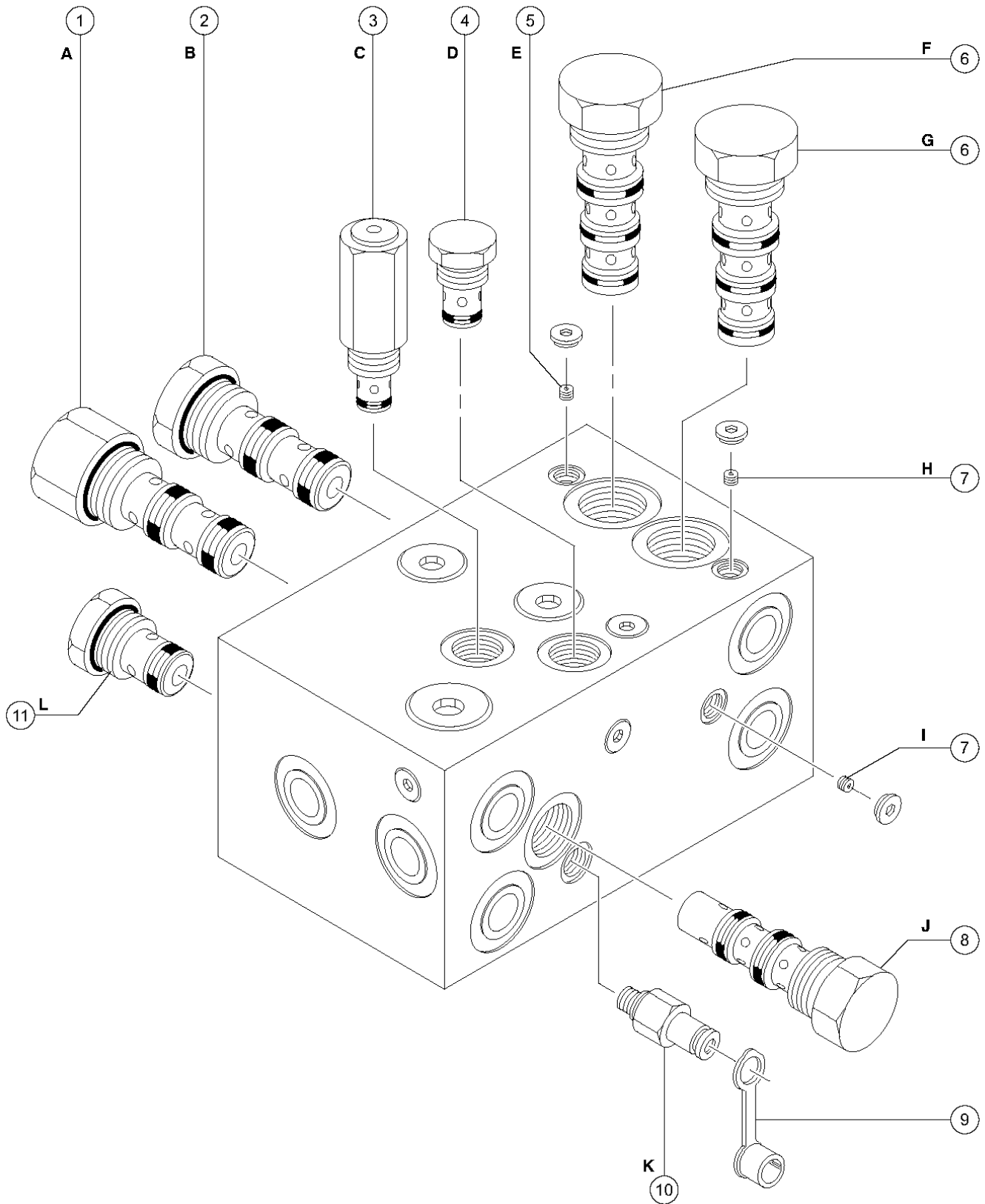
303.1 4WD Steer/Oscillating Manifold



303.1 4WD Steer/Oscillating Manifold

Item	Part No.	Description	Qty.
A		Valve - Solenoid <i>Steer Left/Right</i>	
B		Valve - Solenoid <i>Oscillating Circuit</i>	
C		Valve - Relief <i>Oscillating Circuit</i>	
--	28750GT	O-RING KIT,FIELD SVC,ALL PROD*	
--	32636GT	MANIFOLD,STEER/OSCILLATION***	
--	49612GT	O-RING KIT (ORFS FITTINGS)	
--	49613GT	PLUG AND CAP KIT-SERVICE,ORFS*	
1	52943GT	NUT,SOLENOID VALVE COIL.....	2
2	29744GT	COIL,10V.....	3
3	52034GT	VALVE,SOLENOID,2 POS-4 WAY-10V....	1
4	65443GT	VALVE-RELIEF, 250 PSI (32636).....	1
5	6175GT	SCREW,HHC,3/8-16 X 1.....	2
6	6021GT	WASHER,LOCK,.375.....	2
7	5397GT	WASHER,FLAT,USS,5/16",Y.....	2
8	48684GT	VALVE, SOLENOID, 10V.....	1

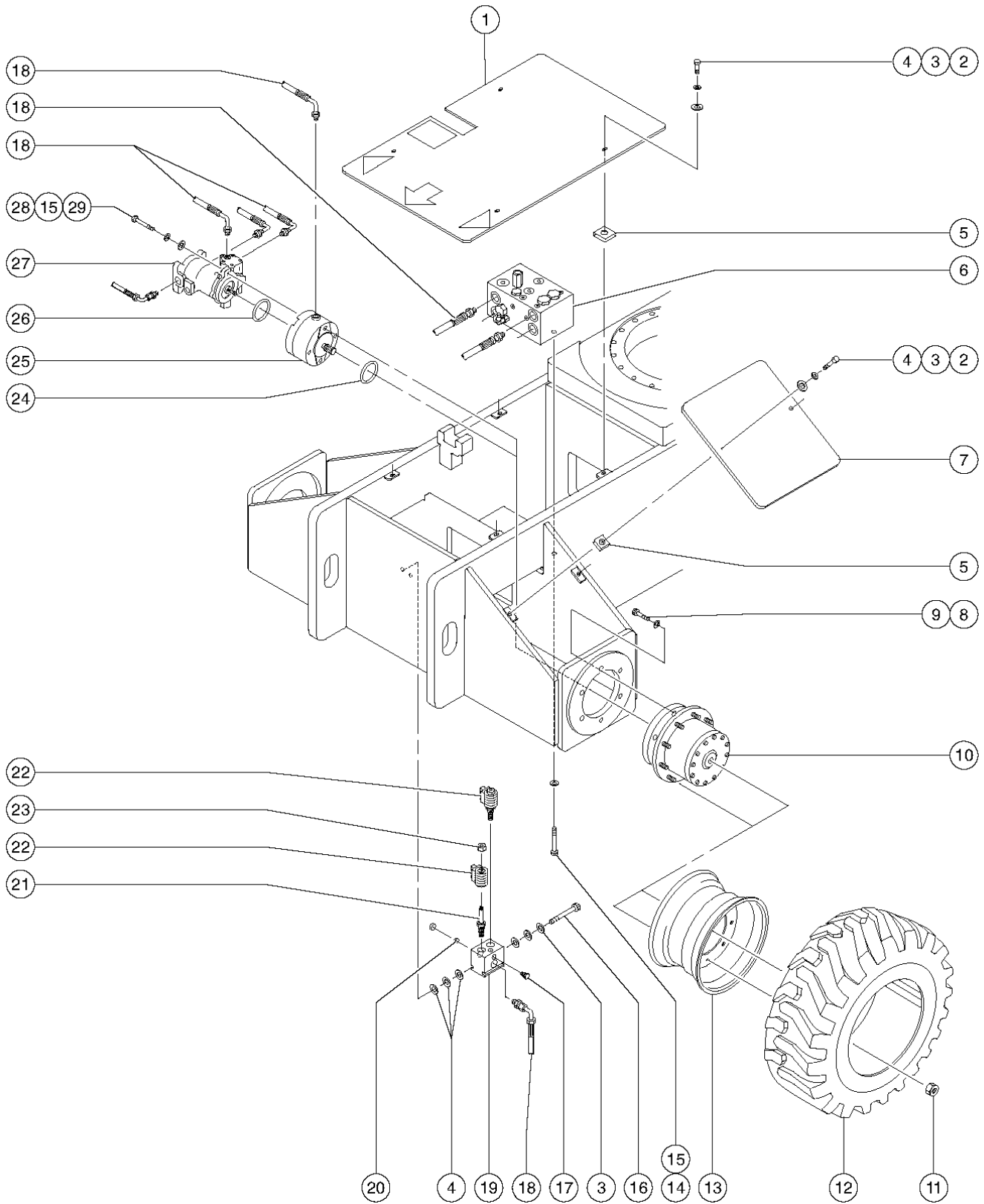
304.1 4WD Drive Manifold



304.1 4WD Drive Manifold

Item	Part No.	Description	Qty.
A		Valve - Directional Control <i>Divider Bypass</i>	
B		Valve - Flow Divider <i>Drive Circuit</i>	
C		Valve - Relief <i>Charge Pressure Circuit</i>	
D		Valve - Check <i>Divider Bypass Circuit</i>	
E		Plug - Orifice, 0.052 inch (1.32 mm) <i>Front Drive Motor Orifice</i>	
F		Valve - Flow Divider <i>Front Wheel Drive Circuit</i>	
G		Valve - Flow Divider <i>Rear Wheel Drive Circuit</i>	
H		Plug - Orifice, 0.07 inch (1.78 mm) <i>Rear Drive Motor Orifice</i>	
I		Plug - Orifice, 0.07 inch (1.78 mm) <i>Drive Circuit Orifice</i>	
J		Valve - Shuttle <i>Hot Oil Shuttle</i>	
K		Diagnostic Nipple <i>Testing</i>	
L		Valve - Check <i>Divider Bypass Circuit</i>	
--	28750GT	O-RING KIT,FIELD SVC,ALL PROD*	
--	40033GT	MANIFOLD,TRCN W/BYPASS,4WD*** <i>includes index numbers 1-8 and 11</i>	
--	49612GT	O-RING KIT (ORFS FITTINGS)	
--	49613GT	PLUG AND CAP KIT-SERVICE,ORFS*	
1	48658GT	VALVE,DIRECT. CONTROL,4WD S60....1	
2	33521GT	VALVE,FLOW DIVIDER/COMBINER.....1	
3	43597GT	VALVE,RELIEF,210 PSI.....1	
4	33562GT	VALVE,CHECK,PILOT OPERATED.....1	
5	65449GT	PLUG,ORIFICE, 0.052 (40033).....1	
6	52726GT	VALVE,FLOW DIVIDER/COMBINER.....2	
7	33520GT	PLUG,ORIFICE,0.070.....2	
8	27761GT	VALVE,SHUTTLE.....1	
9	48880GT	CAP,DIAGNOSTIC NIPPLE.....1	
10	48997GT	NIPPLE,DIAGNOSTIC,#4.....1	
--	20224GT	DIAGNOSTIC FEMALE Q-DSCNT.....1	
11	23938GT	VALVE,CHECK 45027,20419.....1	

305.1 4WD Non-steer Axle



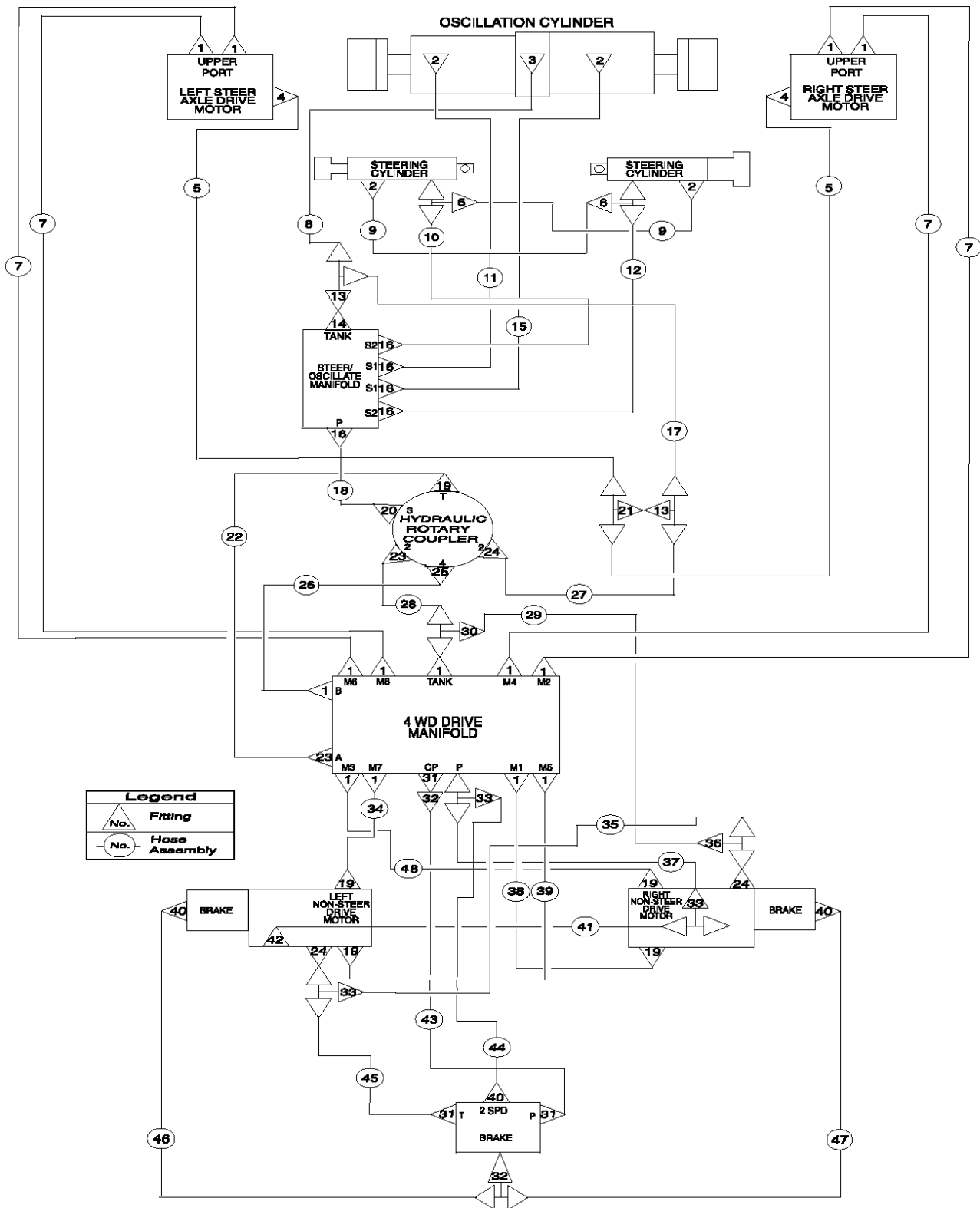
305.1 4WD Non-steer Axle

Item	Part No.	Description	Qty.	Item	Part No.	Description	Qty.
1	31089GT	COVER ASSY, CHASSIS,DRIVE.....	1	24	52087GT	O-RING,2-044 BUNA***.....	2
2	6090GT	SCREW,HHC,1/4-20 X .75.....	8	25	41914GT	BRAKE,MICO,1400 IN.LBS. **.....	2
3	6356GT	WASHER,LOCK,.25.....	10	--	41918GT	LINING KIT,MICO BRAKE.....	2
4	6638GT	WASHER,FLAT,USS,1/4"Y.....	18	--	41921GT	SEAL KIT,BRAKE,MICO.....	2
		1		--	41922GT	BEARING KIT,BRAKE,MICO.....	2
5	56912GT	SPRING CLIP,1/4-20,.025-.15X.54,ZAG.....	8	--	65608GT	BEARING KIT, AUSCO***.....	2
6		Ref. Manifold - Drive, 4WD (refer to Figure 304.1).....	8	--	77239GT	LINING KIT,AUSCO BRAKE***.....	2
7	30302P-SGT	COVER,DRIVE CHASSIS,AXLE,PAINT.....	2	--	77240GT	SEAL KIT, AUSCO BRAKE***.....	2
8	45495GT	SCREW,SHC,5/8-11 X 3.00,A574.....	12	--	22811GT	O-RING,MOTOR TO BRAKE***.....	2
9	42191GT	WASHER,FLAT,.640X1.160X.09.....	12	27	24667GT	DRVE MOTOR REAR,4WD/1DEGREE...2	
10	29231GT	TORQUE HUB,49:1.....	2	--	49897GT	GASKET,TURTLE,DRV MTR,EDC	
--	21144GT	CAP,DISENGAGE-45553 TORQUE HUB.....	2	--	65865GT	SEAL KIT, SUNSTRAND	
--	21145GT	DISCONNECT ROD-45553 TQ.HUB.....	2	--	83081GT	COVER, SERVO (24667)	
--	21146GT	COVER CAP,TORQUE HUB***.....	2	28	22786GT	SCREW,HHC,1/2-13 X 5.5.....	4
--	21149GT	LUG,WHEEL STUD,5/8-18,W1/4HB**.....	2	29	13066GT	WASHER,FLAT,.5 HARDENED.....	4
--	226099GT	THRUST WASHER (29231)					
--	226100GT	BEARING NUT (29231)					
--	29288GT	SEAL KIT,FAIRFIELD,W2B2.....	2				
--	65445GT	BEARING & RACE KIT(29231)/Z60.....	2				
--	65446GT	COVER - END,TORQUE HUB (29231)....	2				
--	65447GT	O-RING - TORQUE HUB END COVER...2					
--	65448GT	WASHER,THRUST-TORQUE HUB-29231.....	2				
11	54627GT	NUT,LUG,5/8-18 X 90 DEGREE,Z45.....	18				
12		Ref Tire - Rough Terrain (refer to Figure 302.1).....	18				
13	73259GT	WHEEL,19.5 X 11.75***.....	2				
14	10597GT	SCREW,HHC,1/2-13 X 1.25 GR5.....	2				
15	6033GT	WASHER,LOCK,0.5".....	6				
16	6115GT	SCREW,HHC,1/4-20 X 3.5.....	2				
17	43599GT	VALVE,CHECK.....	1				
--	110200GT	SEAL KIT, VALVE, #4					
18		Ref. Hydraulic Hoses and Fittings (refer to Figure 306.1).....	1				
19	42157GT	MANIFOLD,BRAKE/MOTOR SHIFT.....	1				
		<i>includes index numbers 17 and 20-23</i>					
20	32669GT	ORIFICE PLUG,.025 (30551).....	1				
21	65766GT	VALVE,SOLENOID,10V W/DIODE***.....	2				
		<i>includes index numbers 22 and 23</i>					
--	72043GT	SEAL KIT,SOLENOID VALVE.....	2				
22	43601GT	COIL,SOLENOID VLV,10V W/ DIODE.....	2				
23	52943GT	NUT,SOLENOID VALVE COIL.....	2				

Footnotes

1: Quantity listed for this item is approximate.
Actual quantity may vary to ensure proper fit.

306.1 4WD Hydraulic Hoses and Fittings - Oscillating Axle



306.1 4WD Hydraulic Hoses and Fittings - Oscillating Axle

Item	Part No.	Description	Qty.	Item	Part No.	Description	Qty.
--	49612GT	O-RING KIT (ORFS FITTINGS)		28	49151-2323 SGT	HOSE ASSY,3/4,STR FEM,STR FEM.....1 11	1
--	49613GT	PLUG AND CAP KIT-SERVICE,ORFS*		29	49142-4087 SGT	HOSE ASSEMBLY,1/2".....1 12	1
1	48960GT	FITTING,CONN,520120-12***.....14	14	30	48964GT	FITTING,TEE,RUN,SWIVEL52043212....1	1
2	48915GT	ELBOW,90D,520220-6.....4	4	31	48905GT	CONN,520120-4***.....3	3
3	48942GT	ELBOW,90D,520220-8-6.....1	1	32	48908GT	FITTING,TEE,RUN,SWIVEL520432-4....1	1
4	48946GT	CONN,520120-8-10.....2	2	33	48918GT	TEE,RUN,520428-6.....1	1
5	49167-6679 SGT	HOSE ASSEMBLY,1/2.....2 1	2	34	49156-4006 SGT	HOSE ASSY,3/4,90 FEM,STR FEM.....1 13	1
6	48919GT	TEE,BRANCH,520429-6.....2	2	35	49143-4029 SGT	HOSE ASSY,1/2,90 FEM,STR FEM.....1 14	1
7	49156-10366 SGT	HOSE ASSY,3/4,90 FEM,STR FEM.....4 2	4	36	51580GT	FITTING,REDUCER,520123-12-8***.....2	2
8	49141-2088 SGT	HOSE ASSY,1/2,45 FEM,STR FEM.....1 3	1	37	49122-3786 SGT	HOSE ASSEMBLY,1/4.....1 15	1
9	49166-2684 SGT	HOSE ASSEMBLY,3/8.....2 4	2	38	49156-3331 SGT	HOSE ASSY,3/4,90 FEM,STR FEM.....1 16	1
10	49128-2934 SGT	HOSE ASSEMBLY,3/8.....1 5	1	39	49156-4006GT	HOSE ASSY,3/4,90 FEM,STR FEM.....1 17	1
11	49126-2158 SGT	HOSE ASSY,3/8,45 FEM,STR FEM.....1 6	1	40	48904GT	ELBOW,90D,520220-4-4.....3	3
12	49128-3109 SGT	HOSE ASSEMBLY,3/8.....1 6	1	41	49120-3581 SGT	HOSE ASSY(2SPD TO L.R.DRV MOTR.....1 18	1
13	48939GT	TEE,BRANCH,520433-8.....1	1	42	48911GT	ELBOW,90D,520220-4-6***.....1	1
14	48943GT	CONN, 520120-8-6.....1	1	43	49118-2358 SGT	HOSE ASSEMBLY,1/4.....1 19	1
15	49126-2383 SGT	HOSE ASSY,3/8,45 FEM,STR FEM.....1 6	1	44	49117-2341 SGT	HOSE ASSY,1/4,90 FEM,STR FEM.....1 20	1
16	48916GT	CONN, 520120-6.....5	5	45	49118-2858 SGT	HOSE ASSEMBLY,1/4.....1 20	1
17	49166-2741 SGT	HOSE ASSEMBLY,1/2.....1 7	1	46	49119-3028 SGT	HOSE ASSY,1/4,STR FEM,STR FEM.....1 21	1
18	49106-3682 SGT	HOSE ASSEMBLY,3/8.....1 8	1	47	49119-2978 SGT	HOSE ASSY 1/4,STR FEM,STR FEM.....1 21	1
19	48977GT	CONN,520120-12-16.....6	6	48	49156-2975 SGT	HOSE ASSY,3/4,90 FEM,STR FEM.....1 22	1
20	48929GT	FITTING,ELBOW,90D,520220-6-8.....1	1				
21	48940GT	TEE,BULKHEAD,RUN,520958-8.....1	1				
22	49156-4506 SGT	HOSE ASSY,3/4,90 FEM,STR FEM.....1 9	1				
23	48959GT	FITTING,ELBOW,90D,520220-12.....2	2				
24	48947GT	ELBOW,90D,520220-8-12.....3	3				
25	48963GT	FITTING,ELBOW,45D,520320-12***.....1	1				
26	49156-3056 SGT	HOSE ASSY,3/4,90 FEM,STR FEM.....1 9	1				
27	49167-3029 SGT	HOSE ASSEMBLY,1/2.....1 10	1				

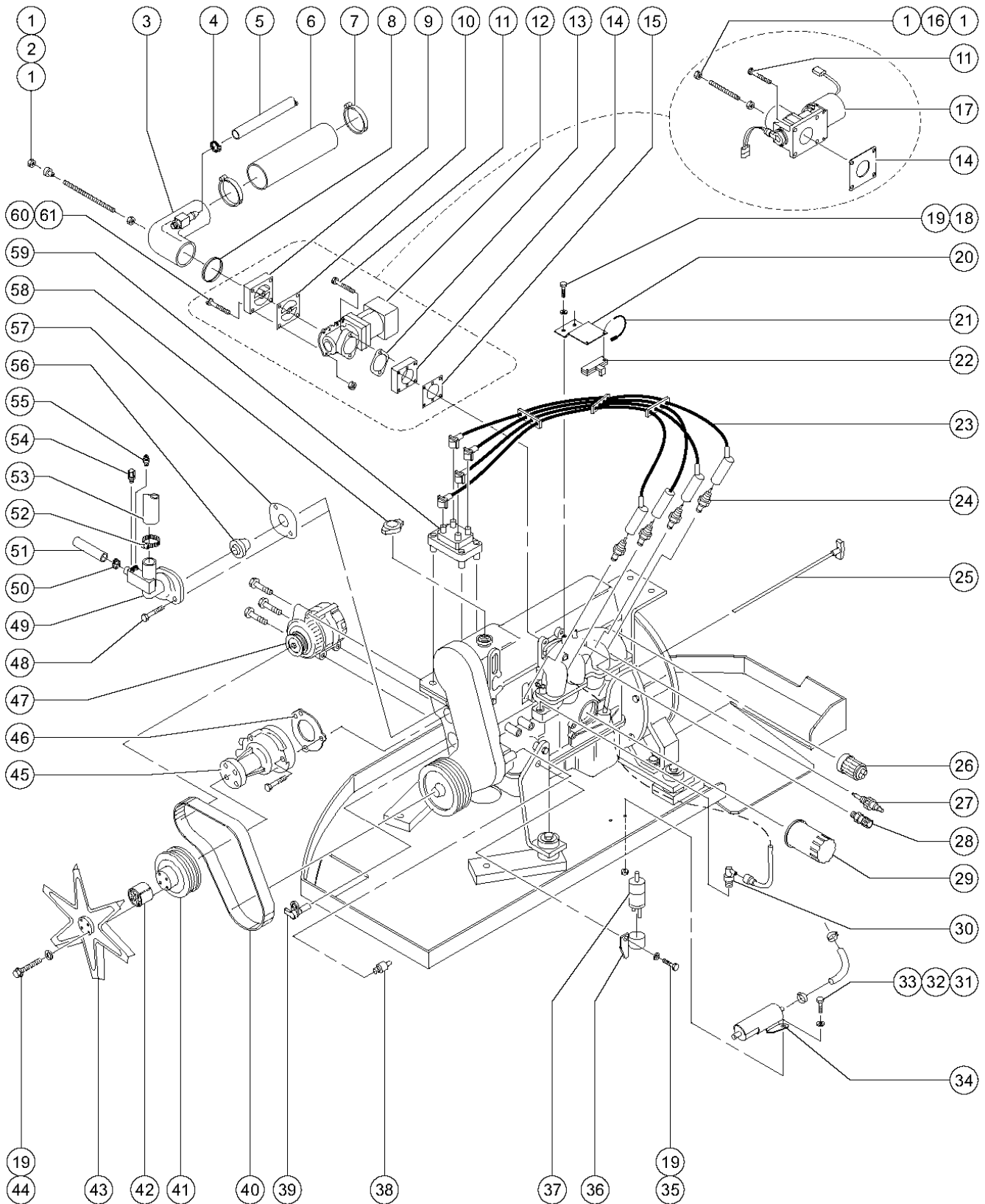
306.1 4WD Hydraulic Hoses and Fittings - Oscillating Axle
(continued)

Item	Part No.	Description	Qty.	Item	Part No.	Description	Qty.
------	----------	-------------	------	------	----------	-------------	------

306.1 4WD Hydraulic Hoses and Fittings - Oscillating Axle

Item	Part No.	Description	Qty.	Item	Part No.	Description	Qty.
Footnotes							
		1: Hose End - Female, Swivel, 90°, ORFS (Parker No. 1J943-8), Hose End - Female, Swivel, ORFS (Parker No. 1JC43-8) and Hose, 1/2 inch (Parker No. 481-8)				ORFS (Parker No. 1JC71-12) and Hose, 3/4 inch (Parker No. 481-12)	
		2: Hose End - Female, Swivel, 90°, ORFS (Parker No. 1J971-12), Hose End - Female, Swivel, ORFS (Parker No. 1JC71-12) and Hose, 3/4 inch (Parker No. 772-12)				12: Hose End - Female, Swivel, ORFS (Parker No. 1JC43-12), Hose End - Female, Swivel, 90°, ORFS (Parker No. 1J943-8) and Hose, 1/2 inch (Parker No. 451TC-8)	
		3: Hose End - Female, Swivel, ORFS (Parker No. 1JC43-8), Hose End - Female, Swivel, 90°, ORFS (Parker No. 1J943-8) and Hose, 1/2 inch (Parker No. 451TC-8)				13: V, Hose End - Female, Swivel, 45°, ORFS (Parker No. 1J743-12-8) and Hose, 3/4 inch (Parker No. 772-12)	
		4: Hose End - Female, Swivel, 90°, ORFS (Parker No. 1J943-6), Hose End - Female, Swivel, ORFS (Parker No. 1JC43-6) and Hose, 3/8 inch (Parker No. 481-6)				14: Hose End - Female, Swivel, 90°, Long, ORFS (Parker No 1J143-8), Hose End - Female, Swivel, ORFS (Parker No. 1JC43-8) and Hose, 1/2 inch (Parker No. 451TC-8)	
		5: Hose End - Female, Swivel, 90°, ORFS (Parker No. 1J943-6), Hose End - Female, Swivel, ORFS (Parker No. 1JC43-6) and Hose, 3/8 inch (Parker No. 451TC-6)				15: Hose End - Female, Swivel, ORFS (Parker No. 1JC43-6), Hose End - Female, Swivel, 90°, ORFS (Parker No. 1J943-6-4) and Hose, 1/4 inch (Parker No. 451TC-4)	
		6: Hose End - Female, Swivel, 45°, ORFS (Parker No. 1J743-6), Hose End - Female, Swivel, ORFS (Parker No. 1JC43-6) and Hose, 3/8 inch (Parker No. 451TC-6)				16: V, Hose End - Female, Swivel, (Parker No. 1JC71-12) and Hose, 3/4 inch (Parker No. 772-12)	
		7: Hose End - Female, Swivel, 90°, Long, ORFS (Parker No 1J143-8), Hose End - Female, Swivel, ORFS (Parker No. 1JC43-8) and Hose, 1/2 inch (Parker No. 481-8)				17: V, Hose End - Female, Swivel, ORFS (Parker No. 1JC71-12) and Hose, 3/4 inch (Parker No. 772-12)	
		8: Hose End - Female, Swivel, ORFS (Parker No. 1JC43-6), Hose End - Female, Swivel, ORFS (Parker No. 1JC43-6) and Hose, 3/8 inch (Parker No. 381-6)				18: K, Hose End - Female, Swivel, ORFS (Parker No. 1JC43-4) and Hose, 1/4 inch (Parker No. 451TC-4)	
		9: V, Hose End - Female, Swivel, 90°, ORFS (Parker No. 1J971-12) and Hose, 3/4 inch (Parker No. 772-12)				19: Hose End - Female, Swivel, ORFS (Parker No. 1JC43-6), Hose End - Female, Swivel, ORFS (Parker No. 1JC43-4) and Hose, 1/4 inch (Parker No. 451TC-4)	
		10: Hose End - Female, Swivel, 90°, Long, ORFS (Parker No 1J143-8), Hose End - Female, Swivel, 90°, ORFS (Parker No. 1J943-8) and Hose, 1/2 inch (Parker No. 481-8)				20: Hose End - Female, Swivel, 90° ORFS (Parker No. JC943-4), Hose End - Female, Swivel, ORFS (Parker No. 1JC43-4) and Hose, 1/4 inch (Parker No. 451TC-4)	
		11: Hose End - Female, Swivel, ORFS (Parker No. 1JC71-12), Hose End - Female, Swivel,				21: Hose End - Female, Swivel, ORFS (Parker No. 1JC43-6), Hose End - Female, Swivel, ORFS (Parker No. 1JC43-6) and Hose, 1/4 inch (Parker No. 451TC-4)	
						22: Hose End - Female, Swivel, 90, ORFS (Parker No. 1J971-12), Hose End - Female, Swivel, ORFS (Parker No. 1JC71-12) and Hose, 3/4 inch (Parker No. 772-12)	

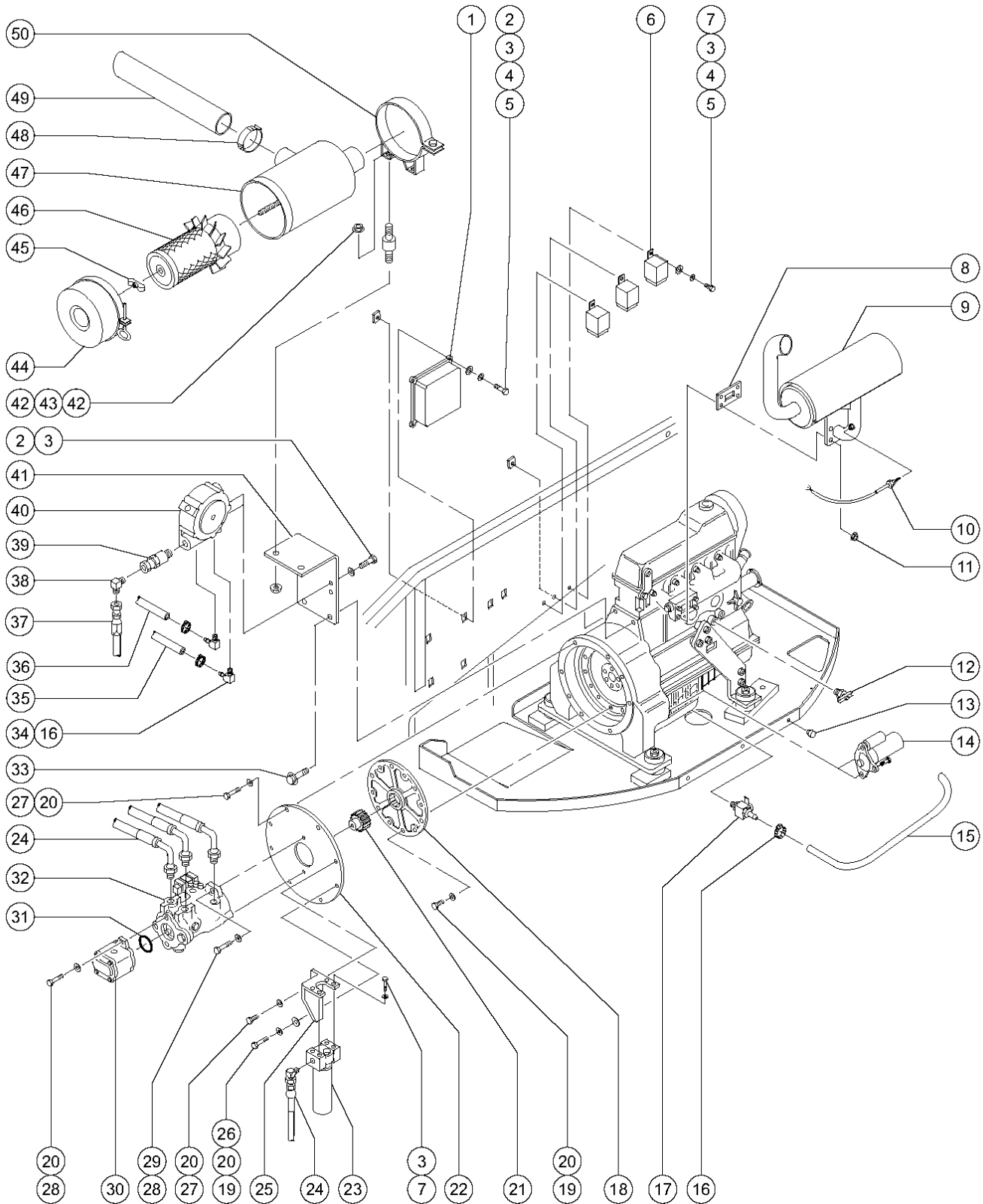
401.1 Ford LRG-425 EFI Engine - View 1



401.1 Ford LRG-425 EFI Engine - View 1

Item	Part No.	Description	Qty.	Item	Part No.	Description	Qty.
--	49735GT	ENGINE,FORD LRG 425,EFIZ45 (remanufactured long block only, does not include starter, alternator, radiator or fuel system)		29	28656GT	FILTER,OIL,FORD.....1 <i>Genie genuine part</i>	1
1	6889GT	NUT,LP NYLOCK,1/4-20.....2	2	--	1259054GT	FILTER, OIL, FORD <i>Genie aftermarket</i>	
2	27010GT	VALVE,LOCK OFF,BEAM #FL-418.....1	1	30	33957GT	VALVE,PCV-FORD LRG***.....1	1
3	24552GT	VENTURI,BEAM (FORD) ***.....1	1	31	8915GT	SCREW,HHC,1/4-20 X 1.25.....3	3
4	46131GT	CLAMP,HOSE,.63" - 1.0" X .5".....2	2	32	6638GT	WASHER,FLAT,USS,1/4"Y.....3	3
5	53832GT	HOSE,FIRE RES.,5/8 ID,BULK		33	6091GT	NUT,NYLOCK,1/4-20.....3	3
6	53125GT	HOSE,AIR INTAKE 2.5 ID X 6.5.....1	1	34	77355GT	FUEL PUMP KIT,LRG 425,WALBRO**....1	1
7	30971GT	CLAMP,HOSE,3.00".....2	2	35	25929GT	SCREW,HHC,M8 X 30MM,GRD 8.8.....1	1
8	65455GT	GASKET-VENTURI BEAM (FORD).....1	1	36	65453GT	BRACKET-FUEL FILTER (52567).....1	1
9	48471GT	ADAPTER,LP VENTURI.....1 <i>to SN 2149</i>	1	37	58967GT	FUEL PRESSURE REG,425EFI***.....1	1
10	48477GT	GASKET,LP ADAPTER.....1 <i>to SN 2149</i>	1	38	58900GT	SENSOR,CAM,EFI***.....1	1
11	49386GT	SCREW,HHC,M8 X 40.....2 <i>to SN 2149</i>	2	39	33968GT	SENSOR, CRANK POSITION.....1	1
12	94922GT	KIT,FORD EFI UPDATE,BASE***.....1 <i>to SN 2149</i>	1	40	52580GT	BELT,SERPENTINE,LRG425 EFI***.....1	1
13	52577GT	GASKET - THROTTLE BODY, 425EFI.....1 <i>to SN 2149</i>	1	41	52078GT	PULLEY,FORD ENGINE,LRG-423***.....1	1
14	88455GT	ADAPTER,THROTTLE ACTUATOR***.....1 <i>to SN 2149</i>	1	42	52077GT	SPACER,FAN TO WATERPUMP LRG423.....1	1
15	52579GT	GASKET,ADAPTER PLATE,425EFI***.....1 <i>to SN 2149</i>	1	43	52076GT	FAN, LSG423/LRG425.....1	1
16	27507GT	THREADED ROD,1/4-20,4.5".....1 <i>from SN 2150</i>	1	44	32309GT	SCREW,HHC,M8 X 60MM X 1.25.....4	4
17A		ACTUATOR, FORD EFI PRECISION.....1 <i>from SN 2150; component no longer available</i>	1	45	33963GT	PUMP, WATER, WITH GASKET.....1	1
17B	88451GT	THROTTLE ACTUATOR*(BOSCH) <i>models with EFI update kit ONLY</i>		46	33964GT	GASKET, WATER PUMP.....1	1
18	23057GT	SCREW,HHC,M8 X 20MM.....2	2	47	33960GT	ALTERNATOR,LRG-423 RE-BUILT*.....1	1
19	6886GT	WASHER,LOCK,.313.....7	7	48	65454GT	BOLT-FLANGE,M6 X 22MM(52573).....2	2
20	48475P-SGT	BRACKET, MAP SENSOR.....1	1	49	52573GT	THERMOSTAT HOUSING, LRG425 EFI.....1	1
21	21121GT	CABLE TIE,4" BLK,HEAT RESISTNT.....2	2	50	36208GT	CLAMP,HOSE,1.25***.....1	1
22	49898GT	MAP SENSOR, EFI.....1	1	51	52762GT	HOSE,WATER INLET,LRG425 EFI.....1	1
23	52570GT	SPARK PLUG WIRE SET, LRG425EFI.....1	1	52	22672GT	CLAMP,HOSE,1.75.....2	2
24	28647GT	SPARK PLUG,FORD.....4	4	53	54862GT	HOSE,UPPER RADIATOR,Z45.....1	1
24	52656GT	FUEL INJECTOR, LRG-425 EFI.....4 <i>not shown</i>	4	54	33972GT	SENSOR,COOLANT TEMP*.....1	1
25	52566GT	DIPSTICK, OIL LEVEL,LRG425 EFI.....1	1	55	65456GT	SENDING UNIT-H20TMP LRG425EFI*...1	1
26	34058GT	SENDING UNIT,TMP,FRD,GM,PRK704.....1	1	56	33966GT	THERMOSTAT, FORD LRG.....1	1
27	30810GT	SENDING UNIT,OIL PRESSURE***.....1 <i>dual-terminal sender</i>	1	57	52575GT	GASKET,THERM.HSNG O-RING.....1	1
28	52652GT	SENSOR,AIR TEMP,LRG-425 EFI***.....1	1	58	49881GT	OIL FILLER CAP FOR LRG ENGINE.....1	1
				59	33970GT	COIL, ELECTRONIC IGN., FORD.....1	1
				60	30469GT	SCREW,FHM,10-32 X 1.5.....4	4
				61	5365GT	NUT,NYLOCK,10-24.....4	4

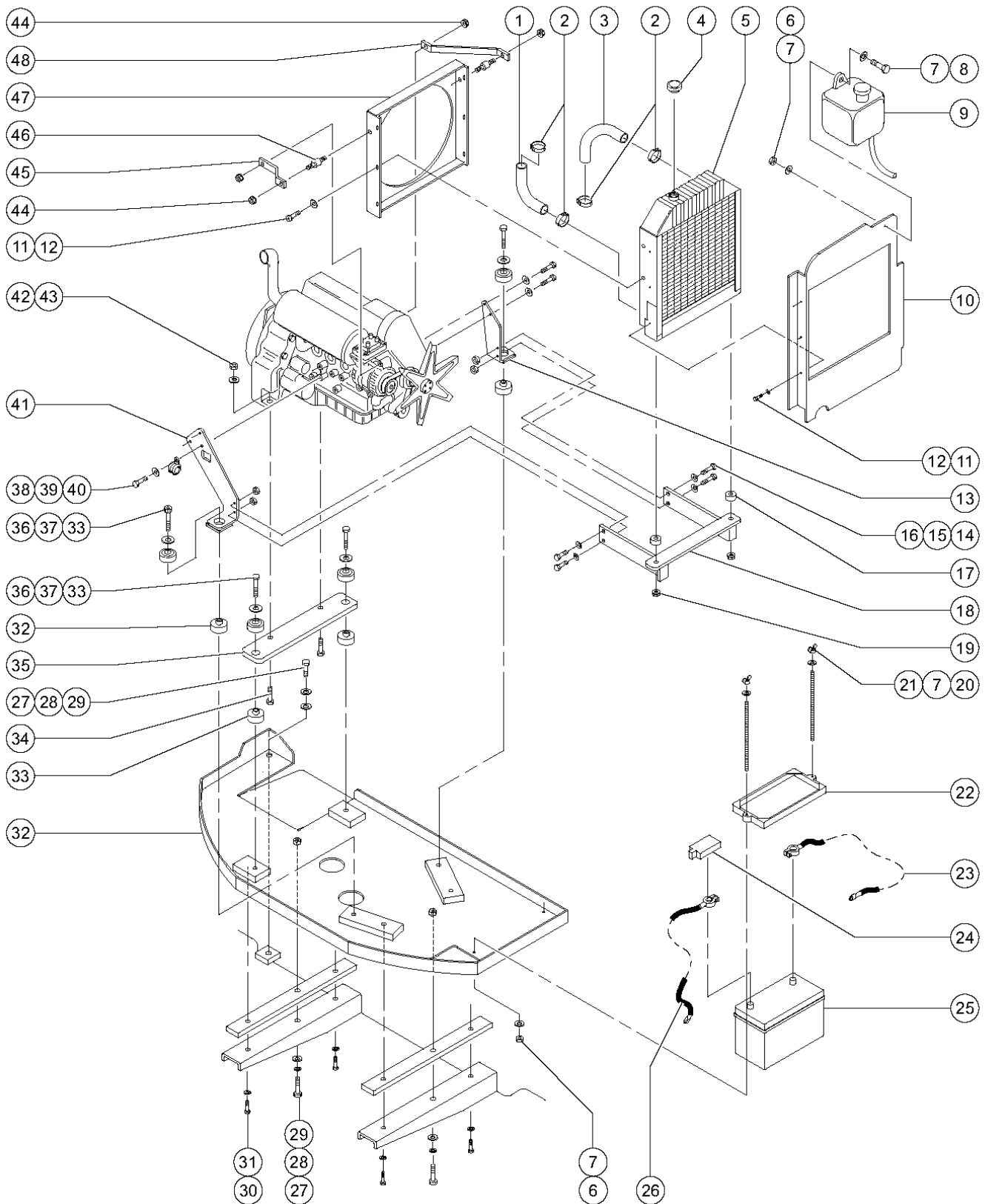
402.1 Ford LRG-425 EFI Engine - View 2



402.1 Ford LRG-425 EFI Engine - View 2

Item	Part No.	Description	Qty.	Item	Part No.	Description	Qty.
--	65770GT	BELT,TIMING,FORD LRG423/425EFI		--	53962GT	SEAL KIT,LIFT PUMP (53961)***.....1 <i>use with pump 53961</i>	1
1	94922GT	KIT,FORD EFI UPDATE,BASE***.....1	1	--	77990GT	KIT,SEAL,3CC PUMP***.....1	1
2	6888GT	SCREW,HHC,1/4-20 X 1.....4	4	31	29436GT	O-RING***.....1	1
3	6356GT	WASHER,LOCK,.25.....11	11	32	53964GT	PUMP ASSY, M46+1.0 CU IN LIFT*.....1 <i>includes index numbers 30, 31 and 2 each of index numbers 20 and 28; from SN 2451</i>	1
4	6638GT	WASHER,FLAT,USS,1/4"Y.....7	7	--	22965GT	EDC ASSY,SAUER,M46***.....1	1
5	56912GT	SPRING CLIP,1/4-20,.025-.15X.54,ZAG.....7	7	--	27067GT	SEAL,SHAFT-SUNDSTRAND***.....1	1
6	52592GT	RELAY - LRG425 EFI.....3	3	--	29739GT	SEAL KIT,SAUER-DANFOSS M46***.....1	1
7	6090GT	SCREW,HHC,1/4-20 X .75.....7	7	--	32611GT	SHAFT,M46 15 TOOTH.....1	1
8	27142GT	GASKET,EXHAUST***.....1	1	--	46674GT	PUMP,VAR.PISTON M46 2.8 CIQVP*.....1	1
9	77885GT	MUFFLER,FORD LRG S40-60-80***.....1	1	--	65843GT	SEAL KIT, EDC.....1 <i>use for EDC ASSY 22965</i>	1
10	52564GT	SENSOR,O2,LRG 425 EFI***.....1	1	--	72292GT	O-RING KIT,EDC CONTROLLER.....1 <i>use for EDC ASSY 22965</i>	1
11	65460GT	NUT-FLANGE,7/16-14.....4	4	33	53024GT	SCR,M 10X40 LG HEX FLG. SERR.....2	2
12	28717GT	VALVE,DRAIN,FORD,BLOCK,RAD.....1	1	34	37017GT	HOSE END,90DEG,.63 HS X.25 MPT.....2	2
13	34619GT	BUMPER,RUBBER***.....3	3	35	52762GT	HOSE,WATER INLET,LRG425 EFI.....1	1
14	29616GT	STARTER,ENGINE,FORD LSG/LRG***.....1	1	36	53882GT	WELDMENT,TT COVER SUPPORT,RH	
15	27903GT	HOSE,LOW PRESSURE,.375 ID,BLK		37	30275GT	HOSE ASSEMBLY,LP. 137".....1	1
16	46131GT	CLAMP,HOSE,.63" - 1.0" X .5".....3	3	38	36203GT	ELBOW,90DEG.3/8MPT/5/8 BARB.....1	1
17	36985GT	VALVE,ENGINE OIL DRAIN.....1 <i>includes gasket</i>	1	39	27010GT	VALVE,LOCK OFF,BEAM #FL-418.....1	1
18	33024GT	FLYWHEEL FLANGE,GREEN PLASTIC.....1	1	40	22279GT	REGULATOR,LPG BEAM 60***.....1	1
19	6019GT	SCREW,HHC,3/8-16 X 1.25 GRD 5.....8	8	--	24470GT	REGULATOR DIAPH.KIT BEAM 50/60...1	1
20	6021GT	WASHER,LOCK,.375.....16	16	40A	102119GT	HOSE,3/4,LP.....as needed <i>from regulator to mixer</i>	
21	37002GT	COUPLER,HUB,15 TOOTH 7/16BOLT*.....1	1	41	48473P-SGT	BRACKET,AIR FILTER,FORD GAS PT...1	1
22	25571P-SGT	PLATE,PUMP MOUNT,FORD,PAINTED.....1	1	42	18503GT	NUT,LOCKING-LG.FLANGE,5/16-18....4	4
23		FILTER ASY,M PRESS,SAE8,WOIND* (77139).....1	1	43	219437GT	ISOLATOR, VIBRATION.....2	2
--	20880GT	FILTER ELEMENT-10 MIC.***.....1 <i>for 77139</i>	1	44	58917GT	END CAP,AIR FILTER-27915&49740....1	1
23A	1267807GT	ASSY, MED. PRESS. FILTER, SAE8		45	52658GT	NUT - WING, AIR FILTER, 425EFI.....1	1
--	1268229GT	ELEMENT-5 MIC, PAPER, W/ BYPASS <i>for 1267807</i>		46	27916GT	FILTER,AIR,ELEMENT***.....1	1
24		Ref. Hydraulic Hoses and Fittings (refer to Figure 511.1).....1	1	47	49740GT	AIR CLEANER,FORD EFI***.....1 <i>includes index numbers 44 through 46</i>	1
25	30230P-SGT	FILTER MOUNT BRACKET.....1	1	48	30971GT	CLAMP,HOSE,3.00".....1	1
26	5397GT	WASHER,FLAT,USS,5/16",Y.....2	2	49	53124GT	HOSE,AIR INT.2.5 IDX12" W/450.....1	1
27	6175GT	SCREW,HHC,3/8-16 X 1.....9	9	50	53952GT	BRKT,AIR CLEANER ORIENTATION**.....1	1
28	8177GT	SCREW,HHC,1/2-13 X 1.5.....2	2				
29	6033GT	WASHER,LOCK,0.5".....2	2				
30	53961GT	PUMP,LIFT 1.025 C.I.***.....1 <i>from SN 2451, use in place of previous pump 31248</i>	1				
--	31249GT	SEAL KIT,LIFT PUMP**.....1 <i>use with pump 31248</i>	1				

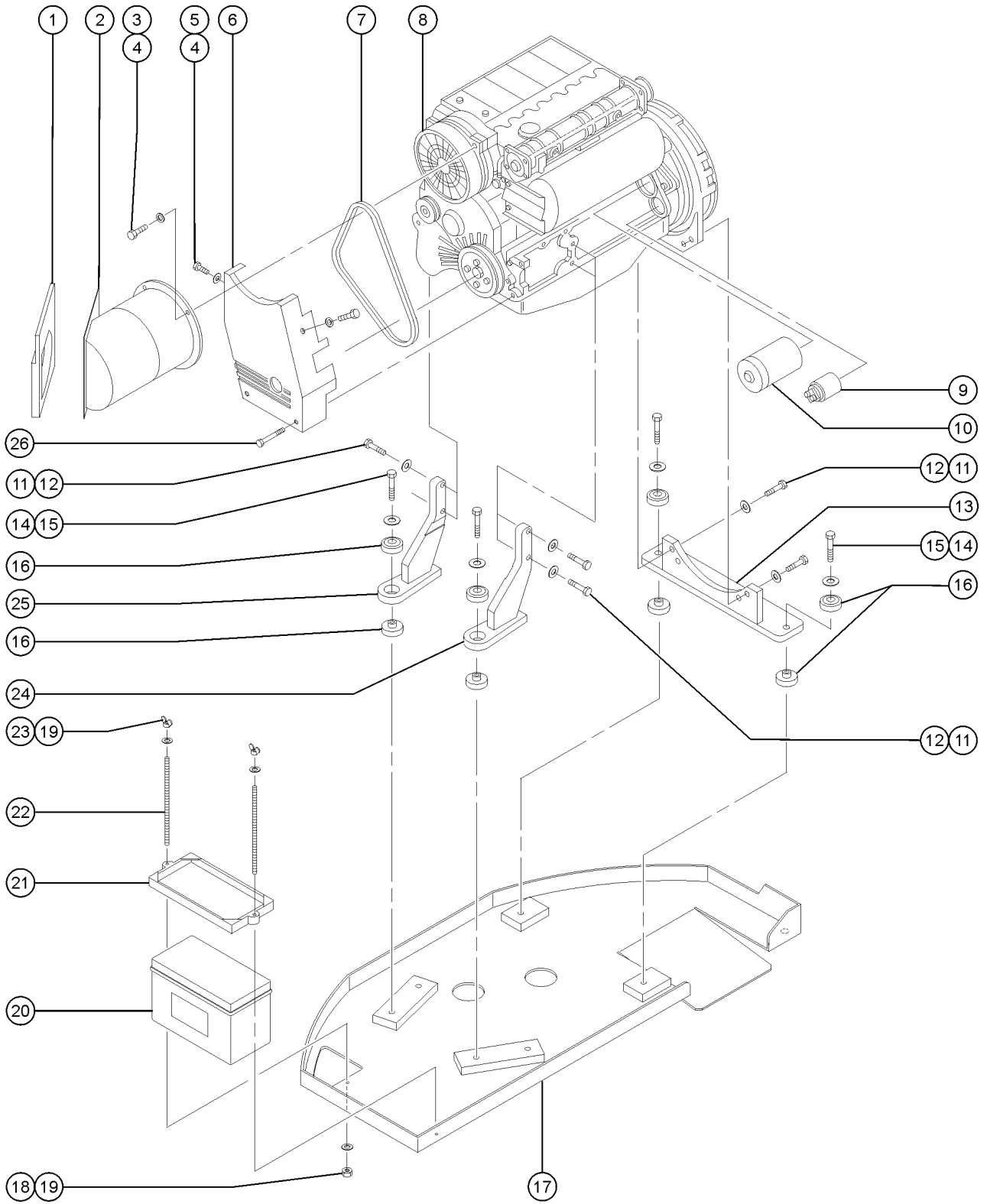
403.1 Ford LRG-425 EFI Engine - View 3



403.1 Ford LRG-425 EFI Engine - View 3

Item	Part No.	Description	Qty.	Item	Part No.	Description	Qty.
1	77170GT	HOSE,LOWER RADIATOR,Z45.....	1	39	6021GT	WASHER,LOCK,.375.....	5
2	22672GT	CLAMP,HOSE,1.75.....	4	40	32339GT	CLAMP,1.75,#28 X 3/8,RUB CUSH*.....	1
3		Ref. HOSE, UPPER RADIATOR.....	1	41	53290-SGT	WELDMENT,RH,ENGINE MOUNT.....	1
		<i>refer to 401.1</i>		42	6086GT	NUT,LP NYLOCK,1/2-13.....	2
4	27943GT	CAP,RADIATOR,FORD***.....	1	43	6095GT	WASHER,FLAT,USS,1/2",Y.....	2
5	28717GT	VALVE,DRAIN,FORD,BLOCK,RAD.....	1	44	18503GT	NUT,LOCKING-LG.FLANGE,5/16-18.....	4
5	33969GT	RADIATOR,FORD,LRG.....	1	45	34942P-SGT	STRUT,RH,FORD RADIATOR,PAINT.....	1
6	6091GT	NUT,NYLOCK,1/4-20.....	3	46	219437GT	ISOLATOR, VIBRATION.....	2
7	6638GT	WASHER,FLAT,USS,1/4"Y.....	6	47	34927P-SGT	SHROUD,RADIATOR LRG 423 BLUE**.....	1
8	6888GT	SCREW,HHC,1/4-20 X 1.....	1	48	34943P-SGT	MOUNT,RAD.SUPPT,LH,BLUE.....	1
9	1279268GT	BOTTLE, COOLANT RECOVERY, 2QT.....	1				
		<i>includes Hose</i>					
--	72327GT	CAP, COOLANT RET SYS(54071).....	1				
10	53528-SGT	SHROUD, FORD RADIATOR, BLUE.....	1				
11	35460GT	SCREW,PHM,8-32X.38,SELF TAP.....	9				
12	35461GT	WASHER,FLAT,MS,#8,Y.....	9				
13	53425-SGT	WELDMENT,RH,ENGINE MOUNT.....	1				
14	8516GT	SCREW, HCC, 3/8-16 X 1.50.....	4				
15	6097GT	WASHER,FLAT,USS,3/8",Y.....	4				
16	4828GT	NUT,NYLOCK,3/8-16.....	4				
17	24038GT	SHOCK MOUNT,SMALL.....	2				
18	34929-SGT	WELDMENT,RADIATOR MOUNT LRG423.....	1				
19	48425GT	NUT,FLG-LRG,3/8-16,YZ.....	2				
20	8170GT	NUT,WING,1/4-20.....	2				
21	30784-975GT	THREADED ROD,(1/4-20),9.75.....	2				
22	30144GT	BATTERY HOLD DOWN,GROUP 31.....	1				
23	T113653GT	CABLE ASSY,2/0,NEG,BLK,72.....	1				
24	18189GT	BOOT,BATTERY TERMINAL,RED.....	1				
25	30143GT	BATTERY,12V,1000 CCA GRP 31.....	1				
26	T113655GT	COUPLING, 28MM (106113).....	1				
27	29883GT	SCREW,HHC,5/8-11 X 1.75 GRD.8.....	3				
28	6036GT	WASHER,LOCK,.625 PLTD.....	3				
29	13064GT	WASHER,FLAT,625 HARDENED.....	3				
30	6090GT	SCREW,HHC,1/4-20 X .75.....	4				
31	6356GT	WASHER,LOCK,.25.....	4				
32	75650-SGT	WELDMENT PLATE ENGINE TANK.....	1				
33	28076GT	ISOLATOR,VIBRATION,LG,RD&WH***					
34	6096GT	SCREW,HHC,1/2-13 X 2 GR5.....	2				
35	28234P-SGT	PLATE,ENGINE MOUNT,PAINTED.....	1				
36	21175GT	SCREW,SHC,5/8-11 X 4,A574.....	4				
37	33418GT	WASHER,FLAT,625 X 2.25 X.15.....	4				
38	27034GT	SCREW,HHC,M10 X 25MM,GR 8.8.....	5				

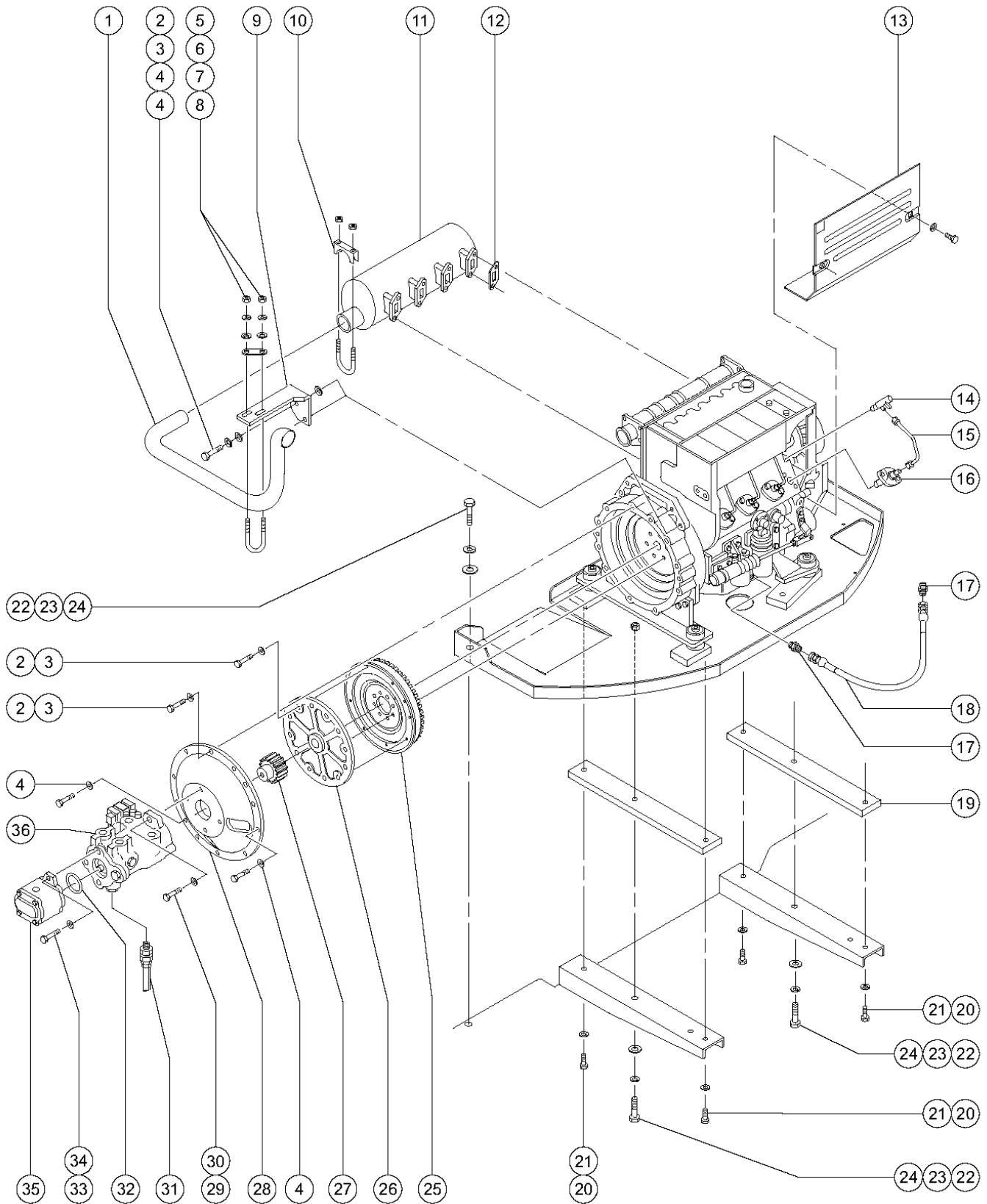
404.1 Deutz F4L 1011F Diesel Engine - View 1



404.1 Deutz F4L 1011F Diesel Engine - View 1

Item	Part No.	Description	Qty.
--	160550GT	KIT, 500 HR, DEUTZ TURBO <i>every 500 hr service kit</i>	
--	89453GT	HARNESS,ENGINE,DEUTZ,Z60,2002*	
1	53715GT	FOAM GASKET,AIR INTAKE.....	1
2	30483PGT	WELDMENT,HEAT SHIELD PAINTED....	1
--	33060PGT	WELDMENT,AIR INTAKE TUBE,BLUE... <i>from SN 1090</i>	1
3	32309GT	SCREW,HHC,M8 X 60MM X 1.25.....	2
4	33277GT	WASHER,FLAT,M8,YELLOW ZINC.....	4
5	23057GT	SCREW,HHC,M8 X 20MM.....	2
6	29555GT	COVER,FRONT DEUTZ ENGINE..... <i>includes 2 each index number 4, 5 and 26</i>	1
7	32698GT	BELT,V, DEUTZ DIESEL ENGINE.....	1
8	35586GT	ALTERNATOR, DEUTZ F3L10/F4L10*	
9	49915GT	SOLENOID-STARTR DEUTZF4L1011F*.....	1
10	37950GT	STARTER,DEUTZ,F4L1011F/F3L1011... <i>11 tooth; inspect old starter before ordering (includes item 9)</i>	1
--	139709GT	STARTER, 12V <i>9 tooth; inspect old starter before ordering (includes item 9)</i>	
11	34265GT	SCREW,HHC,M14 X 55.....	8
12	37505GT	WASHER,LOCK,M14.....	8
13	29550GT	WELDMENT,DEUTZ ENGINE MOUNT...1	
14	21175GT	SCREW,SHC,5/8-11 X 4,A574.....	4
15	33418GT	WASHER,FLAT,625 X 2.25 X.15.....	4
16	28076GT	ISOLATOR,VIBRATION,LG,RD&WH***...4	
17	65650-SGT	Weldment - Engine Tray.....	1
18	6091GT	NUT,NYLOCK,1/4-20.....	2
19	6638GT	WASHER,FLAT,USS,1/4"Y.....	4
20	30143GT	BATTERY,12V,1000 CCA GRP 31.....	1
21	30144GT	BATTERY HOLD DOWN,GROUP 31.....	1
22	30784-975GT	THREADED ROD,(1/4-20),9.75.....	2
23	8170GT	NUT,WING,1/4-20.....	2
24	32748GT	WELMENT,DEUTZ ENGINE MOUNT....1	
25	32749GT	WELDMENT,DEUTZ ENGINE MOUNT...1	
26	49401GT	SCREW,HHC,M8 X 100.....	2

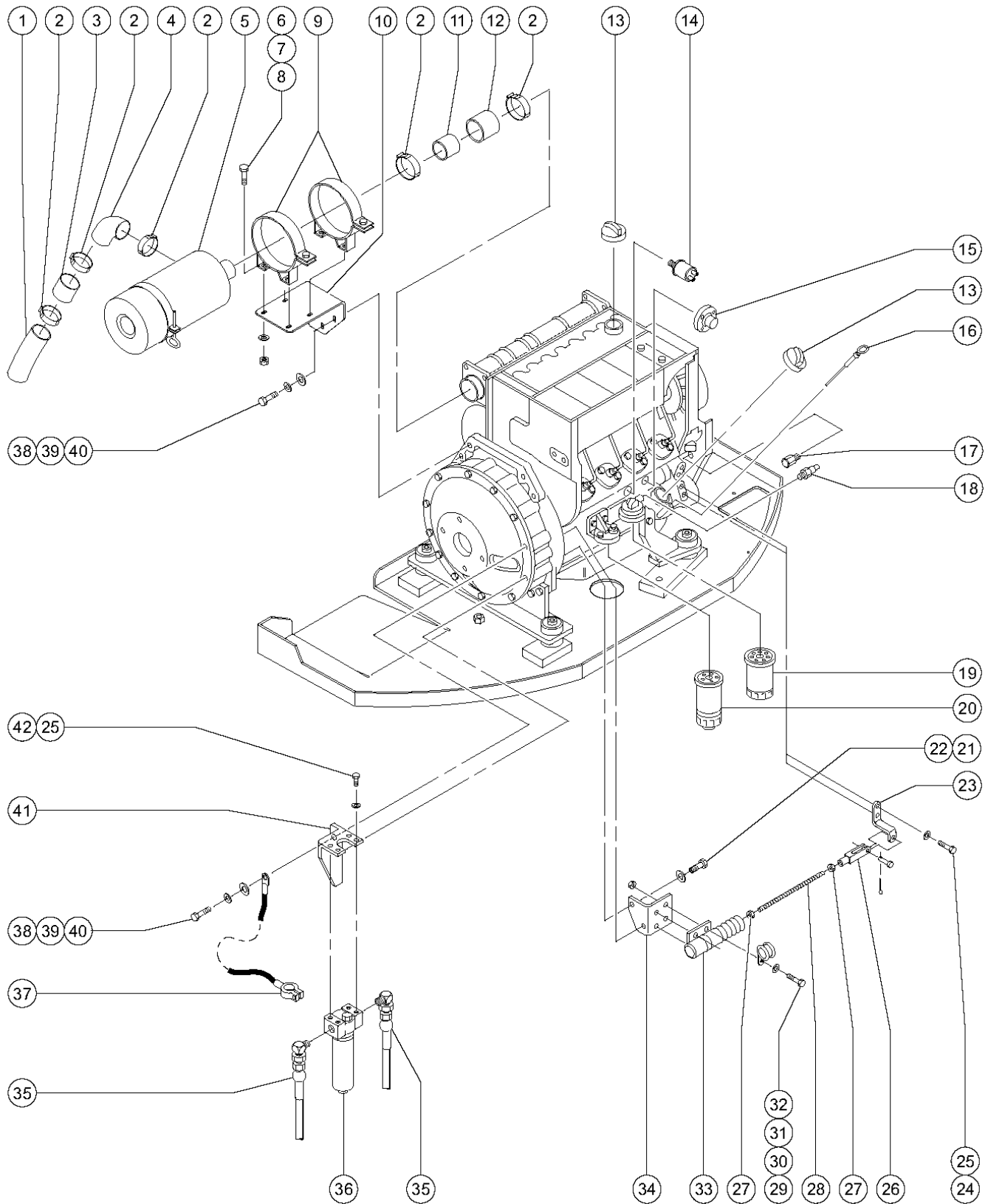
405.1 Deutz F4L 1011F Diesel Engine - View 2



405.1 Deutz F4L 1011F Diesel Engine - View 2

Item	Part No.	Description	Qty.	Item	Part No.	Description	Qty.
1	30493GT	EXHAUST, TAILPIPE, DEUTZ, Z60.....	1	27	37003GT	COUPLER, HUB, 15 TOOTH 7/16BOLT*.....	1
2	44064GT	SCREW, HHC, M10 X 30MM,.....	19	28	30806GT	FLYWHEEL COVER, CASTING***.....	1
3	22700GT	WASHER, LOCK, M10.....	19	29	8177GT	SCREW, HHC, 1/2-13 X 1.5.....	2
4	6097GT	WASHER, FLAT, USS, 3/8", Y.....	6	30	6033GT	WASHER, LOCK, 0.5".....	2
5	6037GT	NUT, HEX, 5/16-18, GR5.....	2	31		Ref. Hydraulic Hoses and Fittings (refer to Figure 511.1).....	2
6	6886GT	WASHER, LOCK, .313.....	2	32	29436GT	O-RING***.....	1
7	6638GT	WASHER, FLAT, USS, 1/4"Y.....	2	33	6175GT	SCREW, HHC, 3/8-16 X 1.....	2
8	16584GT	U-BOLT, KIT 5/16-18 X 2.5 *** <i>includes index number 5</i>	1	34	6021GT	WASHER, LOCK, .375.....	2
9	27329P-SGT	BRACKET, EXHAUST SUPPORT, PAINTD.....	1	35	53961GT	PUMP, LIFT 1.025 C.I.***.....	1
10	30438GT	CLAMP, MUFFLER, 2 1/4" ID..... <i>includes nuts</i>	1	--	31249GT	SEAL KIT, LIFT PUMP** <i>for pump 31248 (pump no longer available)</i>	1
11	29558GT	MUFFLER**.....	1	--	77990GT	KIT, SEAL, 3CC PUMP*** <i>for pump 53961</i>	1
--	53867GT	SCRUBBER MUFFLER, DEUTZ, F4L1011.....	1	36	53964GT	PUMP ASSY, M46+1.0 CU IN LIFT*..... <i>includes index numbers 32-35; from SN 2451</i>	1
12	29559GT	GASKET, EXHAUST.....	4	--	22965GT	EDC ASSY, SAUER, M46***.....	1
13	49916GT	COVER - DEUTZ F4L1011F..... <i>includes mounting fasteners</i>	1	--	27067GT	SEAL, SHAFT-SUNDSTRAND***.....	1
14	49919GT	INJECTOR - DEUTZ F4L1011F..... <i>Non EPA Models</i>	1	--	29739GT	SEAL KIT, SAUER-DANFOSS M46***.....	1
--	65458GT	INJECTOR-FUEL(F4L 1011F-EPA)..... <i>EPA Models</i>	1	--	32611GT	SHAFT, M46 15 TOOTH.....	1
15	49921GT	FUEL LINE INJ. DEUTZ F4L1011F.....	4	--	46674GT	PUMP, VAR. PISTON M46 2.8 CIQVP*.....	1
16	49929GT	INJECTOR PUMP - DEUTZ F4L1011F... <i>Non EPA Models</i>	1	--	53964GT	PUMP ASSY, M46+1.0 CU IN LIFT*.....	1
--	65459GT	PUMP-INJECTOR (F4L 1011F-EPA)..... <i>EPA Models</i>	1	--	58289GT	VALVE, EDC, PILOT, SAUER, M46..... <i>use for EDC ASSY 22965</i>	1
17	48916GT	CONN, 520120-6.....	2	--	65843GT	SEAL KIT, EDC..... <i>use for EDC ASSY 22965</i>	1
18	49135-339 SGT	HOSE ASSY 3/8".....	1	--	72292GT	O-RING KIT, EDC CONTROLLER..... <i>use for EDC ASSY 22965</i>	1
		1		Footnotes			
19	30271GT	PAD, ENGINE SLIDE.....	2	1: Hose End - Female, Swivel, ORFS (Parker No. 1JC43-6), Hose End - Female, Swivel, 90°, ORFS (Parker No. 1JC43-8-6) and Hose, 3/8 inch (Parker No. 451TC-6)			
20	6090GT	SCREW, HHC, 1/4-20 X .75.....	4				
21	6356GT	WASHER, LOCK, .25.....	4				
22	29883GT	SCREW, HHC, 5/8-11 X 1.75 GRD.8.....	3				
23	6036GT	WASHER, LOCK, .625 PLTD.....	3				
24	13064GT	WASHER, FLAT, .625 HARDENED.....	3				
25	49917GT	RING GEAR, DEUTZ F3 & F4L1011F*... <i>(please verify ring gear thickness) 0.46 inches</i>	1				
--	33729GT	RING GEAR, DEUTZ F3 & F4L1011*..... <i>(please verify ring gear thickness) 0.365 inches</i>	1				
--	89785GT	RING GEAR, DEUTZ F3L2011F..... <i>(please verify ring gear thickness) 0.6 inches</i>	1				
26	33024GT	FLYWHEEL FLANGE, GREEN PLASTIC.....	1				

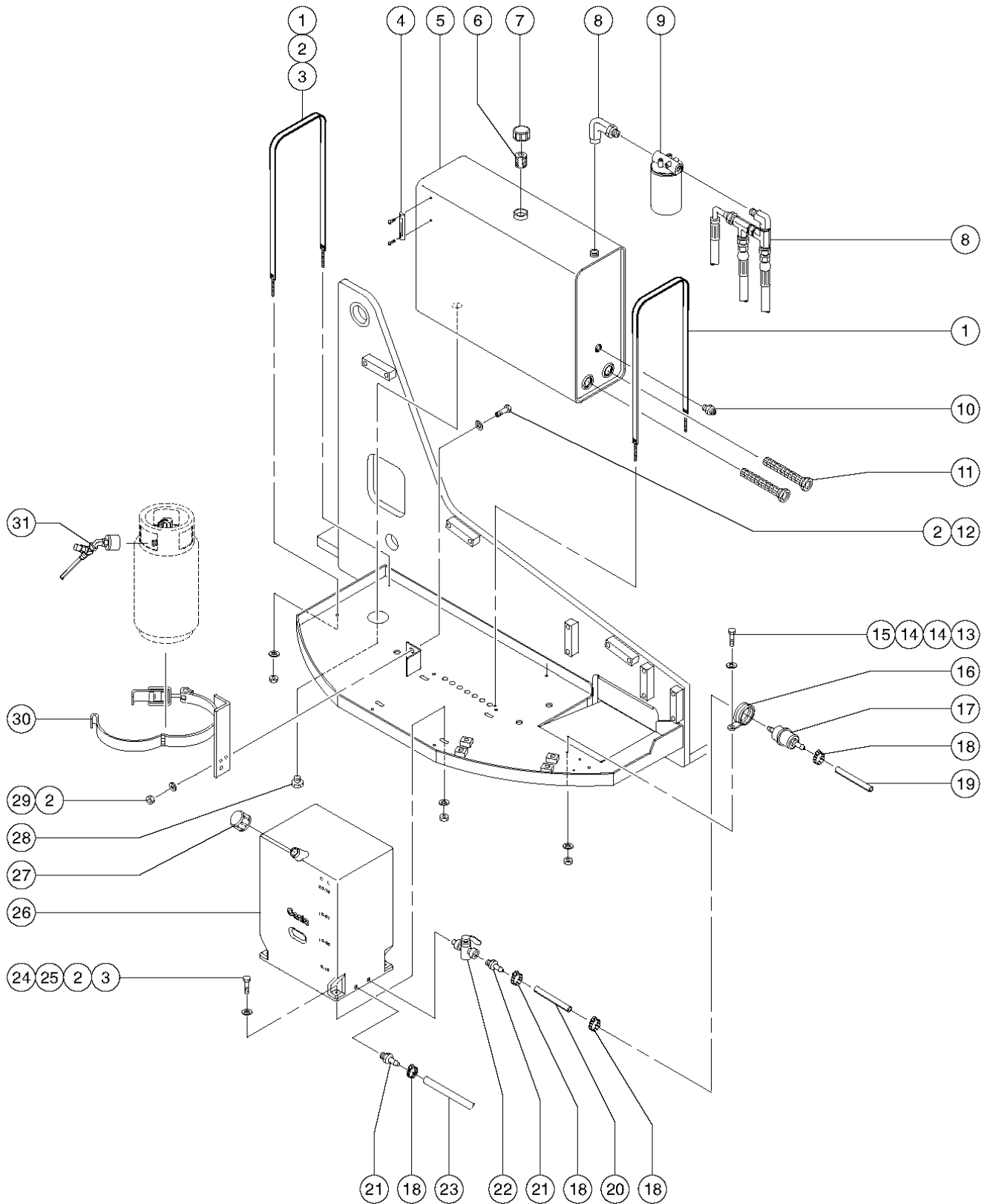
406.1 Deutz F4L 1011F Diesel Engine - View 3



406.1 Deutz F4L 1011F Diesel Engine - View 3

Item	Part No.	Description	Qty.	Item	Part No.	Description	Qty.
1	34162-1900GT	HOSE,AIR INTAKE,2.50IDX19.00".....1	1	--	1255653GT	FILTER,OIL,DEUTZ,REPLACEMENT.....1 <i>Genie Aftermarket Part. Compatible with Genie Genuine Part 49924.</i>	1
2	45435GT	CLAMP,HOSE,2.50"***.....5	5	20	29560GT	FILTER,FUEL/WTR SEP, DTZ 1008.....1 <i>Genie Genuine Part. See PN 1254826 for compatible aftermarket replacement.</i>	1
3	35067-200GT	TUBE, RD, ALUM, 2.5 X .083 X 2.00.....1	1	--	1254826GT	FUEL FILTER W/SEP,DEUTZ,1008.....1 <i>Genie Aftermarket Part. Filter for Deutz F3L 1011F Engine.</i>	1
4	34164GT	ELBOW,90 DEGR,RUBBER,2.5" I.D.*.....1	1	21	23057GT	SCREW,HHC,M8 X 20MM.....2	2
5	27915GT	AIR CLEANER.....1 <i>to SN 3230, does NOT include mounting bands</i>	1	22	6886GT	WASHER,LOCK,.313.....2	2
--	27916GT	FILTER,AIR,ELEMENT***.....1 <i>to SN 3230</i>	1	23	33240P-SGT	BRACKET,ACTUATOR ARM MTG,PTD.....1	1
--	52866GT	EVACUATOR VALVE-AIR CLEANER		24	22578GT	SCREW,HHC,M6 X 20MM,GR8.8.....2	2
--	53952GT	BRKT,AIR CLEANER ORIENTATION**		25	6356GT	WASHER,LOCK,.25.....6	6
--	58415GT	CLIP,AIR CLEANER END CAP*** <i>end cap not available separately</i>		26	21130GT	CLEVIS YOKE-1/4-28,PLTD W/PIN.....1	1
--	58917GT	END CAP,AIR FILTER-27915&49740.....1 <i>to SN 3230</i>	1	27	21496GT	NUT,HEX,1/4-28.....2	2
--	62420GT	FILTER,AIR***		28	30785-1500GT	THREADED ROD,1/4-28 X 15 IN***.....1	1
--	63463GT	AIR CLEANER,NELSON***.....1 <i>plastic housing (from SN 3231)</i>	1	29	6888GT	SCREW,HHC,1/4-20 X 1.....4	4
--	65810GT	BAFFLE, AIR CLEANER (27915)**		30	6638GT	WASHER,FLAT,USS,1/4"Y.....4	4
--	65815GT	CLAMP, AIR CLEANER (27915)**.....1 <i>clamp that holds the end cap on</i>	1	31	6833GT	CLAMP,0.50,#8 X 1/4,RUB CUSH.....2	2
6	6175GT	SCREW,HHC,3/8-16 X 1.....4	4	32	6091GT	NUT,NYLOCK,1/4-20.....4	4
7	6097GT	WASHER,FLAT,USS,3/8",Y.....4	4	33	29073GT	SOLENOID,THROTTLE,.....1	1
8	7713GT	NUT, LP NYLOCK, 3/8-16.....4	4	--	52537GT	BOOT,SOLENOID,29073.....1	1
9	53952GT	BRKT,AIR CLEANER ORIENTATION**.....2	2	34	33241P-SGT	BRACKET,SOLENOID MTG,PAINTED....1	1
10	30769P-SGT	BRACKET,AIR CLEANER MTG.PAINT...1 <i>to SN 3230</i>	1	35		Ref. Hydraulic Hoses and Fittings (refer to Figure 511.1).....1	1
--	53952GT	BRKT,AIR CLEANER ORIENTATION**.....1 <i>from SN 3231</i>	1	36		FILTER ASY,M PRESS,SAE8,WOUND* (77139).....1 <i>component no longer available</i>	1
11	30966GT	HOSE,AIR INTAKE 2.25" I.D.....1	1	--	20880GT	FILTER ELEMENT-10 MIC.***.....1 <i>for 77139</i>	1
12	30967GT	HOSE,AIR INTAKE 2.75" I.D.***.....1	1	--	58222GT	O-RING,FILTER ASSY (60334)***.....1 <i>for 77139</i>	1
13	29557GT	CAP,OIL FILLER,DEUTZ,DIESEL ***.....2	2	--	60857GT	FILTER,ELEMENT,BETA(5)=1000.....1 <i>for 77139</i>	1
14	29565GT	SWITCH/SENDER, OIL TEMPERATURE.....1	1	36A	1267807GT	ASSY, MED. PRESS. FILTER, SAE8	
15	49923GT	PUMP, FUEL LIFT, F4L1011F.....1	1	--	1268229GT	ELEMENT-5 MIC, PAPER, W/ BYPASS <i>for 1267807</i>	
16	49922GT	DIPSTICK - DEUTZ F4L1011F.....1	1	37	122058GT	BATTERY CABLE,1/0 GA,BLK 30".....1	1
17	T114678GT	SHUTDOWN SOLENOID,12V, DEUTZ....1 <i>(must order cable assembly, 58256, if replacing 32752) (includes o-ring)</i>	1	38	44064GT	SCREW,HHC,M10 X 30MM,.....4	4
--	45782GT	DIODE,6 AMP,200 PIV,BULK		39	22700GT	WASHER,LOCK,M10.....4	4
--	58256GT	SOLENOID CABLE ASSY***		40	6097GT	WASHER,FLAT,USS,3/8",Y.....4	4
--	72255GT	CONNECTOR, DEUTZ FUEL SHUTOFF* <i>(does not include diode, 45782)</i>		41	30230P-SGT	FILTER MOUNT BRACKET.....1	1
18	34059GT	SENDING UNIT,OIL TEMP.....1	1	42	6090GT	SCREW,HHC,1/4-20 X .75.....4	4
19	49924GT	FILTER,OIL,DEUTZ F4L1011F.....1 <i>Genie Genuine Part. See PN 1255653 for compatible aftermarket replacement.</i>	1				

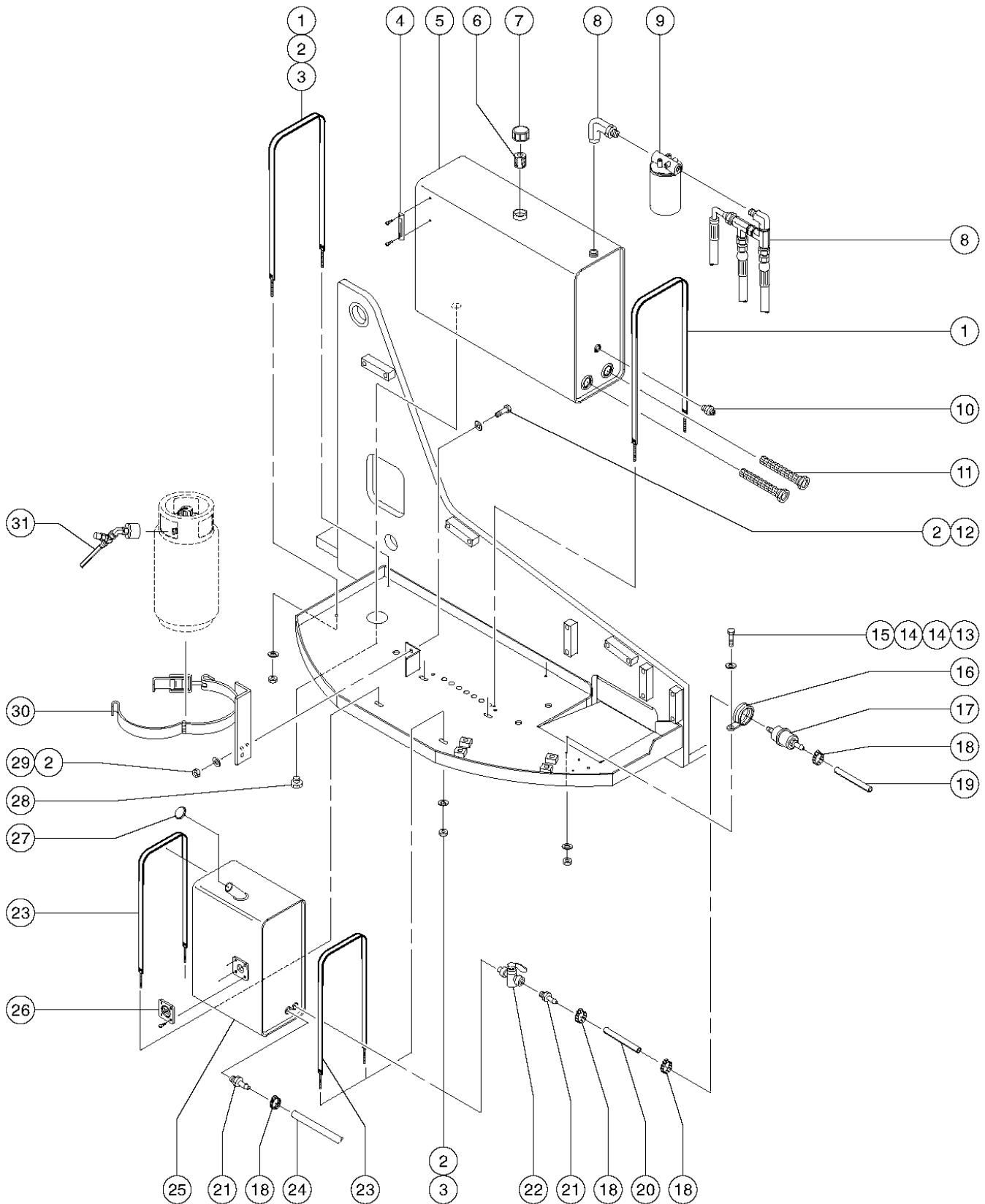
501.1 Hydraulic and Fuel Tanks - Ford Models (with plastic fuel tank)



501.1 Hydraulic and Fuel Tanks - Ford Models (with plastic fuel tank)

Item	Part No.	Description	Qty.
1	31524GT	STRAP ASSY,TANK, 66 INCH.....	2
--	31658-SGT	EXTRUSION,RUBBER BUMPER STRIP.....20-inches <i>qty. 1 req'd</i>	
2	5397GT	WASHER,FLAT,USS,5/16",Y.....	14
3	4828GT	NUT,NYLOCK,3/8-16.....	8
4	21141GT	GAUGE-SIGHT,LHA-LGTB***..... <i>included with tank</i>	1
5	53353GT	TANK,HYDRAULIC,45 GALLON***..... <i>includes index numbers 4, 6, 7, 11 and 28</i>	1
6	31506GT	STRAINER,FILLER NECK.....	1
7	53527GT	CAP,FILLER BREATHER,3 MICRON**.....	1
8		Ref. Hydraulic Hoses and Fittings (refer to Figure 511.1).....	1
9	48470GT	FILTER ASSEMBLY W/IND L,PAPER.....	1
--	46014GT	FILTER,ELEMENT,BETA(6)=200.....	1
10	48922GT	CONN,520102-6-6.....	1
11	45161GT	STRAINER ASSEMBLY,1.5" NPT.....	2
12	6175GT	SCREW,HHC,3/8-16 X 1.....	3
13	6090GT	SCREW,HHC,1/4-20 X .75.....	1
14	6638GT	WASHER,FLAT,USS,1/4"Y.....	2
15	6889GT	NUT,LP NYLOCK,1/4-20.....	1
16	45455GT	CLAMP,2.75,#44 X 1/4,RUB CUSH*.....	1
17	52179GT	FILTER, FUEL LRG 425/423 EFI.....	1
18	21465GT	CLAMP,HOSE,.25" - .63" X .3125.....	1
19	27089GT	HOSE,5/16 FUEL,SAE 30R7	
20	27089GT	HOSE,5/16 FUEL,SAE 30R7	
21	53023GT	FITTING,1/4 MPT 5/16 BARB.....	2
22	19487GT	VALVE, FUEL LOCK.....	1
23	27089GT	HOSE,5/16 FUEL,SAE 30R7	
24	8178GT	SCREW,HHC,3/8-16 X 2.5.....	4
25	6097GT	WASHER,FLAT,USS,3/8",Y.....	4
26	65610-SGT	FUEL TANK ASSY W/CAP, 20 GAL.....	1
27	101727GT	CAP,FUEL,GAS,1/8"VENT(RED).....	1
28	31507GT	PLUG,SQUARE HEAD,3/4 MPT.....	1
29	7713GT	NUT, LP NYLOCK, 3/8-16.....	3
30	53120-SGT	LP.TANK BRACKET TALL W/LDMNT.....	1
31	53605GT	TANK, 7 GAL/33.5 POUND, LP.....	1
32	30275GT	HOSE ASSEMBLY,LP. 137".....	1

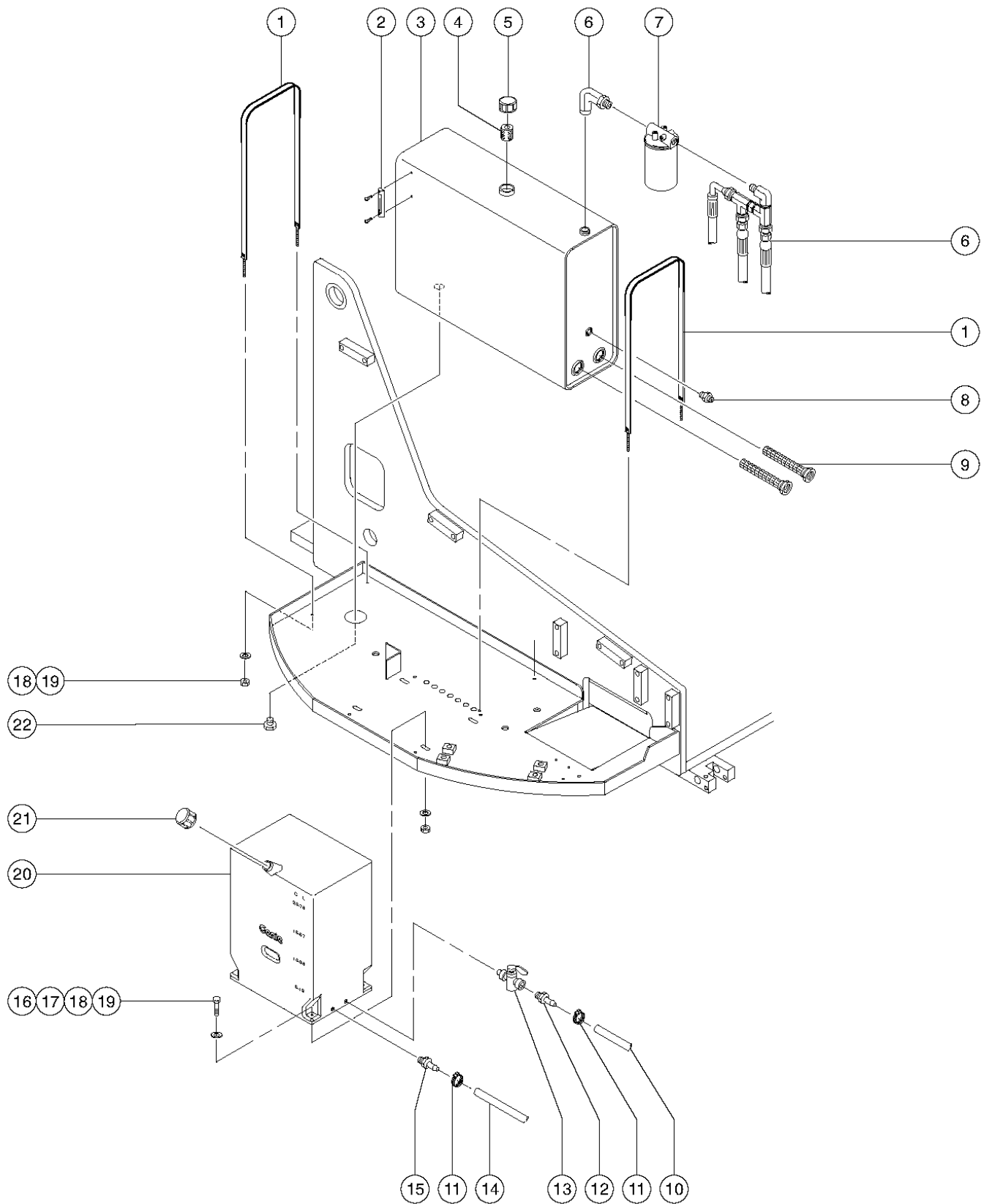
502.1 Hydraulic and Fuel Tanks - Ford Models (with metal fuel tank)



502.1 Hydraulic and Fuel Tanks - Ford Models (with metal fuel tank)

Item	Part No.	Description	Qty.
1	30179GT	TANK STRAP,BOLT STYLE,62".....2 <i>to SN 2539</i>	
--	31524GT	STRAP ASSY,TANK, 66 INCH <i>from SN 2540</i>	
--	31658-SGT	EXTRUSION,RUBBER BUMPER STRIP <i>to SN 2539</i>	
2	5397GT	WASHER,FLAT,USS,5/16",Y.....14	
3	4828GT	NUT,NYLOCK,3/8-16.....8	
4	21141GT	GAUGE-SIGHT,LHA-LGTB***.....1 <i>included with tank</i>	
5	53353GT	TANK,HYDRAULIC,45 GALLON***.....1 <i>includes index numbers 4, 6, 7, 10 and 11</i>	
6	31506GT	STRAINER,FILLER NECK.....1	
7	53527GT	CAP,FILLER BREATHER,3 MICRON**....1	
8		Ref. Hydraulic Hoses and Fittings (refer to Figure 511.1).....1	
9	48470GT	FILTER ASSEMBLY W/IND L,PAPER....1	
--	46014GT	FILTER,ELEMENT,BETA(6)=200.....1	
10	48922GT	CONN,520102-6-6.....1	
11	45161GT	STRAINER ASSEMBLY,1.5" NPT.....2	
12	6175GT	SCREW,HHC,3/8-16 X 1.....3	
13	6090GT	SCREW,HHC,1/4-20 X .75.....1	
14	6638GT	WASHER,FLAT,USS,1/4"Y.....2	
15	6889GT	NUT,LP NYLOCK,1/4-20.....1	
16	45455GT	CLAMP,2.75,#44 X 1/4,RUB CUSH*.....1	
17	52179GT	FILTER, FUEL LRG 425/423 EFI.....1	
18	21465GT	CLAMP,HOSE,.25" - .63" X .3125.....4	
19	27089GT	HOSE,5/16 FUEL,SAE 30R7	
20	27089GT	HOSE,5/16 FUEL,SAE 30R7	
21	53023GT	FITTING,1/4 MPT 5/16 BARB.....2	
22	19487GT	VALVE, FUEL LOCK.....1	
23	30179GT	TANK STRAP,BOLT STYLE,62".....2	
--	31658-SGT	EXTRUSION,RUBBER BUMPER STRIP	
24	27089GT	HOSE,5/16 FUEL,SAE 30R7	
25	30546P-SGT	TANK,30 GALLON,PAINTED**.....1	
26	30584GT	GAUGE,FUEL,SIDE MOUNT.....1	
27	28829GT	CAP,FUEL,RED***.....1	
--	58401GT	ASSY,CLIP,SPRING,CHAIN.....1	
28	31507GT	PLUG,SQUARE HEAD,3/4 MPT.....1	
29	7713GT	NUT, LP NYLOCK, 3/8-16.....3	
30	53120-SGT	LP.TANK BRACKET TALL WLDMNT.....1	
31	30275GT	HOSE ASSEMBLY,LP. 137".....1	

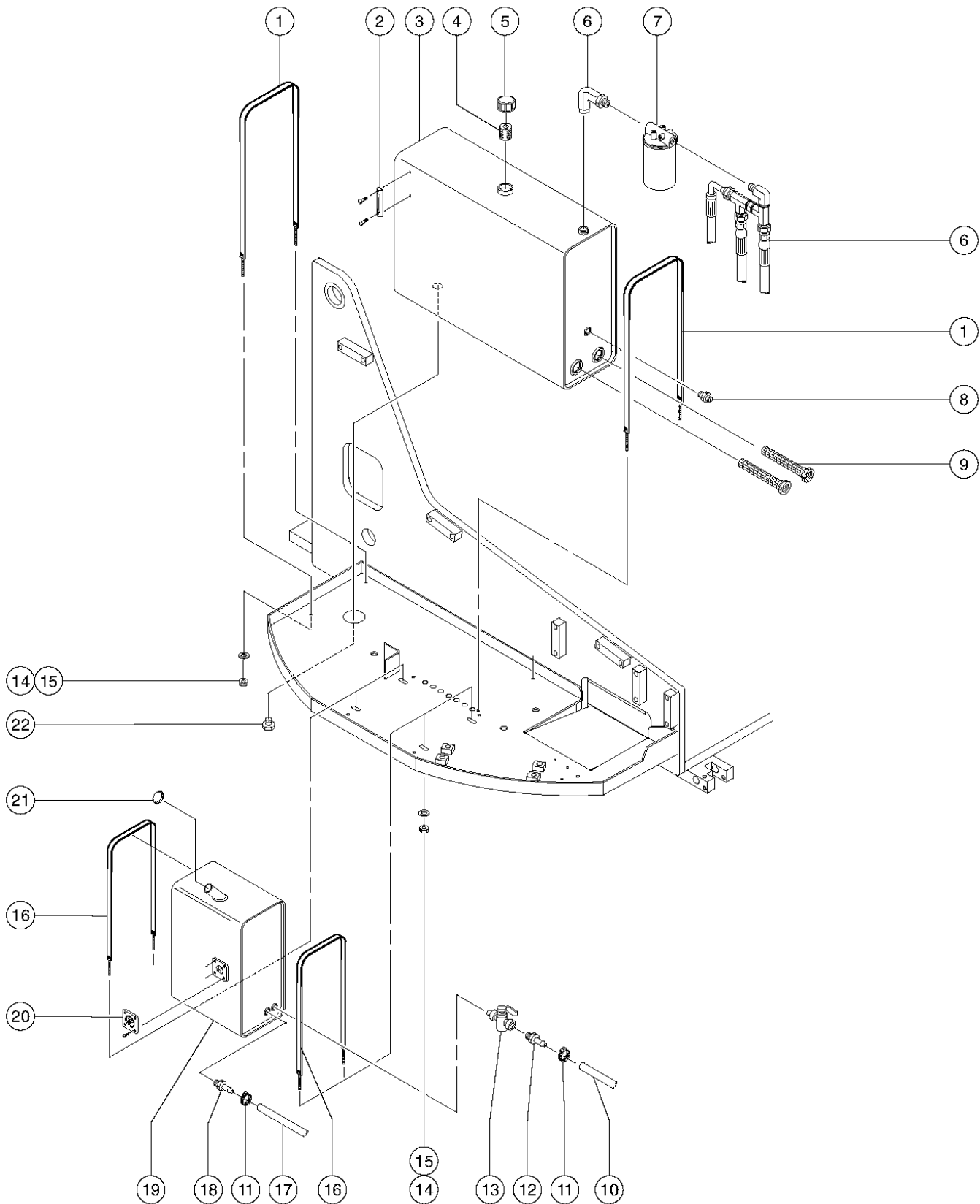
503.1 Hydraulic and Fuel Tanks - Deutz Models (with plastic fuel tank)



503.1 Hydraulic and Fuel Tanks - Deutz Models (with plastic fuel tank)

Item	Part No.	Description	Qty.
1	31524GT	STRAP ASSY,TANK, 66 INCH.....	1
--	31658-SGT	EXTRUSION,RUBBER BUMPER STRIP.....20-inches <i>qty. 1 req'd</i>	
2	21141GT	GAUGE-SIGHT,LHA-LGTB***.....	1
		<i>included with tank</i>	
3	53353GT	TANK,HYDRAULIC,45 GALLON***.....	1
		<i>includes index numbers 2, 5, 7, 10, and 11</i>	
4	31506GT	STRAINER,FILLER NECK.....	1
5	53527GT	CAP,FILLER BREATHER,3 MICRON**.....	1
6		Ref. Hydraulic Hoses and Fittings (refer to Figure 511.1).....	1
7	48470GT	FILTER ASSEMBLY W/IND L,PAPER.....	1
--	46014GT	FILTER,ELEMENT,BETA(6)=200.....	1
8	48922GT	CONN,520102-6-6.....	1
9	45161GT	STRAINER ASSEMBLY,1.5" NPT.....	2
10	27089GT	HOSE,5/16 FUEL,SAE 30R7	
11	21465GT	CLAMP,HOSE,.25" - .63" X .3125.....	1
12	53023GT	FITTING,1/4 MPT 5/16 BARB.....	1
13	19487GT	VALVE, FUEL LOCK.....	2
14	27089GT	HOSE,5/16 FUEL,SAE 30R7	
15	29137GT	HOSE END,MALE.25 X .25 MPT***.....	1
16	8178GT	SCREW,HHC,3/8-16 X 2.5.....	4
17	6097GT	WASHER,FLAT,USS,3/8",Y.....	4
18	5397GT	WASHER,FLAT,USS,5/16",Y.....	8
19	4828GT	NUT,NYLOCK,3/8-16.....	8
20	65611-SGT	FUEL TANK ASSY W/CAP, 20 GAL **.....	8
21	101726GT	CAP,FUEL,DIESEL,1/8"VENT(GRN).....	1
22	31507GT	PLUG,SQUARE HEAD,3/4 MPT.....	1

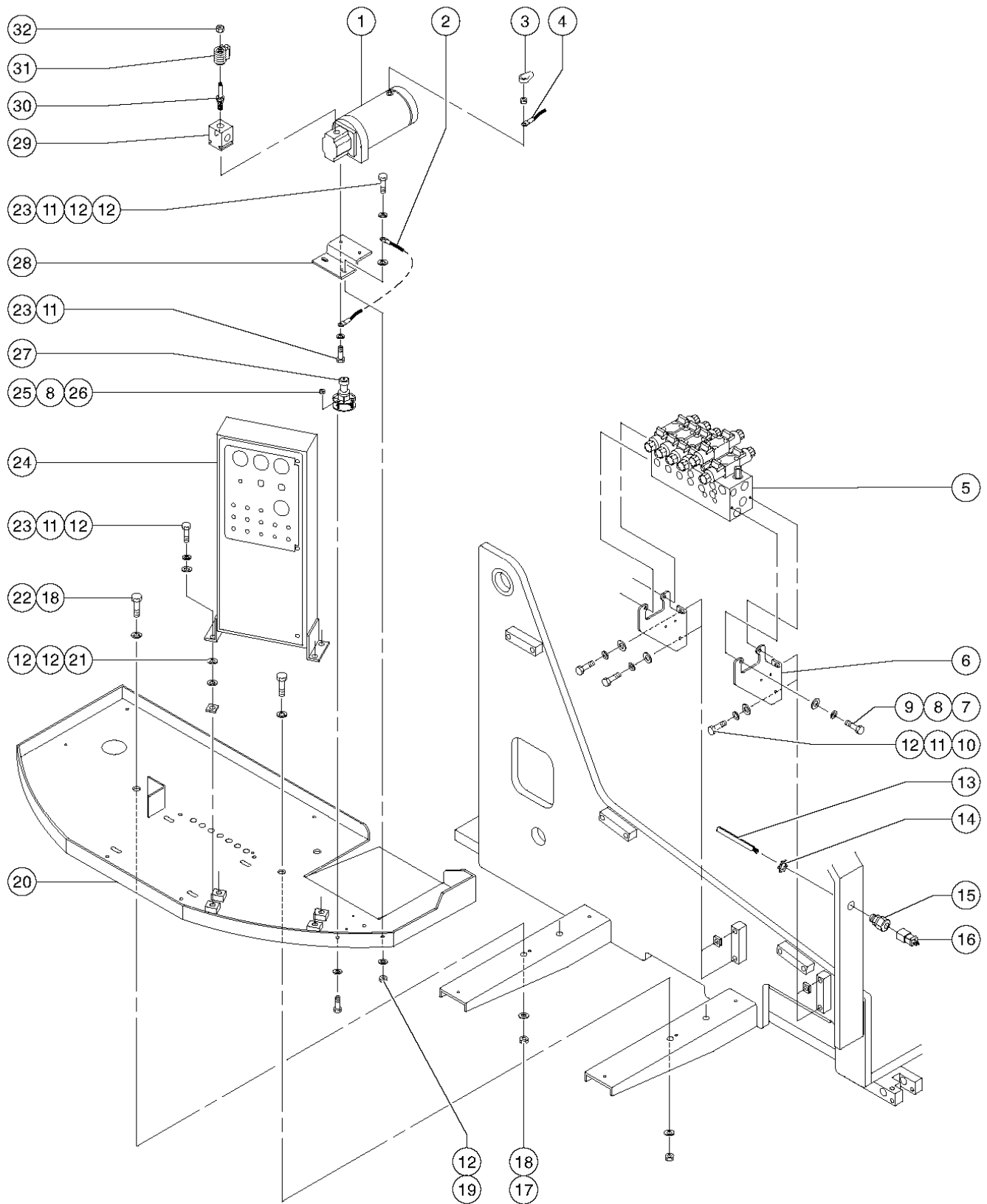
504.1 Hydraulic and Fuel Tank Deutz Models (with metal fuel tank)



504.1 Hydraulic and Fuel Tank Deutz Models (with metal fuel tank)

Item	Part No.	Description	Qty.
1	30179GT	TANK STRAP,BOLT STYLE,62".....2 <i>to SN 2539</i>	
--	31524GT	STRAP ASSY,TANK, 66 INCH <i>from SN 2540</i>	
--	31658-SGT	EXTRUSION,RUBBER BUMPER STRIP <i>to SN 2539</i>	
2	21141GT	GAUGE-SIGHT,LHA-LGTB***.....1	
3	53353GT	TANK,HYDRAULIC,45 GALLON***.....1 <i>includes index numbers 5, 7, 10, and 11</i>	
4	31506GT	STRAINER,FILLER NECK.....1	
5	53527GT	CAP,FILLER BREATHER,3 MICRON**....1	
6		Ref. Hydraulic Hoses and Fittings (refer to Figure 511.1).....1	
7	48470GT	FILTER ASSEMBLY W/IND L,PAPER....1	
--	46014GT	FILTER,ELEMENT,BETA(6)=200.....1	
8	48922GT	CONN,520102-6-6.....1	
9	45161GT	STRAINER ASSEMBLY,1.5" NPT.....2	
10	27089GT	HOSE,5/16 FUEL,SAE 30R7	
11	21465GT	CLAMP,HOSE,,25" - .63" X .3125.....2	
12	53023GT	FITTING,1/4 MPT 5/16 BARB.....1	
13	19487GT	VALVE, FUEL LOCK.....1	
14	4828GT	NUT,NYLOCK,3/8-16.....8	
15	5397GT	WASHER,FLAT,USS,5/16",Y.....8	
16	30179GT	TANK STRAP,BOLT STYLE,62".....2	
--	31658-SGT	EXTRUSION,RUBBER BUMPER STRIP	
17	27089GT	HOSE,5/16 FUEL,SAE 30R7	
18	29137GT	HOSE END,MALE.25 X .25 MPT***.....1	
19	30546P-SGT	TANK,30 GALLON,PAINTED**.....1	
20	30584GT	GAUGE,FUEL,SIDE MOUNT.....1	
21	25567GT	CAP,FUEL,GREEN*.....1	
22	31507GT	PLUG,SQUARE HEAD,3/4 MPT.....1	

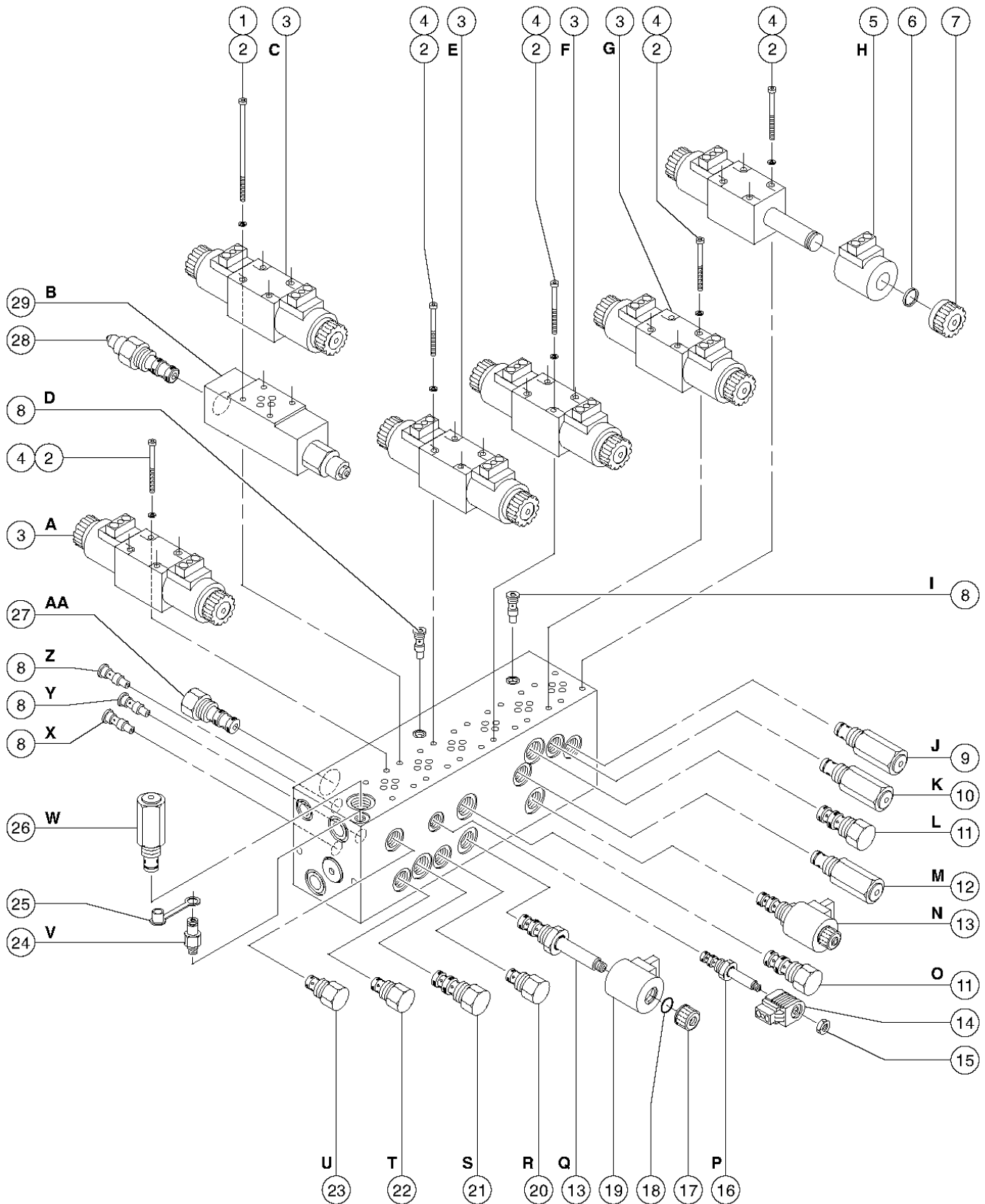
505.1 Function Manifold and Auxiliary Power Unit Installation



505.1 Function Manifold and Auxiliary Power Unit Installation

Item	Part No.	Description	Qty.	Item	Part No.	Description	Qty.
1	89620GT	POWER UNIT,AUX PUMP 12VDC.....1 <i>includes aux pump 58489</i>	1	--	75649GT	WLDMNT,HYDRAULIC TANK MODULE.....1 <i>from SN 3374</i>	1
--	29417GT	PUMP ASSY.(27648)*****1 <i>use with APU 32811</i>	1	21	29868GT	SPRING CLIP,3/8-16,.05-.20X.73,ZAG....8	8
--	29418GT	COUPLER - 27648 POWER UNIT.....1 <i>use with APU 32811</i>	1	22	29883GT	SCREW,HHC,5/8-11 X 1.75 GRD.8.....3	3
--	29428GT	VALVE,CHECK.....1 <i>use with APU 32811</i>	1	23	6175GT	SCREW,HHC,3/8-16 X 1.....4	4
--	29429GT	VALVE,RELIEF.....1 <i>use with APU 32811</i>	1	24		Ref. Ground Controls (refer to Figures 508.1 and 509.1).....4	4
--	37192GT	COUPLER, PUMP / MOTOR (36179).....1 <i>use with APU 75754 and 89620</i>	1	25	6889GT	NUT,LP NYLOCK,1/4-20.....2	2
--	62080GT	MOTOR,12V DC,APU (53236).....1 <i>use with APU 53236</i>	1	26	6090GT	SCREW,HHC,1/4-20 X .75.....2	2
--	62268GT	PUMP, AUX. POWER UNIT.....1 <i>use with APU 75754</i>	1	27A	44586GT	SENSOR,LEVEL 4.5***1 <i>to SN 3813</i>	1
--	75858GT	VALVE,CHECK ASSEMBLY.....1 <i>use with APU 75754 and 89620</i>	1	27B	94077GT	SENSOR,LEVEL,4.5 DEG.....1 <i>from SN 3814</i>	1
--	77069GT	MOTOR,12VDC,77066.....1 <i>use with APU 75754 and 89620</i>	1	--	23083-SGT	FUSE HOLDER,WATERPROOF.....1	1
2	13082GT	WELDING CABLE,#4 EXCELENE/BLK.....61-inches	1	--	27488GT	FUSE,1 AMP.....1	1
3	8910GT	BOOT,CABLE TERM,MED.RED,4/0.....2	2	27C	1260218GT	HARNESS,TILT ALARM,12V.....1 <i>for CSA models from SN 3600</i>	1
4	65612GT	CABLE ASSEMBLY.....1	1	27D	1261449GT	ASSY,RECEP,12V,CSA TILT.....1 <i>for CSA models with 6-pin conector from SN 3600</i>	1
5		Ref. Function Manifold (refer to Figure 506.1).....1	1	28	25855P-SGT	BRACKET,AUX PUMP MOUNT,PAINTED.....1	1
6	30229P-SGT	BRACKET,FUNCTION MANIF,PAINTED.....2	2	29	30369GT	SOLENOID VALVE,N.C. 2POS. 3WAY.....1 <i>includes index numbers 30 through 32</i>	1
7	13002GT	SCREW,HHC,5/16-18 X 1 GR5.....4	4	30	29066GT	VALVE,SOLENOID,10V,2POS 3WAY**.....1 <i>includes index numbers 31 and 32</i>	1
8	6886GT	WASHER,LOCK,.313.....4	4	31	27814GT	COIL,SOLENOID,10V.....1	1
9	6638GT	WASHER,FLAT,USS,1/4"Y.....7	7	32	45912GT	NUT,SOLENOID VALVE 2P3W.....1	1
10	6019GT	SCREW,HHC,3/8-16 X 1.25 GRD 5.....4	4				
11	6021GT	WASHER,LOCK,.375.....14	14				
12	5397GT	WASHER,FLAT,USS,5/16",Y.....24	24				
13	43956GT	WIRE CABLE,14/3 CON.TPE JKT*					
14	6935GT	LOCKNUT,ELEC,1/2".....1	1				
15	7056GT	CONN,SQUEEZE,1/2NPT .38-.50,SM....1	1				
16	6595GT	PLUG,ELECTRICAL,DOMESTIC.....1	1				
--	1280665GT	PLUG, TYPE F, 230A, 50HZ, 16A, IP44.....1	1				
--	144161GT	PLUG,PWR,UK,16AMP,3PIN,BLK.....1	1				
--	25388GT	PLUG,FUSED,250V,13AMP,U.K.**.....1	1				
17	6024GT	NUT,NYLOCK,5/8-11.....3	3				
18	13064GT	WASHER,FLAT,.625 HARDENED.....6	6				
19	7713GT	NUT, LP NYLOCK, 3/8-16.....2	2				
20	30184PGT	WLDMNT,HYD.TANK MODULE PLATE**.....1 <i>to SN 3373</i>	1				

506.1 Function Manifold



506.1 Function Manifold

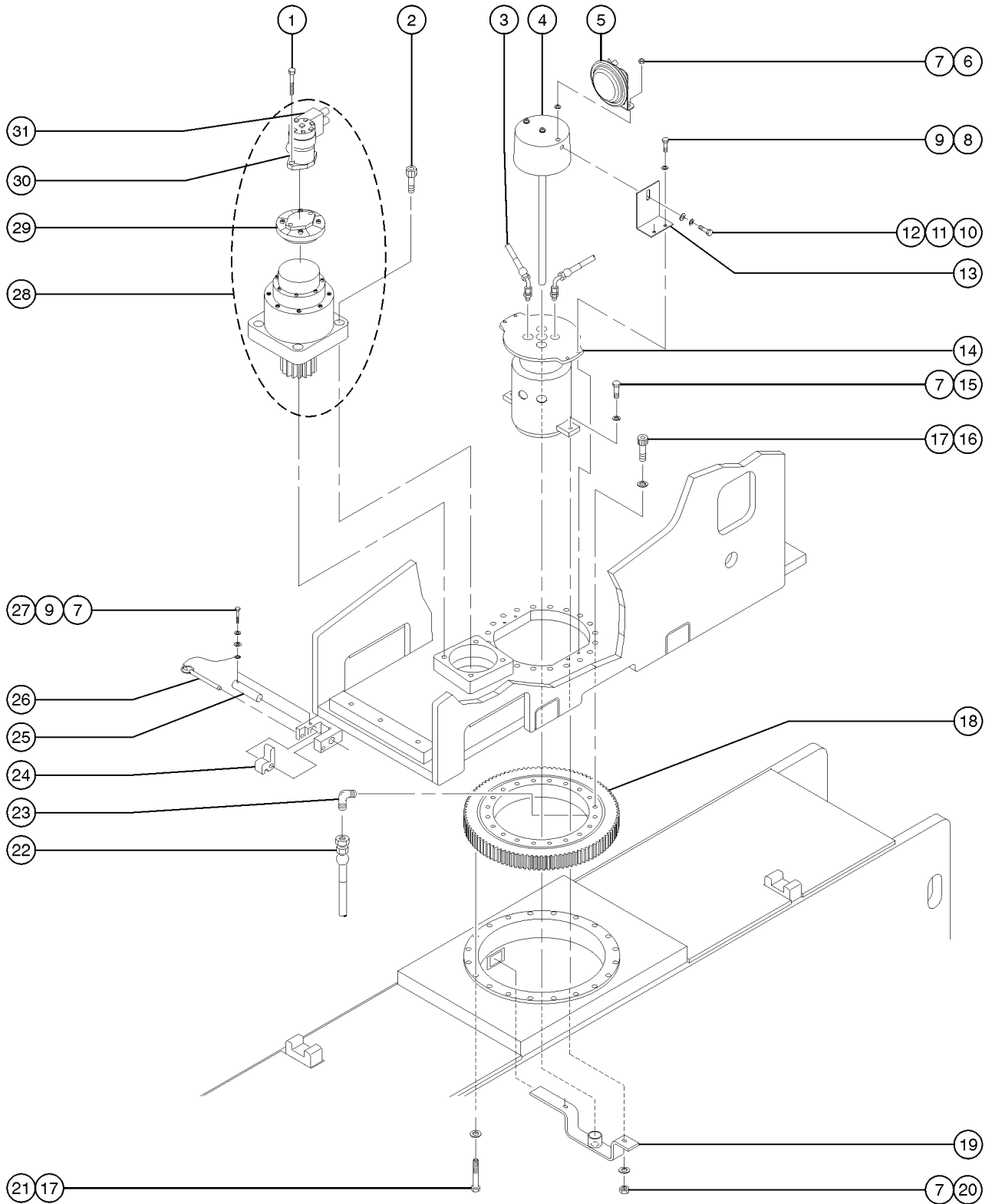
Item	Part No.	Description	Qty.	Item	Part No.	Description	Qty.
A		D03 Valve <i>Jib Boom Up/Down and Platform Rotate Left/Right</i>		X		Check Valve <i>Differential Sensing Circuit, Jib Boom Down/Platform Rotate Right</i>	
B		Counterbalance Valve <i>Platform Level Up/Down</i>		Y		Check Valve <i>Differential Sensing Circuit, Jib Boom Up/Platform Rotate Left</i>	
C		D03 Valve <i>Platform Level Up/Down</i>		Z		Check Valve <i>Differential Sensing Circuit, Platform Level</i>	
D		Check Valve <i>Differential Sensing Circuit, Turntable Rotate Left/Right and Primary Boom Extend/Retract</i>		AA		Priority Flow Regulator Valve, 3 gpm (11.4 l/min) <i>Steer Left/Right Circuit</i>	
E		D03 Valve <i>Turntable Rotate Left/Right</i>		--	146169GT	MANIFOLD,FUNCTION <i>does not include index numbers 24 and 25</i>	
F		D03 Valve <i>Secondary Boom Up/Down</i>		--	28750GT	O-RING KIT,FIELD SVC,ALL PROD*	
G		D03 Valve <i>Primary Boom Up/Down</i>		--	33994GT	PLUG AND CAP KIT-SERVICE,37 **	
H		D03 Valve <i>Primary Boom Extend/Retract</i>		--	49612GT	O-RING KIT (ORFS FITTINGS)	
I		Check Valve <i>Differential Sensing Circuit, Primary and Secondary Boom</i>		--	49613GT	PLUG AND CAP KIT-SERVICE,ORFS*	
J		Relief Valve, 1200 psi (83 bar) <i>Primary Boom Extend</i>		1	40617GT	SCREW,SHC,10-24 X 4.....4	
K		Relief Valve, 1800 psi (124 bar) <i>Primary Boom Down</i>		2	6607GT	WASHER,LOCK,#10 PLTD.....24	
L		Flow Regulator <i>Primary and Secondary Boom Circuit</i>		3	146165GT	VALVE KIT,D03.....6 <i>includes two each index numbers 5, 6, and 7. kit comes with two inch screws, if customer needs four inch screws refer to 40617.</i>	
M		Relief Valve, 1600 psi (110 bar) <i>Secondary Boom Down</i>		4	43255GT	SCREW,SHC,10-24 X 2.....20	
N		Proportional Solenoid Valve <i>Primary and Secondary Boom Up/Down</i>		5	223763GT	COIL WITH DE CONNECTOR.....12 <i>previous coil part 41771 is no longer available, must upgrade original valve with a newer valve part 146165.</i>	
O		Flow Regulator <i>Turntable Rotate Left/Right and Primary Boom Extend/Retract Circuit</i>		6	48648GT	O-RING, D03 COIL.....12	
P		Solenoid Valve - N.C. 2 position 2way <i>Platform Level Circuit</i>		7	48649GT	NUT-D03 COIL.....12	
Q		Proportional Solenoid Valve <i>Turntable Rotate Left/Right and Primary Boom Extend/Retract</i>		8	27807GT	VALVE,CHECK***5	
R		Flow Regulator Valve, 0.6 gpm (2.3 l/min) <i>Platform Level Circuit</i>		--	110200GT	SEAL KIT, VALVE, #4.....5	
S		Differential Sensing Valve <i>Meters flow to functions</i>		9	27805GT	VALVE,RELIEF.....1	
T		Flow Regulator Valve, 1.5 gpm (5.7 l/min) <i>Platform Rotate/Jib Boom Circuit</i>		10	31527GT	VALVE,RELIEF 1800 PSI.....1	
U		Flow Regulator Valve, 0.1 gpm (0.4 l/min) <i>Bleeds off differential sensing valves to tank</i>		11	27802GT	VALVE,DIFFERENTIAL SENSING***2	
V		Diagnostic Nipple <i>Testing</i>		12	31528GT	VALVE,RELIEF 1600 PSI.....1	
W		Relief Valve, 2400 psi (166 bar) <i>System Relief</i>		13	27801GT	VALVE,PROPORTIONAL SOLENOID***2 <i>includes 1 each index numbers 17, 18 and 19</i>	
				14	21444GT	COIL,12 VOLT (21299 MANIFOLD).....1	
				15	52943GT	NUT,SOLENOID VALVE COIL.....1	
				16	19995GT	VALVE,SOLENOID,2 WAY,12V.....1 <i>includes index numbers 14 and 15</i>	
				17	45921GT	RETAINER-N.C.PROPOR.SOLENOID....2	
				18	45914GT	O-RING, DO1 VALVE.....2	
				19	21935GT	COIL, 12V, 19972/21623/29069.....2	
				20	31100GT	VALVE,FLOW REGULATOR 0.6GPM.....1	

506.1 Function Manifold
(continued)

Item	Part No.	Description	Qty.
21	27804GT	VALVE,DIFFERENTIAL SENSING***.....1	1
22	19470GT	VALVE,FLOW REGULATOR.....1	1
23	32975GT	VALVE,FLOW REGULATOR 0.1 GPM.....1	1
24	48997GT	NIPPLE,DIAGNOSTIC,#4.....1	1
--	20224GT	DIAGNOSTIC FEMALE Q-DSCNT.....1	1
25	48880GT	CAP,DIAGNOSTIC NIPPLE.....1	1
26	31529GT	VALVE,RELIEF 2400 PSI***.....1	1
27	31102GT	VALVE,FLOW REGULATOR.....1	1
28	65462GT	VALVE,COUNTERBALANCE (65461).....2	2
29	65461GT	COUNTERBLNCE SANDWICH(30283)..1 <i>includes index number 28</i>	1

This Page Intentionally Left Blank

507.1 Turntable Rotator and Rotary Couplers



507.1 Turntable Rotator and Rotary Couplers

Item	Part No.	Description	Qty.	Item	Part No.	Description	Qty.
1	56843GT	SCREW,SHC,1/2-13 X 1.50,A574.....	4	24	30327PGT	PLATE,ROTATION LOCK.....	1
2	73455GT	SCREW,HHC,5/8-11 X 2.25 GR8.....	4	25	27728GT	PIN,1.00DIA X 4.63LG,1HOLE.....	1
3		<i>Ref. Hydraulic Hoses & Fittings (refer to figure 508.1)</i>		26	31281GT	ROTATION LOCK RETAINER PIN ASY.....	1
4	25225GT	COUPLER,ELECTRIC ROTARY.....	1	27	6708GT	SCREW,HHC,3/8-16 X 2.25.....	1
--	29419GT	BRUSH & HOLDER ASSY,25225 SWIV.....	1	28A	53147GT	SWING DRIVE MOTOR/BRAKE ASSY**.....	1
--	29733GT	HARNESS,WIRE,ROTARY/MANIFOLD...1				<i>(part is obsolete but most components are available)</i>	
--	29734GT	HARNESS,WIRE,ROTARY/CNTRL.BOX.1		28B	81108GT	SWING DRIVE ASSEMBLY,S40/45***.....1	
--	29735GT	MICROSWITCH,ELECTRIC ROTARY.....1				<i>(replaced 53147) (part is obsolete and most components are no longer available)</i>	
--	75575GT	COUPLER,ELECTRIC ROTARY.....	1	28C	75664GT	SWING DRIVE ASSY***.....	1
		<i>from SN 3457</i>				<i>(replaced 53147; from Z60 SN 3341) (part is obsolete but components are available)</i>	
5	81578GT	HORN,12VDC,SPADE TERMINALS***.....1		28D	89885GT	SWING DRIVE ASSEMBLY,S40/Z60**.....1	
6	6782GT	NUT,NYLOCK,5/16-18				<i>from SN 3341 (replaced 53147)</i>	
7	5397GT	WASHER,FLAT,USS,5/16",Y		--	22973GT	SEAL KIT,TORQUE HUB (S07).....	1
8	6019GT	SCREW,HHC,3/8-16 X 1.25 GRD 5.....	2			<i>use with 94920</i>	
9	6021GT	WASHER,LOCK,.375.....	4	--	31493GT	PINION GEAR	
10	10587GT	SCREW,HHC,1/2-13 X.75.....	1			<i>use with 94920; to SN 3340</i>	
11	6033GT	WASHER,LOCK,0.5".....	1	--	58916GT	SEAL,SHAFT.....	1
12	13066GT	WASHER,FLAT,.5 HARDENED.....	3			<i>use with 94920</i>	
13	27654PGT	ELEC.SWIVEL LOCK ANGLE,PAINT.....1		--	75677GT	SHAFT,OUTPUT,PINION,TURNTABLE...1	
14	44369GT	HYDRAULIC SWIVEL,4 PORT,Z60.....	1			<i>use with 89885; from SN 3341</i>	
		<i>to SN 3456</i>		--	75678GT	SEAL KIT,REDUCER DRIVE TURNTAB.....	1
--	29419GT	BRUSH & HOLDER ASSY,25225 SWIV.....	1			<i>use with 89885; from SN 3341</i>	
--	29733GT	HARNESS,WIRE,ROTARY/MANIFOLD...1		--	75681GT	BEARING KIT DRIVE TURN AND HUB.....	1
--	29734GT	HARNESS,WIRE,ROTARY/CNTRL.BOX.1				<i>use with 89885; from SN 3341</i>	
--	29735GT	MICROSWITCH,ELECTRIC ROTARY.....1		--	94920GT	TORQUE HUB-SWING***.....	1
--	37406GT	SEAL KIT,HYD SWIVEL (37403).....	1			<i>Does not include brake assembly, swing motor, or manifold, not part of 89885; to SN 3340</i>	
--	44613GT	SEAL KIT,SWIVEL (44369).....	1	29	75686GT	BRAKE ASSEMBLY,TURNTABLE ROT**.....	1
--	75665GT	SWIVEL,HYDRAULIC,4 PORT.....	1			<i>part of 89885</i>	
		<i>from SN 3457</i>		--	29291GT	SEAL KIT,MICO.....	1
--	75697GT	SEAL KIT- COUPLER (75665).....	1	--	31500GT	BEARING KIT,MICO.....	1
15	13918GT	SCREW,HHC,3/8-16 X 1.75,GRD.8.....	2	--	31502GT	SPRING KIT,MICO.....	1
16	45066GT	SCREW,SHC,5/8-11 X 2.25.....	20	--	58915GT	LINING REPAIR KIT (41915).....	1
17	13064GT	WASHER,FLAT,.625 HARDENED.....	40	--	62466GT	SEAL KIT,BRAKE,TURNTABLE ROT**...1	
18	111648GT	BEARING,SERIES 3000.....	1			<i>use with 75686</i>	
19	30262-SGT	WELDMENT,SWIVEL LOCK.....	1	--	65608GT	BEARING KIT, AUSCO***.....	1
		<i>to SN 3456</i>				<i>use with 73918, to SN 3340</i>	
--	75760-SGT	WELDMENT, SWIVEL LOCK.....	1	--	73918GT	BRAKE,SWING,2800 IN/LB.....	1
		<i>from SN 3457</i>				<i>not part of 89885; to SN 3340</i>	
20	4828GT	NUT,NYLOCK,3/8-16.....	2	--	75658GT	LINING KIT,AUSCO (73918)***.....	1
21	21175GT	SCREW,SHC,5/8-11 X 4,A574.....	20			<i>use with 73918, to SN 3340</i>	
22	49185-138-SGT	HOSE ASSEMBLY,1/4.....	1	--	75659GT	SEAL KIT, AUSCO (73918).....	1
23	49520GT	FITTING,070302-4.....	1			<i>use with 73918, to SN 3340</i>	

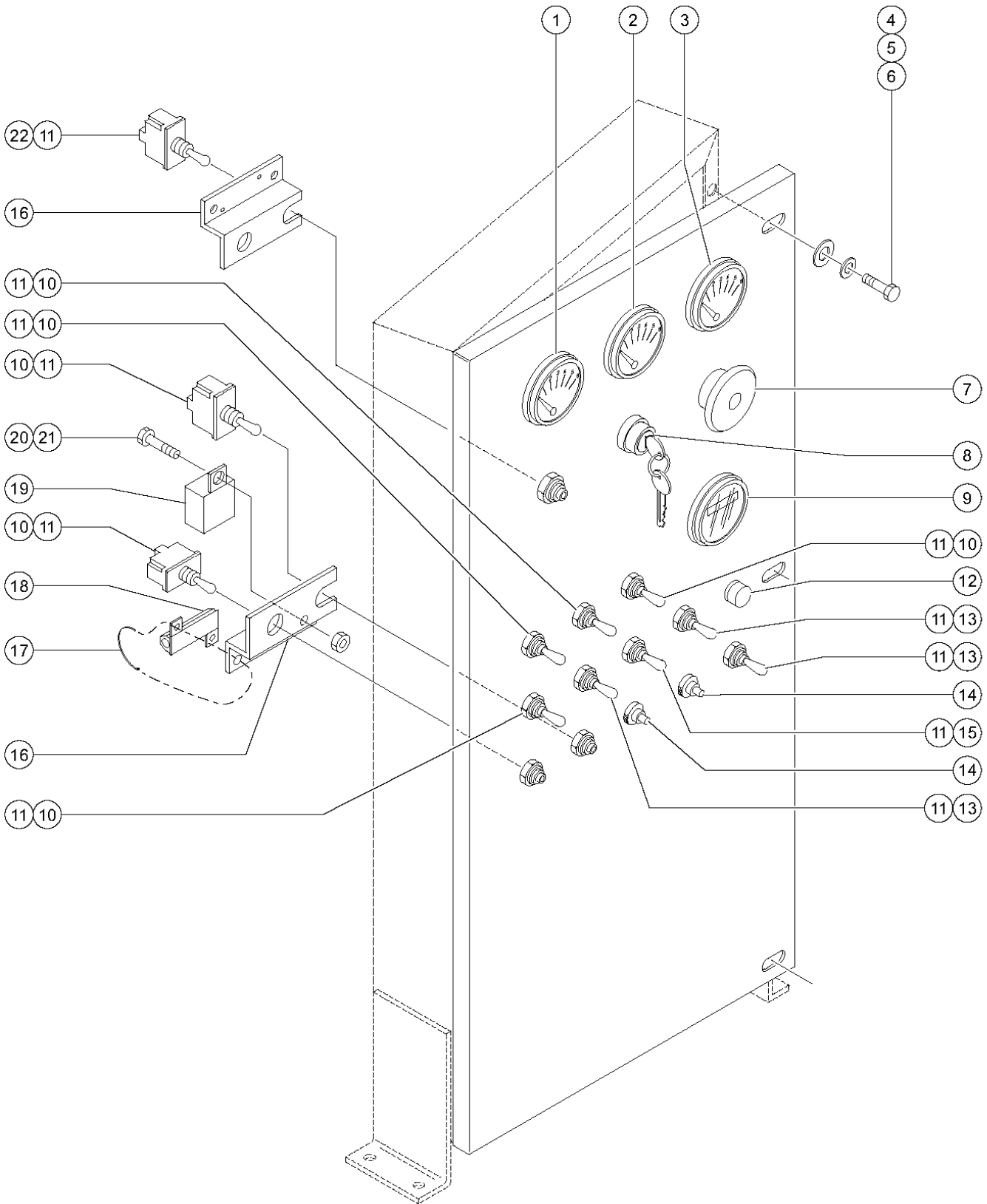
507.1 Turntable Rotator and Rotary Couplers
(continued)

Item	Part No.	Description	Qty.
--	75682GT	DISC KIT DRIVE TURNTABLE Z-60*.....1 <i>use with 75686</i>	1
--	75683GT	SPRING,DRIVE TURNTABLE***.....1 <i>use with 75686</i>	1
30	58958GT	MOTOR,SWING DRIVE (53147).....1	1
--	62081GT	SEAL KIT, 58958 SWING MOTOR.....1 <i>use with 58958</i>	1
--	75684GT	MOTOR,TURNTABLE ROTATION***.....1 <i>part of 89885</i>	1
--	75685GT	SEAL KIT,MOTOR TURNTABLE***.....1 <i>use with 75684</i>	1
31	89800GT	MANIFOLD,TURNTABLE ROTATION***.....1 <i>part of 89885</i>	1
--	75119GT	SEAL KIT,CB VALVE MANIFOLD***.....1 <i>use with 89800</i>	1

507.1 Turntable Rotator and Rotary Couplers
(continued)

This Page Intentionally Left Blank

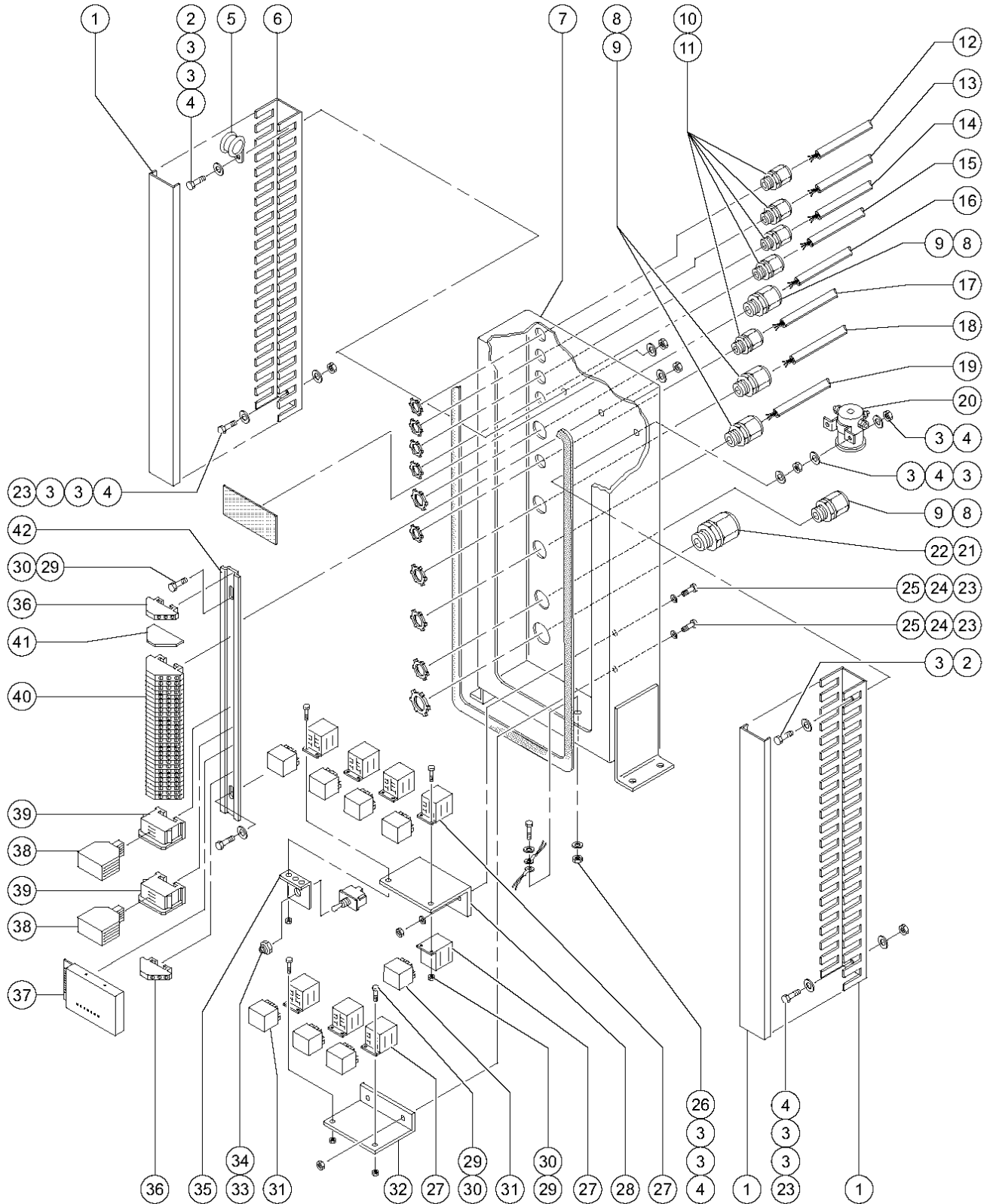
508.1 Ground Controls - View 1



508.1 Ground Controls - View 1

Item	Part No.	Description	Qty.	Item	Part No.	Description	Qty.
1	53759-SGT	GAUGE,WATER TEMP.....1 <i>includes mounting bracket and fasteners; Ford Models</i>	1	13	128200GT	SWITCH TOGGLE ASSY SPDT 3P MOM.....3 1 <i>includes mounting fasteners</i>	3
--	53760-SGT	GAUGE,OIL TEMP.....1 <i>includes mounting bracket fasteners; Deutz Models</i>	1	14	147094GT	ASSY, CIRCUIT BREAKER 15A.....2 <i>includes mounting fasteners</i>	2
2	53758-SGT	GAUGE,OIL PRESSURE W/O SENDER.....1 <i>includes mounting bracket and fasteners</i>	1	15	128205GT	SWITCH TOGGLE ASSY DPDT 2P MNT1 <i>includes mounting fasteners; Ford Models</i>	1
3	53761-SGT	GAUGE,VOLTAGE.....1 <i>includes mounting bracket and fasteners</i>	1	--	229567GT	PLUG,SANTOPRENE .5 BLACK DOME.....1 <i>Deutz Models</i>	1
4	6090GT	SCREW,HHC,1/4-20 X .75.....3	3	16	53820GT	BRACKET, PANEL WIRE MOUNTING....2	2
5	6356GT	WASHER,LOCK,.25.....3	3	17	21121GT	CABLE TIE,4" BLK,HEAT RESISTNT....2	2
6	6638GT	WASHER,FLAT,USS,1/4"Y.....3	3	18	27287GT	RESISTOR,10 OHM,25 WATT.....1	1
7	122514GT	KIT,ESTOP SVC BB&SM BOOM.....1	1	19	19274GT	RELAY,SPDT,12V(AUTO)**.....1	1
--	146478GT	BOOT(BELLOWS),E-STOP,BLACK		20	54365GT	SCREW,PHIL,PHM,10-32 X .5,SSTL.....1	1
--	66812GT	BUTTON,PUSH,RED MUSHROOM HEAD.....1	1	21	6178GT	NUT,NYLOCK,10-32.....1	1
--	66818GT	CONTACT, N.C.....1 <i>includes N.C. contacts</i>	1	22	128201GT	SWITCH TOGGLE ASSY DPDT 2P MOM.....1 <i>includes mounting fasteners</i>	1
--	66821GT	BASE,WITHOUT CONTACTS.....1	1	Footnotes			
8	122512GT	KIT,KEYSWITCH SVC BB & SM BOOM.....1 <i>(ANSI, CSA and Australia models), includes parts 66811, 66821, 66816and 122366KEYSWITCH,CONTACTS LOCK</i>	1	1: Quantity listed may not reflect specific model configuration requirements.			
--	122366GT	KEYSWITCH,CONTACTS LOCK.....1	1				
--	122606GT	KIT,KEYSWITCH SVC BB&SM CE.....1 <i>(CE models)</i>	1				
--	66811GT	KEYSWITCH,3POS.MNTND.DR WKEY**.....1 <i>includes keyswitch and two keys, not included: base and contacts.</i>	1				
--	66816GT	CONTACT,N.O.***1	1				
--	66821GT	BASE,WITHOUT CONTACTS.....1	1				
9	19506GT	HOUR METER,10-80 VOLTS***.....1 <i>includes mounting bracket</i>	1				
10	128202GT	SWITCH TOGGLE ASSY DPDT 3P MOM.....6 <i>includes mounting fasteners</i>	6				
11	27246GT	BOOT,TOGGLE SWITCH,SHORT*1 1	1				
12	824879GT	LIGHT,LED IND. RED 12V NH.....1 <i>Ford Models</i>	1				
--	128200GT	SWITCH TOGGLE ASSY SPDT 3P MOM.....1 <i>includes mounting fasteners; Deutz Models</i>	1				
--	229567GT	PLUG,SANTOPRENE .5 BLACK DOME.....1 <i>Deutz Models</i>	1				

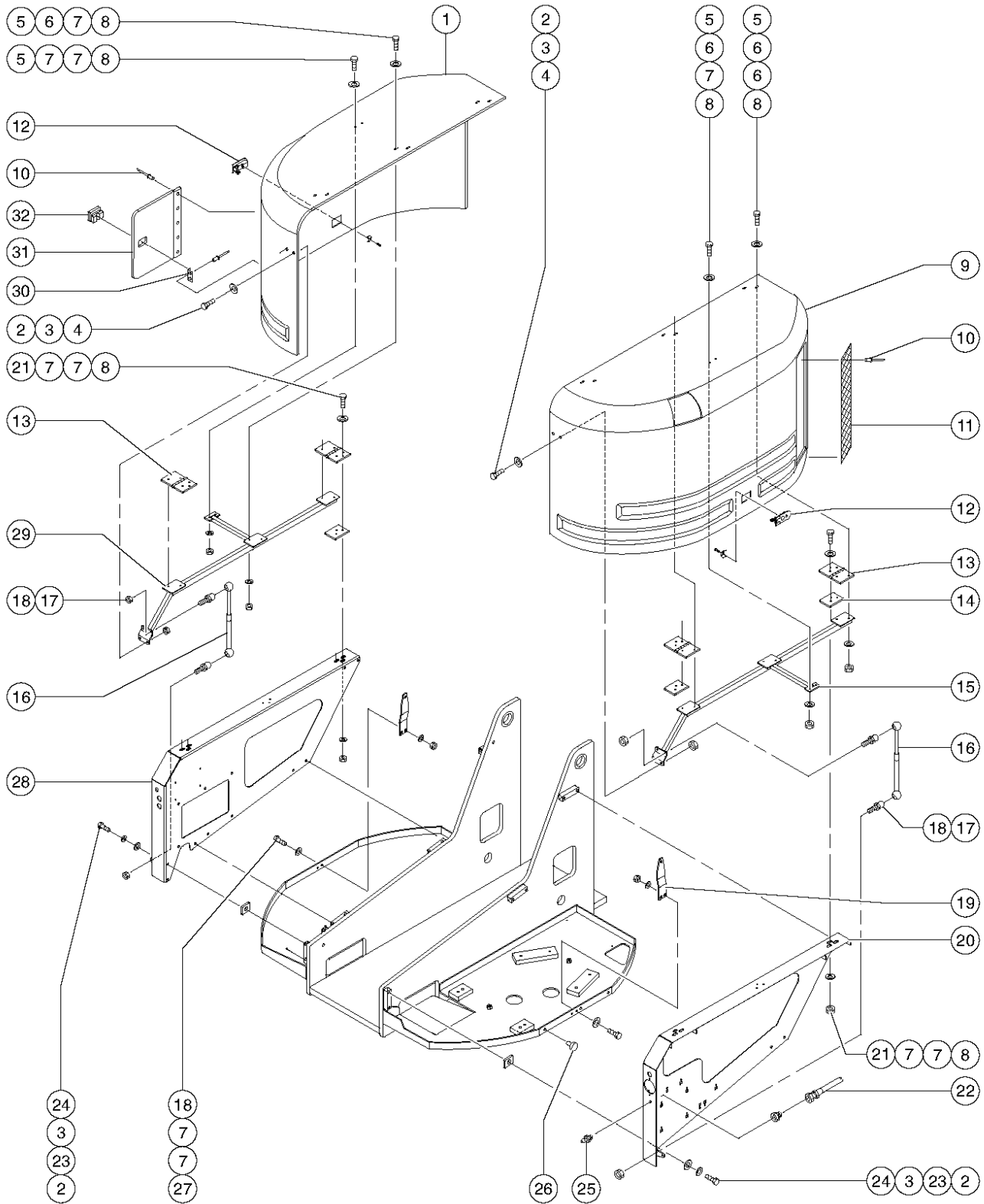
509.1 Ground Controls - View 2



509.1 Ground Controls - View 2

Item	Part No.	Description	Qty.	Item	Part No.	Description	Qty.
--	33996GT	SCREWDRIVER, TERMINAL BLOCK		--	34056GT	TERM, RELAY, N-INSULATE 18-20 GA...	9
1	1262218GT	COVER, DUCT, WIRING..... <i>replaced 28299</i>	2	28	34057GT	ANGLE, RELAY MOUNTING.....	1
2	6888GT	SCREW, HHC, 1/4-20 X 1.....	2	29	6178GT	NUT, NYLOCK, 10-32.....	6
3	6638GT	WASHER, FLAT, USS, 1/4"Y.....	10	1			
4	6091GT	NUT, NYLOCK, 1/4-20.....	6	30	54365GT	SCREW, PHIL, PHM, 10-32 X .5, SSTL.....	6
5	13268GT	CLAMP, 0.75, #12 X 1/4, RUB CUSH.....	1	1			
6	28298GT	WIRING DUCT, 1.5 X 1.5.....	2	31	34052GT	RELAY, SPDT, 12V(AUTO) PLUG IN**..... <i>Ford Non-oscillating Models</i>	5
7	35811GT	CONTROL BOX W/LID&DECAL, GRND.....	1	--	34052GT	RELAY, SPDT, 12V(AUTO) PLUG IN**..... <i>Ford Oscillating Models</i>	8
--	121599GT	GASKET, GBOX, S80/85 2008.....	1	32	34057GT	ANGLE, RELAY MOUNTING..... <i>Oscillating Models</i>	1
8	12960GT	CABLE SQUEEZE CONN., XTRA LRG...	4	33	27246GT	BOOT, TOGGLE SWITCH, SHORT*..... <i>Ford Models</i>	1
9	14041GT	LOCKNUT, ELECTRIC, 3/4".....	4	34	128201GT	SWITCH TOGGLE ASSY DPDT 2P MOM.....	1
10	7056GT	CONN, SQUEEZE, 1/2NPT .38-.50, SM...	4				
11	6935GT	LOCKNUT, ELEC, 1/2".....	4				
12	43960GT	WIRE CABLE, 16/4 CON.TPE JKT.....	384-inches	35	49743GT	BRACKET, TOGGLE SWITCH..... <i>Ford Models</i>	1
13	43960GT	WIRE CABLE, 16/4 CON.TPE JKT.....	504-inches	36	25974GT	PLASTIC END STOP.....	2
14	43960GT	WIRE CABLE, 16/4 CON.TPE JKT.....	504-inches	37	56057GT	MODULE, IGNITION/START, 12/24V.....	1
15	1505GT	WIRE CABLE, 16/2 SJO, BULK.....	504-inches	38	25807GT	DIODE BLOCK SUPPRESSION.....	2
16	35934GT	WIRE CABLE, 18/19 CON. TPRJKT.....	1008-inches	39	25808GT	CARRIER TERMINAL(5 PER BLOCK)...	2
17	43955GT	WIRE CABLE, 12/3 CON.TPE JKT.....	1008-inches	40	32637GT	TERMINAL BLOCK, WAGO.....	44
18	35934GT	WIRE CABLE, 18/19 CON. TPRJKT.....	1008-inches	--	32638GT	TERMINAL BLOCK, WAGO.....	2
19	43956GT	WIRE CABLE, 14/3 CON.TPE JKT*.....	1044-inches	41	25837GT	TERMINAL STRIP END PLATE.....	1
20	27155GT	SOLENOID, 12V CONTINUOUS***..... <i>to SN 2595</i>	1	42	28310GT	DIN RAIL, 23.75".....	1
--	53967GT	SOLENOID, 12V CONTINUOUS <i>from SN 2596</i>		Footnotes			
21	20776GT	CABLE SQUEEZE CONN.....	1	1: Quantity listed may not reflect specific model configuration requirements.			
22	18665GT	LOCKNUT, ELECTRIC, 1" NPT.....	1				
23	8914GT	SCREW, HHC, 1/4-20 X .625.....	6				
24	6356GT	WASHER, LOCK, .25.....	4				
25	23404GT	NUTSERT, 1/4-20, STEEL CAD PLTD.....	4				
26	6090GT	SCREW, HHC, 1/4-20 X .75.....	1				
27	34053GT	ASSY, RELAY SOCKET, AUTO..... <i>Ford Non-oscillating Models</i>	5				
--	34053GT	ASSY, RELAY SOCKET, AUTO..... <i>Ford Oscillating Models</i>	8				
--	34054GT	TERM, RELAY N-INSULATED 10-12 G...	9				
--	34055GT	TERM RELAY, N-INSULATE 14-16 GA...	9				

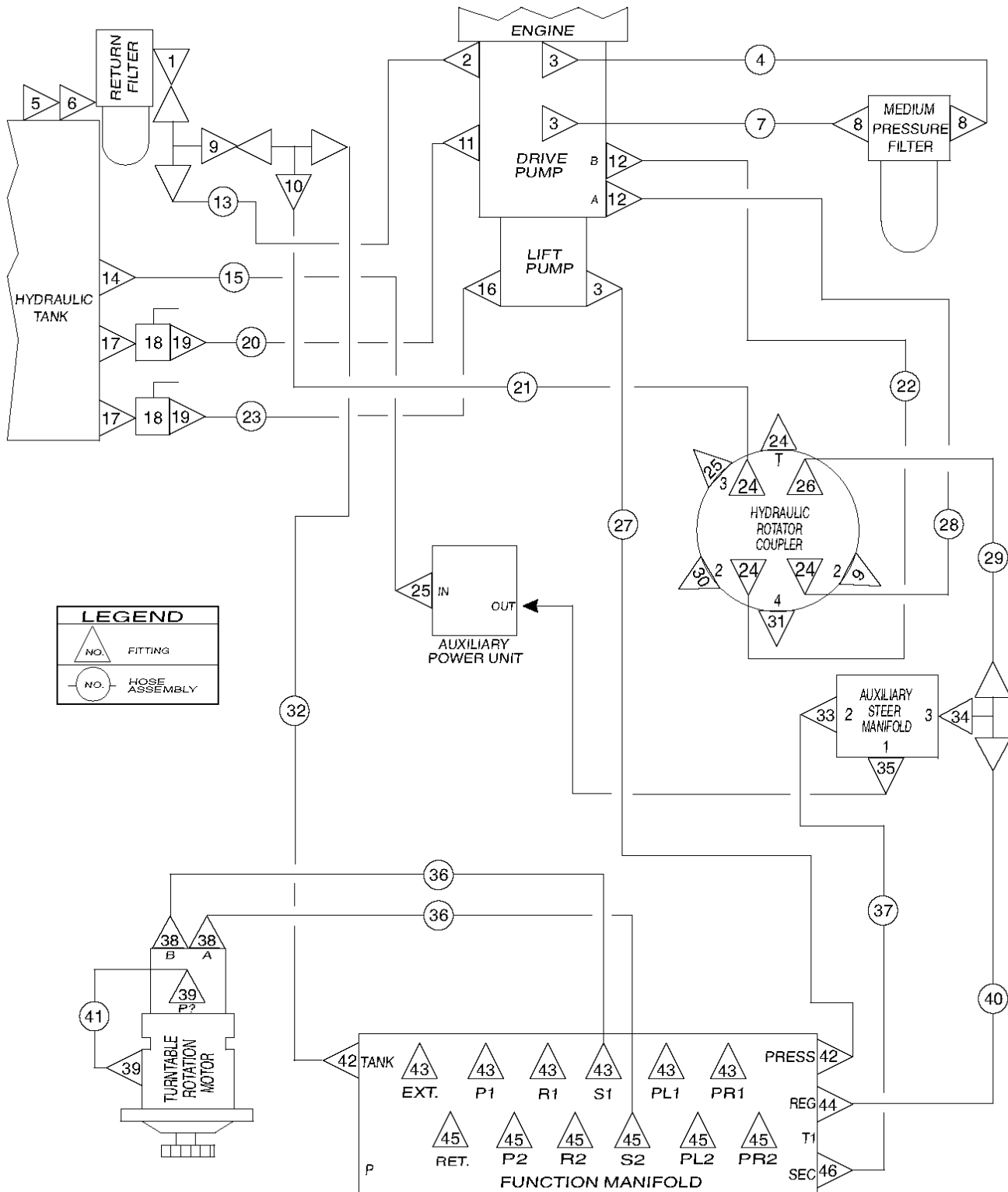
510.1 Turntable Covers



510.1 Turntable Covers

Item	Part No.	Description	Qty.	Item	Part No.	Description	Qty.
1	58027GT	COVER ASSY.L.H.TANK SIDE.....1 <i>includes index numbers 10, 12 and 30 through 32; to SN 2320</i>		25	30430GT	BULKHEAD,FEMALE X 4.....1	
--	58141GT	COVER ASSY, LH, TANK SIDE.....1 <i>includes index numbers 10, 12, and 30 through 32; from SN 2321</i>		--	28646GT	ZERK,GREASE,1/8 NPT.....1	
2	6019GT	SCREW,HHC,3/8-16 X 1.25 GRD 5.....8		26	34619GT	BUMPER,RUBBER***.....6	
3	5397GT	WASHER,FLAT,USS,5/16",Y.....8		27	13002GT	SCREW,HHC,5/16-18 X 1 GR5.....4	
4	4828GT	NUT,NYLOCK,3/8-16.....8		28	89629GT	WELDMENT,BULKHEAD,LEFT SIDE.....1	
5	6888GT	SCREW,HHC,1/4-20 X 1.....16		29	53524-SGT	COVER REINFORCEMENT, L.H.....1	
6	12906GT	WASHER,FENDER,.25 X 1.25 X.062....28		30	49534GT	DOOR LATCH,BASE CONTROL BOX....1	
7	6638GT	WASHER,FLAT,USS,1/4"Y.....48		31	46612GT	COV. ASSY GRND.CONT.S40/60/80.....1 <i>includes index number 10, 30 and 32</i>	
8	6091GT	NUT,NYLOCK,1/4-20.....34		32	30468GT	LATCH,SLIDE, FLUSH MOUNT STYLE.....1	
9	58025GT	COVER ASSY.R.H.ENGINE GAS.....1 <i>Ford Models; includes index numbers 10 through 12; to SN 2320</i>					
--	58026GT	COVER ASSY.R.H.ENGINE DIESEL....1 <i>Deutz Models; includes index numbers 10 through 12; to SN 2320</i>					
--	58139GT	COVER ASSY, RH, ENGINE,.....1 <i>Ford Models; includes index numbers 10 through 12; from SN 2321</i>					
--	58140GT	COVER ASSY, RH, ENGINE, DIESEL....1 <i>Deutz Models; includes index numbers 10 through 12; from SN 2321</i>					
10	53189GT	RIVET,ALUM,ALUM,P,.25X.375.....23					
11	53564-SGT	AIR INTAKE SCREEN, GRAY.....1 <i>Deutz Models</i>					
--	49618-SGT	AIR INTAKE FRAME.GRAY.....1 <i>Ford Models</i>					
12	49536GT	LATCH,TURNTABLE FLUSH STYLE....2 <i>to SN 2320</i>					
--	29314GT	KEY,LATCH, 1 PAIR (28125).....1					
--	53903GT	LATCH,T-HANDLE,5 SIDED W/KEYS*....2 <i>includes mounting fasteners; from SN 2321</i>					
13	75073GT	HINGE,.375X.120THK.,SLOTTED.....4					
14	53707GT	HINGE SPACER.....4					
15	53523-SGT	COVER REINFORCEMENT, R.H.....1					
16	30391GT	GAS STRUT,200 LBS.FORCE.....2					
--	27377GT	RETAINER,GAS SPRING***.....2					
17	27114GT	BALL STUD,1/2" BALL,3/8-16X1.2.....4					
18	6782GT	NUT,NYLOCK,5/16-18.....8					
19	49535P-SGT	PLATE,LATCH,BLUE,PAINTED.....2					
20	89625GT	WELDMENT,BULKHEAD,RT SIDE.....1					
21	6145GT	SCREW,HHC,1/4-20 X 1.5.....18					
22	31478GT	HOSE ASSY,54".....1					
23	6021GT	WASHER,LOCK,.375.....4					
24	29868GT	SPRING CLIP,3/8-16,.05-.20X.73,ZAG...4					

511.1 Hydraulic Hoses and Fittings - Turntable Components



LEGEND	
	FITTING
	HOSE ASSEMBLY

511.1 Hydraulic Hoses and Fittings - Turntable Components

Item	Part No.	Description	Qty.	Item	Part No.	Description	Qty.
--	28750GT	O-RING KIT,FIELD SVC,ALL PROD*		28	537145541-SGT	HOSE ASSEMBLY 3/4".....	1
--	33994GT	PLUG AND CAP KIT-SERVICE,37 **				7	
--	49612GT	O-RING KIT (ORFS FITTINGS)		29	491466558-SGT	HOSE ASSEMBLY,1/2.....	1
--	49613GT	PLUG AND CAP KIT-SERVICE,ORFS*				8	
1	49515GT	ELBOW,90D,520202-12-16.....	1	30	48959GT	FITTING,ELBOW,90D,520220-12.....	1
2	48960GT	FITTING,CONN,520120-12***	1	31	48963GT	FITTING,ELBOW,45D,520320-12***	1
3	48946GT	CONN,520120-8-10.....	3	32	49142-1962-SGT	HOSE ASSEMBLY,1/2".....	1
4	49143-3229-SGT	HOSE ASSY,1/2,90 FEM,STR FEM.....	1			9	
		1		33	48915GT	ELBOW,90D,520220-6.....	1
5	49512GT	ELBOW,90DEG,FEM,1"NPT.....	1	34	48919GT	TEE,BRANCH,520429-6.....	1
6	49513GT	ADAPTER,PIPE NIPPLE.....	1	35	49205GT	UNION,STR.THREAD-6.....	1
7	49143-2954-SGT	HOSE ASSY,1/2,90 FEM,STR FEM.....	1	36	49118-4758-SGT	HOSE ASSEMBLY,1/4.....	2
		1				10	
8	48947GT	ELBOW,90D,520220-8-12.....	1	37	49128-1159-SGT	HOSE ASSY,3/8,90 FEM,STR FEM.....	1
		to SN 3395				11	
--	48932GT	FITTING,ELBOW,90D,520220-8***	1	38	48911GT	ELBOW,90D,520220-4-6***	2
		from SN 3396		39	48905GT	CONN,520120-4***	2
9	48947GT	ELBOW,90D,520220-8-12.....	1	40	49128-1559-SGT	HOSE ASSEMBLY,3/8.....	1
10	48964GT	FITTING,TEE,RUN,SWIVEL52043212....	2			11	
11	48985GT	ELBOW,45D,520320-16.....	1	41	49117-2591GT	HOSE ASSY,1/4,90 FEM,STR FEM**.....	1
12	48978GT	ELBOW,45D,520320-12-16.....	2			12	
13	49150-9205-SGT	HOSE ASSY,3/4,90 FEM,STR FEM.....	1	42	48932GT	FITTING,ELBOW,90D,520220-8***	2
		2		43	48917GT	CONN,LONG,520122-6.....	6
14	48922GT	CONN,520102-6-6.....	1	44	49511GT	VALVE,CHECK.....	1
15	49126-2233-SGT	HOSE ASSY,3/8,45 FEM,STR FEM.....	1	45	48916GT	CONN, 520120-6.....	6
		3		46	48930GT	CONN,520120-6-8.....	1
16	48992GT	ELBOW,45D,520320-16-12.....	1				
17	45161GT	STRAINER ASSEMBLY,1.5" NPT.....	2				
18	48994GT	VALVE,BALL,16 MPT-16 FPT***	2				
19	48986GT	CONN,520102-16.....	2				
20	491705104-SGT	HOSE ASSEMBLY,1.....	1				
		4					
21	49150-7005-SGT	HOSE ASSY,3/4,90 FEM,STR FEM.....	1				
		4					
22	537135402-SGT	HOSE ASSEMBLY 3/4".....	1				
		5					
23	491705704-SGT	HOSE ASSEMBLY,1.....	1				
		5					
24	48977GT	CONN,520120-12-16.....	4				
25	48929GT	FITTING,ELBOW,90D,520220-6-8.....	2				
26	48933GT	CONN,520120-8***	1				
27	49162-7303-SGT	HOSE ASSEMBLY,1/2.....	1				
		6					

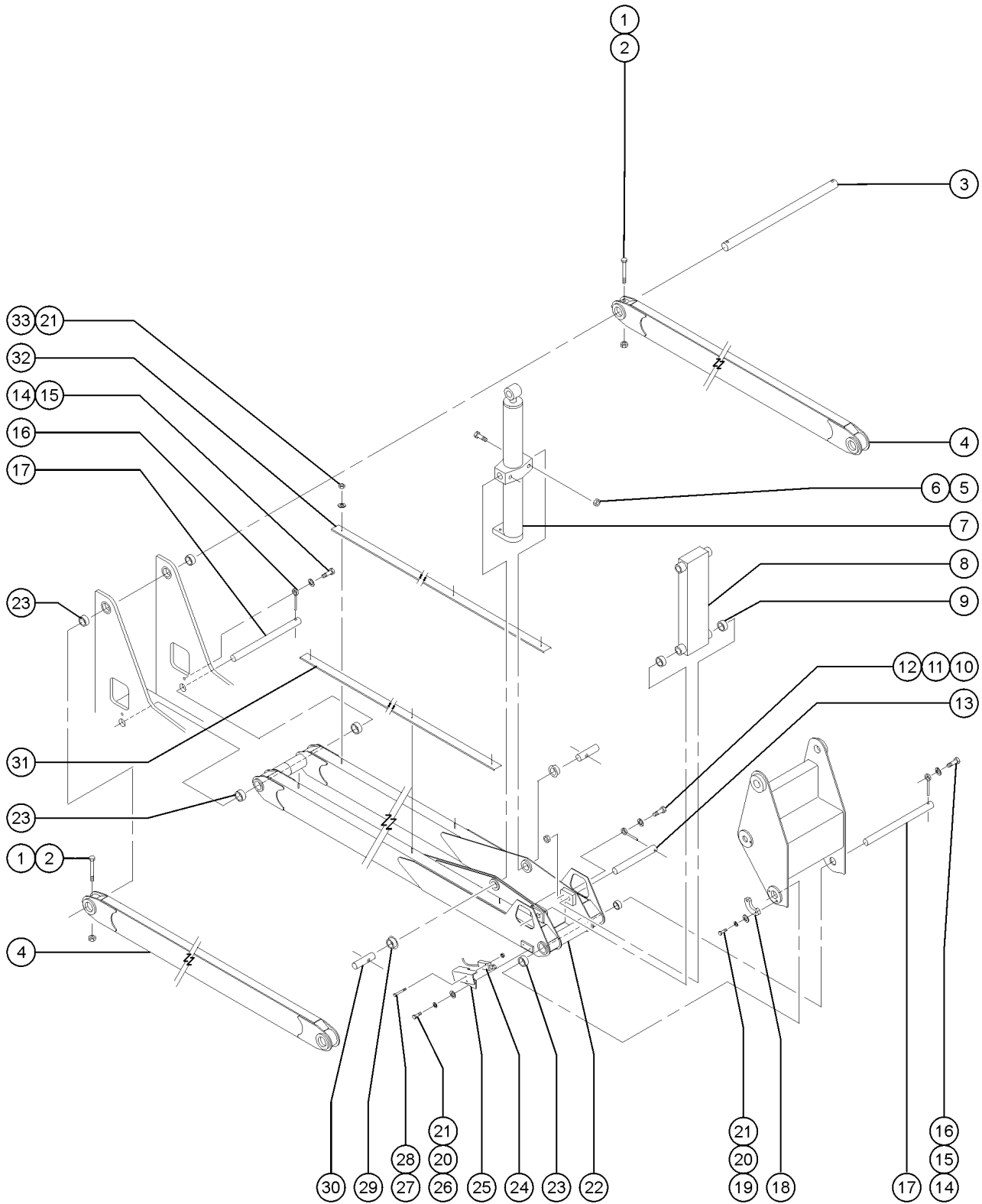
511.1 Hydraulic Hoses and Fittings - Turntable Components
(continued)

Item	Part No.	Description	Qty.	Item	Part No.	Description	Qty.
------	----------	-------------	------	------	----------	-------------	------

511.1 Hydraulic Hoses and Fittings - Turntable Components

Item	Part No.	Description	Qty.	Item	Part No.	Description	Qty.
Footnotes							
		1: Hose End - Female, Swivel, ORFS (Parker No. 1JC43-8), Hose End - Female, Swivel, 90°, ORFS (Parker No. 1J943-8) and Hose, 1/2 inch (Parker No. 451TC-8)				90°, ORFS (Parker No. 1J943-6-4) and Hose, 1/4 inch (Parker No. 451TC-4)	
		2: Hose End - Female, Swivel, ORFS (Parker No. 1JC43-12), Hose End - Female, Swivel, 90°, ORFS (Parker No. 1J943-12) and Hose, 3/4 inch (Parker No. 481-12)				11: Hose End - Female, Swivel, ORFS (Parker No. 1JC43-6), Hose End - Female, Swivel, 90°, ORFS (Parker No. 1J943-6) and Hose, 3/8 inch (Parker No. 451TC-6)	
		3: Hose End - Female, Swivel, ORFS (Parker No. 1JC43-6), Hose End - Female, Swivel, 45°, ORFS (Parker No. 1J743-6) and Hose, 3/8 inch (Parker No. 451TC-6)				12: Hose End - Female, Swivel, ORFS (Parker No. 1JC43-4), Hose End - Female, Swivel, 90°, ORFS (Parker No. 1J943-4) and Hose, 1/4 inch (Parker No. 451TC-4)	
		4: Hose End - Female, Swivel, ORFS (Parker No. 1JC43-16), Hose End - Female, Swivel, ORFS (Parker No. 1JC43-16) and Hose, 1 inch (Parker No. 881-16)					
		5: Hose End - Female, Swivel, 90°, ORFS (Parker No. 1J971-12), Hose End - Female, Swivel, 90°, ORFS (Parker No. 1J971-12) and Hose, 3/4 inch (Parker No. 772-12)					
		6: Hose End - Female, Swivel, 90°, Medium, ORFS (Parker No. 1J543-8), Hose End - Female, Swivel, 90°, ORFS (Parker No. 1J943-8) and Hose, 1/2 inch (Parker No. 381-8)					
		7: Hose End - Female, Swivel, 90°, Long, ORFS (Parker No. 1J171-12), Hose End - Female, Swivel, 90°, ORFS (Parker No. 1J971-12) and Hose, 3/4 inch (Parker No. 772-12)					
		8: Hose End - Female, Swivel, Long, ORFS (Parker No. 1JS43-6-8), Hose End - Female, Swivel, 90°, ORFS (Parker No. 1J943-8) and Hose, 1/2 inch (Parker No. 451TC-8)					
		9: Hose End - Female, Swivel, ORFS (Parker No. 1JC43-8), Hose End - Female, Swivel, 90°, ORFS (Parker No. 1J943-12-8) and Hose, 1/2 inch (Parker No. 451TC-8)					
		10: Hose End - Female, Swivel, ORFS (Parker No. 1JC43-4), Hose End - Female, Swivel,					

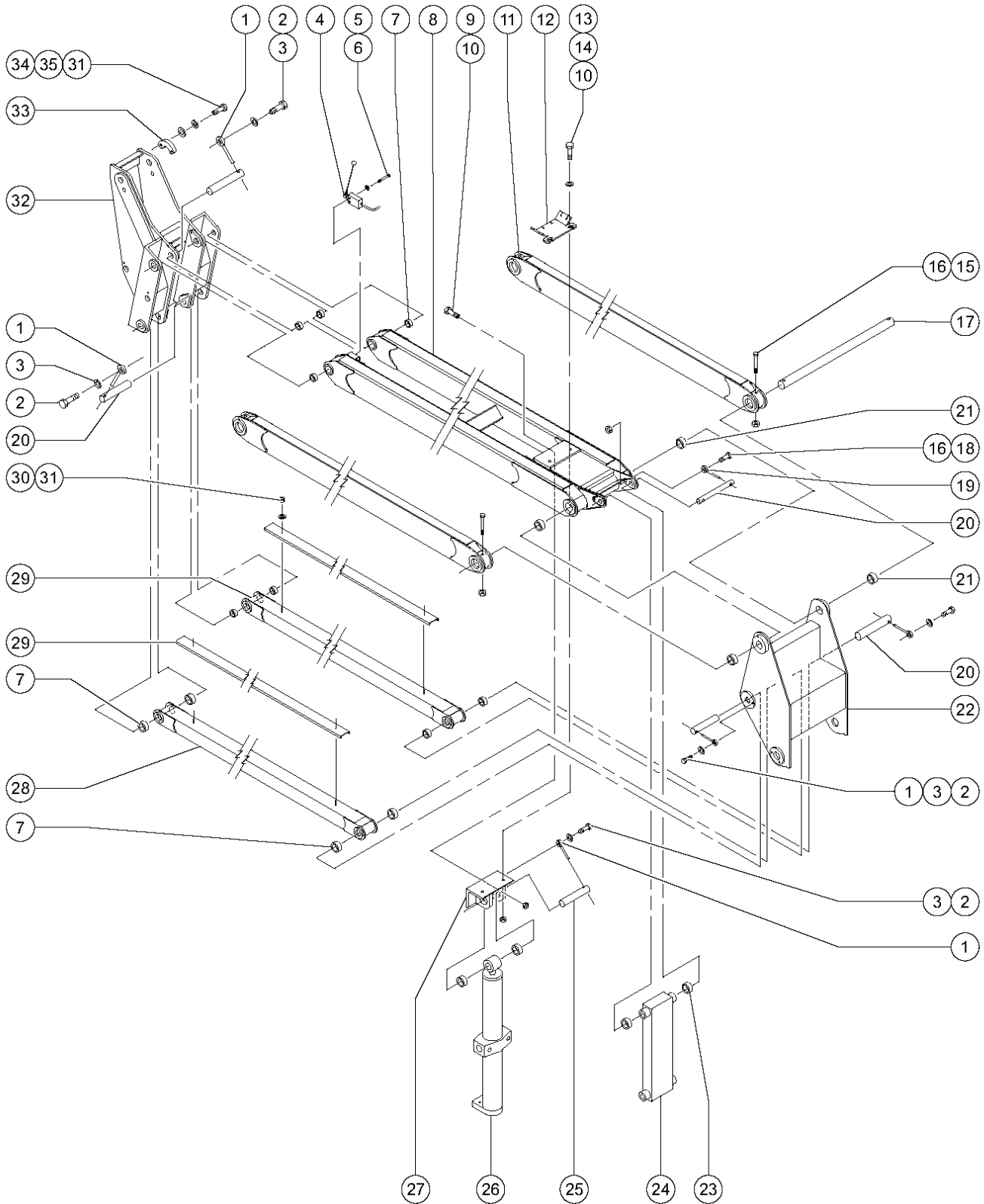
601.1 Secondary Boom - View 1



601.1 Secondary Boom - View 1

Item	Part No.	Description	Qty.	Item	Part No.	Description	Qty.
1	5387GT	SCREW,HHC,3/8-16 X 4.....	2	23	18722GT	BEARING,2.25IDX2.50ODX1.50L***.....	6
2	4828GT	NUT,NYLOCK,3/8-16.....	2	24	88366-14GR5GT	SWITCH,LIMIT,W/ROLLER HEAD***.....	1
3	30198GT	PIN,2.25DIAX31.75LG,2HOLE.....	2	--	19491GT	CONTACTOR,LIMIT SWITCH.....	1
4	30050-SGT	LOWER TENSION MEMBER WELDMENT.....	1	25	226419GT	BRKT.,LWR LIMIT SWITCH.....	1
5	7713GT	NUT, LP NYLOCK, 3/8-16.....	2	26	8914GT	SCREW,HHC,1/4-20 X .625.....	2
6	12981GT	SCREW,HHC,3/8-16 X 4.5.....	2	27	22541GT	SCREW,RHM,10-32 X 1.5.....	2
7		CYLINDER, SECONDARY LIFT Z60..... <i>previous cylinders 30044, 63208 and 121854 are no longer available. For replacement order cylinder part 1264387</i>	1	28	6178GT	NUT,NYLOCK,10-32.....	2
--	1262633GT	BEARING,POLYGON,BM5120 <i>used with cylinder 126438</i>		29	27695GT	BEARING,FL,1.75IDX1.94ODX1.50L.....	2
--	1264387GT	CYLINDER, SECONDARY LIFT Z60		30	30199GT	PIN,1.75 DIAX4.50LG,THREADED.....	2
--	31079GT	SEAL KIT,HYDRAULIC CYLINDER..... <i>used with cylinder 30044</i>	1	31	30341P-SGT	COVER,CABLE..... <i>ground controls/tank side</i>	1
--	31080GT	SEAL KIT,HYDRAULIC CYLINDER <i>used with cylinder 30043</i>		32	30340P-SGT	COVER,CABLE..... <i>engine side</i>	1
--	31106GT	VALVE,CNTERBAL,CBBB-LHN@3000**. <i>used with cylinder 30044, 30043 and 63208</i>	1	33	6091GT	NUT,NYLOCK,1/4-20.....	10
--	31310GT	BEARING,GARLOCK,28DU24..... <i>used with cylinder 30044, 63208 and 121854</i>	1				
--	32722GT	VALVE,COUNTERBAL.CBCG-LJN@3000. <i>used with cylinder 121854 and 1264387 (Retract)</i>	1				
--	40405GT	VALVE,CNTERBAL.CBBB-LHN@3000**. <i>used with cylinder 121854 and 1264387 (Extend)</i>	1				
--	63348GT	SEAL KIT,CYL,Z60 (63208) <i>used with cylinders 63208, 121854 and 1264387</i>					
8	31306GT	CONNECTING LINK ASSY..... <i>includes index number 9</i>	1				
9	30222GT	BEARING,FL,1.25IDX1.41ODX1.50L.....	4				
10	6326GT	SCREW,HHC,3/8-16 X 3.....	1				
11	5397GT	WASHER,FLAT,USS,5/16",Y.....	1				
12	825019GT	ROD END,.375X3.69,ZAG.....	1				
13	30202GT	PIN,1.25DIAX14.12LG,1HOLE.....	1				
14	10597GT	SCREW,HHC,1/2-13 X 1.25 GR5.....	2				
15	6033GT	WASHER,LOCK,0.5".....	2				
16	1256267GT	ROD END,.5 X 3.75,ZAG.....	2				
17	30201GT	PIN,2.25DIAX24.63LG,1HOLE.....	2				
18	46005GT	LOWER LIMIT SWITCH CAM.....	1				
19	6888GT	SCREW,HHC,1/4-20 X 1.....	2				
20	6356GT	WASHER,LOCK,.25.....	4				
21	6638GT	WASHER,FLAT,USS,1/4"Y.....	10				
22	31305GT	LOWER SECONDARY BOOM ASSY..... <i>includes index number 29 and 23</i>	1				

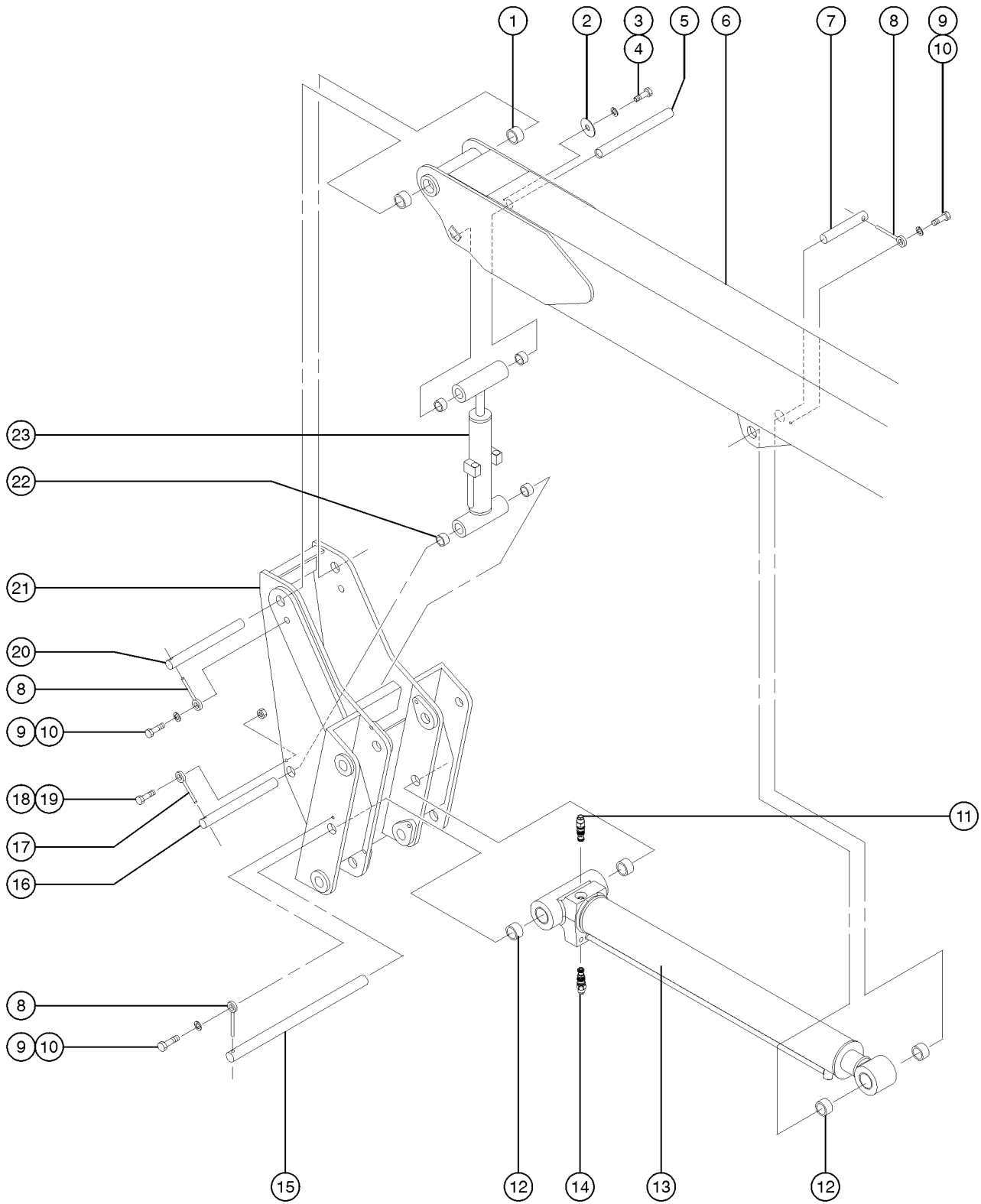
602.1 Secondary Boom - View 2



602.1 Secondary Boom - View 2

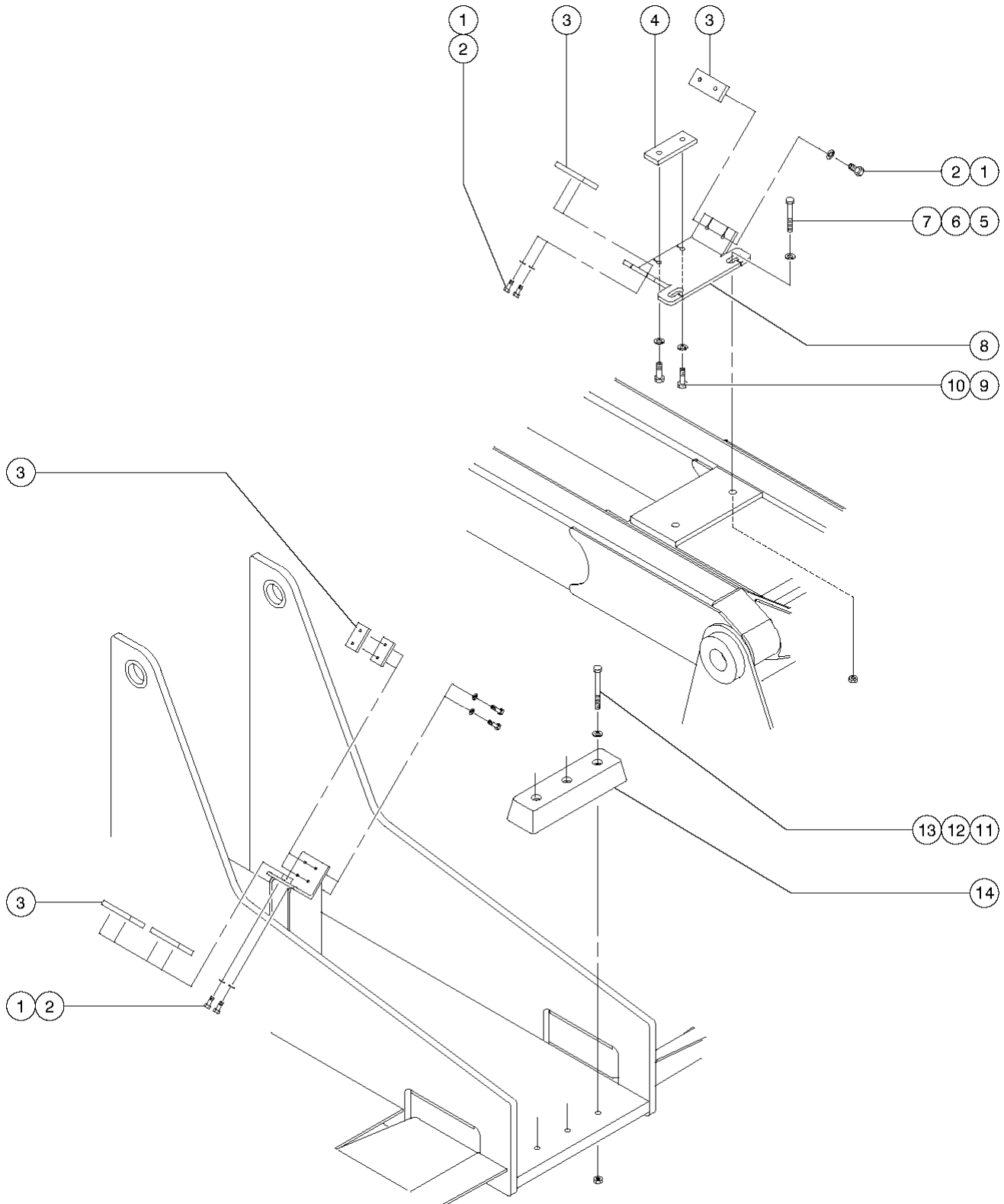
Item	Part No.	Description	Qty.	Item	Part No.	Description	Qty.
1	1256267GT	ROD END,.5 X 3.75,ZAG.....	5	35	6356GT	WASHER,LOCK,.25.....	2
2	10597GT	SCREW,HHC,1/2-13 X 1.25 GR5.....	5				
3	6033GT	WASHER,LOCK,0.5".....	5				
4	63173-SGT	LIMIT SWITCH ASSY,Z60 LINKAGE.....	1				
--	53983GT	STRAIN RELIEF, PG13,5.....	1				
5	22541GT	SCREW,RHM,10-32 X 1.5.....	2				
6	6607GT	WASHER,LOCK,#10 PLTD.....	2				
7	119620GT	BEARING,1.75IDX2.00ODX1.50L.....	12				
8	31308GT	UPPER SECONDARY BOOM ASSY.....	1				
		<i>includes index number 7 and 21; to SN 2413</i>					
--	111373GT	Z60 UPPER SECONDARY BOOM ASSY					
		<i>includes index number 7 and 21; from SN 2414</i>					
9	29883GT	SCREW,HHC,5/8-11 X 1.75 GRD.8.....	2				
10	6024GT	NUT,NYLOCK,5/8-11.....	4				
11	30050-SGT	LOWER TENSION MEMBER					
		WELDMENT.....	1				
12		Ref Primary Boom Rest (refer to Figure 604.1).....	1				
13	13003GT	SCREW,HHC,5/8-11 X 3.5 GRD.8.....	2				
14	13064GT	WASHER,FLAT,.625 HARDENED.....	2				
15	5387GT	SCREW,HHC,3/8-16 X 4.....	4				
16	4828GT	NUT,NYLOCK,3/8-16.....	5				
17	30198GT	PIN,2.25DIAX31.75LG,2HOLE.....	2				
18	13918GT	SCREW,HHC,3/8-16 X 1.75,GRD.8.....	1				
19	825019GT	ROD END,.375X3.69,ZAG.....	1				
20	30193GT	PIN,1.75DIAX8.50LG,1HOLE.....	6				
21	18722GT	BEARING,2.25IDX2.50ODX1.50L***.....	4				
22	31309GT	LOWER MIDPIVOT ASSY,Z60.....	1				
		<i>includes 2 of index number 21</i>					
23	30222GT	BEARING,FL,1.25IDX1.41ODX1.50L.....	4				
24	31306GT	CONNECTING LINK ASSY.....	1				
		<i>includes index number 23</i>					
25	30328GT	PIN,1.75DIAX6.00LG,1HOLE.....	1				
26		Ref CYLINDER, SECONDARY LIFT Z60 (refer to Figure 601.1).....	1				
27	30180-SGT	WELDMENT, CYLINDER MOUNTING....	1				
28	31307GT	UPPER LEVELING LINK ASSY.....	2				
		<i>includes 4 of index number 7</i>					
29	30339P-SGT	COVER,CABLE,UPR TNSN ARM,PTD...2					
30	6091GT	NUT,NYLOCK,1/4-20.....	6				
31	6638GT	WASHER,FLAT,USS,1/4"Y.....	8				
32	30052P-SGT	UPPER PIVOT WELDMENT,PAINTED....	1				
33	46004GT	UPPER LIMIT SWITCH CAM.....	1				
34	6888GT	SCREW,HHC,1/4-20 X 1.....	2				

603.1 Upper Mid-pivot



Item	Part No.	Description	Qty.
1	119620GT	BEARING,1.75IDX2.00ODX1.50L.....	2
2	12906GT	WASHER,FENDER,.25 X 1.25 X.062.....	1
3	7339GT	SCREW,HHC,1/4-20 X .5.....	1
4	6356GT	WASHER,LOCK,.25.....	1
5	30192GT	PIN,MASTER CYLINDER.....	1
6		Ref. PRIMARY BOOM TUBE ASSY (refer to 605.1)	
7	30194GT	PIN,1.75DIAX5.25LG,1HOLE.....	1
8	1256267GT	ROD END,.5 X 3.75,ZAG.....	3
9	10597GT	SCREW,HHC,1/2-13 X 1.25 GR5.....	3
10	6033GT	WASHER,LOCK,0.5".....	3
11	32722GT	VALVE,COUNTERBAL.CBCG-LJN@3000 <i>use with cylinder part 121853 and 1264388</i>	
12	31310GT	BEARING,GARLOCK,28DU24.....	4
		<i>use with cylinder part 63207 and 121853</i>	
--	1262633GT	BEARING,POLYGON,BM5120 <i>use with cylinder part 1264388</i>	
13		CYLINDER, LIFT <i>Previous cylinders part 63207 and 121853 are no longer available. For replacement order cylinder part 1264388</i>	
--	1264388GT	CYLINDER, PRIMARY LIFT Z60	
--	63347GT	SEAL KIT CYL.Z60(63207)	
14	31106GT	VALVE,CNTERBAL,CBBB-LHN@3000** <i>(not shown) use with cylinder part 63207</i>	
--	40405GT	VALVE,CNTERBAL,CBBB-LHN@3000** <i>use with cylinder part 121853</i>	
15	30195GT	PIN,1.75DIAX18.13LG,1HOLE.....	1
16	30196GT	PIN,1.25DIAX11.50LG,1HOLE.....	1
17	825019GT	ROD END,.375X3.69,ZAG.....	1
18	8516GT	SCREW, HCC, 3/8-16 X 1.50.....	1
19	4828GT	NUT,NYLOCK,3/8-16.....	1
20	30191GT	PIN,1.75DIAX13.50LG,1HOLE.....	1
21	30052P-SGT	UPPER PIVOT WELDMENT,PAINTED....	1
22	65463GT	BEARING,GARLOCK 20DU12.....	4
23	63211GT	CYLINDER, MASTER.....	1
		<i>includes index number 22</i>	
--	63351GT	SEAL KIT,CYL,Z60 (63211)	

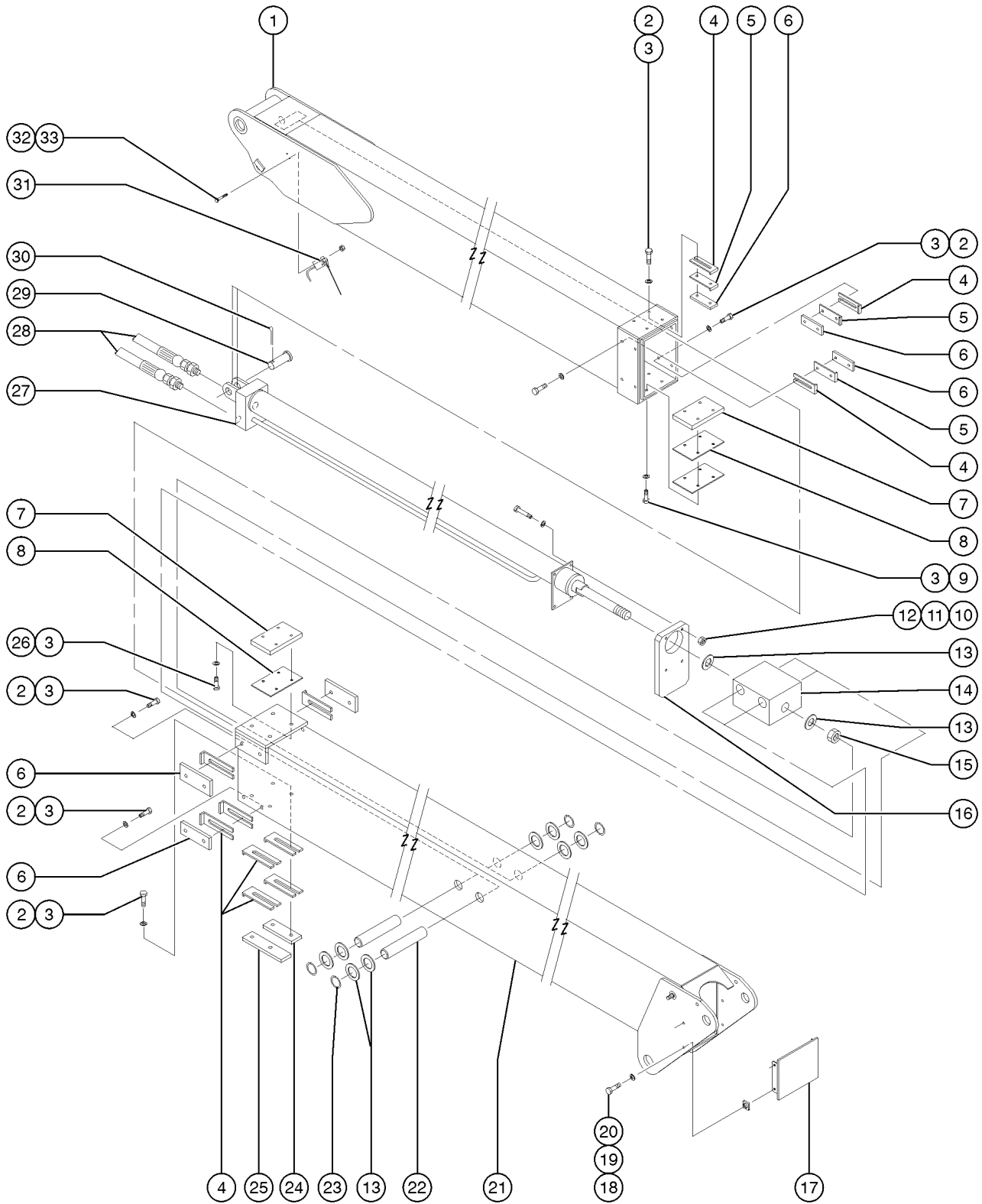
604.1 Upper Mid-pivot and Primary Boom Rests



604.1 Upper Mid-pivot and Primary Boom Rests

Item	Part No.	Description	Qty.
1	6090GT	SCREW,HHC,1/4-20 X .75.....	8
2	6356GT	WASHER,LOCK,.25.....	12
3	45209GT	WEAR PAD,4X2X.5 W/INSERT***.....	6
4	53811GT	WEAR PAD,5X1.5X1 W/INSERTS.....	2
5	13003GT	SCREW,HHC,5/8-11 X 3.5 GRD.8.....	2
6	13064GT	WASHER,FLAT,625 HARDENED.....	2
7	6024GT	NUT,NYLOCK,5/8-11.....	2
8	30333PGT	PRIMARY BOOM REST,PAINTED.....	1
9	6175GT	SCREW,HHC,3/8-16 X 1.....	2
10	6021GT	WASHER,LOCK,.375.....	2
11A	8357GT	SCREW,HHC,1/2-13 X 3.5..... to SN 2312	3
11B	17712GT	SCREW,FHS,3/8-16 X 1.75 from SN 2313	
12A	6095GT	WASHER,FLAT,USS,1/2",Y..... to SN 2312	3
12B	13066GT	WASHER,FLAT,.5 HARDENED from SN 2313	
13A	6086GT	NUT,LP NYLOCK,1/2-13..... to SN 2312	3
13B	6198GT	NUT,NYLOCK,1/2-13 from SN 2313	
14A	30424GT	REST PAD, LOWER ARM..... to SN 2312	1
14A	49510GT	SPACER,REST PAD,Z60..... to SN 2312	1
14B	63374GT	WEAR PAD, BOOM REST..... from SN 2313	1

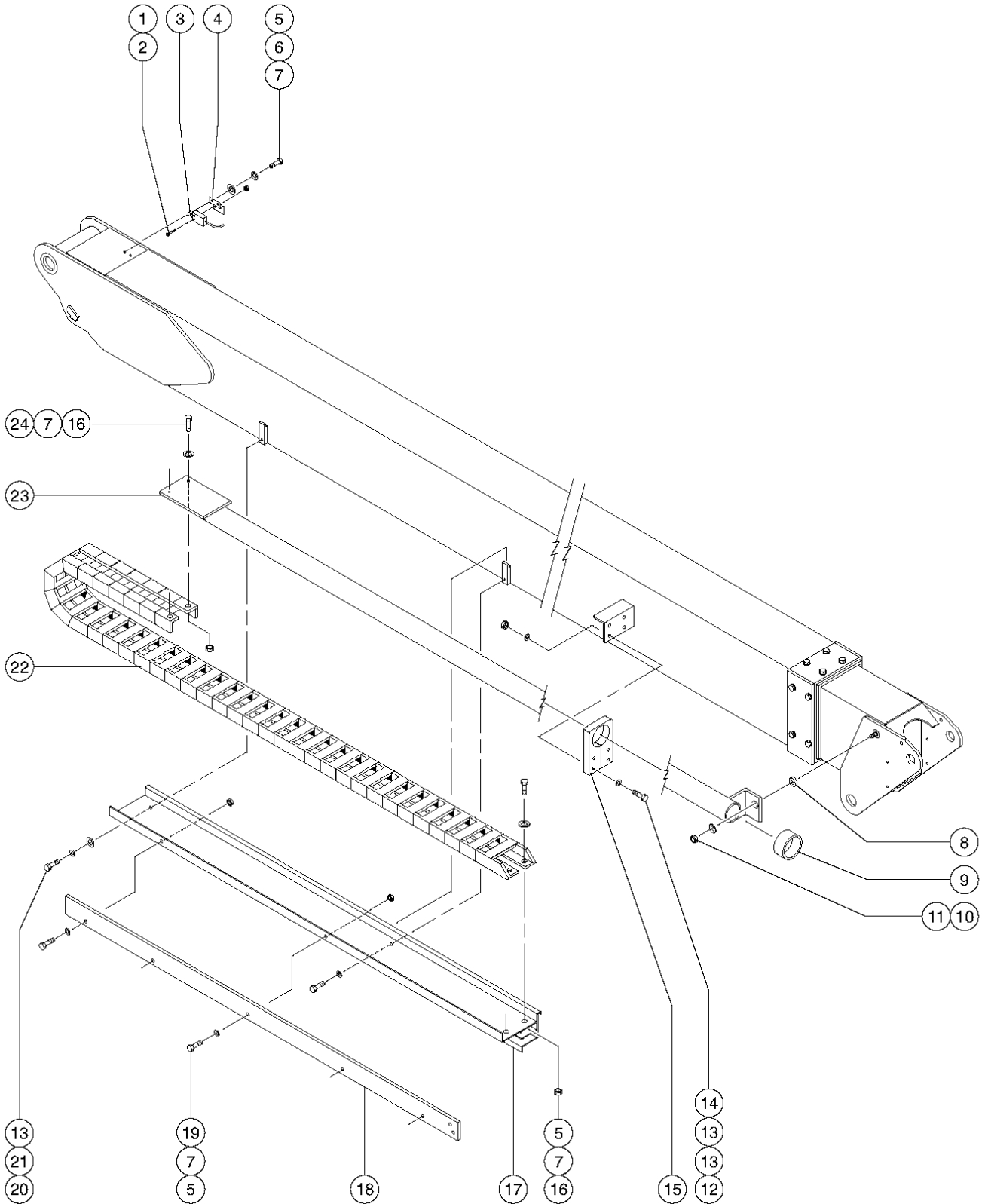
605.1 Primary and Extension Booms



605.1 Primary and Extension Booms

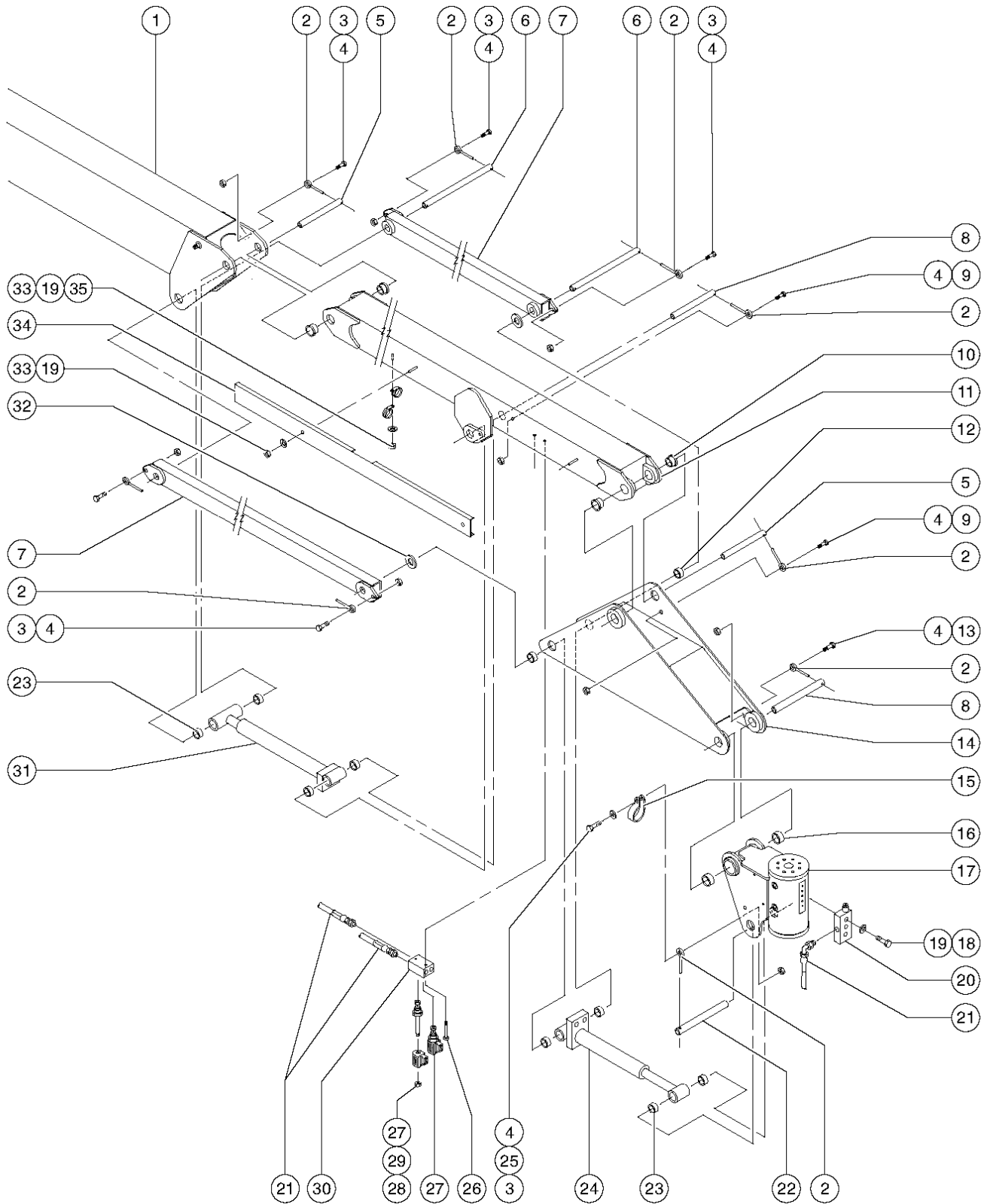
Item	Part No.	Description	Qty.	Item	Part No.	Description	Qty.
1	102986GT	PRI BOOM TUBE ASSY W/WORD DECA.....	1	--	31082GT	VALVE,COUNTERBALANCE 2500 PSI*.....	1
--	102987GT	PRI BOOM TUBE ASSY W/SYM DECAL				<i>use with cylinders 89060 (retract), 29267 or 63203</i>	
2	6175GT	SCREW,HHC,3/8-16 X 1.....	24	--	89296GT	SEAL KIT,CYLINDER (89060).....	1
3	6021GT	WASHER,LOCK,.375.....	32			<i>use with cylinders 89060 and 111177</i>	
4	29080GT	SHIM,WEAR PAD,5X 1.5 16GA.....	10	--	63343GT	SEAL KIT CYL.Z60(63203).....	1
5	38620GT	SHIM,WEAR PAD,5 X 1.5,14GA.....	6			<i>use with cylinder 63203</i>	
6	30137GT	WEAR PAD,5 X 1.5 X .50 W/NUTS.....	10	--	29183GT	SEAL KIT,25212,25217,25372,S60 <i>use with cylinder 29267</i>	
7	30139GT	WEAR PAD,6.5 X 5 X .625 W/INSER.....	2	28		Ref. Hydraulic Hoses and Fittings (refer to Figure 608.1).....	1
8	30472GT	SHIM,PRIMARY BOOM,.064 THK.....	3	29	19440GT	PIN,CLEVIS,1 X 2.5 LG.....	1
9	6019GT	SCREW,HHC,3/8-16 X 1.25 GRD 5.....	4	30	5361GT	PIN,COTTER,.125 X 1.5.....	1
10	6091GT	NUT,NYLOCK,1/4-20.....	4	31	122286GT	SWITCH,LIMIT,W/6.5"FORMED ARM.....	1
11	6638GT	WASHER,FLAT,USS,1/4"Y.....	4	--	122287GT	SPRING ARM,6.5",FORMED,90D.....	1
12	8179GT	SCREW,HHC,1/4-20 X 2.25.....	4			<i>part of 122286</i>	
13	30255GT	WASHER,SHIM,1.27 X 2.13 X .062.....	10	--	88356-11773GT	SWITCH,LIMIT,TABULATED,BLUE.....	1
14	30116GT	CYLINDER MOUNT BAR.....	1			<i>part of 122286</i>	
15	45303GT	NUT,NYLOCK,1.125-12.....	1	32	22541GT	SCREW,RHM,10-32 X 1.5.....	2
16	30272GT	PAD,EXTENSION CYLINDER.....	1	33	6178GT	NUT,NYLOCK,10-32.....	2
17	30021PGT	EXTENSION TUBE END CAP,PAINTED.....	1				
18	6888GT	SCREW,HHC,1/4-20 X 1.....	4				
19	6356GT	WASHER,LOCK,.25.....	4				
20	56912GT	SPRING CLIP,1/4-20,.025-.15X.54,ZAG.....	4				
21	31086GT	EXTENSION BOOM TUBE ASSY,Z60....	1				
22	30186GT	PIN,1.25DIAX6.67LG,2RING.....	2				
23	824164GT	SNAP RING,EXTERNAL,1.25,ZAG.....	4				
24	30138GT	WEAR PAD,5 X 1.5 X .625 W/NUTS.....	1				
--	30137GT	WEAR PAD,5 X 1.5 X .50 W/NUTS <i>from SN 2532</i>					
25	30138GT	WEAR PAD,5 X 1.5 X .625 W/NUTS.....	1				
--	63376GT	WEAR PAD, LIMIT SWITCH CAM <i>from SN 2415</i>					
26	8255GT	SCREW,HHC,3/8-16 X .75.....	4				
27	111177GT	CYL,EXT,2.5 X 112.25,Z60.....	1			<i>replaces older cylinders 29267, 63203 and 89060</i>	
--	36648GT	VALVE,COUNTERBALANCE 2500 PSI* <i>use with cylinder 111177 (extend)</i>					
--	74872GT	VALVE,COUNTERBALANCE 3000 PSI* <i>use with cylinder 111177 (retract)</i>					
--	75849GT	VALVE,COUNTERBALANCE 2500PSI....	1			<i>use with cylinder 89060 (extend)</i>	

606.1 Cable Track



Item	Part No.	Description	Qty.
1	22541GT	SCREW,RHM,10-32 X 1.5.....	2
2	6178GT	NUT,NYLOCK,10-32.....	2
3	88366-146R5GT	SWITCH,LIMIT,W/ROLLER HEAD***	1
--	19491GT	CONTACTOR,LIMIT SWITCH.....	1
4	46002PGT	UPPR. LIMIT SWITCH BRKT.,BLUE.....	1
5	8914GT	SCREW,HHC,1/4-20 X .625.....	9
6	6356GT	WASHER,LOCK,.25.....	2
7	6638GT	WASHER,FLAT,USS,1/4"Y.....	11
8	30388GT	PIVOT TUBE/SPACER Z60.....	2
9	30387GT	CABLE PROTECTOR.....	1
10	6198GT	NUT,NYLOCK,1/2-13.....	1
11	6095GT	WASHER,FLAT,USS,1/2",Y.....	1
12	13918GT	SCREW,HHC,3/8-16 X 1.75,GRD.8.....	4
13	5397GT	WASHER,FLAT,USS,5/16",Y.....	10
14	7713GT	NUT, LP NYLOCK, 3/8-16.....	4
15	30389GT	TRACK TUBE GUIDE.....	1
16	6091GT	NUT,NYLOCK,1/4-20.....	4
17	31492GT	CABLE TRACK CHANNEL ASSY..... <i>to SN 2320</i>	1
--	102529GT	CABLE TRACK CHANNEL ASSY,Z-60.... <i>from SN 2321</i>	1
--	27258GT	TRIM,RUBBER EDGE,5/8 (BY INCH) <i>order as needed</i>	
18	30390-SGT	COVER,CABLE TRACK TRAY,DRILLED.....	1
19	6889GT	NUT,LP NYLOCK,1/4-20.....	5
20	8255GT	SCREW,HHC,3/8-16 X .75.....	2
21	6021GT	WASHER,LOCK,.375.....	2
22	30377GT	TRACK,PLASTIC CABLE,43 LINKS.....	1
--	58919GT	REPAIR LINK,7 LINKS***.....	1
--	58920GT	REPAIR LINK END SET (42763)*.....	1
--	58927GT	LINK,NYLATRAC KS6-5.4***	1
23	30315GT	TRACK TUBE WELDMENT.....	1
24	6888GT	SCREW,HHC,1/4-20 X 1.....	2

607.1 Jib Boom and Platform Rotator



607.1 Jib Boom and Platform Rotator

Item	Part No.	Description	Qty.	Item	Part No.	Description	Qty.
1	31086GT	EXTENSION BOOM TUBE ASSY,Z60....1		--	37090GT	VALVE,COUNTERBALANCE 2000PSI....1 to SN 3023	
2	825019GT	ROD END,.375X3.69,ZAG.....9		--	56929GT	MANIFOLD,ROTATOR,180 DEG.***.....1 from SN 3024	
3	8516GT	SCREW, HCC, 3/8-16 X 1.50.....6		--	62506GT	VALVE - COUNTERBALANCE**.....1 from SN 3024	
4	4828GT	NUT,NYLOCK,3/8-16.....10		--	62507GT	O-RING, ROTATOR MANIFOLD.....1	
5	30188GT	PIN,1.25DIAX8.50LG,1HOLE.....2		21		Ref. Hydraulic Hoses and Fittings (refer to Figure 608.1).....1	
6	30189GT	PIN,1.25DIAX13.75LG,2HOLE.....2		22	T108075GT	PIN,1.25DIAX5.25LG,1HOLE.....1	
7	53258GT	COMPRESSION MEMBER WELD,MACH.....2		23	47377GT	BEARING,1.25 ID X 1.5 OD X .75.....8	
8	27326GT	PIN,1.25 X 7.57 IN,1HOLE.....2		24	226537GT	CYLINDER,SLAVE.....1 replaces previous cylinder 63212 (no longer available), includes item 23	
9	13918GT	SCREW,HHC,3/8-16 X 1.75,GRD.8.....2		--	29083GT	VALVE,COUNTERBALANCE,2500 PSI* use with cylinder 63212	
10	30219GT	BEARING,FL,1.25ID X 1.41OD X 1.....4		--	63352GT	SEAL KIT CYL.Z60(63212) use with cylinder 63212 or 226537	
11	31094GT	JIB BOOM ASSEMBLY.....1 includes index number 10		--	74872GT	VALVE,COUNTERBALANCE 3000 PSI* use with cylinder 226537	
12	30220GT	BEARING,1.25ID X 1.5OD X 0.69L.....4		25	27497GT	CLAMP,RUBBER CUSHIONED-2 5/32....1	
13	6019GT	SCREW,HHC,3/8-16 X 1.25 GRD 5.....1		26	21604GT	SCREW,HHC,3/8-16 X 3.25.....2	
14	31095GT	PLATFORM LEVELING ASSEMBLY.....1 includes 2 each of index number 12		27	29066GT	VALVE,SOLENOID,10V,2POS 3WAY**.....2	
15	27497GT	CLAMP,RUBBER CUSHIONED-2 5/32....1		--	62262GT	VALVE,SOLENOID N/O (LONG)***.....2 to SN 3483	
16	30370GT	BEARING,1.25ID X 1.5OD X 1.00L.....2 use with rotator part number 63509 or 94399		--	62267GT	VALVE,SOLENOID N/C (SHORT)***.....2 to SN 3483	
--	65799GT	BUSHING,FLANGE,ROTATOR 1" use with rotator part number 31096 and 35612; to SN 3023		--	75847GT	VALVE - SOLENOID, 2 POS 2 WAY.....2 from SN 3484	
17	94399GT	ROTATOR ASSEMBLY.....1 includes item 16, previous rotator 63509 is no longer available, order rotator 94399 for replacement; from SN 3024		--	75848GT	VALVE - SOLENOID 2 POS 2 WAY.....2 from SN 3484	
--	122944GT	SEAL KIT,8K ROTATOR***.....1 included with rotator part number 94399; from SN 3024		28	27814GT	COIL,SOLENOID,10V.....2	
--	13852GT	VALVE ASSY,BLEED***.....1 to SN 3023		--	62273GT	COIL,GREEN W/ 2 PIN CONNECTOR*	
--	31498GT	BEARING KIT,ROTATOR,9K***.....1 to SN 3023		29	45912GT	NUT,SOLENOID VALVE 2P3W.....2	
--	65842GT	SEAL KIT,UNIVERSAL,9K ROTATOR*....1 to SN 3023		--	52943GT	NUT,SOLENOID VALVE COIL.....2	
--	75395GT	BEARING KIT,PLAT ROTATOR,SUPER.....1 use with rotator part number 63509; to SN 3023		30	48905GT	CONN,520120-4***.....1 to SN 3483	
--	77876GT	ROTATOR ASSEMBLY KIT Z60.....1 includes item 16 and rotator 94399, previous rotators 31096, 35612 and 63509 are no longer available, order kit 77876 for first time replacement; to SN 3023		30	75700GT	MANIFOLD,MACHINED,JIB & ROTATE.....1	
18	6145GT	SCREW,HHC,1/4-20 X 1.5.....3		--	75849GT	VALVE,COUNTERBALANCE 2500PSI....1	
19	6638GT	WASHER,FLAT,USS,1/4"Y.....6		31	63214GT	CYLINDER,JIB,Z60.....1 includes 4 each index number 23	
20	35611GT	MANIFOLD,DUAL COUNTERBALANCE.....1 to SN 3023		--	31106GT	VALVE,CNTERBAL,CBBB-LHN@3000**..1	
				--	63354GT	SEAL KIT CYL.Z60(63214).....1	
				32	30255GT	WASHER,SHIM,1.27 X 2.13 X .062.....8 1	
				33	6091GT	NUT,NYLOCK,1/4-20.....3	

607.1 Jib Boom and Platform Rotator
(continued)

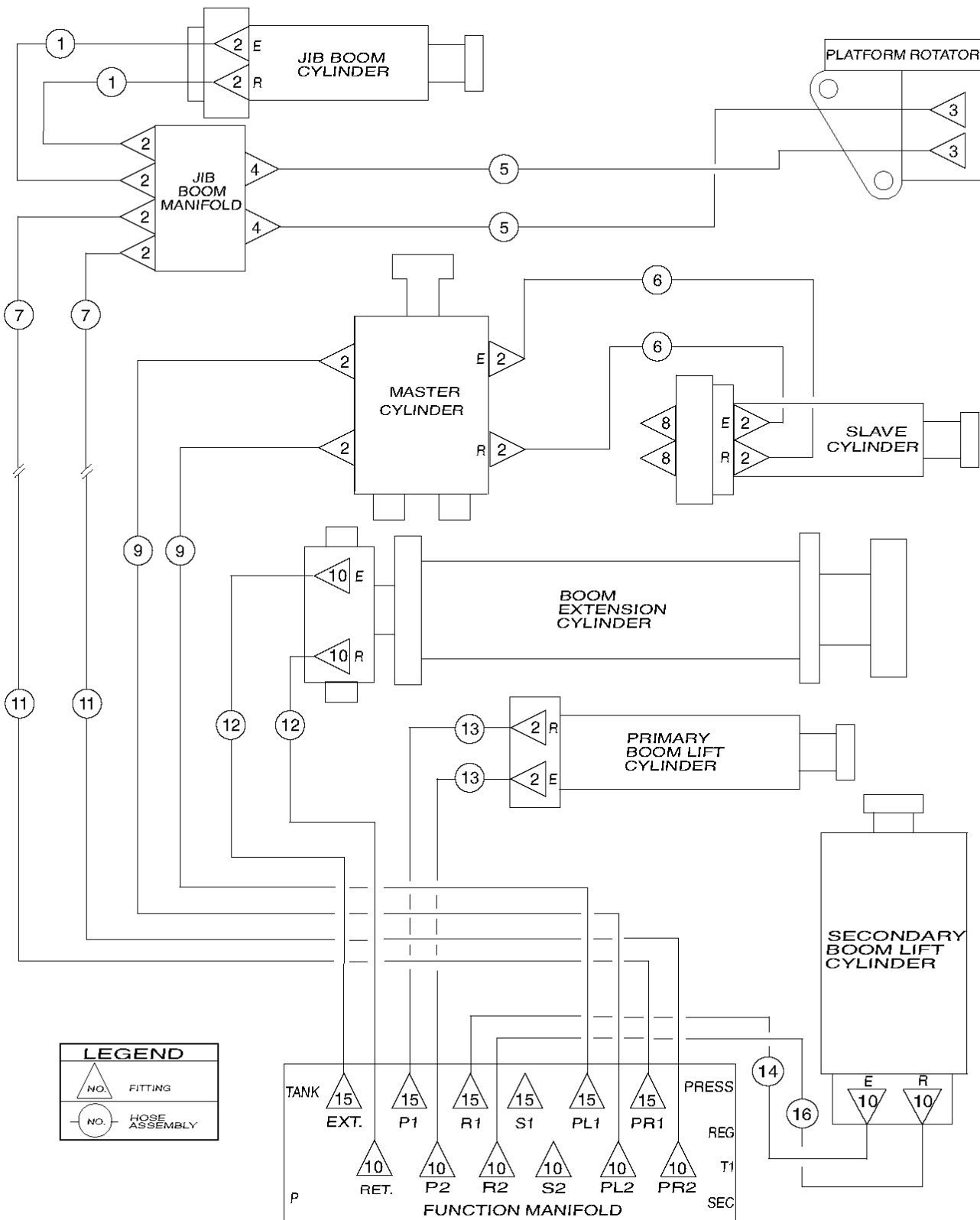
Item	Part No.	Description	Qty.
34	30411-SGT	COVER,CABLE,JIB PAINTED.....	1
35	18666GT	CLAMP,1.00,#16 X 1/4,RUB CUSH.....	2

Footnotes

1: Quantity listed for this item is approximate.
Actual quantity may vary to ensure proper fit.

This Page Intentionally Left Blank

608.1 Hydraulic Hoses and Fittings - Boom Components



608.1 Hydraulic Hoses and Fittings - Boom Components

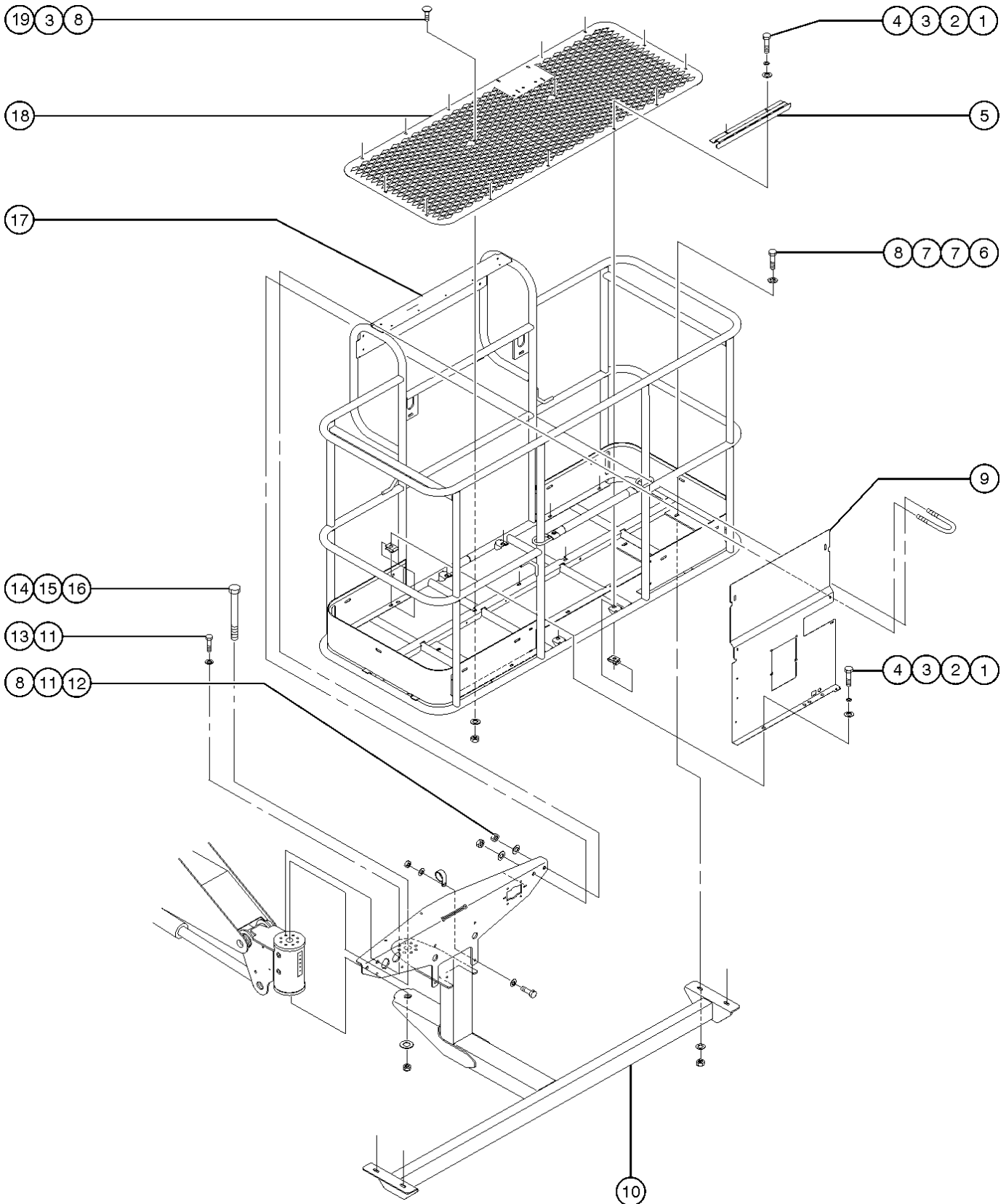
Item	Part No.	Description	Qty.
--	28750GT	O-RING KIT,FIELD SVC,ALL PROD*	
--	33994GT	PLUG AND CAP KIT-SERVICE,37 **	
--	49612GT	O-RING KIT (ORFS FITTINGS)	
--	49613GT	PLUG AND CAP KIT-SERVICE,ORFS*	
1	49119-1478SGT	HOSE ASSY,1/4,STR FEM,STR FEM.....2 1	
2	48912GT	CONN,520120-4-6***.....16	
3	48905GT	CONN,520120-4***.....2	
4	48913GT	CONN, 520120-4-6 0.030 ORIFICE.....2	
5	49117-5591GT	HOSE ASSY,1/4,90 FEM,STR FEM**.....2 2	
6	49119-5380SGT	HOSE ASSY,1/4,STR FEM,STR FEM.....2 2	
7	49119-4480SGT	HOSE ASSY,1/4,STR FEM,STR FEM.....2 2	
8	48998GT	NIPPLE,DIAGNOSTIC,#6 PORT***.....2	
--	20224GT	DIAGNOSTIC FEMALE Q-DSCNT.....2	
--	48880GT	CAP,DIAGNOSTIC NIPPLE.....2	
9	49118-41008GT	HOSE ASSY,1/4",90 FEM,STR F.....2 3	
10	48916GT	CONN, 520120-6.....10	
11	49123-42338SGT	HOSE ASSEMBLY,1/4.....2 4	
12	49128-43659SGT	HOSE ASSEMBLY,3/8.....2 4	
13	49128-40359SGT	HOSE ASSEMBLY,3/8.....2 4	
14	49128-23759SGT	HOSE ASSEMBLY,3/8.....1 4	
15	48917GT	CONN, LONG,520122-6.....6	
16	49128-22059SGT	HOSE ASSEMBLY,3/8.....1 4	

Item	Part No.	Description	Qty.
------	----------	-------------	------

Footnotes

- 1:** Hose End - Female, Swivel, ORFS (Parker No. 1JC43-4), Hose End - Female, Swivel, ORFS (Parker No. 1JC43-4) and Hose, 1/4 inch (Parker No. 451TC-4)
- 2:** Hose, 1/4 inch (Parker No. 451TC-4), Hose End - Female, Swivel, 90°, ORFS (Parker No. 1J943-4) and Hose End - Female, Swivel, ORFS (Parker No. 1JC43-4)
- 3:** Hose End - Female, Swivel, ORFS (Parker No. 1JC43-6), Hose End - Female, Swivel, 90°, ORFS (Parker No. 1J943-6) and Hose, 3/8 inch (Parker No. 451TC-6)
- 4:** Hose End - Female, Swivel, ORFS (Parker No. 1JM43-4), Hose End - Female, Swivel, 90°, ORFS (Parker No. 1J943-6-4) and Hose, 1/4 inch (Parker No. 451TC-4)

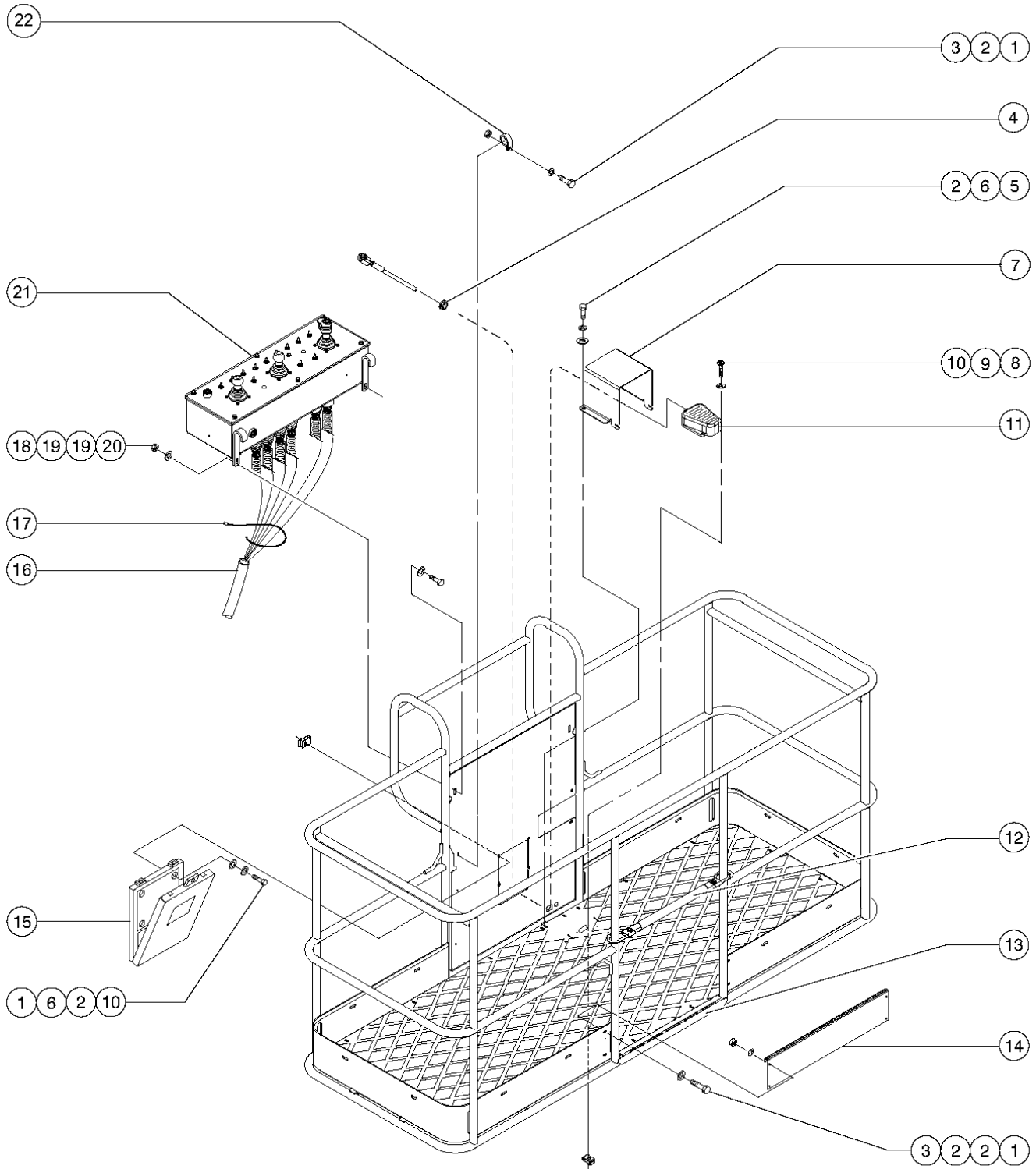
701.1 Platform Installation - View 1



701.1 Platform Installation - View 1

Item	Part No.	Description	Qty.	Item	Part No.	Description	Qty.
1	6090GT	SCREW,HHC,1/4-20 X .75.....	23	19	54274GT	SCREW,STEP BOLT,1/4-20 X .75.....	3
--	6090GT	SCREW,HHC,1/4-20 X .75.....	25			6 Foot/1.8 m platform assemblies	
2	6356GT	WASHER,LOCK,.25.....	17	--	54274GT	SCREW,STEP BOLT,1/4-20 X .75.....	5
--	6356GT	WASHER,LOCK,.25.....	19			8 Foot/2.4 m platform assemblies	
3	6638GT	WASHER,FLAT,USS,1/4"Y.....	26				
--	6638GT	WASHER,FLAT,USS,1/4"Y.....	28				
4	56912GT	SPRING CLIP,1/4-20,.025-.15X.54,ZAG.....	17				
--	56912GT	SPRING CLIP,1/4-20,.025-.15X.54,ZAG.....	19				
5	73610PGT	STEP PLATFORM ENTRY PAINTED***.....	1				
6	6019GT	SCREW,HHC,3/8-16 X 1.25 GRD 5.....	4				
7	6097GT	WASHER,FLAT,USS,3/8",Y.....	8				
8	4828GT	NUT,NYLOCK,3/8-16.....	4				
9	73574-SGT	DECAL PLATE ASSEMBLY.....	1				
--		from SN 3279					
--	73574-SGT	DECAL PLATE ASSEMBLY.....	1				
--		from SN 3317					
--	75516-SGT	DECAL PLATE ASSEMBLY.....	1				
--		to SN 3316					
10	50144-SGT	PLATFORM SUPPORT WELDMNT***.....	1				
--		to SN 3023					
--	60370-SGT	PLATFORM SUPPORT WELDMNT-SERV*.....	1				
--		from SN 3024					
11	57201GT	WASHER,FLAT,313, HARDENED.....	8				
12	6550GT	U-BOLT,3/8 X 1 YZ.....	2				
13	77692GT	SCREW,HHC,3/8-16 X 1 GRD 8.....	8				
14	73928GT	SCREW,HHC,1-8 X 11,GRD 5***.....	1				
15	122079GT	WASHER,FLAT,1.000,HARDENED.....	1				
16	29764GT	NUT,NYLOCK,1-8.....	4				
17	73900GT	WELDMNT,6 FT PLATFORM.....	1				
--		ANSI and CSA; no decals					
--	73977-SGT	WELDMNT W/DECALS,6FT,500LB CE.....	1				
--		CE					
--	73976GT	PLATFORM RAIL ASSY, 8FT, ANSI.....	1				
--		ANSI and CSA					
--	73978GT	WELDMNT W/DECALS,8FT,500LB CE.....	1				
--		CE					
18	60954-SGT	FLOORING,6 FT PLATFORM,SERVIC... to SN 3278	1				
--	73477PGT	FLOORING, 6'FT PLATFORM.....	1				
--		from SN 3279					
--	73478PGT	FLOORING,8 FT PLATFORM**.....	1				
--		from SN 3317					

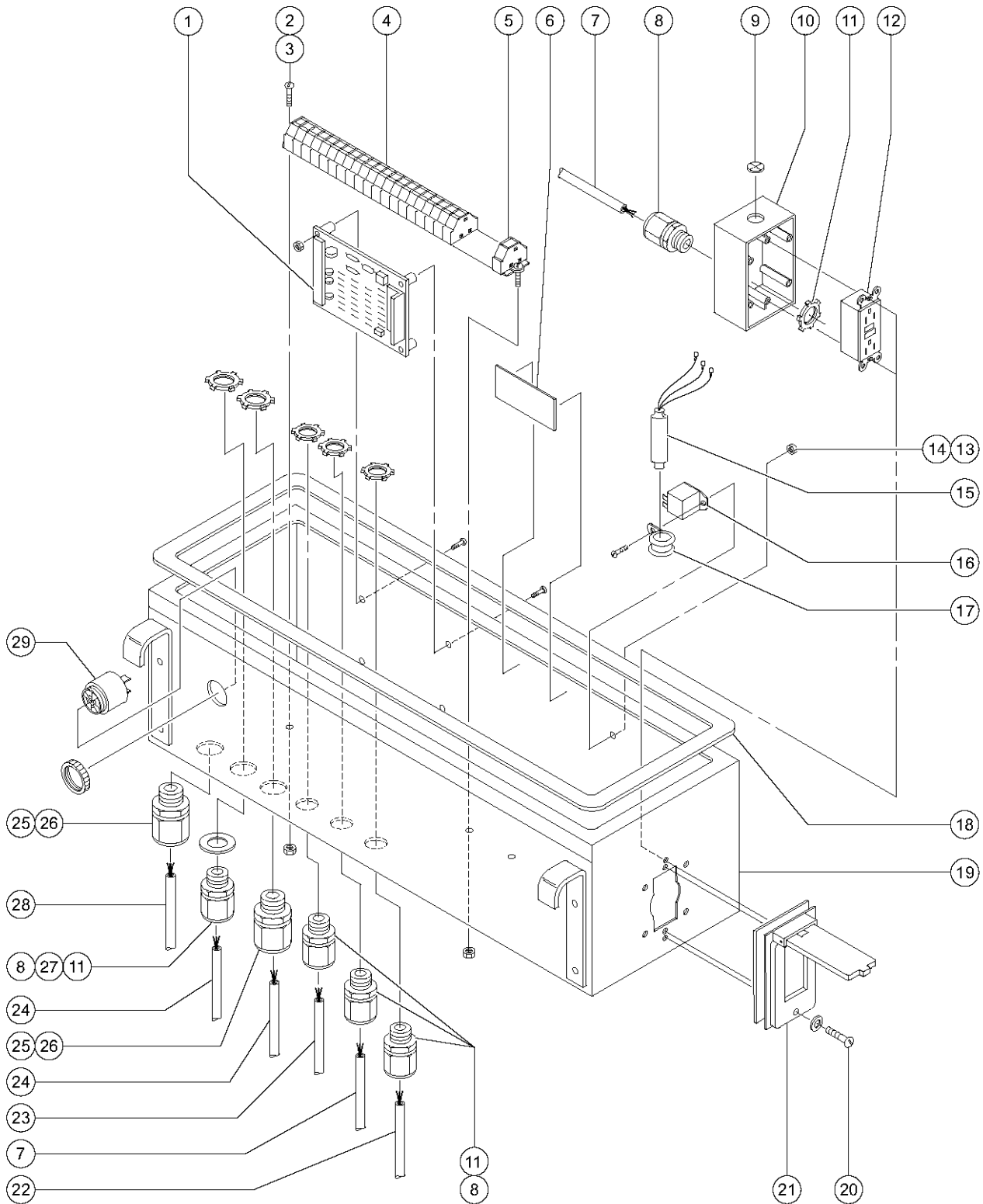
702.1 Platform Installation - View 2



702.1 Platform Installation - View 2

Item	Part No.	Description	Qty.	Item	Part No.	Description	Qty.
1	6090GT	SCREW,HHC,1/4-20 X .75.....	23	16	49219GT	SLEEVE,NYLON,2.19 ID,BULK	
--	6090GT	SCREW,HHC,1/4-20 X .75.....	25	17	28443GT	CABLE TIE,11.5" BLACK.....	3
2	6638GT	WASHER,FLAT,USS,1/4"Y.....	26	18	7713GT	NUT, LP NYLOCK, 3/8-16.....	2
--	6638GT	WASHER,FLAT,USS,1/4"Y.....	28	19	5397GT	WASHER,FLAT,USS,5/16",Y.....	4
3	6091GT	NUT,NYLOCK,1/4-20.....	2	20	6019GT	SCREW,HHC,3/8-16 X 1.25 GRD 5.....	2
4	229768GT	GROMMET,RUBBER,1.0X0.094X1.375..	1	21		Ref. Platform Controls (refer to Figures 703.1 and 704.1).....	2
5	8915GT	SCREW,HHC,1/4-20 X 1.25.....	2	22	56424GT	CLAMP,1.25X.5 RUBBER-CUSHION....	2
6	6356GT	WASHER,LOCK,.25.....	17				
--	6356GT	WASHER,LOCK,.25.....	19				
7	27528GT	FOOT SWITCH GUARD W/DECALZ45... to SN 3278	1				
--	63766GT	COVER,FOOT SWITCH..... CE; from SN 3279	1				
--	73931GT	GUARD,FOOTSWITCH,W/DECAL ALUM..... ANSI AND CSA; from SN 3279	1				
8	73587GT	SCREW,PHIL,10-24 X .75.....	1				
9	6607GT	WASHER,LOCK,#10 PLTD.....	2				
10	73575GT	SPRING CLIP,10-24,.025-.125X.468,ZAG.....	2				
11	73233GT	ASSEMBLY,FOOT SWITCH***.....	1				
--	13482GT	FOOT SWITCH***.....	1				
--	7056GT	CONN,SQUEEZE,1/2NPT .38-.50,SM....	1				
12	102992GT	SLIDING MIDRAIL KIT,PTD..... includes index numbers 8, 5, 11, and 12	1				
--	12443GT	MIDRAIL GUIDE (HOOK).....	1				
--	139451GT	TUBE,SLIDING MIDRAIL,PAINTED.....	1				
--	20973GT	WIRE LOOM,3/8 POLY SLIT.....	1				
--	21121GT	CABLE TIE,4" BLK,HEAT RESISTNT....	1				
13	54817P-SGT	TOEBOARD,PLTFM ENTRY EUR,PNTD*.....	1				
14	75675-SGT	PLATFORM ASSEMBLY Z-60 6FT..... ANSI and CSA; includes index 1, 2, 9, 10-12 and 19	1				
--	75676-SGT	PLATFORM ASSEMBLY Z-60 6FT***..... CE; includes index 1, 2 9-12, and 19	1				
--	54817P-SGT	TOEBOARD,PLTFM ENTRY EUR,PNTD*.....	1				
--	75679-SGT	PLATFORM ASSEMBLY 8FT Z-60..... ANSI and CSA; includes index 1, 2, 9-12 and 19	1				
--	75680-SGT	PLATFORM ASSEMBLY 8FT Z-60..... CE; includes index 1, 2, 9-12 and 19	1				
15	39552GT	BOX,INSTRUCTION STORAGE..... to SN 3278 (models with 6 foot platform)	1				
--	39552GT	BOX,INSTRUCTION STORAGE..... to SN 3316 (models with 8 foot platform)	1				
--	44743GT	MANUAL BOX W/DECALS***..... from SN 3317 (models with 8 foot platform)	1				

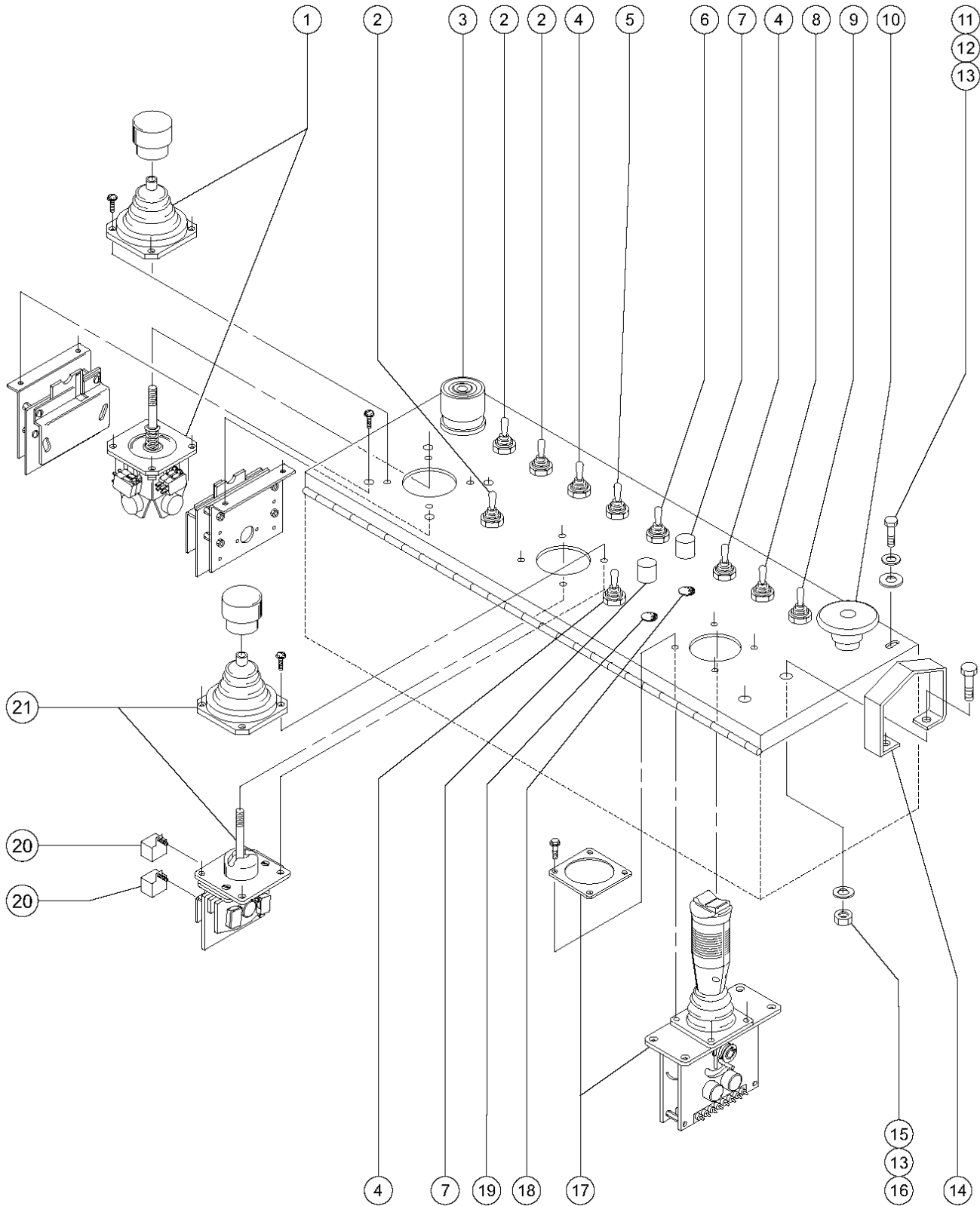
703.1 Platform Controls - View 1



703.1 Platform Controls - View 1

Item	Part No.	Description	Qty.
--	33996GT	SCREWDRIVER, TERMINAL BLOCK	
1	22052GT	LIMITER PC BOARD, HORSEPOWER...	1
--	39591GT	SPACER, NYLON, .375 <i>sold separately</i>	
2	49820GT	SCREW, PHILLIPS, PHM, 6-32 X .5.....	2
3	12344GT	NUT, NYLOCK, 6-32.....	2
4	32637GT	TERMINAL BLOCK, WAGO.....	43
--	32638GT	TERMINAL BLOCK, WAGO.....	2
5	32639GT	END PLATE, WAGO.....	1
6	30997GT	CORROSION INHIBITOR, FOAM.....	1
7	43956GT	WIRE CABLE, 14/3 CON. TPE JKT*.....	1044-inches
8	7056GT	CONN, SQUEEZE, 1/2NPT .38-.50, SM....	5
9	8843GT	COVER, KNOCK OUT HOLE, 4 PER BAG.....	1
10	10775GT	T-BOX, 2.75 X 4.5 X 2.0.....	1
11	6935GT	LOCKNUT, ELEC, 1/2".....	1
12	13585GT	OUTLET, 110V.....	1
--	33629GT	PLATE, UK POWER TO PLATFORM.....	1
--	33724GT	KIT, GASKET, UK POWER TO PLAT.....	1
--	T112563GT	SVC KIT, UK RECEPT. REPLACEMENT.....	1
13	54365GT	SCREW, PHIL, PHM, 10-32 X .5, SSTL....	1
14	6178GT	NUT, NYLOCK, 10-32.....	1
15	43181GT	CAPACITOR, TIME DELAY.....	1
16	19274GT	RELAY, SPDT, 12V(AUTO)**.....	1
17	13268GT	CLAMP, 0.75, #12 X 1/4, RUB CUSH.....	1
18	27115GT	GASKET, UPPER CONTROL BOX.....	1
19	65457-SGT	CONTROL BOX W/DECAL-Z60..... <i>includes index number 16</i>	1
20	12348GT	SCREW, RHM, 6-32 X .75.....	2
21	45437GT	COVER, GFCI, WEATHERPROOF..... <i>includes mounting fasteners</i>	1
22	43960GT	WIRE CABLE, 16/4 CON. TPE JKT.....	66-inches
23	43960GT	WIRE CABLE, 16/4 CON. TPE JKT.....	234-inches
24	35934GT	WIRE CABLE, 18/19 CON. TPRJKT.....	1008-inches
25	12960GT	CABLE SQUEEZE CONN., XTRA LRG...2	
26	14041GT	LOCKNUT, ELECTRIC, 3/4".....	2
27	34769GT	WASHER, REDUCING 3/4" TO 1/2".....	1
28	43955GT	WIRE CABLE, 12/3 CON. TPE JKT.....	1008-inches
29	45383GT	ALARM, WARBLE TONE 5-30 VDC***..... <i>Does not include 72326 nut</i>	1
--	72326GT	NUT - PLASTIC, RING FOR ALARMS.....	1

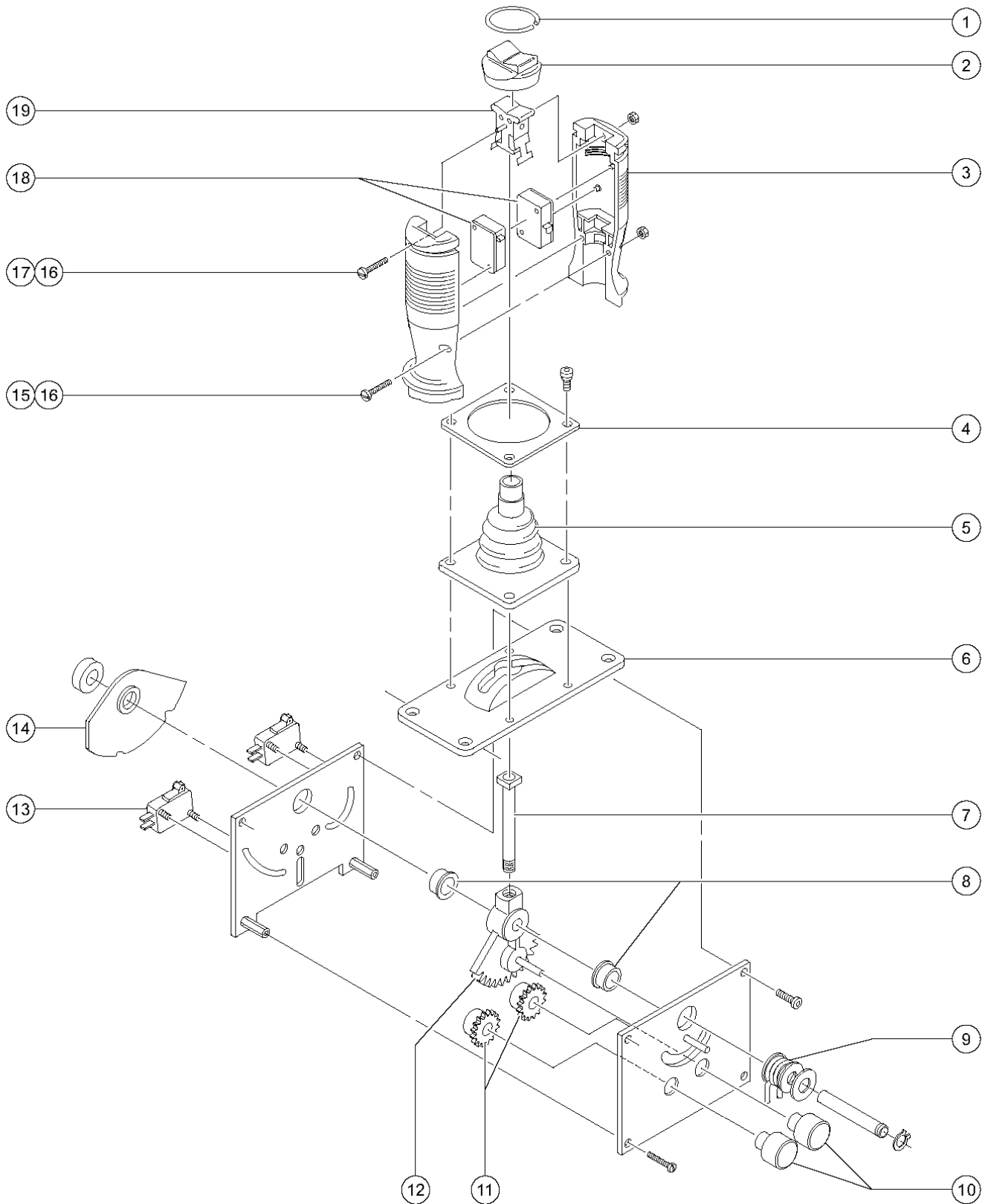
704.1 Platform Controls - View 2



704.1 Platform Controls - View 2

Item	Part No.	Description	Qty.	Item	Part No.	Description	Qty.
--	128578GT	SCREW T-SWITCH PH/PH 6-32X1/4		16	6889GT	NUT,LP NYLOCK,1/4-20.....	2
--	27246GT	BOOT,TOGGLE SWITCH,SHORT*		17		Ref., JOYSTICK CONTROLLER,12V..... <i>refer to 705.1</i>	1
1		Ref., JOYSTICK CONTROLLER,12V..... <i>refer to 707.1</i>		18	229567GT	PLUG,SANTOPRENE .5 BLACK DOME.....	1
2	128202GT	SWITCH TOGGLE ASSY DPDT 3P MOM..... <i>includes mounting fasteners</i>	3	--	128205GT	SWITCH TOGGLE ASSY DPDT 2P MNT.....	1
3	122513GT	KIT,HORN SVC BB&SM BOOM.....	1	1		<i>includes mounting fasteners; Option - CE Models</i>	
--	66813GT	BUTTON,PUSH,BLACK W/SEAL***..... <i>includes 1 each N.O. contact</i>	1	19	229567GT	PLUG,SANTOPRENE .5 BLACK DOME.....	1
--	66815GT	BASE, W/1 N.O. CONTACTS***.....	1	--	128205GT	SWITCH TOGGLE ASSY DPDT 2P MNT.....	1
4	128200GT	SWITCH TOGGLE ASSY SPDT 3P MOM..... 1 <i>includes mounting fasteners</i>	3	20	19274GT	RELAY,SPDT,12V(AUTO)**.....	2
5	128201GT	SWITCH TOGGLE ASSY DPDT 2P MOM..... <i>includes mounting fasteners</i>	1	21		Ref., JOYSTICK CONTROLLER,12V..... <i>refer to 706.1</i>	1
6	128205GT	SWITCH TOGGLE ASSY DPDT 2P MNT..... 1 <i>includes mounting fasteners</i>	1	Footnotes			
7	824879GT	LIGHT,LED IND. RED 12V NH..... <i>Ford Models</i>	1	1: Quantity listed may not reflect specific model configuration requirements.			
--	128200GT	SWITCH TOGGLE ASSY SPDT 3P MOM..... <i>includes mounting fasteners; Deutz Models</i>	1				
--	229567GT	PLUG,SANTOPRENE .5 BLACK DOME..... <i>Deutz Models</i>	1				
8	128206GT	SWITCH TOGGLE ASSY DPDT 3P MNT..... <i>includes mounting fasteners</i>	1				
9	128205GT	SWITCH TOGGLE ASSY DPDT 2P MNT..... <i>includes mounting fasteners; Ford Models</i>	1				
--	229567GT	PLUG,SANTOPRENE .5 BLACK DOME..... <i>Deutz Models</i>	1				
10	122514GT	KIT,ESTOP SVC BB&SM BOOM.....	1				
--	146478GT	BOOT(BELLOWS),E-STOP,BLACK					
--	66812GT	BUTTON,PUSH,RED MUSHROOM HEAD.....	1				
--	66818GT	CONTACT, N.C..... <i>includes 2 each N.C. contacts</i>	1				
--	66821GT	BASE,WITHOUT CONTACTS.....	1				
11	6090GT	SCREW,HHC,1/4-20 X .75.....	3				
12	6356GT	WASHER,LOCK,.25.....	3				
13	6638GT	WASHER,FLAT,USS,1/4"Y.....	5				
14	27033P-SGT	SUPPORT,WRIST,PAINTED-BLUE.....	1				
15	8914GT	SCREW,HHC,1/4-20 X .625.....	2				

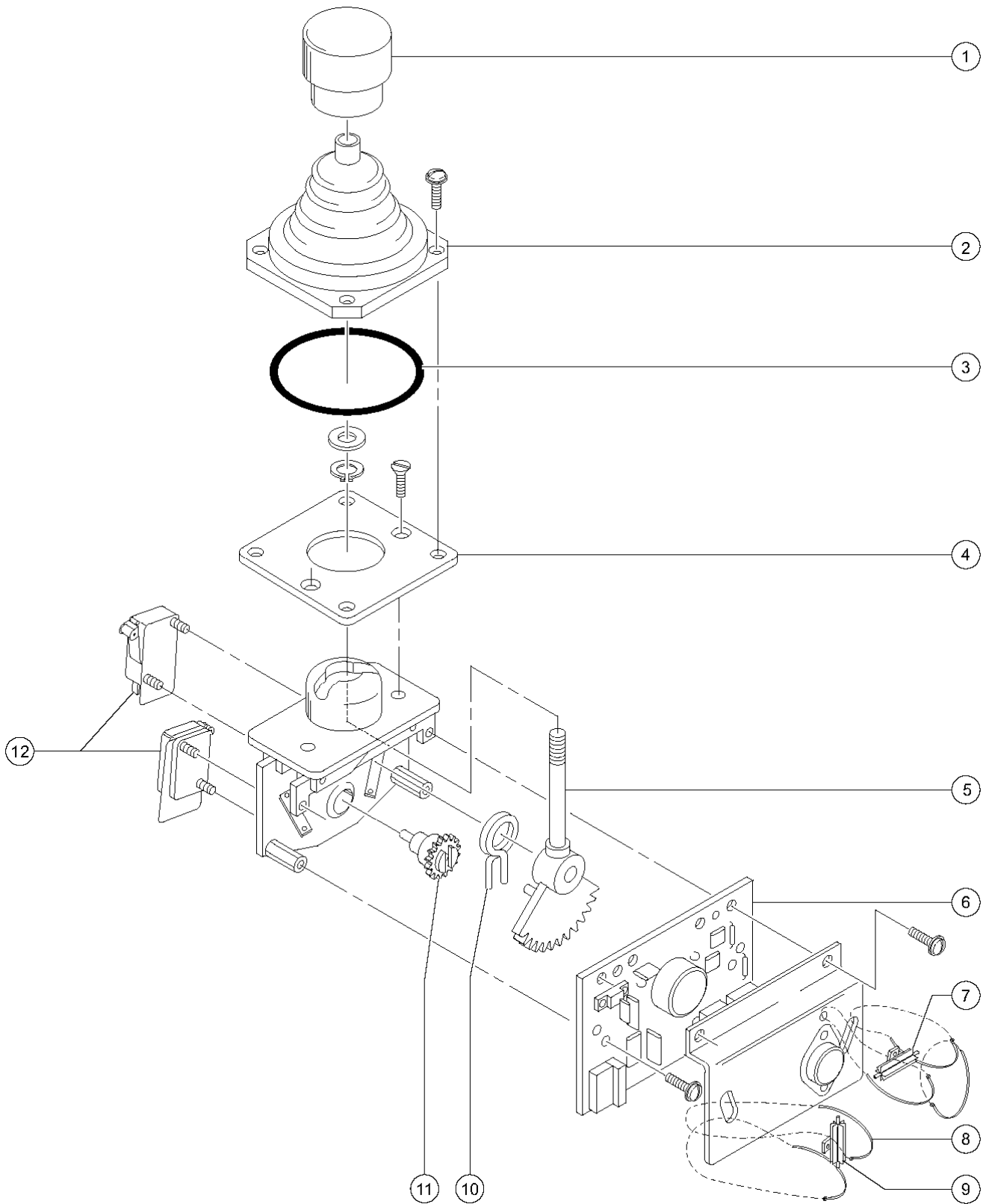
705.1 Joystick Controller - Drive/Steer Functions



705.1 Joystick Controller - Drive/Steer Functions

Item	Part No.	Description	Qty.
--	20424GT	JOYSTICK CONTROLLER,12V.....1 <i>OEM joystick, contains all shown service parts</i>	
--	20424HGT	JOYSTICK CONTROLLER,12V <i>aftermarket joystick replacement</i>	
1	25882GT	LOCK RING.....1	
2	25881GT	BOOT,THUMB 20424 JOYSTICK.....1	
3	25883GT	HANDLE HALF,JOYSTICK (20424).....2	
--	49887GT	NUT & BOLT KIT (25883)	
--	72245GT	KIT, JOYSTICK HANDLE <i>includes handles, rocker and nut/bolt kit</i>	
4	44221GT	COLLAR, BOOT RETAINING.....1	
5	22368GT	BOOT (20424).....1	
6	25884GT	COVER CASTING,20424 CONTROLLER.....1	
7	44211GT	SHAFT,W/NF STYL BLOCK,(20424)*.....1	
8	52778GT	BEARING,FLANGED,.376ID (20424)....2	
9	58209GT	SPRING,RETURN***.....1	
10	22364GT	POTENTIOMETER (20424).....2	
11	22367GT	SPUR GEAR (20424).....2	
12	44212GT	GEAR CASTING,20424 CONTROLLER*.....1	
13	22365GT	SWITCH (20424).....2	
14	22366GT	CAM ASSY (20424).....1	
15	52776GT	SCREW,HEX,M4X0.7X10MM (20424)*...2	
16	52777GT	NUT,HEX,M4 X 0.7 MM (20424)***.....3	
17	52775GT	SCREW,HEX,M4X0.7X30MM (20424)*...1	
18	23680GT	SWITCH,HANDLE,20424.....2	
19	23688GT	ROCKER ASSY,HANDLE (20424)***.....1	

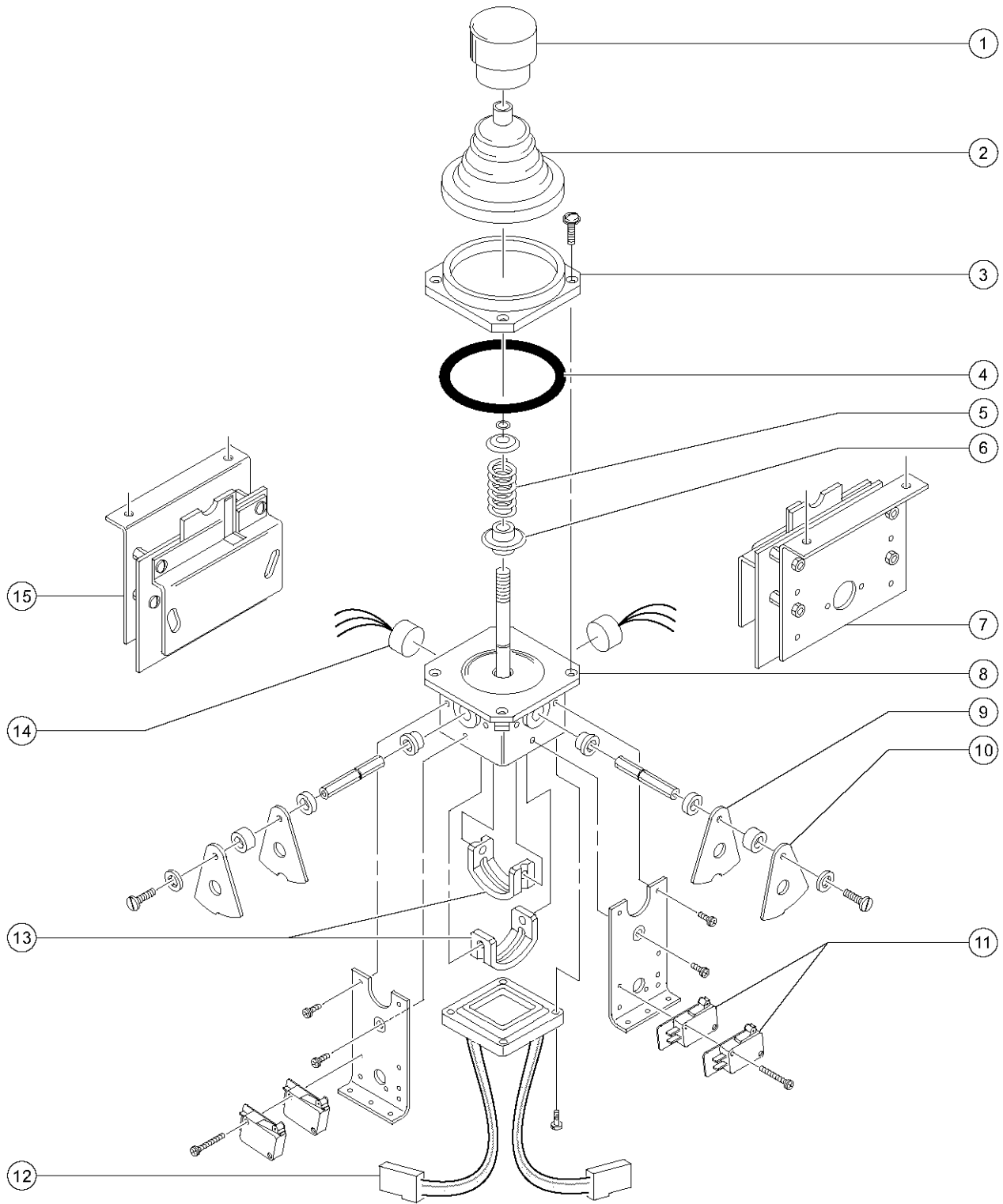
706.1 Joystick Controller - Secondary Boom Functions, Single Axis



706.1 Joystick Controller - Secondary Boom Functions, Single Axis

Item	Part No.	Description	Qty.
--	24495GT	JOYSTICK,SINGLE AXIS PROPORT <i>OEM joystick, contains index numbers 1 - 6 and 10 - 12</i>	
--	24495HGT	JOYSTICK,SINGLE AXIS PROPORT <i>aftermarket joystick replacement</i>	
1	27133GT	HANDLE,CAP,CONTROLLER.....	1
2	27134GT	BOOT,CONTROLLER.....	1
3	31526GT	O-RING,BOOT,CONTROLLER.....	1
4	19720GT	CASTING,45049, 40612.....	1
5	27135GT	SHAFT W/GEAR.....	1
6	27524GT	PCB,ASSY,24495.....	1
--	49870GT	POTENTIOMETER (24493).....	1
7	27116GT	RESISTOR,100 OHM,25 WATT.....	1
8	21121GT	CABLE TIE,4" BLK,HEAT RESISTNT....	5
9	27117GT	RESISTOR,250 OHM,5 WATT.....	1
10	21434GT	SPRING & BUSHING KIT,RETURN***....	1
11	19731GT	GEAR, SLAVE, MS4,45048.....	1
12	19712GT	MICROSWITCH,V3L-139-D8.....	2

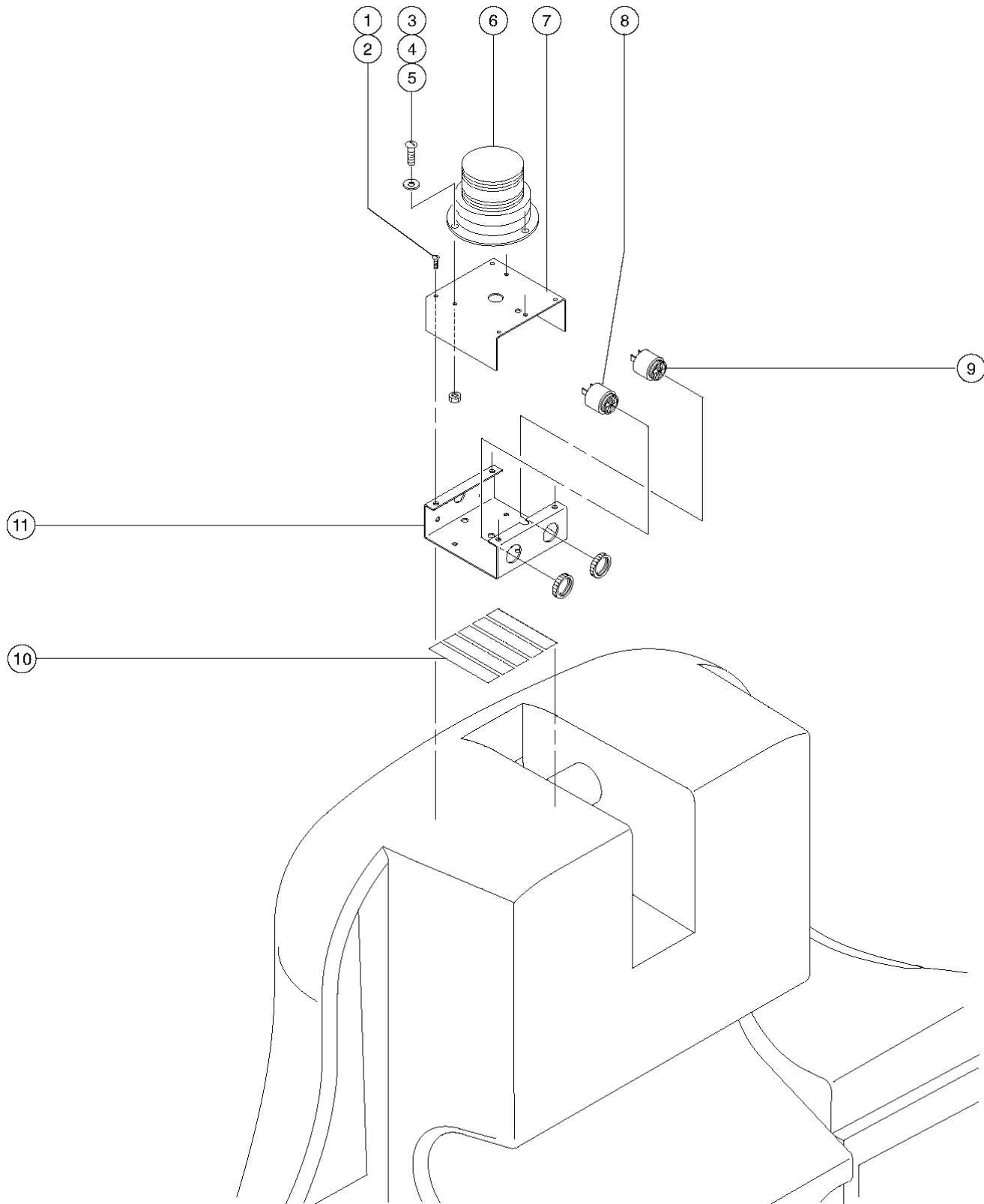
707.1 Joystick Controller - Primary Boom and Turntable Rotate Functions



707.1 Joystick Controller - Primary Boom and Turntable Rotate Functions

Item	Part No.	Description	Qty.
--	53073GT	JOYSTICK,MULT AXIS CONT,OEM*** <i>OEM joystick, contains all shown service parts</i>	
--	53073HGT	JOYSTICK,MULT AXIS CONT <i>aftermarket joystick replacement</i>	
1	27133GT	HANDLE,CAP,CONTROLLER.....	1
2	27134GT	BOOT,CONTROLLER..... <i>includes 46272 flange</i>	1
3	46272GT	FLANGE-JOYSTICK MOUNTING,44988.....	1
4	31526GT	O-RING,BOOT,CONTROLLER.....	1
5	27511GT	SPRING,24493 CONTROLLER.....	1
6	31283GT	BUSHING,SPRING SEAT.....	1
7	52585GT	PCB,11179CD,(LIFT)***.....	1
8	52587GT	SHAFT & HOUSING ASSY.....	1
9	52588GT	DRIVE GEAR - INSIDE #53073.....	2
9A	58477GT	SHAFT (53073)***.....	2
10	52589GT	DRIVE GEAR - OUTSIDE #53073.....	2
11	19712GT	MICROSWITCH,V3L-139-D8.....	4
12	58923GT	SADDLE BRCKT40613,34419,53073*.... <i>harness shown for illustration purpose only</i>	1
13	37948GT	SADDLES-SET(24493,40613,53073*.....	1
14	52591GT	POTENTIOMETER-JOYSTCK(53073)....	2
14	65827GT	ADAPTER (53073,52591) **.....	2
15	52586GT	PCB,11179AB, (SWING)***.....	1

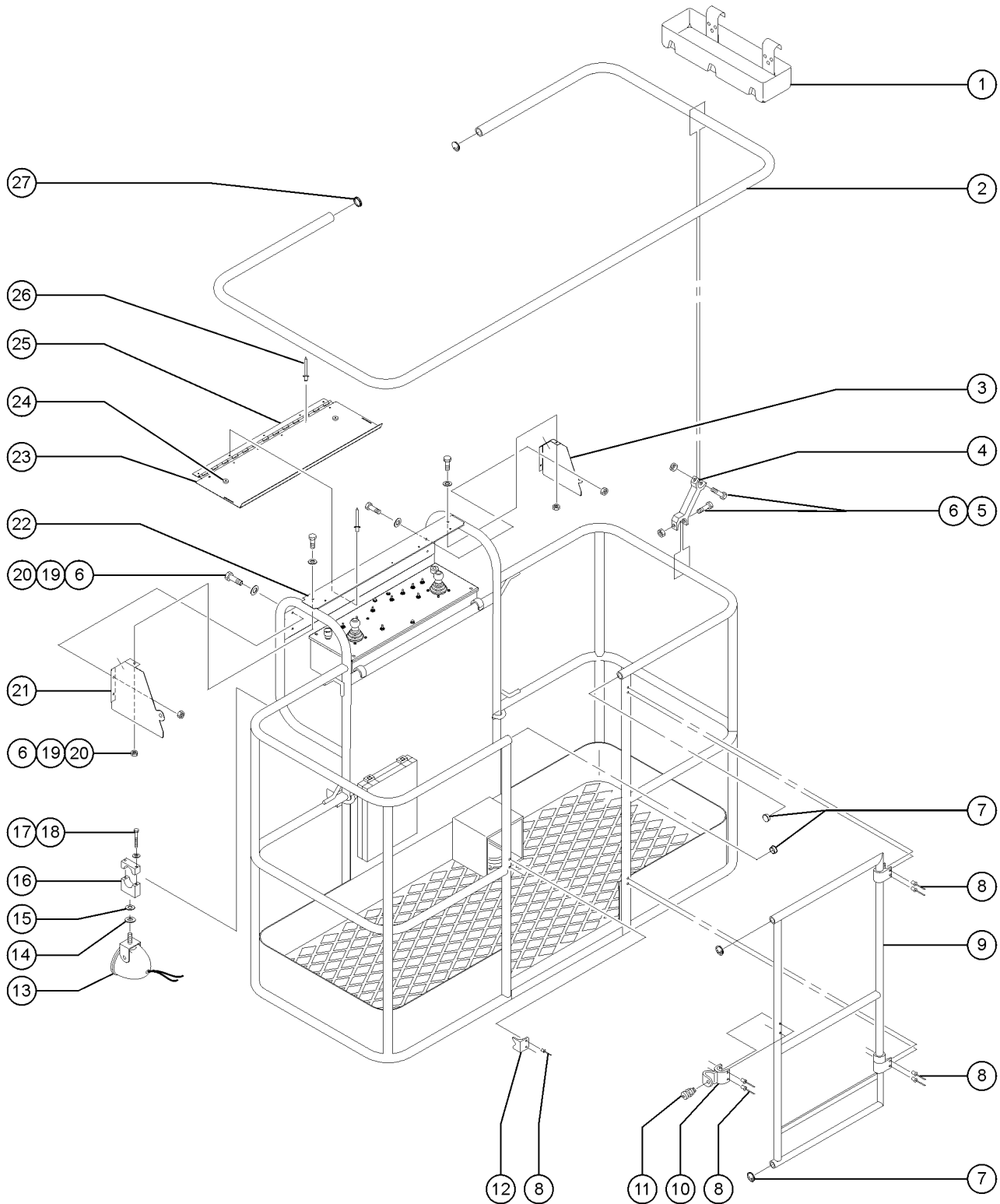
801.1 Alarm and Beacon Package



801.1 Alarm and Beacon Package

Item	Part No.	Description	Qty.
--	48462-SGT	Z60 ALARM PACKAGE	
1	49819GT	SCREW,PHILLIPS,PHM,10-32 X .5.....4	
2	23405GT	NUTSERT,10-32 STEEL CAD PLTD.....4	
3	49816GT	SCREW,PHILLIPS,PHM,10-32 X .75.....3	
4	6146GT	WASHER,FLAT,MS,#10,Y.....3	
5	6178GT	NUT,NYLOCK,10-32.....3	
6	56704GT	STROBE,FIREBOLT,12-80VDC,AMB**...1 <i>(replaced 20189)</i>	
--	122019GT	FLASHTUBE,U SHAPED,360DEG,BULB	
--	226393GT	FLASHTUBE,STRAIGHT,360DEG,BULB	
--	43960GT	WIRE CABLE,16/4 CON.TPE JKT.....150-inches	
--	45782GT	DIODE,6 AMP,200 PIV,BULK.....1	
--	72282GT	LENS,AMBER,STROBE,FIREBOLT.....1	
7	89448PGT	FORMING,ALARM/BEACON.....1	
8	45462GT	ALARM,CHIME TONE 5-25VDC***1 <i>Does not include 72326 nut</i>	
--	72326GT	NUT - PLASTIC,RING FOR ALARMS.....1	
9	18963GT	ALARM,INTERMITTENT TONE 6-30V*...1 <i>Does not include 72326 nut</i>	
--	72326GT	NUT - PLASTIC,RING FOR ALARMS.....1	
10	32347GT	TAPE,DOUBLE BACKED ADHESIVE.....25-inches	
11	27368P-SGT	BRACKET,ACCESSORY,PAINTED**.....1	

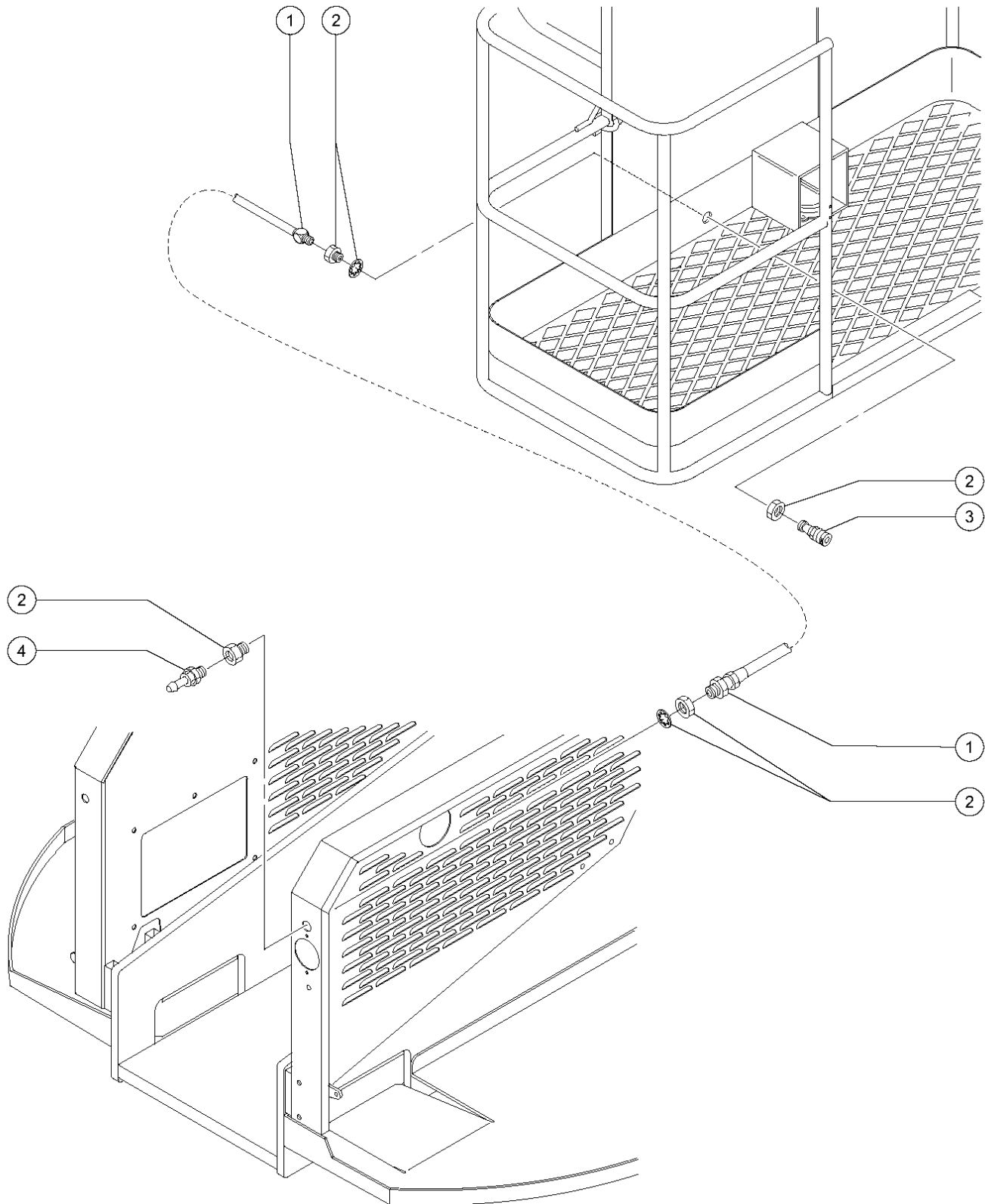
802.1 Platform Options



802.1 Platform Options

Item	Part No.	Description	Qty.	Item	Part No.	Description	Qty.
--	34321-SGT	OPTION,WORKLIGHT,12 VOLT		27	55753GT	BUMPER, PLASTIC, 1.25 O.D.....	2
1	9599-SGT	TOOL TRAY ACCESSORY***.....	1				
2	1259704GT	PINCH GUARD RAIL,6' PLATFORM..... <i>includes 55753 bumpers</i>	1				
--	28856-SGT	PLAT.PINCH GUARD,8',1.3					
--	52661GT	PINCH GUARD RAIL,8' PLATFORM**....	1				
3	119797GT	CONTROL BOX COVER, RIGHT SIDE*					
4	139958GT	KIT, AUX TOP RAIL SUPPORT.....	10				
5	4266GT	SCREW,HHC,1/4-20 X 2.....	20				
6	6889GT	NUT,LP NYLOCK,1/4-20.....	20				
7	31120GT	PLUG,NYLON 1.187 BLACK DOMED....	4				
8	7265GT	RIVET,STEEL,P .25 X .375.....	14				
9	128368GT	KIT,SWING GATE W/SPRING					
--	42104GT	SPRING,SHORT PLATFORM GATE					
--	9596GT	HINGE CASTING					
9A	119950GT	KIT,FIELD INSTALL,SWING GATE..... <i>includes 128368, 1487, 1488, and 33674</i>	1				
--	9596GT	HINGE CASTING <i>Special welding requirements for installation of this component. Strongly suggest ordering 128368 OR contact Genie Service for welding requirements.</i>					
10	1487GT	GATE LATCH CASTING--DRILLED.....	1				
11	63311GT	SNAP PIN.....	1				
12	1488GT	RAILING CATCH CASTING--DRILLED...1					
13	107858GT	WORKLIGHT,48 VOLT.....	2				
13A	35960GT	BULB,WORKLIGHT,12V 35W					
14	6036GT	WASHER,LOCK,.625 PLTD.....	1				
15	6035GT	WASHER,FLAT,USS,5/8",Y.....	1				
16	35956GT	BRACKET,WORK LIGHT MOUNT 5/16".....	2				
17	6145GT	SCREW,HHC,1/4-20 X 1.5.....	4				
18	6356GT	WASHER,LOCK,.25.....	4				
19	6638GT	WASHER,FLAT,USS,1/4"Y					
20	6090GT	SCREW,HHC,1/4-20 X .75					
21	119796GT	CONTROL BOX COVER,LEFT SIDE**					
22	119562PGT	GUARD,PLATFORM CNTRL PANEL PTD					
--	119642GT	KIT,PLAT CONTROL PANEL GUARD** <i>includes part 119562P, required for first time installation</i>					
23	89915PGT	COVER,CONTROL BOX LID					
--	119795GT	KIT,CONTROL BOX COVER <i>includes part 89915P, index number 22 is required for first time installation</i>					
24	43392GT	BUMPER,BATTERY BOX & RAILS					
25	111526GT	HINGE,PLAT CONTROL BOX COVER					
26	54486GT	RIVET,ALUM,ALUM,3/16BUTTONHEAD					

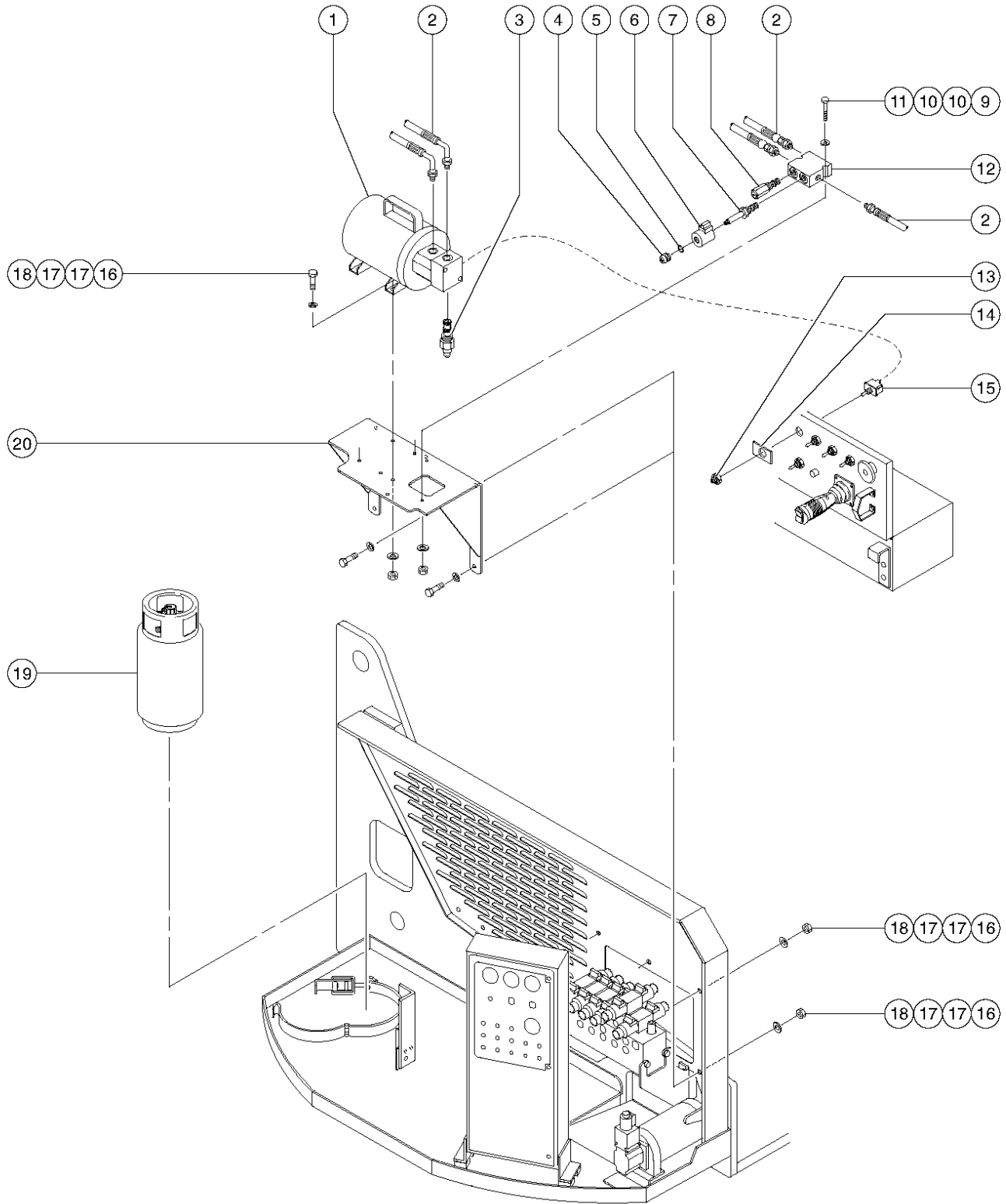
803.1 Airline to Platform



803.1 Airline to Platform

Item	Part No.	Description	Qty.
--	30505GT	Z60 AIRLINE TO PLATFORM	
--	44981GT	DECAL,LABEL, AIR LINE 110 PSI.....2	
1	49190-94800GT	HOSE ASSEMBLY,1/2".....1	
2	49212GT	FEMALE BULKHEAD CONNECTOR-8...2	
3	49215GT	MPT,CPLR,1/4"SER,3/8"X18.....1	
4	49214GT	MALE PIPE THD,1/4" SER,3/8"X18.....1	

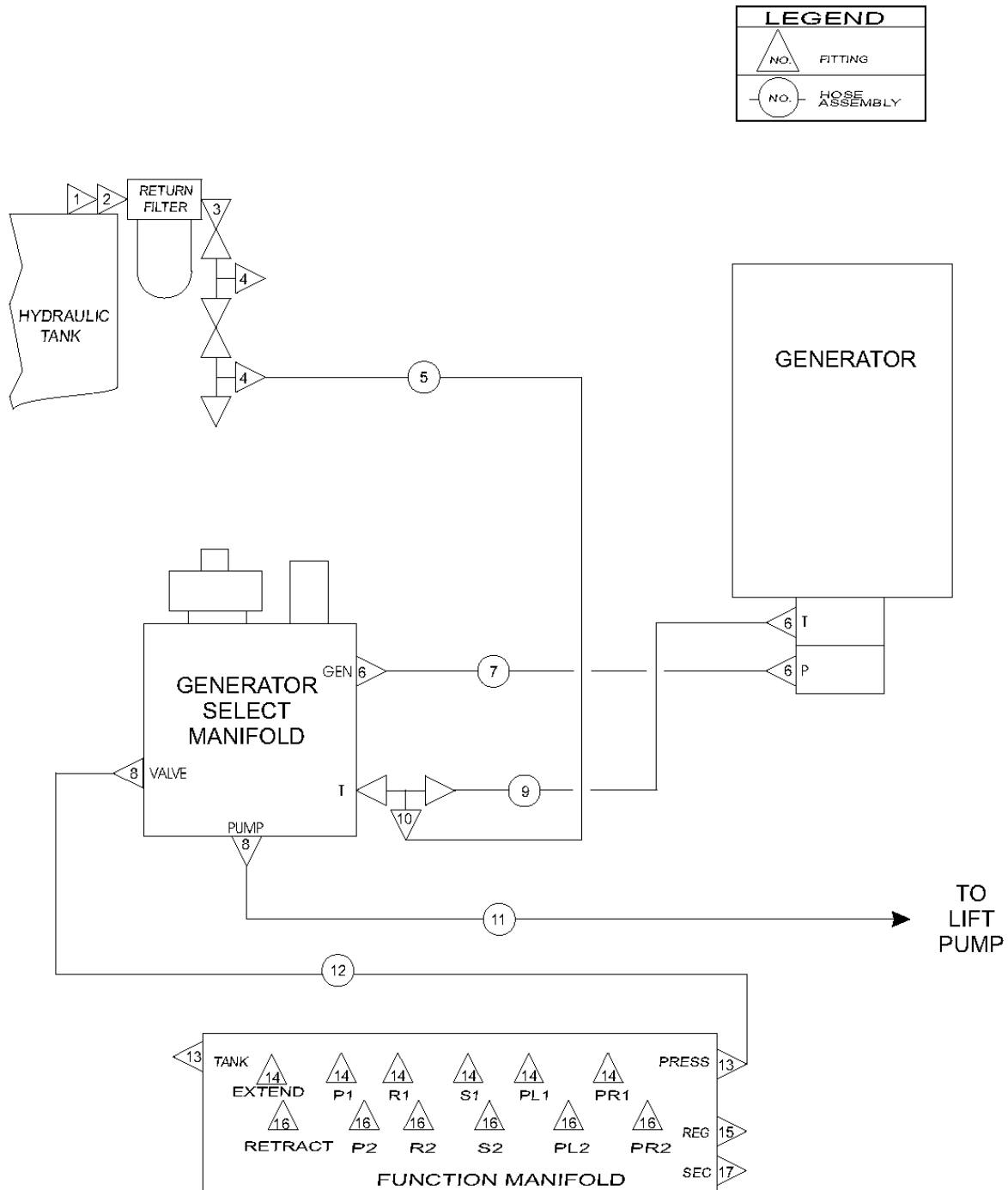
804.1 Generator and Spare LPG Tank



804.1 Generator and Spare LPG Tank

Item	Part No.	Description	Qty.	Item	Part No.	Description	Qty.
1A	30459-SGT	Z60 2000W HYD GENERATOR.....	1	4	33568GT	NUT, CP521-1 VALVE.....	1
--	32732GT	RECTIFIER ASSEMBLY		5	45914GT	O-RING, DO1 VALVE.....	1
--	32734GT	BRUSH ASSEMBLY		6	27535GT	COIL,12V,DO1 VALVE.....	1
--	32736GT	MOTOR,HYDRAULIC GENERATOR		7	19969GT	VALVE,SOLENOID (18660)***.....	1
--	53801GT	TERMINAL,FEM.DISCONNECT,16-14G <i>includes index number 3</i>				<i>includes index numbers 4 through 6</i>	
--	58402GT	BRIDGE,50A FULL WAVE**		8	44950GT	VALVE,RELIEF,1500 PSI***.....	1
1B	36927-SGT	Z60 2500W,220/50H GENERATOR.....	1	9	4266GT	SCREW,HHC,1/4-20 X 2.....	2
--	147836GT	SEAL, GASKET, .00075" *GOLD* <i>for pump</i>		10	6638GT	WASHER,FLAT,USS,1/4"Y.....	4
--	147837GT	SEAL, GASKET, .0005" *SILVER* <i>for pump</i>		11	6091GT	NUT,NYLOCK,1/4-20.....	2
--	147838GT	SEAL, GASKET, .0010" <i>for pump</i>		12	53976GT	MANIFOLD,GENERATOR.....	1
--	32732GT	RECTIFIER ASSEMBLY				<i>includes index numbers 4 through 8</i>	
--	32736GT	MOTOR,HYDRAULIC GENERATOR		13	27246GT	BOOT,TOGGLE SWITCH,SHORT*.....	1
--	36928GT	GENERATOR,2500W HYD.220/50HZ <i>includes index number 3</i>		14	133518GT	DECAL, PATCH, GEN,ALC-500.....	1
--	52085GT	BRUSH HOLDER ASSY, 2500W GENER		15	128205GT	SWITCH TOGGLE ASSY DPDT 2P MNT.....	1
--	58402GT	BRIDGE,50A FULL WAVE**				<i>includes mounting fasteners</i>	
--	58954GT	O-RING,SPACER #115*** <i>for pump</i>		16	7713GT	NUT, LP NYLOCK, 3/8-16.....	8
--	T111608GT	SEAL,RETAINING RING <i>for pump</i>		17	5397GT	WASHER,FLAT,USS,5/16",Y.....	16
--	T111609GT	SEAL,SHAFT <i>for pump</i>		18	6019GT	SCREW,HHC,3/8-16 X 1.25 GRD 5.....	8
--	T111610GT	SPACER <i>for pump</i>		19	73963GT	LPG TANK,OPTION.....	1
--	T111611GT	BEARING,MOTOR <i>for pump</i>		20	31548PGT	MOUNT BRACKET,GENERATOR PAINT.....	1
--	T111612GT	RETAINING RING <i>for pump</i>					
--	T111613GT	SHAFT,MOTOR <i>for pump</i>					
1C		Z60 3000W HYD GENERATOR.....	1				
--	110393-SGT	GEN.OPT.FORD,110V/3000W Z45*** <i>includes index number 3</i>					
--	32732GT	RECTIFIER ASSEMBLY					
--	52000GT	BRUSH ASSEMBLY					
--	52001GT	HYDRAULIC MOTOR 3000W GENER					
--	58402GT	BRIDGE,50A FULL WAVE**					
2		Ref. Hydraulic Hoses and Fittings - Generator Option <i>(refer to Figure 805.1)</i>					
3	32735GT	VALVE,PRI. FLOW REG 4.3.....	1				
--	65841GT	PRIORITY FLOW CONTROL VALVE***.....	1				
		<i>for 2000W & 2500W generators</i>					
		<i>for 3000W generators</i>					

805.1 Hoses and Fittings - Generator Option



805.1 Hoses and Fittings - Generator Option

Item	Part No.	Description	Qty.
--	49612GT	O-RING KIT (ORFS FITTINGS)	
--	49613GT	PLUG AND CAP KIT-SERVICE,ORFS*	
1	49512GT	ELBOW,90DEG,FEM,1"NPT.....	1
2	49513GT	ADAPTER,PIPE NIPPLE.....	1
3	48915GT	ELBOW,90D,520220-6.....	1
4	48964GT	FITTING,TEE,RUN,SWIVEL52043212....	2
5	58112GT	HOSE GEN.MAN TO FILTER (PAR).....	1
		1	
6	48933GT	CONN,520120-8***.....	3
--	48946GT	CONN,520120-8-10..... <i>3000 Watt Models only</i>	1
7	58113GT	HOSE,GEN.MOTOR TO MAN(PAR).....	1
		2	
8	48948GT	CONN,520120-8-12.....	2
9	58115GT	HOSE GEN.MTR TO GEN.MAN.(PAR)...	1
		3	
10	48935GT	TEE,RUN,520428-8.....	1
11	49162-7303 SGT	HOSE ASSEMBLY,1/2.....	1
		4	
12	58114GT	HOSE,GEN. MAN.TO FUNC.MAN(PAR).....	1
		4	
13	48932GT	FITTING,ELBOW,90D,520220-8***.....	2
14	48917GT	CONN,LONG,520122-6.....	6
15	49511GT	VALVE,CHECK.....	1
16	48916GT	CONN, 520120-6.....	6
17	48930GT	CONN,520120-6-8.....	1

Item	Part No.	Description	Qty.
------	----------	-------------	------

Footnotes

1: Hose End - Female, Swivel, 90°, ORFS (Parker No. 1J943-8), Hose End - Female, Swivel, ORFS (Parker No. 1JC43-8) and Hose, 1/2 inch (Parker No. 451TC-8)

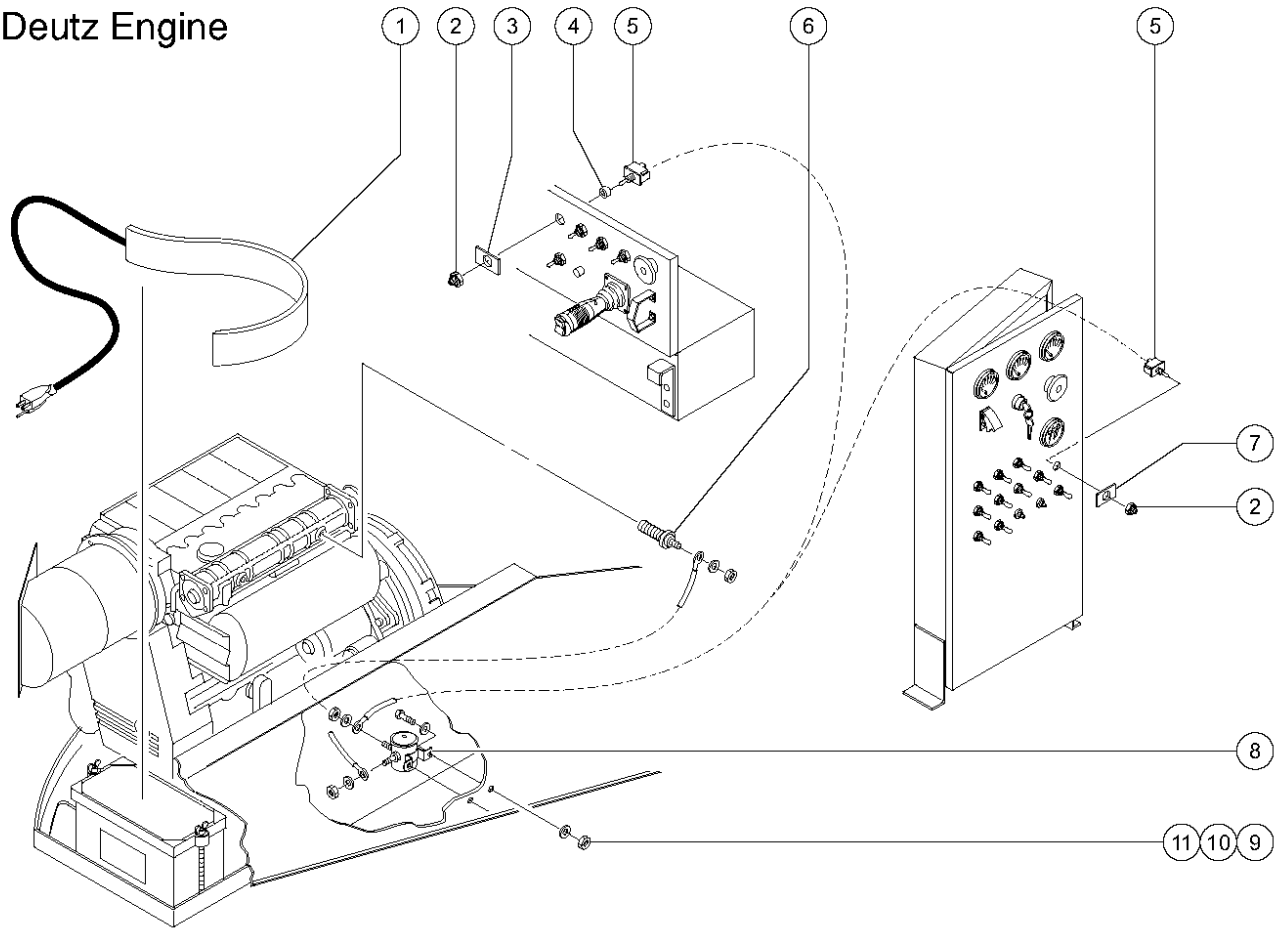
2: Hose End - Female, Swivel, ORFS (Parker No. 1JC43-12-8), Hose End - Female, Swivel, 90°, ORFS (Parker No. 1J943-8) and Hose, 1/2 inch (Parker No. 451TC-8)

3: Hose End - Female, Swivel, 90°, ORFS (Parker No. 1J943-8), Hose End - Female, Swivel, ORFS (Parker No. 1JC43-8) and Hose, 1/2 inch (Parker No. 381-8)

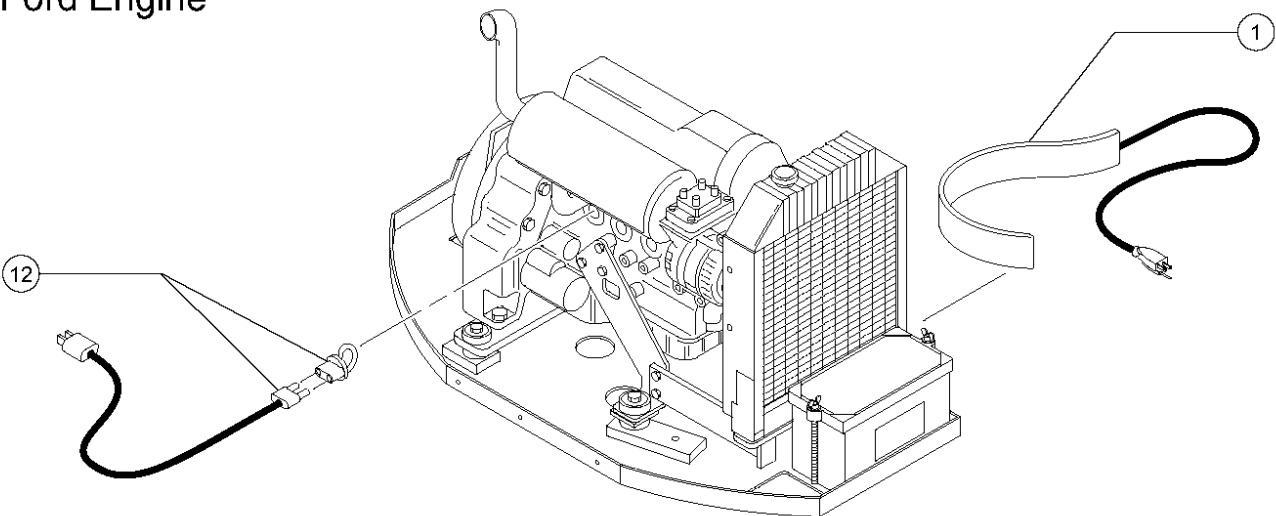
4: Hose End - Female, Swivel, 90°, ORFS (Parker No. 1J943-8), Hose End - Female, Swivel, 90°, Medium, ORFS (Parker No. 1J543-8) and Hose, 1/2 inch (Parker No. 381-8)

806.1 Cold Start Package - Ford and Deutz Engines

Deutz Engine



Ford Engine

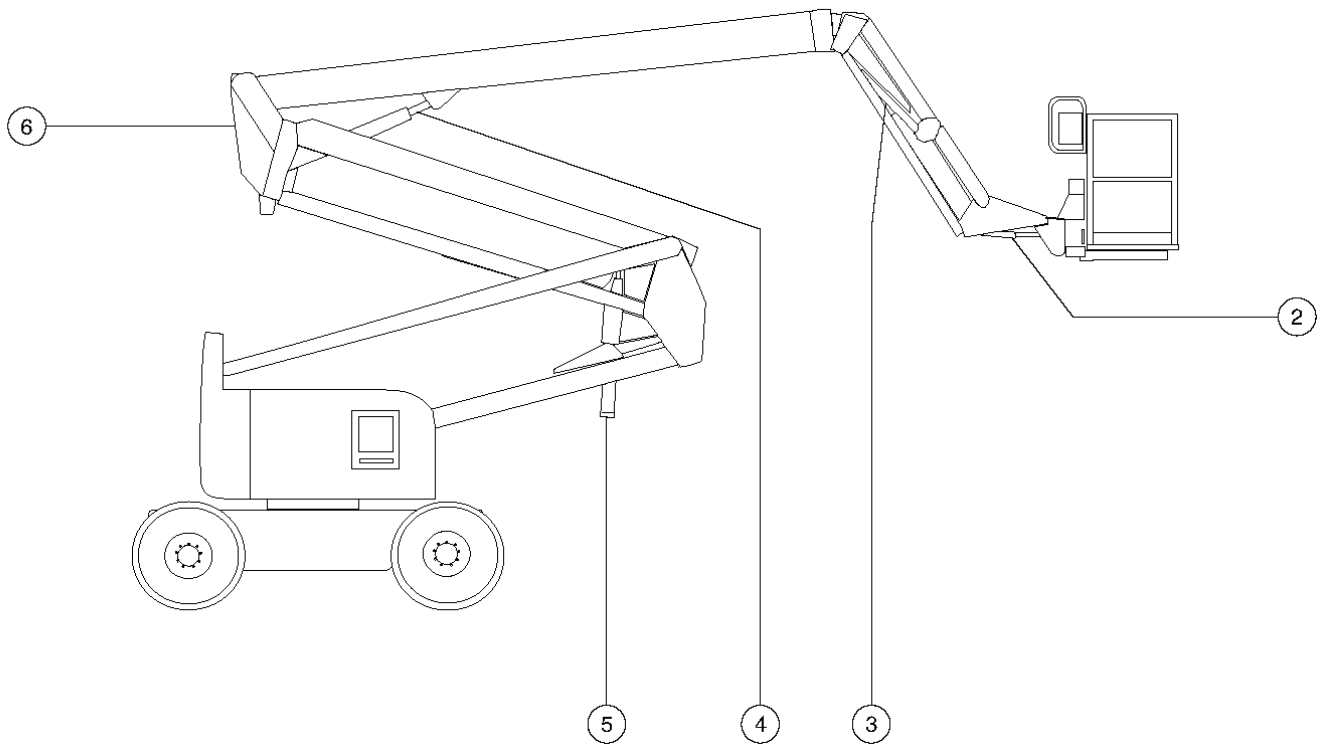
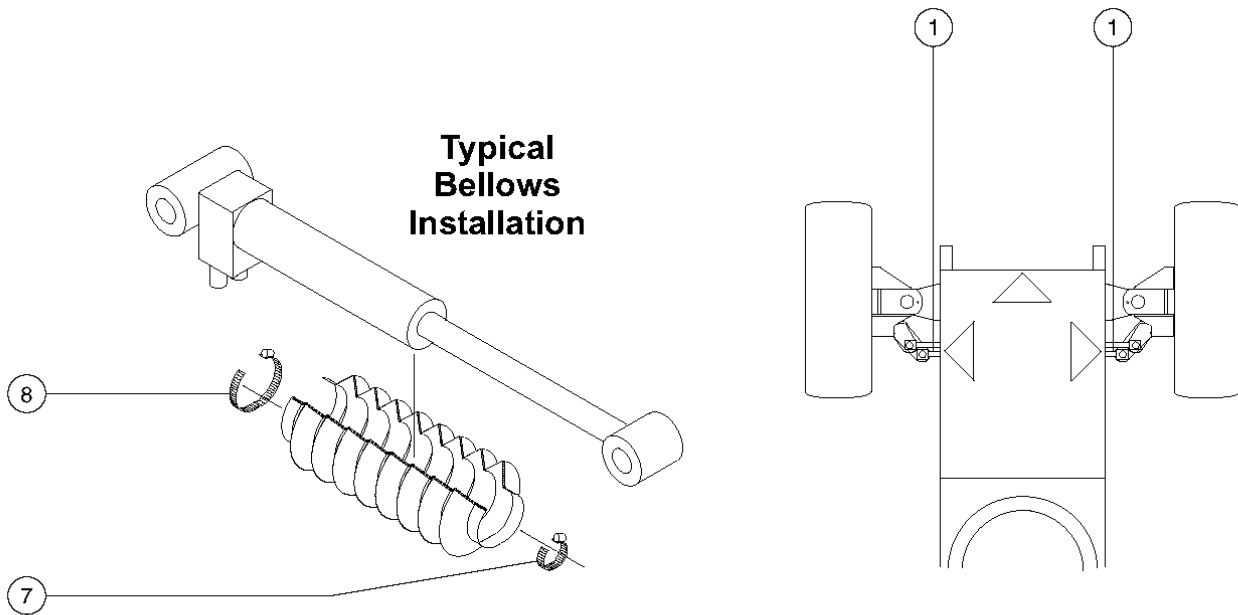


806.1 Cold Start Package - Ford and Deutz Engines

Item	Part No.	Description	Qty.
--	53156GT	COLD START,FORD, BIG BOOM <i>Ford Models</i>	
--	53159GT	COLD START,DEUTZ,BIG BOOM <i>Deutz Models</i>	
1	28853GT	BLANKET,BATTERY.....	2
2	27246GT	BOOT,TOGGLE SWITCH,SHORT*..... <i>Deutz Models</i>	2
3	32726GT	DECAL,OPTION GLOW PLUGS***..... <i>Deutz Models</i>	1
4	54692GT	SPACER,NYLON,.718 X .526 X.219.....	1
5	128200GT	SWITCH TOGGLE ASSY SPDT 3P MOM..... <i>includes mounting fasteners; Deutz Models</i>	2
6	31408GT	GLOW PLUG,L1011..... <i>Deutz Models</i>	1
7	49927GT	DECAL,OPTION GLOW PLUGS***..... <i>Deutz Models</i>	1
8	27155GT	SOLENOID,12V CONTINUOUS***..... <i>Deutz Models</i>	1
9	6091GT	NUT,NYLOCK,1/4-20..... <i>Deutz Models</i>	2
10	6638GT	WASHER,FLAT,USS,1/4"Y..... <i>Deutz Models</i>	4
11	6090GT	SCREW,HHC,1/4-20 X .75..... <i>Deutz Models</i>	2
12	35610GT	HEATER,FREEZE PLUG,FORD LRG423..... <i>Ford Models</i>	1

807.1 Hostile Environment Package, Bellows and Cylinders

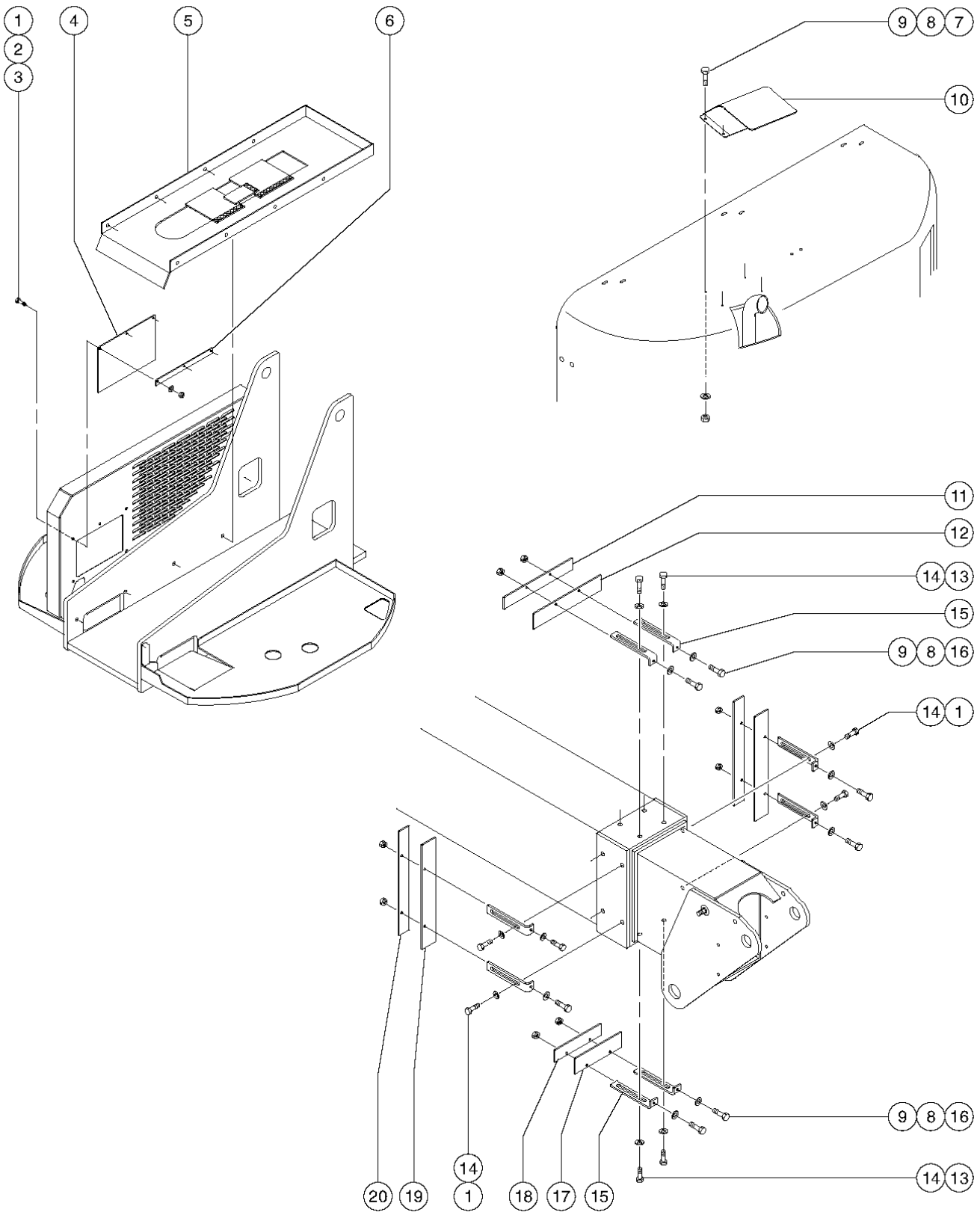
**Typical
Bellows
Installation**



807.1 Hostile Environment Package, Bellows and Cylinders

Item	Part No.	Description	Qty.
--	34962GT	Z60 HOSTILE ENVIRONMENT DEUTZ	
--	34963GT	Z60 HOSTILE ENVIRONMENT FORD	
--	34964-SGT	Z60 DLX, HOSTILE ENVIRONMENT <i>includes 34962</i>	
--	34965GT	Z60 STD.HOSTILE ENVIRONMNT PKG	
1	34922GT	COVER,PROTECTIVE,STEERING.....2 <i>include 1 each of index numbers 7 and 8</i>	
2	34923GT	COVER,PROTECTIVE,Z60 SLAVE.....1 <i>include 1 each of index numbers 7 and 8</i>	
3	34925GT	COVER,PROTECTIVE,Z60 JIB.....1 <i>include 1 each of index numbers 7 and 8</i>	
4	34924GT	COVER,PROTECTIVE,Z60 PRIMARY....1 <i>include 1 each of index numbers 7 and 8</i>	
5	34904GT	COVER,PROTECTIVE,Z60 ELEVATE.....1 <i>include 1 each of index numbers 7 and 8</i>	
6	34926GT	COVER,PROTECTIVE,Z60 MASTER.....1 <i>include 1 each of index numbers 7 and 8</i>	
7	45171GT	CLAMP,HOSE,1.75,LINED.....5	
8	30971GT	CLAMP,HOSE,3.00".....5	

808.1 Hostile Environment Package - View 2



808.1 Hostile Environment Package - View 2

Item	Part No.	Description	Qty.
1	6019GT	SCREW,HHC,3/8-16 X 1.25 GRD 5.....	8
2	5397GT	WASHER,FLAT,USS,5/16",Y.....	3
3	4828GT	NUT,NYLOCK,3/8-16.....	3
4	34901PGT	PLATE,BLUE.....	1
5	34850GT	COVER,PROTECTIVE,SWING CHASSIS.....	1
6	34902GT	RUBBER FLAP.....	1
7	6145GT	SCREW,HHC,1/4-20 X 1.5.....	2
8	6638GT	WASHER,FLAT,USS,1/4"Y.....	10
9	6091GT	NUT,NYLOCK,1/4-20.....	10
10	34359-SGT	EXHAUST HOOD WELDMENT.....	1
11	34895GT	RUBBER WIPER, TOP.....	1
12	34898PGT	BRACKET,WIPER ATTACHMENT,BLUE.....	1
13	6175GT	SCREW,HHC,3/8-16 X 1.....	8
14	6021GT	WASHER,LOCK,.375.....	16
15	34509PGT	BRACKET,ADJ.WIPER MOUNT PAINT.....	8
16	8915GT	SCREW,HHC,1/4-20 X 1.25.....	8
17	34900PGT	BRACKET,WIPER ATTACHMENT,BLUE.....	1
18	34897GT	RUBBER WIPER,BOTTOM.....	1
19	34899PGT	BRACKET,WIPER ATTACHMENT,BLUE.....	2
20	34896GT	RUBBER WIPER,SIDE.....	2

Part Number Index

The Part Number Index is a numeric index of all part numbers included in this manual. The index shows what page(s) the part is used on.

Part Number	Page	Part Number	Page	Part Number	Page	Part Number	Page
101726GT	63	133518GT	11, 125	226099GT	23, 41	27497GT	99-100
101727GT	59	13482GT	107	226100GT	23, 41	27507GT	47
102119GT	49	13585GT	109	226101GT	35	27511GT	117
102529GT	97	13852GT	99-100	226393GT	119	27524GT	115
102986GT	95	13918GT	73-74, 89, 97,	226419GT	87	27528GT	107
102987GT	95		99-100	226537GT	99-100	27535GT	125
102992GT	107	139451GT	107	22672GT	47, 51	27564GT	11
10587GT	73-74	139709GT	53	22700GT	55, 57	27654PGT	73-74
10597GT	13, 15, 23, 33,	139958GT	121	22786GT	23, 41	27656P-SGT	15, 33
	41, 87, 89, 91	14041GT	79, 109	22811GT	23, 41	27694GT	15, 33
10775GT	109	144161GT	67	229567GT	77, 111	27695GT	15, 33, 87
107858GT	121	146160GT	19	22965GT	49, 55	27698GT	13, 15, 33
110194GT	21	146165GT	69-70	22973GT	73-74	27728GT	73-74
110200GT	23, 41, 69-70	146169GT	69-70	229768GT	107	27761GT	21, 39
110393-SGT	125	146478GT	77, 111	23057GT	47, 53, 57	27801GT	69-70
111177GT	95	147094GT	77	23083-SGT	67	27802GT	69-70
111373GT	89	147836GT	125	23404GT	79	27804GT	70
111526GT	121	147837GT	125	23405GT	119	27805GT	69-70
111648GT	73-74	147838GT	125	23680GT	113	27807GT	69-70
119562PGT	121	1487GT	121	23688GT	113	27814GT	67, 99-100
119620GT	89, 91	1488GT	121	23938GT	39	27903GT	49
119642GT	121	1505GT	79	24038GT	51	27915GT	57
119795GT	121	160550GT	53	24470GT	49	27916GT	49, 57
119796GT	121	16439GT	15, 33	24495GT	115	27943GT	51
119797GT	121	16584GT	55	24495HGT	115	28076GT	51, 53
119950GT	121	17712GT	93	24552GT	47	28157GT	11
121599GT	79	18189GT	51	24667GT	41	28158GT	11
122019GT	119	18503GT	49, 51	24675GT	19	28159GT	11
122058GT	57	18665GT	79	25225GT	73-74	28160GT	11
122079GT	105	18666GT	100	25388GT	67	28161GT	11
122286GT	95	18722GT	87, 89	25404P-SGT	15, 33	28164GT	11
122287GT	95	18963GT	119	25416GT	15, 33	28165GT	11
122366GT	77	19274GT	77, 109, 111	25419GT	13, 15, 33	28171GT	11
122512GT	77	19418GT	35	25436GT	13, 15, 33	28174GT	11
122513GT	111	19440GT	95	25567GT	65	28175GT	11
122514GT	77, 111	19470GT	70	25571P-SGT	49	28176GT	11
122606GT	77	19487GT	59, 61, 63, 65	25769GT	15, 33	28177GT	11
122944GT	99-100	19491GT	87, 97	25807GT	79	28178GT	11
12344GT	109	19506GT	77	25808GT	79	28181GT	11
12348GT	109	19712GT	115, 117	25837GT	79	28234P-SGT	51
12443GT	107	19720GT	115	25855P-SGT	67	28235GT	11
1254826GT	57	19731GT	115	25881GT	113	28236GT	11
1255452GT	13, 15, 33	19969GT	125	25882GT	113	28298GT	79
1255653GT	57	19995GT	69-70	25883GT	113	28310GT	79
1256267GT	13, 15, 33, 87,	20224GT	21, 39, 70, 103	25884GT	113	28443GT	107
	89, 91	20424GT	113	25929GT	47	28646GT	81
1259054GT	47	20424HGT	113	25974GT	79	28647GT	47
1259704GT	121	20776GT	79	25994GT	11	28656GT	47
1260218GT	67	20880GT	49, 57	27010GT	47, 49	28717GT	49, 51
1261449GT	67	20973GT	107	27033P-SGT	111	28750GT	19, 21, 37, 39,
1262218GT	79	21121GT	47, 77, 107, 115	27034GT	51		69-70, 83, 103
1262633GT	87, 91	21130GT	57	27067GT	49, 55	28829GT	61
1264387GT	87	21141GT	59, 61, 63, 65	27089GT	59, 61, 63, 65	28833GT	35
1264388GT	91	21144GT	23, 41	27114GT	81	28853GT	129
1267807GT	49, 57	21145GT	23, 41	27115GT	109	28856-SGT	121
1268229GT	49, 57	21146GT	23, 41	27116GT	115	29066GT	67, 99-100
1279268GT	51	21149GT	23, 35, 41	27117GT	115	29073GT	57
1280665GT	67	21175GT	51, 53, 73-74	27133GT	115, 117	29080GT	95
128200GT	77, 111, 129	21434GT	115	27134GT	115, 117	29083GT	99-100
128201GT	77, 79, 111	21444GT	69-70	27135GT	115	29137GT	63, 65
128202GT	77, 111	21465GT	59, 61, 63, 65	27142GT	49	29183GT	95
128205GT	77, 111, 125	21496GT	57	27155GT	79, 129	29210GT	15
128206GT	111	21604GT	99-100	27204GT	11	29212GT	15, 33
128368GT	121	21935GT	69-70	27205GT	11	29231GT	23, 41
128578GT	111	219437GT	49, 51	27206GT	11	29261GT	15, 33
12906GT	81, 91	22052GT	109	27207GT	11	29280GT	23
12960GT	79, 109	22279GT	49	27246GT	77, 79, 111, 125,	29288GT	23, 41
12981GT	87	22364GT	113		129	29291GT	73-74
13002GT	17, 67, 81	22365GT	113	27258GT	97	29314GT	81
13003GT	89, 93	22366GT	113	27287GT	77	29417GT	67
13064GT	17, 35, 51, 55,	22367GT	113	27326GT	99-100	29418GT	67
	67, 73-74, 89, 93	22368GT	113	27329P-SGT	55	29419GT	73-74
13066GT	23, 41, 73-74, 93	223763GT	19, 69-70	27368P-SGT	119	29428GT	67
13082GT	67	22541GT	87, 89, 95, 97	27377GT	81	29429GT	67
13268GT	79, 109	22578GT	57	27488GT	67	29436GT	49, 55

Part Number	Page	Part Number	Page	Part Number	Page	Part Number	Page
29550GT	53	30438GT	55	32735GT	125	35610GT	129
29555GT	53	30444GT	19	32736GT	125	35611GT	99-100
29557GT	57	30459-SGT	125	32748GT	53	35811GT	79
29558GT	55	30468GT	81	32749GT	53	35934GT	79, 109
29559GT	55	30469GT	47	32975GT	70	35956GT	121
29560GT	57	30472GT	95	33024GT	49, 55	35960GT	121
29565GT	57	30483PGT	53	33060PGT	53	36203GT	49
29616GT	49	30493GT	55	33240P-SGT	57	36208GT	47
29733GT	73-74	30505GT	123	33241P-SGT	57	36370GT	13, 15, 33
29734GT	73-74	30546P-SGT	61, 65	33277GT	53	36648GT	95
29735GT	73-74	30584GT	61, 65	33418GT	51, 53	36927-SGT	125
29739GT	23, 49, 55	30734GT	13, 15, 33	33520GT	21, 39	36928GT	125
29744GT	19, 37	30769P-SGT	57	33521GT	39	36985GT	49
29746GT	13, 15, 33	30784-975GT	51, 53	33562GT	39	37002GT	49
29764GT	105	30785-1500GT	57	33568GT	125	37003GT	55
29855P-SGT	33	30806GT	55	33629GT	109	37017GT	49
29855PGT	15	30810GT	47	33724GT	109	37090GT	99-100
29868GT	67, 81	30966GT	57	33729GT	55	37192GT	67
29883GT	35, 51, 55, 67, 89	30967GT	57	33952GT	11	37406GT	73-74
29891-SGT	17	30971GT	47, 49, 131	33957GT	47	37505GT	53
30021PGT	95	30997GT	109	33960GT	47	37948GT	117
30050-SGT	87, 89	31059GT	11	33963GT	47	37950GT	53
30052P-SGT	89, 91	31060GT	11	33964GT	47	38620GT	95
30080GT	11	31079GT	87	33966GT	47	39552GT	107
30082GT	11	31080GT	87	33968GT	47	39591GT	109
30116GT	95	31082GT	95	33969GT	51	40033GT	39
30137GT	95	31086GT	95, 99-100	33970GT	47	40405GT	87, 91
30138GT	95	31088GT	17, 35	33972GT	47	40434GT	11
30139GT	95	31089GT	23, 41	33986GT	11	40617GT	69-70
30143GT	51, 53	31094GT	99-100	33994GT	69-70, 83, 103	41914GT	23, 41
30144GT	51, 53	31095GT	99-100	33996GT	79, 109	41918GT	23, 41
30179GT	61, 65	31100GT	69-70	34052GT	79	41921GT	23, 41
30180-SGT	89	31102GT	70	34053GT	79	41922GT	23, 41
30184PGT	67	31106GT	87, 91, 99-100	34054GT	79	42104GT	121
30186GT	95	31120GT	121	34055GT	79	42157GT	23, 41
30188GT	99-100	31249GT	49, 55	34056GT	79	42191GT	23, 41
30189GT	99-100	31266GT	15, 33	34057GT	79	42571GT	23
30191GT	91	31281GT	73-74	34058GT	47	4266GT	121, 125
30192GT	91	31283GT	117	34059GT	57	43181GT	109
30193GT	89	31305GT	87	34162-1900GT	57	43255GT	19, 69-70
30194GT	91	31306GT	87, 89	34164GT	57	43392GT	121
30195GT	91	31307GT	89	34265GT	53	43597GT	21, 39
30196GT	91	31308GT	89	34321-SGT	121	43599GT	23, 41
30198GT	87, 89	31309GT	89	34359-SGT	133	43601GT	23, 41
30199GT	87	31310GT	87, 91	34448GT	21, 23	43647GT	11
30201GT	87	31408GT	129	34509PGT	133	43663GT	11
30202GT	87	31478GT	81	34619GT	49, 81	43956GT	79, 109
30219GT	99-100	31492GT	97	34769GT	109	43956GT	67, 79, 109
30220GT	99-100	31493GT	73-74	34850GT	133	43960GT	79, 109, 119
30222GT	87, 89	31498GT	99-100	34895GT	133	44064GT	55, 57
30229P-SGT	67	31500GT	73-74	34896GT	133	44086GT	13, 15, 33
30230P-SGT	49, 57	31502GT	73-74	34897GT	133	44211GT	113
30255GT	95, 99-100	31506GT	59, 61, 63, 65	34898PGT	133	44212GT	113
30262-SGT	73-74	31507GT	59, 61, 63, 65	34899PGT	133	44221GT	113
30271GT	55	31524GT	59, 61, 63, 65	34900PGT	133	44369GT	73-74
30272GT	95	31526GT	115, 117	34901PGT	133	44586GT	67
30275GT	49, 59, 61	31527GT	69-70	34902GT	133	44613GT	73-74
30302P-SGT	23, 41	31528GT	69-70	34904GT	131	44743GT	107
30315GT	97	31529GT	70	34922GT	131	44769GT	11
30327PGT	73-74	31547GT	15, 33	34923GT	131	44950GT	125
30328GT	89	31548PGT	125	34924GT	131	44981GT	11, 123
30333PGT	93	31658-SGT	59, 61, 63, 65	34925GT	131	44986GT	11
30339P-SGT	89	32309GT	47, 53	34926GT	131	45066GT	17, 73-74
30340P-SGT	87	32339GT	51	34927P-SGT	51	45161GT	59, 61, 63, 65, 83
30341P-SGT	87	32347GT	119	34929-SGT	51	45171GT	131
30369GT	67	32611GT	49, 55	34942P-SGT	51	45209GT	93
30370GT	99-100	32636GT	19, 33, 37	34943P-SGT	51	45303GT	95
30377GT	97	32637GT	79, 109	34962GT	131	45383GT	109
30387GT	97	32638GT	79, 109	34963GT	131	45435GT	57
30388GT	97	32639GT	109	34964-SGT	131	45437GT	109
30389GT	97	32669GT	23, 41	34965GT	131	45455GT	59, 61
30390-SGT	97	32698GT	53	35067-200GT	57	45462GT	119
30391GT	81	32722GT	87, 91	35460GT	51	45495GT	23, 41
30411-SGT	100	32726GT	11, 129	35461GT	51	45645GT	15, 33
30424GT	93	32732GT	125	35586GT	53	45782GT	57, 119
30430GT	81	32734GT	125	35599GT	11	45912GT	67, 99-100

Part Number Index (continued)

Part Number	Page	Part Number	Page	Part Number	Page	Part Number	Page
45914GT	69-70, 125	49118-2358-SGT	25, 29, 43	49612GT	19, 21, 25, 29,	52969GT	11
45921GT	69-70	49118-2858-SGT	25, 43		37, 39, 43, 69-	53023GT	59, 61, 63, 65
46002PGT	97	49118-41008GT	103		70, 83, 103, 127	53024GT	49
46004GT	89	49118-4758-SGT	83	49613GT	19, 21, 25, 29,	53073GT	117
46005GT	87	49119-1478-SGT	103		37, 39, 43, 69-	53073HGT	117
46014GT	59, 61, 63, 65	49119-2978-SGT	25, 29, 43		70, 83, 103, 127	53120-SGT	59, 61
46131GT	47, 49	49119-3028-SGT	25, 29, 43	49618-SGT	81	53124GT	49
46229GT	11	49119-44800-SGT	103	49735GT	47	53125GT	47
46272GT	117	49119-53800-SGT	103	49740GT	49	53147GT	73-74
46612GT	81	49120-3581-SGT	25, 29, 43	49741GT	11	53156GT	129
46674GT	49, 55	49122-3786-SGT	43	49743GT	79	53159GT	129
46965GT	13	49123-42368-SGT	103	49816GT	119	53189GT	81
46966GT	13, 15, 33	49126-2158-SGT	29, 43	49819GT	119	53258GT	99-100
46967GT	13, 15, 33	49126-2233-SGT	83	49820GT	109	53290-SGT	51
47377GT	99-100	49126-2383-SGT	29, 43	49857GT	13, 15, 33	53353GT	59, 61, 63, 65
4828GT	51, 59, 61, 63,	49128-1159-SGT	83	49870GT	115	53387GT	33
	65, 73-74, 81,	49128-1559-SGT	83	49881GT	47	53425-SGT	51
	87, 89, 91, 99-	49128-22059-SGT	103	49887GT	113	53451GT	13, 15, 33
	100, 105, 133	49128-23759-SGT	103	49897GT	41	53523-SGT	81
48425GT	51	49128-2709GT	25	49898GT	47	53524-SGT	81
48462-SGT	119	49128-2934-SGT	29, 43	49915GT	53	53527GT	59, 61, 63, 65
48470GT	59, 61, 63, 65	49128-3109-SGT	29, 43	49916GT	55	53528-SGT	51
48471GT	47	49128-40959-SGT	103	49917GT	55	53564-SGT	81
48473P-SGT	49	49128-43659-SGT	103	49919GT	55	53605GT	59
48475P-SGT	47	49130-2957GT	25	49921GT	55	5361GT	95
48477GT	47	49135-3389-SGT	55	49922GT	57	5365GT	47
48648GT	69-70	49135-4664GT	25, 29	49923GT	57	53707GT	81
48649GT	19, 69-70	49141-2088-SGT	43	49924GT	57	53713-5402-SGT	83
48658GT	39	49142-1962-SGT	83	49927GT	129	53714-5541-SGT	83
48684GT	19, 37	49142-4087-SGT	25, 29, 43	49928GT	11	53715GT	53
48880GT	21, 39, 70, 103	49143-2954-SGT	83	49929GT	55	53758-SGT	77
48904GT	25, 29, 43	49143-3229-SGT	83	50144-SGT	105	53759-SGT	77
48905GT	25, 29, 43, 83,	49143-4029-SGT	25, 29, 43	51580GT	43	53760-SGT	77
	99-100, 103	49146-6558-SGT	83	52000GT	125	53761-SGT	77
48908GT	25, 29, 43	49150-7005-SGT	83	52001GT	125	53801GT	125
48911GT	25, 29, 43, 83	49150-9205-SGT	83	52034GT	19, 37	53811GT	93
48912GT	103	49151-2323-SGT	25, 29, 43	52076GT	47	53820GT	77
48913GT	103	49156-10356-SGT	43	52077GT	47	53832GT	47
48915GT	25, 29, 43, 83,	49156-2656-SGT	25, 29	52078GT	47	53867GT	55
	127	49156-2975-SGT	25, 29, 43	52085GT	125	5387GT	87, 89
48916GT	25, 29, 43, 55,	49156-3056-SGT	25, 29, 43	52087GT	23, 41	53882GT	49
	83, 103, 127	49156-3331-SGT	25, 43	52179GT	59, 61	53887GT	23
48917GT	83, 103, 127	49156-4006-SGT	25, 29, 43	52230GT	11	53903GT	81
48918GT	25, 29, 43	49156-4006GT	43	52251GT	11	53952GT	49, 57
48919GT	25, 29, 43, 83	49156-4506-SGT	25, 29, 43	52537GT	57	53961GT	49, 55
48922GT	59, 61, 63, 65, 83	49157-2410-SGT	25, 29	52564GT	49	53962GT	49
48929GT	25, 29, 43, 83	49157-2885-SGT	29	52566GT	47	53964GT	49, 55
48930GT	29, 83, 127	49162-7303-SGT	83, 127	52570GT	47	53967GT	79
48932GT	83, 127	49164-1943-SGT	25, 29	52573GT	47	53976GT	125
48933GT	83, 127	49165-2684-SGT	29, 43	52575GT	47	5397GT	13, 15, 19, 33,
48935GT	127	49166-2741-SGT	43	52577GT	47		37, 49, 59, 61,
48938GT	25, 29	49167-3029-SGT	43	52579GT	47		63, 65, 67, 73-
48939GT	29, 43	49167-3029GT	25	52580GT	47		74, 81, 87, 97,
48940GT	43	49167-6679-SGT	43	52585GT	117		107, 125, 133
48942GT	25, 29, 43	49170-5104-SGT	83	52586GT	117	53983GT	89
48943GT	29, 43	49170-5704-SGT	83	52587GT	117	53985GT	17
48946GT	43, 83, 127	49189-5438-SGT	73-74	52588GT	117	53986GT	17
48947GT	25, 29, 43, 83	49190-94800GT	123	52589GT	117	53987GT	17
48948GT	127	49205GT	83	52591GT	117	53988GT	17
48959GT	25, 29, 43, 83	49212GT	123	52592GT	49	53989GT	17
48960GT	25, 29, 43, 83	49214GT	123	52652GT	47	53990GT	17
48963GT	25, 29, 43, 83	49215GT	123	52656GT	47	53991GT	17
48964GT	25, 29, 43, 83,	49219GT	107	52658GT	49	53993GT	17
	127	49386GT	47	52661GT	121	53994GT	17
48977GT	25, 29, 43, 83	49401GT	53	52726GT	21, 39	54274GT	105
48978GT	83	49510GT	93	52762GT	47, 49	54365GT	77, 79, 109
48985GT	83	49511GT	83, 127	52775GT	113	54486GT	121
48986GT	83	49512GT	83, 127	52776GT	113	54627GT	17, 23, 35, 41
48992GT	83	49513GT	83, 127	52777GT	113	54692GT	129
48994GT	83	49515GT	83	52778GT	113	54817P-SGT	107
48997GT	21, 39, 70	49520GT	73-74	52866GT	57	54862GT	47
48998GT	103	49534GT	81	52943GT	19, 23, 37, 41,	55753GT	121
49105-3682-SGT	29, 43	49535P-SGT	81		69-70, 99-100	56057GT	79
49117-2341-SGT	43	49536GT	81	52965GT	11	56424GT	107
49117-2591GT	83			52966GT	11	56704GT	119
49117-5591GT	103			52967GT	11	56843GT	73-74

Part Number	Page	Part Number	Page	Part Number	Page	Part Number	Page
56912GT	17, 23, 35, 41, 49, 95, 105	6175GT	13, 15, 19, 33, 37, 49, 55, 57, 59, 61, 67, 93, 95, 133	65843GT	49, 55	75664GT	73-74
56929GT	99-100	6178GT	77, 79, 87, 95, 97, 109, 119	65865GT	23, 41	75665GT	73-74
57201GT	105	6198GT	93, 97	65876GT	35	75675-SGT	107
58025GT	81	62080GT	67	6595GT	67	75676-SGT	107
58026GT	81	62081GT	74	6607GT	15, 19, 33, 69-70, 89, 107	75677GT	73-74
58027GT	81	62262GT	99-100	6638GT	15, 17, 19, 23, 33, 35, 41, 47, 49, 51, 53, 55, 57, 59, 61, 67, 77, 79, 81, 87, 89, 95, 97, 99-100, 105, 107, 111, 121, 125, 129, 133	75678GT	73-74
58101GT	13, 33	62267GT	99-100	66811GT	77	75679-SGT	107
58112GT	127	62268GT	67	66813GT	111	75680-SGT	107
58113GT	127	62273GT	99-100	66815GT	111	75681GT	73-74
58114GT	127	62420GT	57	66816GT	77	75682GT	74
58115GT	127	62466GT	73-74	66818GT	77, 111	75683GT	74
58139GT	81	62506GT	99-100	66821GT	77, 111	75684GT	74
58140GT	81	62507GT	99-100	6708GT	73-74, 81	75685GT	74
58141GT	81	63173-SGT	89	6782GT	73-74, 81	75686GT	73-74
58209GT	113	63194GT	13, 15, 33	6833GT	57	75697GT	73-74
58222GT	57	63211GT	91	6886GT	47, 55, 57, 67	75700GT	99-100
58256GT	57	63214GT	99-100	6888GT	49, 51, 57, 79, 81, 87, 89, 95, 97	75760-SGT	73-74
58289GT	55	63216GT	15, 33	6889GT	47, 59, 61, 67, 97, 111, 121	75847GT	99-100
58401GT	61	6326GT	87	6935GT	67, 79, 109	75848GT	99-100
58402GT	125	63311GT	121	7056GT	67, 79, 107, 109	75849GT	95, 99-100
58415GT	57	63343GT	95	72043GT	23, 41	75858GT	67
58477GT	117	63347GT	91	72161GT	11	77046GT	11
58900GT	47	63348GT	87	72245GT	113	77069GT	67
58915GT	73-74	63351GT	91	72255GT	57	7713GT	57, 59, 61, 67, 87, 97, 107, 125
58916GT	73-74	63352GT	99-100	72282GT	119	77170GT	51
58917GT	49, 57	63354GT	99-100	72292GT	49, 55	77183GT	11
58919GT	97	63356GT	15, 33	72300GT	35	77239GT	41
58920GT	97	63374GT	93	72326GT	109, 119	77240GT	41
58923GT	117	63376GT	95	72327GT	51	77355GT	47
58927GT	97	63463GT	57	72441GT	11	77692GT	105
58954GT	125	6356GT	15, 17, 23, 33, 35, 41, 49, 51, 55, 57, 77, 79, 87, 89, 91, 93, 95, 97, 105, 107, 111, 121	7265GT	121	77876GT	99-100
58958GT	74	63766GT	107	73185GT	17, 23, 35	77885GT	49
58967GT	47	65441-SGT	15, 33	73233GT	107	77990GT	49, 55
59050GT	13, 15, 33	65443GT	19, 37	73257GT	17, 23, 35	81108GT	73-74
59069GT	13, 15, 33	65445GT	23, 41	73258GT	17, 23, 35	81578GT	73-74
59188GT	13, 15, 33	65446GT	23, 41	73259GT	17, 23, 35, 41	8170GT	51, 53
5923GT	13	65447GT	23, 35, 41	73260GT	17, 23, 35	8177GT	49, 55
59328GT	15, 33	65448GT	23, 35, 41	73261GT	17, 23, 35	8178GT	59, 63
6019GT	49, 67, 73-74, 81, 95, 99-100, 105, 107, 125, 133	65449GT	39	7339GT	15, 33, 91	8179GT	95
6021GT	13, 15, 19, 33, 37, 49, 51, 55, 67, 73-74, 81, 93, 95, 97, 133	65450GT	35	73455GT	73-74	824164GT	95
6024GT	67, 89, 93	65451GT	35	73477PGT	105	824879GT	77, 111
6033GT	13, 15, 23, 33, 41, 49, 55, 73-74, 87, 89, 91	65452GT	47	73478PGT	105	825019GT	87, 89, 91, 99-100
6035GT	121	65453GT	47	73574-SGT	105	8255GT	95, 97
6036GT	51, 55, 121	65454GT	47	73575GT	107	83081GT	41
60370-SGT	105	65455GT	47	73587GT	107	8357GT	15, 33, 93
6037GT	55	65456GT	47	73610PGT	105	84134GT	21
60857GT	57	65457-SGT	109	73900GT	105	84135GT	21
6086GT	51, 93	65458GT	55	73918GT	73-74	8516GT	51, 91, 99-100
6090GT	17, 23, 35, 41, 49, 51, 55, 57, 59, 61, 67, 77, 79, 93, 105, 107, 111, 121, 129	65459GT	55	73928GT	105	88356-11773GT	95
6091GT	19, 47, 51, 53, 57, 79, 81, 87, 89, 95, 97, 99-100, 107, 125, 129, 133	65460GT	49	73931GT	107	88356-146R5GT	87, 97
60954-SGT	105	65461GT	70	73963GT	125	8843GT	109
6095GT	51, 93, 97	65462GT	70	73976GT	105	88451GT	47
6096GT	51	65463GT	91	73977-SGT	105	88455GT	47
6097GT	51, 55, 57, 59, 63, 105	65465GT	11	73978GT	105	8910GT	67
6115GT	41	6550GT	105	74872GT	95, 99-100	8914GT	79, 87, 97, 111
6145GT	81, 99-100, 121, 133	65608GT	41, 73-74	75073GT	81	8915GT	47, 107, 133
6146GT	119	65610-SGT	59	75119GT	74	89296GT	95
		65611-SGT	63	75395GT	99-100	89448PGT	119
		65612GT	67	75516-SGT	105	89453GT	53
		65650-SGT	53	75575GT	73-74	89620GT	67
		65766GT	23, 41	75649GT	67	89625GT	81
		65770GT	49	75650-SGT	51	89629GT	81
		65799GT	99-100	75658GT	73-74	89785GT	55
		65810GT	57	75659GT	73-74	89800GT	74
		65815GT	57			89885GT	73-74
		65827GT	117			89915PGT	121
		65841GT	125			94077GT	67
		65842GT	99-100			94399GT	99-100
						94920GT	73-74
						94922GT	47, 49
						9596GT	121
						9599-SGT	121
						97887GT	11
						97890GT	11

Part Number Index (continued)

Part Number	Page
T108075GT	99-100
T111608GT	125
T111609GT	125
T111610GT	125
T111611GT	125
T111612GT	125
T111613GT	125
T112563GT	109
T113653GT	51
T113655GT	51
T114678GT	57

The Part Description Index is an alphabetical index of all part descriptions included in this manual. The index shows what page(s) the part is used on.

A

ACTUATOR ASSY,PROX.SWITCH.....15, 33
 ACTUATOR, FORD EFI PRECISION.....47
 ADAPTER (53073,52591) **.....117
 ADAPTER,LP VENTURI.....47
 ADAPTER,PIPE NIPPLE.....83, 127
 ADAPTER,THROTTLE ACTUATOR***.....47
 AIR CLEANER.....57
 AIR CLEANER,FORD EFI***.....49
 AIR CLEANER,NELSON**.....57
 AIR INTAKE FRAME.GRAY.....81
 AIR INTAKE SCREEN, GRAY.....81
 ALARM,CHIME TONE 5-25VDC***.....119
 ALARM,INTERMITTENT TONE 6-30V*.....119
 ALARM,WARBLE TONE 5-30 VDC***.....109
 ALTERNATOR, DEUTZ F3L10/F4L10*.....53
 ALTERNATOR,LRG-423 RE-BUILT*.....47
 ANGLE,RELAY MOUNTING.....79
 ASSEMBLY,FOOT SWITCH***.....107
 ASSY, CIRCUIT BREAKER 15A.....77
 ASSY, MED. PRESS. FILTER, SAE8.....49, 57
 ASSY,CLIP,SPRING,CHAIN.....61
 ASSY,RECEP,12V,CSA TILT.....67
 ASSY,RELAY SOCKET, AUTO.....79

B

BAFFLE, AIR CLEANER (27915)**.....57
 BALL STUD,1/2" BALL,3/8-16X1.2.....81
 BASE, W/1 N.O. CONTACTS***.....111
 BASE,WITHOUT CONTACTS.....77, 111
 BATTERY CABLE,1/0 GA,BLK 30".....57
 BATTERY HOLD DOWN,GROUP 31.....51, 53
 BATTERY,12V,1000 CCA GRP 31.....51, 53
 BEARING & RACE KIT(29231)/Z60.....23, 41
 BEARING & RACE KIT-28833/Z60.....35
 BEARING KIT DRIVE TURN AND HUB.....73-74
 BEARING KIT, AUSCO***.....41, 73-74
 BEARING KIT,BRAKE,MICO.....23, 41
 BEARING KIT,MICO.....73-74
 BEARING KIT,PLAT ROTATOR,SUPER.....99-100
 BEARING KIT,ROTATOR,9K***.....99-100
 BEARING NUT (29231).....23, 41
 BEARING,1.00"ID X 1.40"OD X 1".....13, 15, 33
 BEARING,1.25 ID X 1.41 OD X 1".....15, 33
 BEARING,1.25 ID X 1.5 OD X .75.....99-100
 BEARING,1.25ID X 1.5OD X 0.69L.....99-100
 BEARING,1.25IDX1.5ODX1.00L.....99-100
 BEARING,1.75IDX2.00ODX1.50L.....89, 91
 BEARING,2.25IDX2.50ODX1.50L***.....87, 89
 BEARING,2.50IDX2.75ODX2.00L.....13, 15, 33
 BEARING,FL,1.25ID X 1.41OD X 1.....99-100
 BEARING,FL,1.25IDX1.41ODX1.50L.....87, 89
 BEARING,FL,1.75IDX1.94ODX1.50L.....15, 33, 87
 BEARING,FLANGED,.376ID (20424).....113
 BEARING,GARLOCK 20DU12.....91
 BEARING,GARLOCK,28DU24.....87, 91
 BEARING,MOTOR.....125
 BEARING,POLYGON,BM5120.....87, 91
 BEARING,SERIES 3000.....73-74
 BELT,SERPENTINE,LRG425 EFI***.....47
 BELT,TIMING,FORD LRG423/425EFI.....49
 BELT,V, DEUTZ DIESEL ENGINE.....53

BLANKET,BATTERY.....129
 BOLT-FLANGE,M6 X 22MM(52573).....47
 BOOT (20424).....113
 BOOT(BELLOWS),E-STOP,BLACK.....77, 111
 BOOT,BATTERY TERMINAL,RED.....51
 BOOT,CABLE TERM,MED.RED,4/0.....67
 BOOT,CONTROLLER.....115, 117
 BOOT,SOLENOID,29073.....57
 BOOT,THUMB 20424 JOYSTICK.....113
 BOOT,TOGGLE SWITCH,SHORT*.....77, 79, 111, 125, 129
 BOTTLE, COOLANT RECOVERY, 2QT.....51
 BOX,INSTRUCTION STORAGE.....107
 BRACKET, MAP SENSOR.....47
 BRACKET, PANEL WIRE MOUNTING.....77
 BRACKET,ACCESSORY,PAINTED**.....119
 BRACKET,ACTUATOR ARM MTG,PTD.....57
 BRACKET,ADJ.WIPER MOUNT PAINT.....133
 BRACKET,AIR CLEANER MTG.PAINT.....57
 BRACKET,AIR FILTER,FORD GAS PT.....49
 BRACKET,AUX PUMP MOUNT,PAINTED.....67
 BRACKET,EXHAUST SUPPORT,PAINTD.....55
 BRACKET,FUNCTION MANIF,PAINTED.....67
 BRACKET,PUSH ROD SWITCH,PAIN.....15
 BRACKET,PUSH ROD SWITCH,PAINTD.....33
 BRACKET,SOLENOID MTG,PAINTED.....57
 BRACKET,TOGGLE SWITCH.....79
 BRACKET,WIPER ATTACHMENT,BLUE.....133
 BRACKET,WORK LIGHT MOUNT 5/16".....121
 BRACKET,FUEL FILTER (52567).....47
 BRAKE ASSEMBLY,TURNTABLE ROT**.....73-74
 BRAKE,MICO,1400 IN.LBS. **.....23, 41
 BRAKE,SWING,2800 IN/LB.....73-74
 BRIDGE,50A FULL WAVE**.....125
 BRKT,AIR CLEANER ORIENTATION**.....49, 57
 BRKT.,LWR LIMIT SWITCH.....87
 BRUSH & HOLDER ASSY,25225 SWIV.....73-74
 BRUSH ASSEMBLY.....125
 BRUSH HOLDER ASSY, 2500W GENER.....125
 BULB,WORKLIGHT,12V 35W.....121
 BULKHEAD,FEMALE X 4.....81
 BUMPER, PLASTIC, 1.25 O.D.....121
 BUMPER,BATTERY BOX & RAILS.....121
 BUMPER,RUBBER***.....49, 81
 BUSHING,FLANGE,ROTATOR 1".....99-100
 BUSHING,SPRING SEAT.....117
 BUTTON,PUSH,BLACK W/SEAL***.....111
 BUTTON,PUSH,RED MUSHROOM HEAD.....77, 111

C

CABLE ASSEMBLY.....67
 CABLE ASSY,2/0,NEG,BLK,72.....51
 CABLE PROTECTOR.....97
 CABLE SQUEEZE CONN.....79
 CABLE SQUEEZE CONN.,XTRA LRG.....79, 109
 CABLE TIE,11.5" BLACK.....107
 CABLE TIE,4" BLK,HEAT RESISTNT.....47, 77, 107, 115
 CABLE TRACK CHANNEL ASSY.....97
 CABLE TRACK CHANNEL ASSY,Z-60.....97
 CAM ASSY (20424).....113

CAP, COOLANT RET SYS(54071).....51
 CAP, DUST.....17
 CAP,DIAGNOSTIC NIPPLE.....21, 39, 70, 103
 CAP,DISENGAGE-45553 TORQUE HUB.....23, 41
 CAP,FILLER BREATHER,3 MICRON**.....59, 61, 63, 65
 CAP,FUEL,DIESEL,1/8"VENT(GRN).....63
 CAP,FUEL,GAS,1/8"VENT(RED).....59
 CAP,FUEL,GREEN*.....65
 CAP,FUEL,RED***.....61
 CAP,OIL FILLER,DEUTZ,DIESEL***.....57
 CAP,RADIATOR,FORD***.....51
 CAPACITOR,TIME DELAY.....109
 CARRIER TERMINAL(5 PER BLOCK).....79
 CASTING,45049, 40612.....115
 Check Valve.....69-70
 CLAMP, AIR CLEANER (27915)**.....57
 CLAMP,0.50,#8 X 1/4,RUB CUSH.....57
 CLAMP,0.75,#12 X 1/4,RUB CUSH.....79, 109
 CLAMP,1.00,#16 X 1/4,RUB CUSH.....100
 CLAMP,1.25X.5 RUBBER-CUSHION.....107
 CLAMP,1.75,#28 X 3/8,RUB CUSH*.....51
 CLAMP,2.75,#44 X 1/4,RUB CUSH*.....59, 61
 CLAMP,HOSE,.25" - .63" X .3125.....59, 61, 63, 65
 CLAMP,HOSE,.63" - 1.0" X .5".....47, 49
 CLAMP,HOSE,1.25***.....47
 CLAMP,HOSE,1.75.....47, 51
 CLAMP,HOSE,1.75,LINED.....131
 CLAMP,HOSE,2.50***.....57
 CLAMP,HOSE,3.00".....47, 49, 131
 CLAMP,MUFFLER,2 1/4" ID.....55
 CLAMP,RUBBER CUSHIONED-2 5/32.....99-100
 CLEVIS YOKE-1/4-28,PLTD W/PIN.....57
 CLIP,AIR CLEANER END CAP***.....57
 COIL WITH DE CONNECTOR.....19, 69-70
 COIL, 12V, 19972/21623/29069.....69-70
 COIL, ELECTRONIC IGN., FORD.....47
 COIL,10V.....19, 37
 COIL,12 VOLT (21299 MANIFOLD).....69-70
 COIL,12V.DO1 VALVE.....125
 COIL,GREEN W/ 2 PIN CONNECTOR*.....99-100
 COIL,SOLENOID VLV,10V W/ DIODE.....23, 41
 COIL,SOLENOID,10V.....67, 99-100
 COLD START,DEUTZ,BIG BOOM.....129
 COLD START,FORD, BIG BOOM.....129
 COLLAR, BOOT RETAINING.....113
 C O M P R E S S I O N M E M B E R
 WELD,MACH.....99-100
 CONN, 520120-4-6 0.030 ORIFICE.....103
 CONN, 520120-6.....25, 29, 43, 55, 83, 103, 127
 CONN, 520120-8-6.....29, 43
 CONN,520102-16.....83
 CONN,520102-6-6.....59, 61, 63, 65, 83
 CONN,520120-12-16.....25, 29, 43, 83
 CONN,520120-4***.....25, 29, 43, 83, 99-100, 103
 CONN,520120-4-6***.....103
 CONN,520120-6-8.....29, 83, 127
 CONN,520120-8***.....83, 127
 CONN,520120-8-10.....43, 83, 127
 CONN,520120-8-12.....127
 CONN, LONG,520122-6.....83, 103, 127

Part Description Index (continued)

CONN,SQUEEZE,1/2NPT .38-50,SM.....67,
79, 107, 109
CONNECTING LINK ASSY.....87, 89
CONNECTOR, DEUTZ FUEL SHUTOFF*.....57
Contact service department.....17
CONTACT, N.C.....77, 111
CONTACT,N.O.*...77
CONTACTOR,LIMIT SWITCH.....87, 97
CONTROL BOX COVER, RIGHT SIDE*.....121
CONTROL BOX COVER,LEFT SIDE**.....121
CONTROL BOX W/DECAL-Z60.....109
CONTROL BOX W/LID&DECAL,GRND.....79
CORROSION INHIBITOR,FOAM.....109
Counterbalance Valve.....69-70
COUNTERBLNCE SANDWICH(30283).....70
COUPLER - 27648 POWER UNIT.....67
COUPLER, PUMP / MOTOR (36179).....67
COUPLER,ELECTRIC ROTARY.....73-74
COUPLER,HUB,15 TOOTH 7/16BOLT*.....49,
55
COUPLING, 28MM (106113).....51
COV. ASSY GRND.CONT.S40/60/80.....81
COVER - DEUTZ F4L1011F.....55
COVER - END,TORQUE HUB (29231).....23,
41
COVER ASSY, CHASSIS,DRIVE.....23, 41
COVER ASSY, LH, TANK SIDE.....81
COVER ASSY, RH, ENGINE.....81
COVER ASSY, RH, ENGINE, DIESEL.....81
COVER ASSY,DRIVE CHASSIS,STEER.....17,
35
COVER ASSY.L.H.TANK SIDE.....81
COVER ASSY.R.H.ENGINE DIESEL.....81
COVER ASSY.R.H.ENGINE GAS.....81
COVER CAP,TORQUE HUB***.....23, 41
COVER CASTING,20424 CONTROLLER...113
COVER REINFORCEMENT, L.H.....81
COVER REINFORCEMENT, R.H.....81
COVER, DUCT, WIRING.....79
COVER, SERVO (24667).....41
COVER,CABLE.....87
COVER,CABLE TRACK TRAY,DRILLED.....97
COVER,CABLE,JIB PAINTED.....100
COVER,CABLE,UPR TNSN ARM,PTD.....89
COVER,CONTROL BOX LID.....121
COVER,DRIVE CHASSIS,AXLE,PAINT.....23,
41
COVER,FOOT SWITCH.....107
COVER,FRONT DEUTZ ENGINE.....53
COVER,GFCI,WEATHERPROOF.....109
COVER,KNOCK OUT HOLE,4 PER BAG...109
COVER,PROTECTIVE,STEERING.....131
COVER,PROTECTIVE,SWING CHASSIS...133
COVER,PROTECTIVE,Z60 ELEVATE.....131
COVER,PROTECTIVE,Z60 JIB.....131
COVER,PROTECTIVE,Z60 MASTER.....131
COVER,PROTECTIVE,Z60 PRIMARY.....131
COVER,PROTECTIVE,Z60 SLAVE.....131
COVER-END,TORQUE HUB (28833).....35
CYL,EXT,2.5 X 112.25,Z60.....95
CYLINDER MOUNT BAR.....95
CYLINDER, LIFT.....91
CYLINDER, MASTER.....91
CYLINDER, OSCILLATING AXLE.....15, 33
CYLINDER, PRIMARY LIFT Z60.....91
CYLINDER, SECONDARY LIFT Z60.....87
CYLINDER,JIB,Z60.....99-100
CYLINDER,SLAVE.....99-100
CYLINDER,STEERING,Z60***.....13, 15, 33

D

D03 Valve.....69-70
DECAL KIT,INSTRUCT,Z-60 DIESEL.....11
DECAL KIT/SFTY-INSTRUCTZ60IC.....11
DECAL PLATE ASSEMBLY.....105
DECAL, PATCH, GEN,ALC-500.....11, 125
DECAL, POWER TO PLATFORM 230V**.....11
DECAL,ARROW BLUE.....11
DECAL,ARROW YELLOW LRG 9".....11
DECAL,COSMETIC,4 X 2.....11
DECAL,COSMETIC,4 X 4.....11
DECAL,COSMETIC,GENIE BOOM,HORZ.....11
DECAL,COSMETIC,GENIE Z-60/34.....11
DECAL,DANGER DO NOT ALTER SWTC.....11
DECAL,DANGER,ELEC.HAZ.STAY CLR.....11
DECAL,DANGER,GEN SAFETY RULES.....11
DECAL,DANGER,NO SMOKING ***.....11
DECAL,DANGER,TILT ALARM.....11
DECAL,DIESEL.....11
DECAL,GND CONT PNL,Z60.....11
DECAL,INSTR,MAX SIDE FRC,ANSI.....11
DECAL,INSTR,SIDE FRC/WIND,AUS.....11
DECAL,INSTRUCT,FOOTSWITCH OPER.....11
DECAL,LABEL, AIR LINE 110 PSI.....11, 123
DECAL,LABEL,LFT/DRV SELECT.....11
DECAL,LABEL,LIQUID PROPANE.....11
DECAL,LABEL,MANUAL NOT HERE.....11
DECAL,LABEL,UNLEADED GAS ONLY.....11
DECAL,LANYARD ANCHORAGE POINT.....11
DECAL,NOTICE TIRE PRESSURE.....11
DECAL,NOTICE, FUNCTION ENABLE*.....11
DECAL,NOTICE,AIR INLET***.....11
DECAL,NOTICE,DEUTZ ENG SPEC.....11
DECAL,NOTICE,FORD EFI ENG SPEC.....11
DECAL,NOTICE,HAZARDOUS MAT'L*.....11
DECAL,NOTICE,MAX LOAD 500 LBS.....11
DECAL,NOTICE,OPER INST.IC***.....11
DECAL,NOTICE,SHUTOFF VALVES.....11
DECAL,OPTION GLOW PLUGS***.....11, 129
DECAL,PLATFORM CONTROL PANEL**.....11
DECAL,PLATFORM CTRL PANEL ***.....11
DECAL,POWER TO PLATFORM 115V.....11
DECAL,PROTECTOR,CLEAR,PLATE***.....11
DECAL,TRIANGLE,BLUE.....11
DECAL,TRIANGLE,YELLOW.....11
DECAL,USE DEXRON***.....11
DECAL,WARN,CRUSH HAZARD HAND.....11
DECAL,WARN,CRUSH HAZARD PLAT.....11
DECAL,WARN,FALL HAZARD.....11
DECAL,WARN,IMPROPER OPERATION.....11
DECAL,WARN,SHEAR TURNTABLE.....11
DECAL,WARNING COLLISION HAZARD.....11
DECAL,WARNING-COMPART ACCESS.....11
DIAGNOSTIC FEMALE Q-DSCNT.....21, 39,
70, 103
Diagnostic Fitting.....21
Diagnostic Nipple.....39, 69-70
Differential Sensing Valve.....69-70
DIN RAIL,23.75".....79
DIODE BLOCK SUPPRESSION.....79
DIODE,6 AMP,200 PIV,BULK.....57, 119
DIPSTICK - DEUTZ F4L1011F.....57
DIPSTICK, OIL LEVEL,LRG425 EFI.....47
DISC KIT DRIVE TURNTABLE Z-60*.....74
DISCONNECT ROD-45553 TQ.HUB.....23, 41
DOOR LATCH,BASE CONTROL BOX.....81
DRIVE GEAR - INSIDE #53073.....117
DRIVE GEAR - OUTSIDE #53073.....117
DRIVE MOTOR REAR,2WD/11 DEGREE.....23

DRVE MOTOR REAR,4WD/1DEGREE.....41

E

EDC ASSY,SAUER,M46***.....49, 55
ELBOW,45D,520320-12-16.....83
ELBOW,45D,520320-16.....83
ELBOW,45D,520320-16-12.....83
ELBOW,90 DEGR,RUBBER,2.5" I.D.*.....57
ELBOW,90D,520202-12-16.....83
ELBOW,90D,520220-4-4.....25, 29, 43
ELBOW,90D,520220-4-6***.....25, 29, 43, 83
ELBOW,90D,520220-6.....25, 29, 43, 83, 127
ELBOW,90D,520220-8-12.....25, 29, 43, 83
ELBOW,90D,520220-8-6.....25, 29, 43
ELBOW,90DEG,FEM,1"NPT.....83, 127
ELBOW,90DEG.3/8MPT-5/8 BARB.....49
ELEC.SWIVEL LOCK ANGLE,PAINT.....73-74
ELEMENT-5 MIC, PAPER, W/ BYPASS.....49,
57
END CAP,AIR FILTER-27915&49740.....49, 57
END PLATE,WAGO.....109
ENGINE,FORD LRG 425,EFIZ45.....47
EVACUATOR VALVE-AIR CLEANER.....57
EXHAUST HOOD WELDMNT.....133
EXHAUST,TAILPIPE,DEUTZ,Z60.....55
EXTENSION BOOM TUBE ASSY,Z60.....95,
99-100
EXTENSION TUBE END CAP,PAINTED.....95
EXTRUSION,RUBBER BUMPER STRIP.....59,
61, 63, 65

F

FAN, LSG423/LRG425.....47
FEMALE BULKHEAD CONNECTOR-8.....123
FILM,POLY,CLEAR,4.5 X 8.75.....11
FILTER ASSEMBLY W/IND L,PAPER.....59,
61, 63, 65
FILTER ASY,M PRESS,SAE8,WOIND*
(77139).....49, 57
FILTER ELEMENT-10 MIC***.....49, 57
FILTER MOUNT BRACKET.....49, 57
FILTER, FUEL LRG 425/423 EFI.....59, 61
FILTER, OIL, FORD.....47
FILTER,AIR***.....57
FILTER,AIR,ELEMENT***.....49, 57
FILTER,ELEMENT,BETA(5)=1000.....57
FILTER,ELEMENT,BETA(6)=200.....59, 61, 63,
65
FILTER,FUEL/WTR SEP, DTZ 1008.....57
FILTER,OIL,DEUTZ F4L1011F.....57
FILTER,OIL,DEUTZ,REPLACEMENT.....57
FILTER,OIL,FORD.....47
FITTING,070302-4.....73-74
FITTING,1/4 MPT 5/16 BARB.....59, 61, 63, 65
FITTING,CONN,520120-12***.....25, 29, 43, 83
FITTING,ELBOW,45D,520320-12***.....25, 29,
43, 83
FITTING,ELBOW,90D,520220-12.....25, 29, 43,
83
FITTING,ELBOW,90D,520220-6-8.....25, 29,
43, 83
FITTING,ELBOW,90D,520220-8***.....83, 127
FITTING,REDUCER,520123-12-8***.....43
FITTING,TEE,RUN,SWIVEL520432-4.....25,
29, 43
FITTING,TEE,RUN,SWIVEL520432-8.....25, 29
FITTING,TEE,RUN,SWIVEL52043212.....25,
29, 43, 83, 127

- FLANGE-JOYSTICK MOUNTING,44988....117
 FLASHTUBE,STRAIGHT,360DEG,BULB....119
 FLASHTUBE,U SHAPED,360DEG,BULB...119
 FLOORING,6'FT PLATFORM.....105
 FLOORING,6 FT PLATFORM,SERVIC.....105
 FLOORING,8 FT PLATFORM**.....105
 Flow Divider/Combiner Valve.....21
 Flow Regulator.....69-70
 Flow Regulator Valve, 0.1 gpm (0.4 l/min)...69-70
 Flow Regulator Valve, 0.6 gpm (2.3 l/min)...69-70
 Flow Regulator Valve, 1.5 gpm (5.7 l/min)...69-70
 FLYWHEEL COVER,CASTING***.....55
 FLYWHEEL FLANGE,GREEN PLASTIC.....49, 55
 FOAM GASKET,AIR INTAKE.....53
 FOOT SWITCH GUARD W/DECALZ45.....107
 FOOT SWITCH***.....107
 FORMING,ALARM/BEACON.....119
 FRONT AXLE ASSY,S60,Z60.....15, 33
 FUEL FILTER W/SEP,DEUTZ,1008.....57
 FUEL INJECTOR, LRG-425 EFI.....47
 FUEL LINE INJ. DEUTZ F4L1011F.....55
 FUEL PRESSURE REG,425EFI***.....47
 FUEL PUMP KIT,LRG 425,WALBRO**.....47
 FUEL TANK ASSY W/CAP, 20 GAL.....59
 FUEL TANK ASSY W/CAP, 20 GAL**.....63
 FUSE HOLDER,WATERPROOF.....67
 FUSE,1 AMP.....67
- G**
- GAS STRUT,200 LBS.FORCE.....81
 GASKET - THROTTLE BODY, 425EFI.....47
 GASKET, WATER PUMP.....47
 GASKET,ADAPTER PLATE,425EFI***.....47
 GASKET,EXHAUST.....55
 GASKET,EXHAUST***.....49
 GASKET,GBOX,S80/85 2008.....79
 GASKET,LP ADAPTER.....47
 GASKET,MTR/TORUE HUB(28833).....35
 GASKET,THERM.HSNG O-RING.....47
 GASKET,TURTLE,DRV MTR,EDC.....41
 GASKET,UPPER CONTROL BOX.....109
 GASKET-VENTURI BEAM (FORD).....47
 GATE LATCH CASTING--DRILLED.....121
 GAUGE,FUEL,SIDE MOUNT.....61, 65
 GAUGE,OIL PRESSURE W/O SENDER.....77
 GAUGE,OIL TEMP.....77
 GAUGE,VOLTAGE.....77
 GAUGE,WATER TEMP.....77
 GAUGE-SIGHT,LHA-LGTB***.....59, 61, 63, 65
 GEAR CASTING,20424 CONTROLLER*.....113
 GEAR, SLAVE, MS4,45048.....115
 GEN.OPT.FORD,110V/3000W Z45***.....125
 GENERATOR,2500W HYD.220/50HZ.....125
 GLOW PLUG,L1011.....129
 GROMMET,RUBBER,1.0X0.094X1.375.....107
 GUARD, HOSE PROTECTOR.....33
 GUARD,FOOTSWITCH,W/DECAL ALUM...107
 GUARD,PLATFORM CNTRL PANEL PTD.....121
- H**
- HANDLE HALF,JOYSTICK (20424).....113
 HANDLE,CAP,CONTROLLER.....115, 117
 HARNESS,ENGINE,DEUTZ,Z60,2002*.....53
- HARNESS,TILT ALARM,12V.....67
 HARNESS,WIRE,ROTARY/CNTRL.BOX.....73-74
 HARNESS,WIRE,ROTARY/MANIFOLD.....73-74
 HEATER,FREEZE PLUG,FORD LRG423...129
 HINGE CASTING.....121
 HINGE SPACER.....81
 HINGE,,375X.120THK.,SLOTTED.....81
 HINGE,PLAT CONTROL BOX COVER.....121
 HORN,12VDC,SPADE TERMINALS***.....73-74
 HOSE ASSEMBLY 3/4".....83
 HOSE ASSEMBLY,1.....83
 HOSE ASSEMBLY,1/2.....25, 43, 83, 127
 HOSE ASSEMBLY,1/2".....25, 29, 43, 83, 123
 HOSE ASSEMBLY,1/4.....25, 29, 43, 73-74, 83, 103
 HOSE ASSEMBLY,3/8.....25, 29, 43, 83, 103
 HOSE ASSEMBLY,LP. 137".....49, 59, 61
 HOSE ASSY 1/4,STR FEM,STR FEM.....25, 29, 43
 HOSE ASSY 3/8".....55
 HOSE ASSY(2SPD TO L.R.DRV MOTR.....25, 29, 43
 HOSE ASSY,1/2,45 FEM,STR FEM.....43
 HOSE ASSY,1/2,90 FEM,STR FEM.....25, 29, 43, 83
 HOSE ASSY,1/4",90 FEM,STR F.....103
 HOSE ASSY,1/4,90 FEM,STR FEM.....43
 HOSE ASSY,1/4,90 FEM,STR FEM**...83, 103
 HOSE ASSY,1/4,STR FEM,STR FEM.....25, 29, 43, 103
 HOSE ASSY,3/4".....25, 29
 HOSE ASSY,3/4,90 FEM,STR FEM.....25, 29, 43, 83
 HOSE ASSY,3/4,STR FEM,STR FEM.....25, 29, 43
 HOSE ASSY,3/8,45 FEM,STR FEM.....29, 43, 83
 HOSE ASSY,3/8,90 FEM,STR FEM.....83
 HOSE ASSY,54".....81
 HOSE END,90DEG,,63 HS X.25 MPT.....49
 HOSE END,MALE.25 X .25 MPT***.....63, 65
 HOSE GEN.MAN TO FILTER (PAR).....127
 HOSE GEN.MTR TO GEN.MAN.(PAR).....127
 HOSE,3/4,LP.....49
 HOSE,5/16 FUEL,SAE 30R7.....59, 61, 63, 65
 HOSE,AIR INT.2.5 IDX12" W/450.....49
 HOSE,AIR INTAKE 2.25" I.D.....57
 HOSE,AIR INTAKE 2.5 ID X 6.5.....47
 HOSE,AIR INTAKE 2.75" I.D.**.....57
 HOSE,AIR INTAKE,2.50IDX19.00".....57
 HOSE,FIRE RES.,5/8 ID,BULK.....47
 HOSE,GEN. MAN.TO FUNC.MAN(PAR).....127
 HOSE,GEN.MOTOR TO MAN(PAR).....127
 HOSE,LOW PRESSURE,,375 ID,BLK.....49
 HOSE,LOWER RADIATOR,Z45.....51
 HOSE,UPPER RADIATOR,Z45.....47
 HOSE,WATER INLET,LRG425 EFI.....47, 49
 HOUR METER,10-80 VOLTS***.....77
 HYDRAULIC MOTOR 3000W GENER.....125
 HYDRAULIC SWIVEL,4 PORT,Z60.....73-74
- I**
- INJECTOR - DEUTZ F4L1011F.....55
 INJECTOR PUMP - DEUTZ F4L1011F.....55
 INJRCTOR-FUEL(F4L 1011F-EPA).....55
 INNER BEARING.....17
- ISOLATOR, VIBRATION.....49, 51
 ISOLATOR,VIBRATION,LG,RD&WH***.....51, 53
- J**
- JIB BOOM ASSEMBLY.....99-100
 JOYSTICK CONTROLLER,12V.....113
 JOYSTICK,MULT AXIS CONT.....117
 JOYSTICK,MULT AXIS CONT,OEM***.....117
 JOYSTICK,SINGLE AXIS PROPORT.....115
- K**
- KEY,LATCH, 1 PAIR (28125).....81
 KEYSWITCH,3POS.MNTND.DR WKEY**.....77
 KEYSWITCH,CONTACTS LOCK.....77
 KIT, 500 HR, DEUTZ TURBO.....53
 KIT, AUX TOP RAIL SUPPORT.....121
 KIT, JOYSTICK HANDLE.....113
 KIT, BEARING, Z60.....17
 KIT, CONTROL BOX COVER.....121
 KIT, ESTOP SVC BB&SM BOOM.....77, 111
 KIT, FIELD INSTALL, SWING GATE.....121
 KIT, FORD EFI UPDATE, BASE***.....47, 49
 KIT, GASKET, UK POWER TO PLAT.....109
 KIT, HORN SVC BB&SM BOOM.....111
 KIT, KEYSWITCH SVC BB & SM BOOM.....77
 KIT, KEYSWITCH SVC BB&SM CE.....77
 KIT, PLAT CONTROL PANEL GUARD**.....121
 KIT, SEAL, 3CC PUMP***.....49, 55
 KIT, SWING GATE W/SPRING.....121
- L**
- LATCH,SLIDE, FLUSH MOUNT STYLE.....81
 LATCH,T-HANDLE,5 SIDED W/KEYS*.....81
 LATCH,TURNTABLE FLUSH STYLE.....81
 LENS,AMBER,STROBE,FIREBOLT.....119
 LIGHT,LED IND. RED 12V NH.....77, 111
 LIMIT SWITCH ASSY,Z60 LINKAGE.....89
 LIMITER PC BOARD, HORSEPOWER.....109
 LINING KIT,AUSCO (73918)***.....73-74
 LINING KIT,AUSCO BRAKE***.....41
 LINING KIT,MICO BRAKE.....23, 41
 LINING REPAIR KIT (41915).....73-74
 LINK,NYLATRAC KS6-5.4***.....97
 LOCK RING.....113
 LOCKNUT,ELEC,1/2".....67, 79, 109
 LOCKNUT,ELECTRIC,1" NPT.....79
 LOCKNUT,ELECTRIC,3/4".....79, 109
 LOWER LIMIT SWITCH CAM.....87
 LOWER MIDPIVOT ASSY,Z60.....89
 LOWER SECONDARY BOOM ASSY.....87
 LOWER TENSION MEMBER WELDMENT.....87, 89
 LP.TANK BRACKET TALL WLDMNT.....59, 61
 LPG TANK,OPTION.....125
 LUG,WHEEL STUD,5/8-18,W1/4HB**.....23, 35, 41
- M**
- MAGNET,NEODYMIUM,,375 X .100.....15, 33
 MALE PIPE THD,1/4" SER,3/8"X18.....123
 MANIFOLD,BRAKE/MOTOR SHIFT.....23, 41
 MANIFOLD,DUAL COUNTERBALANCE....99-100
 MANIFOLD,FUNCTION.....69-70
 MANIFOLD,GENERATOR.....125

Part Description Index (continued)

MANIFOLD,MACHINED,JIB & ROTATE.....99-100
 MANIFOLD,ROTATOR,180 DEG.***.....99-100
 MANIFOLD,STEER/OSCILLATION***.....19, 33, 37
 MANIFOLD,TRCN W/BYPASS,4WD***.....39
 MANIFOLD,TURNTABLE ROTATION***.....74
 MANUAL BOX W/DECALS***.....107
 MAP SENSOR, EFI.....47
 MICROSWITCH,ELECTRIC ROTARY.....73-74
 MICROSWITCH,V3L-139-D8.....115, 117
 MIDRAIL GUIDE (HOOK).....107
 MODULE,IGNITION/START,12/24V.....79
 MOTOR,12V DC,APU (53236).....67
 MOTOR,12VDC,77066.....67
 MOTOR,HYDRAULIC GENERATOR.....125
 MOTOR,SWING DRIVE (53147).....74
 MOTOR,TURNTABLE ROTATION***.....74
 MOUNT BRACKET,GENERATOR PAINT.....125
 MOUNT,RAD,SUPPT,LH,BLUE.....51
 MPT,CPLR,1/4"SER,3/8"X18.....123
 MTR/TORQUE HUB,FRT,WM2-33.8:1*.....35
 MUFFLER**.....55
 MUFFLER,FORD LRG S40-60-80***.....49

N

NIPPLE,DIAGNOSTIC,#4.....21, 39, 70
 NIPPLE,DIAGNOSTIC,#6 PORT***.....103
 NON-OSCILAT'G AXLE Z60/1997.....13
 NUT & BOLT KIT (25883).....113
 NUT - PLASTIC,RING FOR ALARMS.....109, 119
 NUT - WING, AIR FILTER, 425EFI.....49
 NUT, CP521-1 VALVE.....125
 NUT, LP NYLOCK, 3/8-16...57, 59, 61, 67, 87, 97, 107, 125
 NUT,CASTLE, 1-1/4 - 12 UNF.....17
 NUT,FLG-LRG,3/8-16,YZ.....51
 NUT,HEX,1/4-28.....57
 NUT,HEX,5/16-18,GR5.....55
 NUT,HEX,M4 X 0.7 MM (20424)***.....113
 NUT,LOCKING-LG.FLANGE,5/16-18.....49, 51
 NUT,LP NYLOCK,1/2-13.....51, 93
 NUT,LP NYLOCK,1/4-20.....47, 59, 61, 67, 97, 111, 121
 NUT,LUG,5/8-18 X 90 DEGREE,Z45.....17, 23, 35, 41
 NUT,NYLOCK,1-8.....105
 NUT,NYLOCK,1.125-12.....95
 NUT,NYLOCK,1/2-13.....93, 97
 NUT,NYLOCK,1/4-20.....19, 47, 51, 53, 57, 79, 81, 87, 89, 95, 97, 99-100, 107, 125, 129, 133
 NUT,NYLOCK,10-24.....47
 NUT,NYLOCK,10-32.....77, 79, 87, 95, 97, 109, 119
 NUT,NYLOCK,3/8-16.....51, 59, 61, 63, 65, 73-74, 81, 87, 89, 91, 99-100, 105, 133
 NUT,NYLOCK,5/16-18.....73-74, 81
 NUT,NYLOCK,5/8-11.....67, 89, 93
 NUT,NYLOCK,6-32.....109
 NUT,SOLENOID VALVE 2P3W.....67, 99-100
 NUT,SOLENOID VALVE COIL.....19, 23, 37, 41, 69-70, 99-100
 NUT,WING,1/4-20.....51, 53
 NUT-D03 COIL.....19, 69-70
 NUT-FLANGE,7/16-14.....49
 NUTSERT,1/4-20,STEEL CAD PLTD.....79
 NUTSERT,10-32 STEEL CAD PLTD.....119

O

O-RING - TORQUE HUB END COVER.....23, 35, 41
 O-RING KIT (ORFS FITTINGS).....19, 21, 25, 29, 37, 39, 43, 69-70, 83, 103, 127
 O-RING KIT,EDC CONTROLLER.....49, 55
 O-RING KIT,FIELD SVC,ALL PROD*.....19, 21, 37, 39, 69-70, 83, 103
 O-RING***.....49, 55
 O-RING, D03 COIL.....69-70
 O-RING, DO1 VALVE.....69-70, 125
 O-RING, ROTATOR MANIFOLD.....99-100
 O-RING,2-044 BUNA***.....23, 41
 O-RING,BOOT,CONTROLLER.....115, 117
 O-RING,FILTER ASSY (60334)***.....57
 O-RING,MOTOR TO BRAKE***.....23, 41
 O-RING,SPACER #115***.....125
 OIL FILLER CAP FOR LRG ENGINE.....47
 OPTION,WORKLIGHT,12 VOLT.....121
 Orifice - Plug, 0.070 inch (1.38 cm).....21
 ORIFICE PLUG,.025 (30551).....23, 41
 OSCILLATING AXLE WEDGE BLOCK.....15, 33
 OUTER BEARING.....17
 OUTLET, 110V.....109

P

PAD,ENGINE SLIDE.....55
 PAD,EXTENSION CYLINDER.....95
 PCB,11179AB, (SWING)***.....117
 PCB,11179CD,(LIFT)***.....117
 PCB,ASSY,24495.....115
 PIN, COTTER, 732 DIA.....17
 PIN,1.00DIAX2.88LG,1HOLE.....13, 15, 33
 PIN,1.00DIAX4.63LG,1HOLE.....73-74
 PIN,1.25 X 7.57 IN,1HOLE.....99-100
 PIN,1.25DIAX11.50LG,1HOLE.....91
 PIN,1.25DIAX13.75LG,2HOLE.....99-100
 PIN,1.25DIAX14.12LG,1HOLE.....87
 PIN,1.25DIAX5.25LG,1HOLE.....99-100
 PIN,1.25DIAX6.67LG,2RING.....95
 PIN,1.25DIAX8.50LG,1HOLE.....99-100
 PIN,1.75 DIAX4.50LG,THREADED.....87
 PIN,1.75DIAX13.50LG,1HOLE.....91
 PIN,1.75DIAX18.13LG,1HOLE.....91
 PIN,1.75DIAX5.25LG,1HOLE.....91
 PIN,1.75DIAX6.00LG,1HOLE.....89
 PIN,1.75DIAX8.50LG,1HOLE.....89
 PIN,2.25DIAX24.63LG,1HOLE.....87
 PIN,2.25DIAX31.75LG,2HOLE.....87, 89
 PIN,2.50DIAX15.00LG,1HOLE.....13, 15, 33
 PIN,2.50DIAX15.75LG,1HOLE.....13, 15, 33
 PIN,CLEVIS,1 X 2.5 LG.....95
 PIN,COTTER,.125 X 1.5.....95
 PIN,MASTER CYLINDER.....91
 PIN,OSCILLATING,ROLLR,8 X 1.75.....15, 33
 PIN,STEER.....13, 15, 33
 PINCH GUARD RAIL,6' PLATFORM.....121
 PINCH GUARD RAIL,8' PLATFORM**.....121
 PINION GEAR.....73-74
 PISTON COMPLETE W/ SEALS.....13, 15, 33
 PISTON SEAL ONLY.....13, 15, 33
 PIVOT TUBE/SPACER Z60.....97
 PLASTIC END STOP.....79
 PLAT.PINCH GUARD,8',1.3.....121
 PLATE,BLUE.....133
 PLATE,ENGINE MOUNT,PAINTED.....51
 PLATE,LATCH,BLUE,PAINTED.....81

PLATE,PUMP MOUNT,FORD,PAINTED.....49
 PLATE,ROTATION LOCK.....73-74
 PLATE,UK POWER TO PLATFORM.....109
 PLATFORM ASSEMBLY 8FT Z-60.....107
 PLATFORM ASSEMBLY Z-60 6FT.....107
 PLATFORM ASSEMBLY Z-60 6FT***.....107
 PLATFORM LEVELING ASSEMBLY.....99-100
 PLATFORM RAIL ASSY, 8FT, ANSI.....105
 PLATFORM SUPPORT WELDMNT***.....105
 P L A T F O R M S U P P O R T W E L D M N T - S E R V *105
 Plug - Orifice, 0.052 inch (1.32 mm).....39
 Plug - Orifice, 0.07 inch (1.78 mm).....39
 PLUG AND CAP KIT-SERVICE,37 **.....69-70, 83, 103
 PLUG AND CAP KIT-SERVICE,ORFS*.....19, 21, 25, 29, 37, 39, 43, 69-70, 83, 103, 127
 PLUG, TYPE F, 230A, 50HZ, 16A, IP44.....67
 PLUG,ELECTRICAL,DOMESTIC.....67
 PLUG,FUSED,250V,13AMP,U.K.**.....67
 PLUG,NYLON 1.187 BLACK DOMED.....121
 PLUG,ORIFICE, 0.052 (40033).....39
 PLUG,ORIFICE,0.070.....21, 39
 PLUG,PWR,UK,16AMP,3PIN,BLK.....67
 PLUG,SANTOPRENE .5 BLACK DOME.....77, 111
 PLUG,SQUARE HEAD,3/4 MPT.....59, 61, 63, 65
 POTENTIOMETER (20424).....113
 POTENTIOMETER (24493).....115
 POTENTIOMETER-JOYSTCK(53073).....117
 POWER UNIT,AUX PUMP 12VDC.....67
 PRI BOOM TUBE ASSY W/SYM DECAL.....95
 PRI BOOM TUBE ASSY W/WORD DECA.....95
 PRIMARY BOOM REST,PAINTED.....93
 PRIORITY FLOW CONTROL VALVE***.....125
 Priority Flow Regulator Valve, 3 gpm (11.4 l/min).....69-70
 Proportional Solenoid Valve.....69-70
 PROX SWITCH ASSY-Z60.....15, 33
 PULLEY,FORD ENGINE,LRG-423***.....47
 PUMP ASSY, M46+1.0 CU IN LIFT*.....49, 55
 PUMP ASSY,(27648)*****.....67
 PUMP, AUX. POWER UNIT.....67
 PUMP, FUEL LIFT, F4L1011F.....57
 PUMP, WATER, WITH GASKET.....47
 PUMP,LIFT 1.025 C.I.***.....49, 55
 PUMP,VAR.PISTON M46 2.8 CIQVP*.....49, 55
 PUMP-INJECTOR (F4L 1011F-EPA).....55

R

RADIATOR,FORD,LRG.....51
 RAILING CATCH CASTING--DRILLED.....121
 RECTIFIER ASSEMBLY.....125
 Ref CYLINDER, SECONDARY LIFT Z60 (refer to Figure 601.1).....89
 Ref Primary Boom Rest (refer to Figure 604.1).....89
 Ref Tire - Rough Terrain (refer to Figure 302.1).....41
 REGULATOR DIAPH.KIT BEAM 50/60.....49
 REGULATOR,LPG BEAM 60***.....49
 RELAY - LRG425 EFI.....49
 RELAY,SPDT,12V(AUTO) PLUG IN**.....79
 RELAY,SPDT,12V(AUTO)**.....77, 109, 111
 Relief Valve.....21
 Relief Valve, 1200 psi (83 bar).....69-70
 Relief Valve, 1600 psi (110 bar).....69-70
 Relief Valve, 1800 psi (124 bar).....69-70

Relief Valve, 2400 psi (166 bar).....69-70	SCREW,HHC,3/8-16 X 1.....13, 15, 19, 33, 37, 49, 55, 57, 59, 61, 67, 93, 95, 133	SEAL KIT,CB VALVE MANIFOLD***.....74
REPAIR LINK END SET (42763)*.....97	SCREW,HHC,3/8-16 X 1 GRD 8.....105	SEAL KIT,CYL,Z60 (63208).....87
REPAIR LINK,7 LINKS***.....97	SCREW,HHC,3/8-16 X 1.25 GRD 5.....49, 67, 73-74, 81, 95, 99-100, 105, 107, 125, 133	SEAL KIT,CYL,Z60 (63211).....91
RESISTOR,10 OHM,25 WATT.....77	SCREW,HHC,3/8-16 X 1.75,GRD.8.....73-74, 89, 97, 99-100	SEAL KIT,CYLINDER (89060).....95
RESISTOR,100 OHM,25 WATT.....115	SCREW,HHC,3/8-16 X 2.25.....73-74	SEAL KIT,FAIRFIELD,W2B2.....23, 41
RESISTOR,250 OHM,5 WATT.....115	SCREW,HHC,3/8-16 X 2.5.....59, 63	SEAL KIT,HYD SWIVEL (37403).....73-74
REST PAD, LOWER ARM.....93	SCREW,HHC,3/8-16 X 3.....87	SEAL KIT,HYDRAULIC CYLINDER.....87
RETAINER,AXLE ROLLER PIN,PAINT.....15, 33	SCREW,HHC,3/8-16 X 3.25.....99-100	SEAL KIT,LIFT PUMP (53961)***.....49
RETAINER,GAS SPRING***.....81	SCREW,HHC,3/8-16 X 4.....87, 89	SEAL KIT,LIFT PUMP*.....49, 55
RETAINER-N.C.PROPOR.SOLENOID.....69-70	SCREW,HHC,3/8-16 X 4.5.....87	SEAL KIT,MICO.....73-74
RETAINING RING.....125	SCREW,HHC,5/16-18 X 1 GR5.....17, 67, 81	SEAL KIT,MOTOR TURNTABLE***.....74
RING GEAR,DEUTZ F3 & F4L1011*.....55	SCREW,HHC,5/8-11 X 1.75 GRD.8.....35, 51, 55, 67, 89	SEAL KIT,REDUCER DRIVE TURNTAB.....73-74
RING GEAR,DEUTZ F3 & F4L1011F*.....55	SCREW,HHC,5/8-11 X 2.25 GR8.....73-74	SEAL KIT,SAUER-DANFOSS M46***.....23, 49, 55
RING GEAR,DEUTZ F3L2011F.....55	SCREW,HHC,5/8-11 X 3.5 GRD.8.....89, 93	SEAL KIT,SOLENOID VALVE.....23, 41
RIVET,ALUM,ALUM,3/16BUTTONHEAD....121	SCREW,HHC,M10 X 25MM,GR 8.8.....51	SEAL KIT,SWIVEL (44369).....73-74
RIVET,ALUM,ALUM,P,.25X.375.....81	SCREW,HHC,M10 X 30MM,.....55, 57	SEAL KIT,TORQUE HUB (S07).....73-74
RIVET,STEEL,P,.25 X .375.....121	SCREW,HHC,M14 X 55.....53	SEAL KIT,UNIVERSAL,9K ROTATOR*.....99-100
ROCKER ASSY,HANDLE (20424)***.....113	SCREW,HHC,M6 X 20MM,GR8.8.....57	SEAL KIT- COUPLER (75665).....73-74
ROD END,.375 X 2.25,ZAG.....13, 15, 33	SCREW,HHC,M8 X 100.....53	SEAL, GASKET, .0005" *SILVER*.....125
ROD END,.375X3.69,ZAG.....87, 89, 91, 99-100	SCREW,HHC,M8 X 20MM.....47, 53, 57	SEAL, GASKET, .00075" *GOLD*.....125
ROD END,.5 X 3.75,ZAG.....13, 15, 33, 87, 89, 91	SCREW,HHC,M8 X 30MM,GRD 8.8.....47	SEAL, GASKET, .0010".....125
ROTATION LOCK RETAINER PIN ASY.....73-74	SCREW,HHC,M8 X 40.....47	SEAL, GREASE.....17
ROTATOR ASSEMBLY KIT Z60.....99-100	SCREW,HHC,M8 X 60MM X 1.25.....47, 53	SEAL,RETAINING RING.....125
ROTATOR ASSEMBLY.....99-100	SCREW,PHIL,10-24 X .75.....107	SEAL,SHAFT.....73-74, 125
RUBBER FLAP.....133	SCREW,PHIL,PHM,10-32 X .5,SSTL.....77, 79, 109	SEAL,SHAFT-SUNDSTRAND***.....49, 55
RUBBER WIPER,BOTTOM.....133	SCREW,PHILLIPS,PHM,10-32 X .5.....119	SENDING UNIT,OIL PRESSURE***.....47
RUBBER WIPER,SIDE.....133	SCREW,PHILLIPS,PHM,10-32 X .75.....119	SENDING UNIT,OIL TEMP.....57
RUBBER WIPER,TOP.....133	SCREW,PHILLIPS,PHM,6-32 X .5.....109	SENDING UNIT,TMP,FRD,GM,PRK704.....47
	SCREW,PHM,8-32X.38,SELF TAP.....51	SENDING UNIT-H20TMP LRG425EFI*.....47
	SCREW,RHM,10-32 X 1.5.....87, 89, 95, 97	SENSOR, CRANK POSITION.....47
	SCREW,RHM,6-32 X .75.....109	SENSOR,AIR TEMP,LRG-425 EFI***.....47
	SCREW,RHM,8-32 X .75.....15, 33	SENSOR,CAM,EFI***.....47
	SCREW,SHC,1/2-13 X 1.50,A574.....73-74	SENSOR,COOLANT TEMP*.....47
	SCREW,SHC,1/4-20 X 2.....19	SENSOR,LEVEL 4.5***.....67
	SCREW,SHC,10-24 X 2.....19, 69-70	SENSOR,LEVEL,4.5 DEG.....67
	SCREW,SHC,10-24 X 4.....69-70	SENSOR,O2,LRG 425 EFI***.....49
	SCREW,SHC,5/8-11 X 1.75.....35	SERIAL # LABEL,MYLAR 4X8***.....11
	SCREW,SHC,5/8-11 X 2.25.....17, 73-74	SHAFT & HOUSING ASSY.....117
	SCREW,SHC,5/8-11 X 3.00,A574.....23, 41	SHAFT (53073)***.....117
	SCREW,SHC,5/8-11 X 4,A574.....51, 53, 73-74	SHAFT W/GEAR.....115
	SCREW,STEP BOLT,1/4-20 X .75.....105	SHAFT,M46 15 TOOTH.....49, 55
	SCREWDRIVER,TERMINAL BLOCK...79, 109	SHAFT,MOTOR.....125
	SCRUBBER MUFFLER,DEUTZ,F4L1011.....55	SHAFT,OUTPUT,PINION,TURNTABLE.....73-74
	SEAL KIT (28833).....35	SHAFT,W/NF STYL BLOCK,(20424)*.....113
	SEAL KIT CYL.S/Z60(63216).....15, 33	SHIM,OSCILLATING AXLE.....15, 33
	SEAL KIT CYL.Z60(63203).....95	SHIM,PRIMARY BOOM,.064 THK.....95
	SEAL KIT CYL.Z60(63207).....91	SHIM,WEAR PAD,5 X 1.5,14GA.....95
	SEAL KIT CYL.Z60(63212).....99-100	SHIM,WEAR PAD,5X 1.5 16GA.....95
	SEAL KIT CYL.Z60(63214).....99-100	SHOCK MOUNT,SMALL.....51
	SEAL KIT, AUSCO (73918).....73-74	SHROUD, FORD RADIATOR, BLUE.....51
	SEAL KIT, 58958 SWING MOTOR.....74	SHROUD,RADIATOR LRG 423 BLUE**.....51
	SEAL KIT, AUSCO BRAKE***.....41	SHUTDOWN SOLENOID,12V, DEUTZ.....57
	SEAL KIT, EDC.....49, 55	SLEEVE,NYLON,2.19 ID,BULK.....107
	SEAL KIT, MOTOR(28833).....35	SLIDING MIDRAIL KIT,PTD.....107
	SEAL KIT, SUNSTRAND.....23, 41	SNAP PIN.....121
	SEAL KIT, VALVE.....21	SNAP RING,EXTERNAL,1.25,ZAG.....95
	SEAL KIT, VALVE, #10.....21	SOLENOID CABLE ASSY***.....57
	SEAL KIT, VALVE, #4.....23, 41, 69-70	Solenoid Valve - N.C. 2 position 2way.....69-70
	SEAL KIT,2.5" BORE,1.5" ROD***.....13, 15, 33	SOLENOID VALVE,N.C. 2POS. 3WAY.....67
	SEAL KIT,25212,25217,25372,S60.....95	SOLENOID,12V CONTINUOUS.....79
	SEAL KIT,8K ROTATOR***.....99-100	SOLENOID,12V CONTINUOUS***.....79, 129
	SEAL KIT,BRAKE,MICO.....23, 41	SOLENOID,THROTTLE,.....57
	SEAL KIT,BRAKE,TURNTABLE ROT**.....73-74	SOLENOID-STARTR DEUTZF4L1011F*.....53
		SPACER.....125
		SPACER,FAN TO WATERPUMP LRG423.....47

S

SADDLE BRCKT40613,34419,53073*.....117
 SADDLES-SET(24493,40613,53073)*.....117
 SCR,M 10X40 LG HEX FLG. SERR.....49
 SCREW T-SWITCH PH/PH 6-32X1/4.....111
 SCREW, HCC, 3/8-16 X 1.50.....51, 91, 99-100
 SCREW,FHM,10-32 X 1.5.....47
 SCREW,FHS,3/8-16 X 1.....15, 33
 SCREW,FHS,3/8-16 X 1.75.....93
 SCREW,HEX,M4X0.7X10MM (20424)*.....113
 SCREW,HEX,M4X0.7X30MM (20424)*.....113
 SCREW,HHC,1-8 X 11,GRD 5***.....105
 SCREW,HHC,1/2-13 X 1.25 GR5.....13, 15, 23, 33, 41, 87, 89, 91
 SCREW,HHC,1/2-13 X 1.5.....49, 55
 SCREW,HHC,1/2-13 X 2 GR5.....51
 SCREW,HHC,1/2-13 X 3.5.....15, 33, 93
 SCREW,HHC,1/2-13 X 5.5.....23, 41
 SCREW,HHC,1/2-13 X.75.....73-74
 SCREW,HHC,1/4-20 X .5.....15, 33, 91
 SCREW,HHC,1/4-20 X .625.....79, 87, 97, 111
 SCREW,HHC,1/4-20 X .75.....17, 23, 35, 41, 49, 51, 55, 57, 59, 61, 67, 77, 79, 93, 105, 107, 111, 121, 129
 SCREW,HHC,1/4-20 X 1.....49, 51, 57, 79, 81, 87, 89, 95, 97
 SCREW,HHC,1/4-20 X 1.25.....47, 107, 133
 SCREW,HHC,1/4-20 X 1.5.....81, 99-100, 121, 133
 SCREW,HHC,1/4-20 X 2.....121, 125
 SCREW,HHC,1/4-20 X 2.25.....95
 SCREW,HHC,1/4-20 X 3.25.....23
 SCREW,HHC,1/4-20 X 3.5.....41
 SCREW,HHC,3/8-16 X .75.....95, 97
 SCREW,HHC,3/8-16 X .88,GRD 8.....13, 15, 33

WASHER,FLAT,USS,5/16",Y.....13, 15, 19, 33,
37, 49, 59, 61, 63, 65, 67, 73-74, 81, 87, 97,
107, 125, 133
WASHER,FLAT,USS,5/8",Y.....121
WASHER,LOCK,#10 PLTD.....15, 19, 33, 69-
70, 89, 107
WASHER,LOCK,.25.....15, 17, 23, 33, 35, 41,
49, 51, 55, 57, 77, 79, 87, 89, 91, 93, 95, 97,
105, 107, 111, 121
WASHER,LOCK,.313.....47, 55, 57, 67
WASHER,LOCK,.375.....13, 15, 19, 33, 37, 49,
51, 55, 67, 73-74, 81, 93, 95, 97, 133
WASHER,LOCK,.625 PLTD.....51, 55, 121
WASHER,LOCK,0.5".....13, 15, 23, 33, 41, 49,
55, 73-74, 87, 89, 91
WASHER,LOCK,M10.....55, 57
WASHER,LOCK,M14.....53
WASHER,REDUCING 3/4" TO 1/2".....109
WASHER,SHIM,1.27 X 2.13 X .062.....95, 99-
100
WASHER,THRUST,2.56 X 4.0 X.18.....13, 15,
33
W A S H E R , T H R U S T - T O R Q U E
HUB-29231.....23, 35, 41
WEAR PAD, BOOM REST.....93
WEAR PAD, LIMIT SWITCH CAM.....95
WEAR PAD,4X2X.5 W/INSERT***.....93
WEAR PAD,5 X 1.5 X .50 W/NUTS.....95
WEAR PAD,5 X 1.5 X .625 W/NUTS.....95
WEAR PAD,5X1.5X1 W/INSERTS.....93
WEAR PAD,6.5 X 5 X.625 W/INER.....95
WEAR PAD,OSCILLATING AXLE, S60.....15,
33
WELDING CABLE,#4 EXCELENE/BLK.....67
Weldment - Engine Tray.....53
WELDMNT PLATE ENGINE TANK.....51
WELDMNT W/DECALS,6FT,500LB CE....105
WELDMNT W/DECALS,8FT,500LB CE....105
WELDMNT, CYLINDER MOUNTING.....89
WELDMNT, SWIVEL LOCK.....73-74
WELDMNT,AIR INTAKE TUBE,BLUE.....53
WELDMNT,BULKHEAD,LEFT SIDE.....81
WELDMNT,BULKHEAD,RT SIDE.....81
WELDMNT,DEUTZ ENGINE MOUNT.....53
WELDMNT,HEAT SHIELD PAINTED.....53
WELDMNT,RADIATOR MOUNT LRG423...51
WELDMNT,RH,ENGINE MOUNT.....51
WELDMNT,SWIVEL LOCK.....73-74
WELDMNT,TT COVER SUPPORT,RH....49
WELDMNT,6 FT PLATFORM.....105
WELDMNT,DEUTZ ENGINE MOUNT.....53
WHEEL,19.5 X 11.75***.....17, 23, 35, 41
WIRE CABLE,12/3 CON.TPE JKT.....79, 109
WIRE CABLE,14/3 CON.TPE JKT*.....67, 79,
109
WIRE CABLE,16/2 SJO,BULK.....79
WIRE CABLE,16/4 CON.TPE JKT.....79, 109,
119
WIRE CABLE,18/19 CON.TPRJKT.....79, 109
WIRE LOOM,3/8 POLY SLIT.....107
WIRING DUCT, 1.5 X 1.5.....79
WELDMNT,HYD.TANK MODULE PLATE**.....67
WELDMNT,HYDRAULIC TANK MODULE.....67
WORKLIGHT,48 VOLT.....121

Y

YOKE ASSY 2/4WD,L.S.,Z60.....13, 15, 33
YOKE ASSY 2/4WD,R.S.,Z60.....13, 15, 33

Z

Z60 2000W HYD GENERATOR.....125
Z60 2500W,220/50H GENERATOR.....125
Z60 3000W HYD GENERATOR.....125
Z60 AIRLINE TO PLATFORM.....123
Z60 ALARM PACKAGE.....119
Z60 DLX, HOSTILE ENVIRONMENT.....131
Z60 HOSTILE ENVIRONMENT DEUTZ.....131
Z60 HOSTILE ENVIRONMENT FORD.....131
Z60 STD.HOSTILE ENVIRONMENT PKG.....131
Z60 UPPER SECONDARY BOOM ASSY.....89
ZERK,GREASE,1/8 NPT.....81

Fitting Cross References

Genie PN	Parker PN	Description	Genie PN	Parker PN	Description
12342	6-4 F5OX-S	CONNECTOR,STRAIGHT THREAD TO FLARE TUBE	42794	1 CR-S	ELBOW,90°,MALE PIPE
13757	4 R6X-S	RUN TEE,SWIVEL NUT,ORFS	42795	BV-0839	BALL VALVE
19685	12-10 C5OX-S	ELBOW,90°,STRAIGHT THREAD TO FLARE TUBE	42796	BV-0838	BALL VALVE
22664	12-10 C5OX	ELBOW,90°,STRAIGHT THREAD TO FLARE TUBE	42874	6-8 CLO-S	ELBOW,90°,MALE PIPE TO ORFS
27431	8-12 F5OX-S	CONNECTOR,STRAIGHT THREAD TO FLARE TUBE	42912	13943-6-4	HOSE END,90° FEMALE SWIVEL,JIC
28678	AS-B-33	SLEEVE,NYLON,1.81" ID	42920	BV-0840	BALL VALVE,90°
39871	6 WETX-WLN-S	UNION,90° BULKHEAD W/NUT,FLARE TUBE	42932	AS-B-17	SLEEVE,NYLON,1.22" ID
39872	4 R5OX-S	RUN TEE,STRAIGHT THREAD	42936	10243-2-4	HOSE END,FEMALE PIPE
39873	6 C5OX-S	ELBOW,90°,STRAIGHT THREAD TO FLARE TUBE	42953	1/2 DD-S	ELBOW,90°,FEMALE PIPE
39874	8-6 C5OX-S	ELBOW,90°,STRAIGHT THREAD TO FLARE TUBE	42956	6 WELO-WLNL-S	UNION,90° BULKHEAD W/NUT,ORFS
39875	4-6 C5OX-S	ELBOW,90°,STRAIGHT THREAD TO FLARE TUBE	45349	8 V5OX-S	ELBOW,45°,STRAIGHT THREAD TO FLARE TUBE
39876	6-8 C5OX-S	ELBOW,90°,STRAIGHT THREAD TO FLARE TUBE	45351	4 V5OX-S	ELBOW,45°,STRAIGHT THREAD TO FLARE TUBE
39877	4 F5OX-S	CONNECTOR,STRAIGHT THREAD TO FLARE TUBE	47223	10343-6-6	HOSE END,MALE,JIC
39878	6 F5OX-S	CONNECTOR,STRAIGHT THREAD TO FLARE TUBE	47419	PS690503-6-6	SWIVEL,90°,STRAIGHT THREAD TO 37° FLARE
39879	4-8 F5OX-S	CONNECTOR,STRAIGHT THREAD TO FLARE TUBE	48750	421-4	HOSE,1/4 INCH ID
39880	6-10 F5OX-S	CONNECTOR,STRAIGHT THREAD TO FLARE TUBE	48751	481TC-4	HOSE,1/4 INCH ID
39881	4-6 F5OX-S	CONNECTOR,STRAIGHT THREAD TO FLARE TUBE	48752	482TC-4	HOSE,1/4 INCH ID
39882	4-HP5ON-S	PLUG,STRAIGHT THREAD	48753	451TC-6	HOSE,3/8 INCH ID
39883	8-8 FTX-S	CONNECTOR,MALE PIPE TO FLARE TUBE	48754	482TC-6	HOSE,3/8 INCH ID
39885	269HB 12-12	ELBOW,90°,BEADED HOSE BARB TO MALE PIPE	48755	381-6	HOSE,3/8 INCH ID
39886	431-6	HOSE,3/8 INCH ID	48756	451TC-8	HOSE,1/2 INCH ID
39887	540N-2	HOSE,1/8 INCH ID	48757	482TC-8	HOSE,1/2 INCH ID
39888	801-8	HOSE,1/2 INCH ID	48758	381-8	HOSE,1/2 INCH ID
39889	801-12	HOSE,3/4 INCH ID	48759	381-10	HOSE,5/8 INCH ID
39890	10643-6-6	HOSE END,FEMALE SWIVEL,JIC	48760	451TC-10	HOSE,5/8 INCH ID
39891	13943-6-6	HOSE END,90° FEMALE SWIVEL,JIC	48761	482TC-12	HOSE,3/4 INCH ID
39892	13743-6-6	HOSE END,45° FEMALE SWIVEL,JIC	48762	451TC-12	HOSE,3/4 INCH ID
39894	30682-8-8	HOSE END,FEMALE SWIVEL,JIC	48763	772-12	HOSE,3/4 INCH ID
39895	30682-10-12	HOSE END,FEMALE SWIVEL,JIC	48764	881-16	HOSE,1 INCH ID
42286	8-8 CTX-S	ELBOW,90°,MALE PIPE TO FLARE TUBE	48765	772-16	HOSE,1 INCH ID
42756	8-12 CLO-S	ELBOW,90,MALE PIPE TO ORFS	48766	AS-B-15	SLEEVE,NYLON,1.06" ID
42757	8-12 FLO-S	CONNECTOR,MALE PIPE TO ORFS	48767	AS-B-22	SLEEVE,NYLON,1.42" ID
42758	4 JLO-S	UNION TEE,ORFS	48770	881-8	HOSE,1/2 INCH ID
42759	4-4 FLO-S	CONNECTOR,MALE PIPE TO ORFS			
42760	6-8 FLO-S	CONNECTOR,MALE PIPE TO ORFS			
42761	1J143-6-4	HOSE END,90° FEMALE SWIVEL,SEAL LOK			
42762	1J743-6-4	HOSE END,45° FEMALE SWIVEL,SEAL LOK			
42768	1JO43-4-4	HOSE END,MALE,SEAL LOK			
42776	601-8	HOSE,1/2 INCH ID			
42777	1J743-16-16	HOSE END,45° FEMALE SWIVEL,SEAL LOK			
42786	16 CLO-S	ELBOW,90°,MALE PIPE TO ORFS			
42787	16 R6LO-S	RUN TEE,SWIVEL NUT,ORFS			
42788	16-8 TRLO-BL-S	REDUCER,TUBE END TO SWIVEL,ORFS			
42789	6-6 CLO-S	ELBOW,90°,MALE PIPE TO ORFS			
42790	8-10 V5OLO-S	ELBOW,45°,STRAIGHT THREAD TO ORFS			
42791	3/4 CD-S	ELBOW,90°,MALE TO FEMALE PIPE			
42792	3/4 X 1/2 PTR-S	REDUCER,MALE TO FEMALE PIPE			
42793	1/2 CR-S	ELBOW,90°,MALE PIPE			

Fitting Cross References (Continued)

Genie PN	Parker PN	Description	Genie PN	Parker PN	Description
48771	881-10	HOSE,5/8 INCH ID	48847	13943-12-12	HOSE END,90° FEMALE SWIVEL,JIC
48772	381-4	HOSE,1/4 INCH ID	48848	10543-12-12	HOSE END,MALE,STRAIGHT THREAD
48773	AS-B-13	SLEEVE,NYLON,.86" ID	48849	1JC71-12-12	HOSE END,FEMALE SWIVEL,SEAL LOK
48800	1JC43-4-4	HOSE END,FEMALE SWIVEL,SEAL LOK	48850	1JS71-12-12	HOSE END,FEMALE SWIVEL,SEAL LOK
48801	1J743-4-4	HOSE END,45° FEMALE SWIVEL,SEAL LOK	48851	1J171-12-12	HOSE END,90° FEMALE SWIVEL,SEAL LOK
48802	1J943-4-4	HOSE END,90° FEMALE SWIVEL,SEAL LOK	48852	1J771-12-12	HOSE END,45° FEMALE SWIVEL,SEAL LOK
48804	1JM43-4-4	HOSE END,MALE,SEAL LOK, NO O-RING	48853	1J971-12-12	HOSE END,90° FEMALE SWIVEL,SEAL LOK
48805	10643-4-4	HOSE END,FEMALE SWIVEL,JIC	48854	1JC43-16-16	HOSE END,FEMALE SWIVEL,SEAL LOK
48806	13943-4-4	HOSE END,90° FEMALE SWIVEL,JIC	48855	1J943-16-16	HOSE END,90° FEMALE SWIVEL,SEAL LOK
48807	1JS43-4-4	HOSE END,FEMALE SWIVEL,SEAL LOK	48856	1J171-16-16	HOSE END,90° FEMALE SWIVEL,SEAL LOK
48808	3JC82-8-8	HOSE END,FEMALE SWIVEL,SEAL LOK	48857	1J971-16-16	HOSE END,90° FEMALE SWIVEL,SEAL LOK
48809	3JC82-12-12	HOSE END,FEMALE SWIVEL,SEAL LOK	48859	1JS43-8-4	HOSE END,FEMALE SWIVEL,SEAL LOK
48810	1JC43-6-4	HOSE END,FEMALE SWIVEL,SEAL LOK	48867	PD36BTL	DIAGNOSTIC NIPPLE,SEAL-LOK SWIVEL
48811	1J943-6-4	HOSE END,90° FEMALE SWIVEL,SEAL LOK	48873	6 PNLO-S	PLUG,TUBE END,ORFS
48812	1JC43-6-6	HOSE END,FEMALE SWIVEL,SEAL LOK	48874	6 PNTX-S	PLUG,FLARE TUBE
48813	1J143-6-6	HOSE END,90° FEMALE SWIVEL,SEAL LOK	48875	6 R6LO-S	RUN TEE,SWIVEL NUT,ORFS
48814	1J543-6-6	HOSE END,90° FEMALE SWIVEL,SEAL LOK	48877	4 F5OLO-SW/.025	CONNECTOR,STRAIGHT THREAD TO ORFS, W/.025 ORI
48815	1J743-6-6	HOSE END,45° FEMALE SWIVEL,SEAL LOK	48878	16-12 C5OLO-S	ELBOW,90°,STRAIGHT THREAD TO ORFS
48816	1J943-6-6	HOSE END,90° FEMALE SWIVEL,SEAL LOK	48879	8 C6LO-S	ELBOW,90°,SWIVEL NUT ORFS
48817	1JS43-6-8	HOSE END,FEMALE SWIVEL,SEAL LOK	48880	PD6-285	CAP,DIAGNOSTIC NIPPLE
48818	1J943-8-4	HOSE END,90° FEMALE SWIVEL,SEAL LOK	48881	6 HLO-S	UNION,ORFS
48819	1JC43-8-6	HOSE END,FEMALE SWIVEL,SEAL LOK	48883	8 P5ON-S	PLUG,STRAIGHT THREAD
48820	1J743-8-6	HOSE END,45° FEMALE SWIVEL,SEAL LOK	48884	8M18F87OMLO-S	CONNECTOR,METRIC,STRAIGHT THREAD TO ORFS
48821	1J943-8-6	HOSE END,90° FEMALE SWIVEL,SEAL LOK	48885	4 WGTX-WLN-S	CONNECTOR,BULKHEAD,FEMALE PIPE TO FLARE TUBE
48822	1JC43-8-8	HOSE END,FEMALE SWIVEL,SEAL LOK	48886	4 F5OLO-SW/2MM	CONNECTOR,MACHINED STRAIGHT THREAD TO ORFS
48823	1JS43-8-8	HOSE END,FEMALE SWIVEL,SEAL LOK	48887	4 CTX-S	ELBOW,90°,MALE PIPE TO FLARE TUBE
48824	1J143-8-8	HOSE END,90° FEMALE SWIVEL,SEAL LOK	48888	10-12 V5OLO-S	ELBOW,45°,STRAIGHT THREAD TO ORFS
48825	1J543-8-8	HOSE END,90° FEMALE SWIVEL,SEAL LOK	48890	4 S5OLO-S	BRANCH TEE,STRAIGHT THREAD TO ORFS
48826	1J743-8-8	HOSE END,45° FEMALE SWIVEL,SEAL LOK	48891	4 S6LO-S	BRANCH TEE,SWIVEL NUT TO ORFS
48827	1J943-8-8	HOSE END,90° FEMALE SWIVEL,SEAL LOK			
48828	1JC43-10-8	HOSE END,FEMALE SWIVEL,SEAL LOK			
48829	1JS43-10-8	HOSE END,FEMALE SWIVEL,SEAL LOK			
48830	1J743-10-8	HOSE END,45° FEMALE SWIVEL,SEAL LOK			
48831	1J943-10-8	HOSE END,90° FEMALE SWIVEL,SEAL LOK			
48833	1JC43-10-10	HOSE END,FEMALE SWIVEL,SEAL LOK			
48834	1J943-10-10	HOSE END,90° FEMALE SWIVEL,SEAL LOK			
48835	1JS43-10-12	HOSE END,FEMALE SWIVEL,SEAL LOK			
48836	1JC43-12-8	HOSE END,FEMALE SWIVEL,SEAL LOK			
48837	1JS43-12-8	HOSE END,FEMALE SWIVEL,SEAL LOK			
48838	1J743-12-8	HOSE END,45° FEMALE SWIVEL,SEAL LOK			
48839	1J943-12-8	HOSE END,90° FEMALE SWIVEL,SEAL LOK			
48840	1J943-12-10	HOSE END,90° FEMALE SWIVEL,SEAL LOK			
48841	1JC43-12-12	HOSE END,FEMALE SWIVEL,SEAL LOK			
48842	1JO43-12-12	HOSE END,MALE,SEAL LOK			
48843	1J143-12-12	HOSE END,90° FEMALE SWIVEL,SEAL LOK			
48844	1J543-12-12	HOSE END,90° FEMALE SWIVEL,SEAL LOK			
48845	1J743-12-12	HOSE END,45° FEMALE SWIVEL,SEAL LOK			
48846	1J943-12-12	HOSE END,90° FEMALE SWIVEL,SEAL LOK			

Fitting Cross References (Continued)

Genie PN	Parker PN	Description	Genie PN	Parker PN	Description
48892	6 C6LO-S	ELBOW,90°,SWIVEL NUT ORFS	48938	8 R6LO-S	RUN TEE,SWIVEL NUT,ORFS
48893	6 F5OHAO-S	UNION,STRAIGHT THREAD	48939	8 S6LO-S	BRANCH TEE,SWIVEL NUT TO ORFS
48894	8 WLO-WLNL-S	UNION,BULKHEAD,ORFS	48940	8 WJLO-WLNL-S	RUN TEE, BULKHEAD,ORFS
48895	DT-370-MSMO-5	VALVE,CHECK	48941	8-4 TRLO-S	REDUCER,TUBE END TO SWIVEL,ORFS
48896	6 JLO-S	UNION,TEE,ORFS	48942	8-6 C5OLO-S	ELBOW,90°,STRAIGHT THREAD TO ORFS
48897	DT-750-MSMS-5	VALVE,CHECK	48943	8-6 F5OLO-S	CONNECTOR,STRAIGHT THREAD TO ORFS
48898	DT-750-MOMS-5	VALVE,CHECK	48944	8-8 FLO-S	CONNECTOR,MALE PIPE TO ORFS
48899	DT-620-MOMS-5	VALVE,CHECK	48945	8 FTX-S	CONNECTOR,MALE PIPE TO FLARE TUBE
48900	4-6 F5OLO-SW/.035	CONNECTOR,STRAIGHT THREAD TO ORFS, W/.035 ORI	48946	8-10 F5OLO-S	CONNECTOR,STRAIGHT THREAD TO ORFS
48902	16-1 AOE4G-S	ELBOW,90° LONG,FEMALE PIPE TO STRAIGHT THREAD	48947	8-12 C5OLO-S	ELBOW,90°,STRAIGHT THREAD TO ORFS
48903	1 FF-S	NIPPLE,PIPE	48948	8-12 F5OLO-S	CONNECTOR,STRAIGHT THREAD TO ORFS
48904	4 C5OLO-S	ELBOW,90°,STRAIGHT THREAD TO ORFS	48949	8-16 F5OLO-S	CONNECTOR,STRAIGHT THREAD TO ORFS
48905	4 F5OLO-S	CONNECTOR,STRAIGHT THREAD TO ORFS	48950	10 C5OLO-S	ELBOW,90°,STRAIGHT THREAD TO ORFS
48906	4 R5OLO-S	RUN TEE,STRAIGHT THREAD	48951	10 CC5OLO-S	ELBOW,90° LONG,STRAIGHT THREAD TO ORFS
48907	4 V5OLO-S	ELBOW,45°,STRAIGHT THREAD TO ORFS	48952	10 F5OLO-S	CONNECTOR,STRAIGHT THREAD TO ORFS
48908	4 R6LO-S	RUN TEE,SWIVEL NUT,ORFS	48953	10 R5OLO-S	RUN TEE,STRAIGHT THREAD
48909	4 WJLO-WLNL-S	RUN TEE, BULKHEAD,ORFS	48954	10 S5OLO-S	BRANCH TEE,STRAIGHT THREAD TO ORFS
48910	4 GTX-S W/.030	CONNECTOR,FEMALE PIPE TO FLARE TUBE	48955	10 R6LO-S	RUN TEE,SWIVEL NUT,ORFS
48911	4-6 C5OLO-S	ELBOW,90°,STRAIGHT THREAD TO ORFS	48956	10-4 TRLO-BL-S	REDUCER,TUBE END TO SWIVEL,ORFS
48912	4-6 F5OLO-S	CONNECTOR,STRAIGHT THREAD TO ORFS	48957	10-6 TRLO-BL-S	REDUCER,TUBE END TO SWIVEL,ORFS
48913	4-6 F5OLO-SW/.030	CONNECTOR,STRAIGHT THREAD TO ORFS, W/.030 ORI	48958	10-12 F5OLO-S	CONNECTOR,STRAIGHT THREAD TO ORFS
48914	4-8 F5OLO-S	CONNECTOR,STRAIGHT THREAD TO ORFS	48959	12 C5OLO-S	ELBOW,90°,STRAIGHT THREAD TO ORFS
48915	6 C5OLO-S	ELBOW,90°,STRAIGHT THREAD TO ORFS	48960	12 F5OLO-S	CONNECTOR,STRAIGHT THREAD TO ORFS
48916	6 F5OLO-S	CONNECTOR,STRAIGHT THREAD TO ORFS	48961	12 R5OLO-S	RUN TEE,STRAIGHT THREAD
48917	6 FF5OLO-S	CONNECTOR,LONG,STRAIGHT THREAD TO ORFS	48962	12 S5OLO-S	BRANCH TEE,STRAIGHT THREAD TO ORFS
48918	6 R5OLO-S	RUN TEE,STRAIGHT THREAD	48963	12 V5OLO-S	ELBOW,45°,STRAIGHT THREAD TO ORFS
48919	6 S5OLO-S	BRANCH TEE,STRAIGHT THREAD TO ORFS	48964	12 R6LO-S	RUN TEE,SWIVEL NUT,ORFS
48920	6 V5OLO-S	ELBOW,45°,STRAIGHT THREAD TO ORFS	48965	12 CLO-S	ELBOW,90°,MALE PIPE TO ORFS
48921	6 FLO-S	CONNECTOR,MALE PIPE TO ORFS	48966	12 FLO-S	CONNECTOR,MALE PIPE TO ORFS
48922	6-6 FLO-S	CONNECTOR,MALE PIPE TO ORFS	48967	12 JLO-S	UNION TEE,ORFS
48923	6 P5ON-S	PLUG,STRAIGHT THREAD	48968	12 WLO-WLNL-S	UNION,BULKHEAD,ORFS
48925	6 WELO-S	UNION,90° BULKHEAD,ORFS	48969	12 WJLO-WLNL-S	RUN TEE, BULKHEAD,ORFS
48926	6-4 C5OLO-S	ELBOW,90°,STRAIGHT THREAD TO ORFS	48970	12 WELO-WLNL-S	UNION,90° BULKHEAD W/NUT,ORFS
48927	6-4 F5OLO-S	CONNECTOR,STRAIGHT THREAD TO ORFS			
48928	6-4 V5OLO-S	ELBOW,45°,STRAIGHT THREAD TO ORFS			
48929	6-8 C5OLO-S	ELBOW,90°,STRAIGHT THREAD TO ORFS			
48930	6-8 F5OLO-S	CONNECTOR,STRAIGHT THREAD TO ORFS			
48931	6-10 F5OLO-S	CONNECTOR,STRAIGHT THREAD TO ORFS			
48932	8 C5OLO-S	ELBOW,90°,STRAIGHT THREAD TO ORFS			
48933	8 F5OLO-S	CONNECTOR,STRAIGHT THREAD TO ORFS			
48934	8 FF5OLO-S	CONNECTOR,LONG,STRAIGHT THREAD TO ORFS			
48935	8 R5OLO-S	RUN TEE,STRAIGHT THREAD			
48936	8 S5OLO-S	BRANCH TEE,STRAIGHT THREAD TO ORFS			
48937	8 V5OLO-S	ELBOW,45°,STRAIGHT THREAD TO ORFS			

Fitting Cross References (Continued)

Genie PN	Parker PN	Description	Genie PN	Parker PN	Description
48971	12 G5G5JG5-S	TEE,FEMALE STRAIGHT THREAD	49612	PKT02586	O-RING KIT (ORFS FITTINGS)
48972	12 XHL6-S	ADAPTER, 37° MALE TO SWIVEL ORFS	49613	PKT06276	PLUG AND CAP KIT-SERVICE,ORFS
48973	12-1/2 F5OG-S	ADAPTER,FEMALE PIPE TO STRAIGHT THREAD	49728	10143-12-12	HOSE END, MALE PIPE
48974	12-10 C5OLO-S	ELBOW,90°,STRAIGHT THREAD TO ORFS	49729	16-1 F5OG-S	ADAPTER,FEMALE PIPE TO STRAIGHT THREAD
48975	12-10 F5OLO-S	CONNECTOR,STRAIGHT THREAD TO ORFS	49814	12-8 FLO-S	CONNECTOR,MALE PIPE TO ORFS
48976	12-16 C5OLO-S	ELBOW,90°,STRAIGHT THREAD TO ORFS	49829	DT-500-MOMF-5	VALVE,CHECK
48977	12-16 F5OLO-S	CONNECTOR,STRAIGHT THREAD TO ORFS	49831	881-12	HOSE,3/4 INCH ID
48978	12-16 V5OLO-S	ELBOW,45°,STRAIGHT THREAD TO ORFS	49834	16 JLO-S	UNION TEE,ORFS
48980	12-16 FLO-S	CONNECTOR,MALE PIPE TO ORFS	49838	12-8 TRLO-BL-S	REDUCER,TUBE END TO SWIVEL,ORFS
48983	16 C5OLO-S	ELBOW,90°,STRAIGHT THREAD TO ORFS	49840	8 JLO-S	UNION TEE,ORFS
48984	16 F5OLO-S	CONNECTOR,STRAIGHT THREAD TO ORFS	49844	10-8 TRLO-BL-S	REDUCER,TUBE END TO SWIVEL,ORFS
48985	16 V5OLO-S	ELBOW,45°,STRAIGHT THREAD TO ORFS	49854	8 P5ON-S	PLUG,STRAIGHT THREAD
48986	16 FLO-S	CONNECTOR,MALE PIPE TO ORFS	49855	1JC43-16-12	HOSE END,FEMALE SWIVEL,SEAL LOK
48988	16 CD45-S	ELBOW,45°,MALE TO FEMALE PIPE	49859	4 P5ON-S	PLUG,STRAIGHT THREAD
48989	12 CD45-S	ELBOW,45°,MALE TO FEMALE PIPE	49861	4 FF5OLO-S	CONNECTOR,LONG,STRAIGHT THREAD TO ORFS
48990	8 CD45-S	ELBOW,45°,MALE TO FEMALE PIPE	49867	12-3/4 F5OG-S	ADAPTER,FEMALE PIPE TO STRAIGHT THREAD
48991	16-12 FLO-S	CONNECTOR,MALE PIPE TO ORFS	51152	6 R6X-S	RUN TEE,SWIVEL NUT,ORFS
48992	16-12 V5OLO-S	ELBOW,45°,STRAIGHT THREAD TO ORFS	51153	6-4 TRTX-S	REDUCER,TUBE END TO SWIVEL,ORFS
48993	XV501-12	BALL VALVE	51154	4-4 GTX	CONNECTOR,FEMALE PIPE TO FLARE TUBE
48994	XV501-16	BALL VALVE	51264	881-12	HOSE,3/4 INCH ID
48995	XV510P-12	BALL VALVE	51265	8 JLO-S	UNION TEE,ORFS
48996	XV510P-16	BALL VALVE	51508	6 BTX-S	NUT,FLARE TUBE
48997	PD341	DIAGNOSTIC NIPPLE, STRAIGHT THREAD	51580	12-8 TRLO-BL-S	TUBE END REDUCER,ORFS
48998	PD 361	DIAGNOSTIC NIPPLE, STRAIGHT THREAD	51628	6 R6X-S	RUN TEE,SWIVEL NUT,ORFS
48999	DT-500-MOMS-5	VALVE,CHECK	51735	3/8 HHP	PLUG,PIPE THREAD
49201	10 V5OLO-S	ELBOW,45°,STRAIGHT THREAD TO ORFS	51803	1J943-6-8	HOSE END,90° FEMALE SWIVEL,SEAL LOK
49202	1JC43-12-10	HOSE END,FEMALE SWIVEL,SEAL LOK	53023	125HBL-5-4	FITTING,HOSE BARB TO MALE PIPE
49203	10-8 V5OLO-S	ELBOW,45°,STRAIGHT THREAD TO ORFS	53497	PKT02585	O-RING KIT
49205	6 F5OHAO-S	UNION,STRAIGHT THREAD	53499	1JC71-16-16	HOSE END,FEMALE SWIVEL,SEAL LOK
49207	PD34BTL	DIAGNOSTIC NIPPLE,SEAL-LOK SWIVEL	53500	3-904	O-RING,STRAIGHT THREAD,-4
49209	8M18F870MX-S	CONNECTOR,METRIC,STRAIGHT THREAD TO FLARE TUBE	53501	3-906	O-RING,STRAIGHT THREAD,-6
49212	8 WGTX-WLN-S	CONNECTOR,BULKHEAD,FEMALE PIPE TO FLARE TUBE	53502	3-908	O-RING,STRAIGHT THREAD,-8
49213	30682-8-8	HOSE END,FEMALE SWIVEL,JIC	53503	3-910	O-RING,STRAIGHT THREAD,-10
49216	831-8	HOSE,1/2 INCH ID			
49217	33982-8-8	HOSE END,90° FEMALE SWIVEL,JIC			
49219	PS-B-35	SLEEVE,NYLON,2.19" ID			
49418	4-6 V5OLO-S	ELBOW,45°,STRAIGHT THREAD TO ORFS			
49511	DT370-MOMS-5	VALVE,CHECK			
49512	1 DD-S	ELBOW,90°,FEMALE PIPE			
49513	1 FF-S	NIPPLE,PIPE			
49514	10 HP5ON-S	PLUG,STRAIGHT THREAD			
49515	12-16 CLO-S	ELBOW,90°,MALE PIPE TO ORFS			
49517	6 HP5ON-S	PLUG,STRAIGHT THREAD			
49519	16-12 F5OLO-S	CONNECTOR,STRAIGHT THREAD TO ORFS			
49520	4 VTX-S	ELBOW,45°,MALE PIPE TO FLARE TUBE			
49530	16 C6LO-S	ELBOW,90°,SWIVEL NUT ORFS			

Fitting Cross References (Continued)

Genie PN	Parker PN	Description	Genie PN	Parker PN	Description
53535	3-912	O-RING,STRAIGHT THREAD,-12	61083	24 F5OLO-S	CONNECTOR,STRAIGHT THREAD TO ORFS
53536	4-PNLO-S	PLUG,TUBE END,ORFS	61086	20 R5OLO-S	RUN TEE,STRAIGHT THREAD
53537	6 PNLO-S	PLUG,TUBE END,ORFS	61090	24-20 F5OLO-S	CONNECTOR,STRAIGHT THREAD TO ORFS
53538	8 PNLO-S	PLUG,TUBE END,ORFS	61091	1J943-24-24	HOSE END,90° FEMALE SWIVEL,SEAL LOK
53539	10 PNLO-S	PLUG,TUBE END,ORFS	61093	1J978-12-12	HOSE END,90° FEMALE SWIVEL,JIC
53540	12 PNLO-S	PLUG,TUBE END,ORFS	61095	1JS43-20-16	HOSE END,FEMALE SWIVEL,SEAL LOK
53946	129HB-5-4	FITTING,90° HOSE BARB TO MALE PIPE	61100	811-24	HOSE,11/2 INCH ID
53951	8-1/4F50G-S	ADAPTER,FEMALE PIPE TO STRAIGHT THREAD	61130	1JS43-24-24	HOSE END,FEMALE SWIVEL,SEAL LOK
53980	6 S6LO-S	BRANCH TEE,SWIVEL NUT TO ORFS	61131	1JS78-12-12	HOSE END,FEMALE SWIVEL,SEAL LOK
54132	4 C6LO-S	ELBOW,90°,SWIVEL NUT ORFS	61132	1J778-12-12	HOSE END,45° FEMALE SWIVEL,JIC
54135	11343-16-16	HOSE END,MALE SWIVEL,PIPE	61152	139HB-6-4	ELBOW,45°,BARB TO MALE PIPE
54283	8-10 C5OLO-S	ELBOW,90°,STRAIGHT THREAD TO ORFS	61251	BV-0750	BALL VALVE
54428	8M18C870MLO-S	ELBOW, 90° METRIC, STRAIGHT THREAD TO ORFS	61259	4 CC5OLO-S	ELBOW,90° LONG,STRAIGHT THREAD TO ORFS
54803	FS-F-16-10	SLEEVE,FIRE,-96" ID	61260	20-12 TRLO-BL	REDUCER,TUBE END TO SWIVEL,ORFS
54954	10143-2-4	HOSE END, MALE PIPE	61262	12 C6LO-S	ELBOW,90°,SWIVEL NUT ORFS
55190	3/8 HP-S	PLUG,PIPE THREAD	61263	20 F5OHAO-S	UNION,STRAIGHT THREAD
55448	8 HLO-S	UNION,ORFS	61264	6-10 C5OLO-S	ELBOW,90°,STRAIGHT THREAD TO ORFS
55839	6 F65OX-S	CONNECTOR,STRAIGHT THREAD TO 37° SWIVEL	61265	6 WNLO-WLNL-S	UNION,BULKHEAD 45°,ORFS
55968	10 C5OX-S	ELBOW,90°,STRAIGHT THREAD TO FLARE TUBE	61268	4 WNLO-WLNL-S	UNION,BULKHEAD 45°,ORFS
56003	6 CC5OLO-S	ELBOW,90° LONG,STRAIGHT THREAD TO ORFS	61269	4 WLO-WLNL-S	UNION,BULKHEAD,ORFS
56166	BV-0837	BALL VALVE,90°	61272	12 AOEL6	ELBOW,90°,STRAIGHT THREAD TO ORFS SWIVEL
56188	10143-8-6	HOSE END, MALE PIPE	61316	482TC-16	HOSE,1 INCH ID
56233	2-011	O-RING,ORFS,-4	61321	6 JLO-S	UNION TEE,ORFS
56234	2-012	O-RING,ORFS,-6	61327	782-12	HOSE,3/4 INCH ID
56235	2-014	O-RING,ORFS,-8	61328	881-24	HOSE,11/2 INCH ID
56236	2-016	O-RING,ORFS,-10	61336	11943-20-24	HOSE END,90° FLANGE HEAD
56237	2-018	O-RING,ORFS,-12	61345	12 WJLO-WLNL-S	RUN TEE, BULKHEAD,ORFS
56238	2-021	O-RING,ORFS,-16	61346	8 WNLO-WLNL-S 4	UNION,BULKHEAD 45°,ORFS
56352	6 WLNL-S	LOCKNUT,BULKHEAD	61569	33782-8-8	HOSE END,45° FEMALE SWIVEL,JIC
56353	3J782-12-12	HOSE END,45° FEMALE SWIVEL,SEAL LOK	61610	12 FF5OLO-S	CONNECTOR,LONG,STRAIGHT THREAD TO ORFS
56354	3J982-12-12	HOSE END,90° FEMALE SWIVEL,SEAL LOK	61742	1/8 X 1.5 FFF	NIPPLE,PIPE
56604	10-8 F5OLO-S	CONNECTOR,STRAIGHT THREAD TO ORFS	63426	8 PNTX-S	PLUG,FLARE TUBE
56639	3JC82-10-10	HOSE END,FEMALE SWIVEL,SEAL LOK			
56640	3J982-10-10	HOSE END,90° FEMALE SWIVEL,SEAL LOK			
56655	3JC82-8-10	HOSE END,FEMALE SWIVEL,SEAL LOK			
56676	10-8 C5OLO-S	ELBOW,90°,STRAIGHT THREAD TO ORFS			
56776	471TC-6	HOSE,3/8 INCH ID			
56777	471TC-8	HOSE,1/2 INCH ID			
56789	811-16	HOSE,1 INCH ID			
57884	3/8 FF	NIPPLE,PIPE			
59335	6 FNL-S	CAP, TUBE END			
59342	4 FNL-S	CAP, TUBE END			
59371	8 HP5ON-S	PLUG,STRAIGHT THREAD			
60653	BV-0751	BALL VALVE			
60806	125HB-3-4	FITTING,HOSE BARB TO MALE PIPE			
61064	5-1/4 F50G-S	ADAPTER,FEMALE PIPE TO STRAIGHT THREAD			
61079	4 WELO-WLNL-S	UNION,90° BULKHEAD W/NUT,ORFS			
61080	6 WLO-WLNL-S	UNION,BULKHEAD,ORFS			

Fitting Cross References (Continued)

Genie PN	Parker PN	Description	Genie PN	Parker PN	Description
64271	4 WLO-WLNL-S	UNION,BULKHEAD,ORFS	75631	801-6	HOSE,3/8 INCH ID
64272	6 WLO-WLNL-S	UNION,BULKHEAD,ORFS	75654	20 F5OLO-S	CONNECTOR,STRAIGHT THREAD TO ORFS
65776	8 F65OL-S	CONNECTOR,STRAIGHT THREAD TO ORFS SWIVEL	75655	1J943-20-20	HOSE END,90° FEMALE SWIVEL,SEAL LOK
65880	6001012	O-RING KIT	75656	881-20	HOSE,1-1/4 INCH ID
66154	6 WTX-WLNS	UNION,BULKHEAD,FLARE TUBE	75971	8 F5OHAO-S	UNION,STRAIGHT THREAD
66155	6 WETX-S	UNION,BULKHEAD 90°,FLARE TUBE	77307	1JB43-8-8	HOSE END,BULKHEAD,SEAL LOK
66156	6 WLN-S	BULKHEAD LOCKNUT	77309	8 WLNL-S	BULKHEAD LOCKNUT
66389	6-8 F5OX-S	CONNECTOR,STRAIGHT THREAD TO FLARE TUBE	77379	8M18C87OMX-S	ELBOW,90° METRIC,STRAIGHT THREAD TO FLARE TUBE
66392	6 R5OX-S	RUN TEE,STRAIGHT THREAD	77703	3J982-8-8	HOSE END,90° FEMALE SWIVEL,SEAL LOK
66396	811-12	HOSE,3/4 INCH ID	77711	801-10	HOSE,5/8 INCH ID
66829	H3174PP	CLAMP,TUBE	77758	12 WNLO-WLNL-S	UNION,BULKHEAD 45°,ORFS
67217	4 KLO-S	UNION,CROSS,ORFS	78091	6 C6X-S	ELBOW,90°,SWIVEL NUT TO FLARE TUBE
67339	10-6 F5OX-S	CONNECTOR,STRAIGHT THREAD TO FLARE TUBE	78684	30582-8-8B	HOSE END,PUSH LOK,MALE
67357	13943-8-6	HOSE END,90° FEMALE SWIVEL,JIC	78852	549-2	HOSE,1/8 INCH ID
67358	10 HP5ON-S	PLUG,STRAIGHT THREAD	78855	10657-4-2	HOSE END,FEMALE SWIVEL,JIC
67371	12 S6LO-S	BRANCH TEE,SWIVEL NUT TO ORFS	79138	PS-B-37	SLEEVE,NYLON,2.38" ID
67498	4 FNL-S	CAP, TUBE END	79476	1JS43-6-8	HOSE END,FEMALE SWIVEL,SEAL LOK
67906	DC-370-F0F0-5	VALVE,CHECK	79847	12-3/4 A0EG-S	ELBOW,90°,STRAIGHT THREAD TO FEMALE PIPE
69316	8 FLO-S	CONNECTOR,MALE PIPE TO ORFS	80044	8 CLO-S	ELBOW,90°,MALE PIPE TO ORFS
69333	H3174PP	CLAMP,HYDRAULIC HOSE	80502	8 F5OX-S	CONNECTOR,STRAIGHT THREAD TO FLARE TUBE
69503	4 F65OX-S	CONNECTOR,STRAIGHT THREAD TO 37° SWIVEL	80503	8 C5OX-S	ELBOW,90°,STRAIGHT THREAD TO FLARE TUBE
69775	8 FNL-S	CAP, TUBE END	81010	AS-B-27	SLEEVE,NYLON,1.63" ID
71038	1/4X1/4F3HG-S	ADAPTER,CONVERSION	83052	821-6	HOSE,3/8 INCH ID
71196	12-8 F5OLO-S	CONNECTOR,STRAIGHT THREAD TO ORFS	83053	821-8	HOSE,1/2 INCH ID
71383	1/4 CD45-S	ELBOW,45°,MALE TO FEMALE PIPE	83054	821-12	HOSE,3/4 INCH ID
72270	12FNL-S	CAP, TUBE END	83055	30682-6-6	HOSE END,FEMALE SWIVEL,JIC
73436	60C-4	SLEEVE,COMPRESSION	83056	30682-12-12	HOSE END,FEMALE SWIVEL,JIC
73437	61C-4	NUT,COMPRESSION	83057	33782-6-6	HOSE END,45° FEMALE SWIVEL,JIC
73438	33482-4-4B	HOSE END,PUSH LOK,MALE	83058	33982-6-6	HOSE END,90° FEMALE SWIVEL,JIC
73767	1CD-S	ELBOW,90°,MALE TO FEMALE PIPE	83060	33982-12-12	HOSE END,90° FEMALE SWIVEL,JIC
73768	20-16-F5OG5-S	ADAPTER,FEMALE PIPE TO STRAIGHT THREAD	83063	13743-4-4	HOSE END,45° FEMALE SWIVEL,JIC
73769	16-20 F5OLO-S	CONNECTOR,STRAIGHT THREAD TO ORFS			
74660	6-8 F42EDMLO-S	CONNECTOR,MALE BSPP TO ORFS			
74661	8-8 F42EDMLO-S	CONNECTOR,MALE BSPP TO ORFS			
75007	4 FLO-S	CONNECTOR,MALE PIPE TO ORFS			
75008	1/8 HP-S	PLUG,PIPE THREAD			
75014	1/2 HP-S	PLUG,PIPE THREAD			
75042	8 WELO-WLNL-S	UNION,90° BULKHEAD W/NUT,ORFS			
75043	3/4 FF-S	NIPPLE,PIPE			
75254	24 F5OHAO-S	UNION,STRAIGHT THREAD			
75255	12 F5OHAO-S	UNION,STRAIGHT THREAD			
75256	XV506P-24	BALL VALVE			
75574	4 WLNL-S	BULKHEAD LOCKNUT			
75612	8 WJLO-WLNL-S	RUN TEE, BULKHEAD,ORFS			
75613	12-8 F5OG5-S	ADAPTER,FEMALE PIPE TO STRAIGHT THREAD			
75614	8 CC5OLO-S	ELBOW,90° LONG,STRAIGHT THREAD TO ORFS			
75628	1JB43-4-4	HOSE END,BULKHEAD,SEAL LOK			

Fitting Cross References (Continued)

Genie PN	Parker PN	Description	Genie PN	Parker PN	Description
83064	13743-8-8	HOSE END,45° FEMALE SWIVEL,JIC	89449	6 WJLO-WLNL-S	RUN TEE, BULKHEAD,ORFS
83065	13743-12-12	HOSE END,45° FEMALE SWIVEL,JIC	89489	4 WJMLO-S	BRANCH TEE,BULKHEAD,ORFS
83066	13943-8-8	HOSE END,90° FEMALE SWIVEL,JIC	89551	1JB43-6-6	HOSE END,BULKHEAD,SEAL LOK
83067	14143-6-6	HOSE END,90° FEMALE SWIVEL,JIC	89552	1JB43-8-8	HOSE END,BULKHEAD,SEAL LOK
83068	14143-8-8	HOSE END,90° FEMALE SWIVEL,JIC	89593	20 C5OLO-S	ELBOW,90°,STRAIGHT THREAD TO ORFS
83069	14143-12-12	HOSE END,90° FEMALE SWIVEL,JIC	94161	8-8 CLO-S	ELBOW,90°,MALE PIPE TO ORFS
83070	772-8	HOSE,1/2 INCH ID	94358	351TC-12	HOSE,3/4 INCH ID
83071	10671-8-8	HOSE END,FEMALE SWIVEL,JIC	94418	20 FLO-S	CONNECTOR,MALE PIPE TO ORFS
83072	10671-12-12	HOSE END,FEMALE SWIVEL,JIC	96358	12 TX-S	SLEEVE,FLARE TUBE
83073	13771-8-8	HOSE END,45° FEMALE SWIVEL,JIC	96359	12 BTX-S	NUT,FLARE TUBE
83074	13771-12-12	HOSE END,45° FEMALE SWIVEL,JIC	96397	8 F5OX-S	CONNECTOR,STRAIGHT THREAD TO FLARE TUBE
83075	13971-8-8	HOSE END,90° FEMALE SWIVEL,JIC	96398	12-8 F5OX-S	CONNECTOR,STRAIGHT THREAD TO FLARE TUBE
83076	13971-12-12	HOSE END,90° FEMALE SWIVEL,JIC	96402	10343-6-6	HOSE END,MALE,JIC
83077	14171-8-8	HOSE END,90° FEMALE SWIVEL,JIC	96407	30382-6-6B	HOSE END,MALE,JIC
83078	14171-12-12	HOSE END,90° FEMALE SWIVEL,JIC			
83080	13943-16-16	HOSE END,90° FEMALE SWIVEL,JIC			
83103	10671-16-12	HOSE END,FEMALE SWIVEL,JIC			
83104	10671-10-12	HOSE END,FEMALE SWIVEL,JIC			
83112	1JC71-8-8	HOSE END,FEMALE SWIVEL,SEAL LOK			
83113	1JS71-16-12	HOSE END,FEMALE SWIVEL,SEAL LOK			
83114	1JS71-10-12	HOSE END,FEMALE SWIVEL,SEAL LOK			
83115	1J971-8-8	HOSE END,90° FEMALE SWIVEL,SEAL LOK			
83116	1J171-8-8	HOSE END,90° FEMALE SWIVEL,SEAL LOK			
83117	1J771-8-8	HOSE END,45° FEMALE SWIVEL,SEAL LOK			
83127	1J543-6-8	HOSE END,90° FEMALE SWIVEL,JIC			
83128	1JC43-6-8	HOSE END,FEMALE SWIVEL,SEAL LOK			
87033	12-6 TRLO-S	REDUCER,TUBE END TO SWIVEL,ORFS			
87034	3J782-8-8	HOSE END,45° FEMALE SWIVEL,SEAL LOK			
87172	12 HP5ON-S	PLUG,STRAIGHT THREAD			
87185	8 WNLO-WLNL-S	UNION,BULKHEAD 45°,ORFS			
87246	4 C6X-S	ELBOW,90°,SWIVEL NUT TO FLARE TUBE			
87679	6 LHP-S	FLANGE SEAL FITTING, MALE			
87681	6PLS N0702	BONDED SEAL			
88100	SR88100	ADAPTER,OIL DRAIN,GM 3.0L			
88311	1JS43-20-20	HOSE END,FEMALE SWIVEL,SEAL LOK			
88353	20 V5OLO-S	ELBOW,45°,STRAIGHT THREAD TO ORFS			
88474	10081-20	Crimp Shell, 1.25"			
88475	1988-20-24	HOSE END,90° FLANGE HEAD			
88476	JS88-24-24	HOSE END,FEMALE SWIVEL,SEAL LOK			
88477	1JC88-20-20	HOSE END,FEMALE SWIVEL,SEAL LOK			
88478	811-20	HOSE,11/4 INCH ID			
88936	20-16 F5OLO-S	CONNECTOR,STRAIGHT THREAD TO ORFS			
88937	20-16 FLO-S	CONNECTOR,MALE PIPE TO ORFS			
88938	1JC88-16-16	HOSE END,FEMALE SWIVEL,SEAL LOK			
88939	1J988-16-16	HOSE END,90° FEMALE SWIVEL,ORFS			
88940	811-16	HOSE,1 INCH ID			
88944	1J988-20-20	HOSE END,90° FEMALE SWIVEL,ORFS			
89403	16 VLO-S	ELBOW,45°,MALE PIPE TO ORFS			

California Proposition 65



WARNING

Operating, servicing and maintaining this equipment can expose you to chemicals including engine exhaust, carbon monoxide, phthalates, and lead, which are known to the State of California to cause cancer and birth defects or other reproductive harm. These chemicals can be emitted from or contained in other various parts and systems, fluids and some component wear by-products. To minimize exposure, avoid breathing exhaust, do not idle the engine except as necessary, service your equipment and vehicle in a well-ventilated area and wear gloves or wash your hands frequently when servicing your equipment or vehicle and after operation. For more information go to www.P65Warnings.ca.gov/passenger-vehicle.

Breathing diesel engine exhaust exposes you to chemicals known to the State of California to cause cancer and birth defects or other reproductive harm.

- Always start and operate the engine in a well-ventilated area.
- If in an enclosed area, vent the exhaust to the outside.
- Do not modify or tamper with the exhaust system.
- Do not idle the engine except as necessary.

For more information go to www.P65warnings.ca.gov/diesel.

Parts Manual

Z-60/34

to SN 1090 to 4000

Part No.
65440

Rev E2

Genie
A TEREX BRAND