

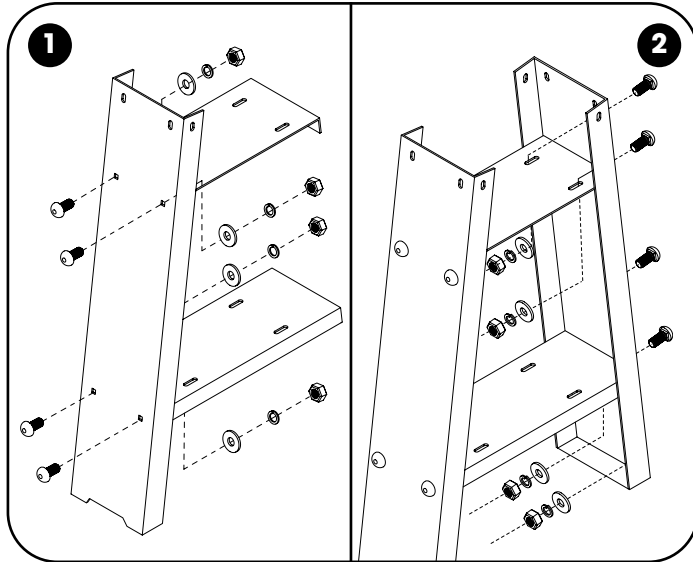
STEEL SUPPORT STAND FOR MAXI-LATHES

ITEM #25-195N

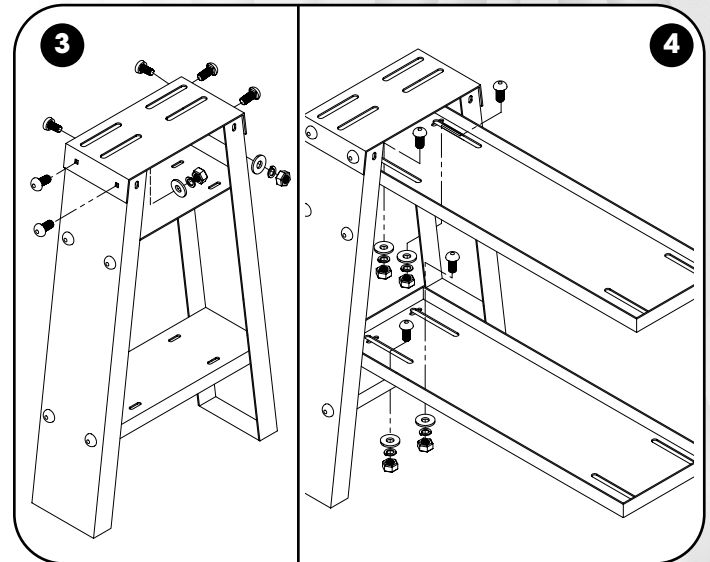


www.general.ca

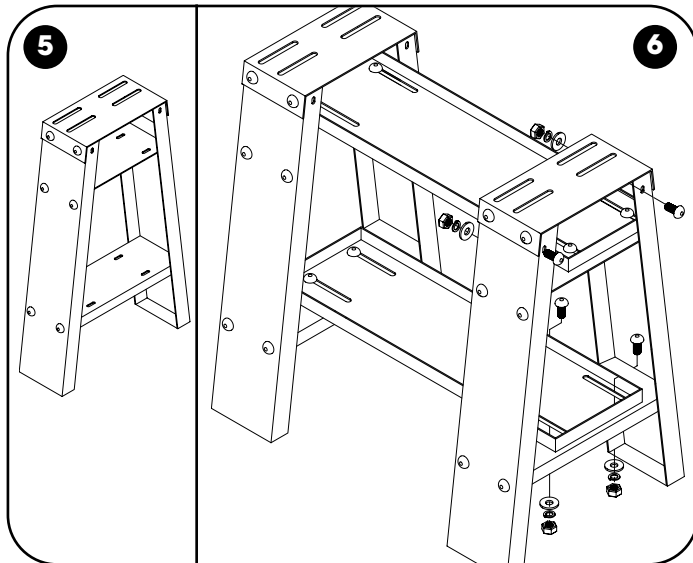
ASSEMBLY



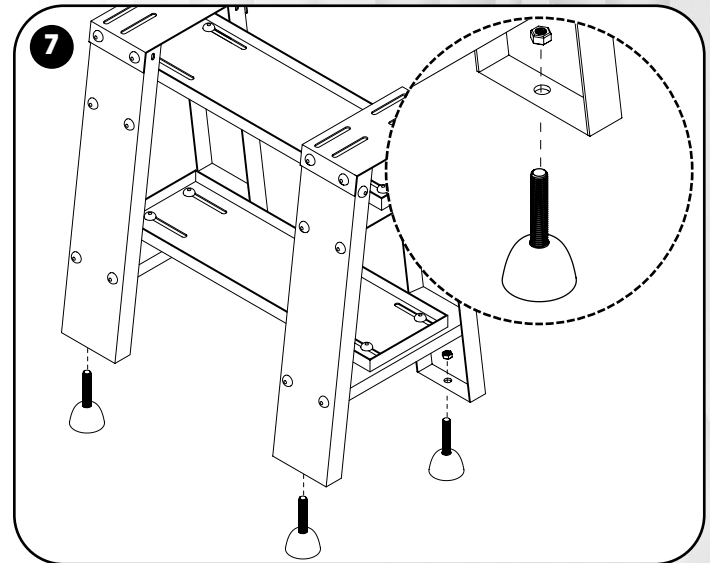
1. Attach the middle and lower cross braces to one leg using four carriage bolts with flat washers, lock washers and nuts (two per cross brace) in the assembly order shown.
2. Attach the second leg using the same hardware in the same assembly order.



3. Attach the upper top shelf using four carriage bolts with flat washers, lock washers and nuts in the assembly order shown.
4. Attach the two support trays using four carriage bolts with flat washers, lock washers and nuts (two per tray).



5. Repeat step 1 to 3 with the two other legs and cross braces.
6. Attach the second leg/cross brace assembly using four carriage bolts with flat washers, lock washers and nuts as shown.



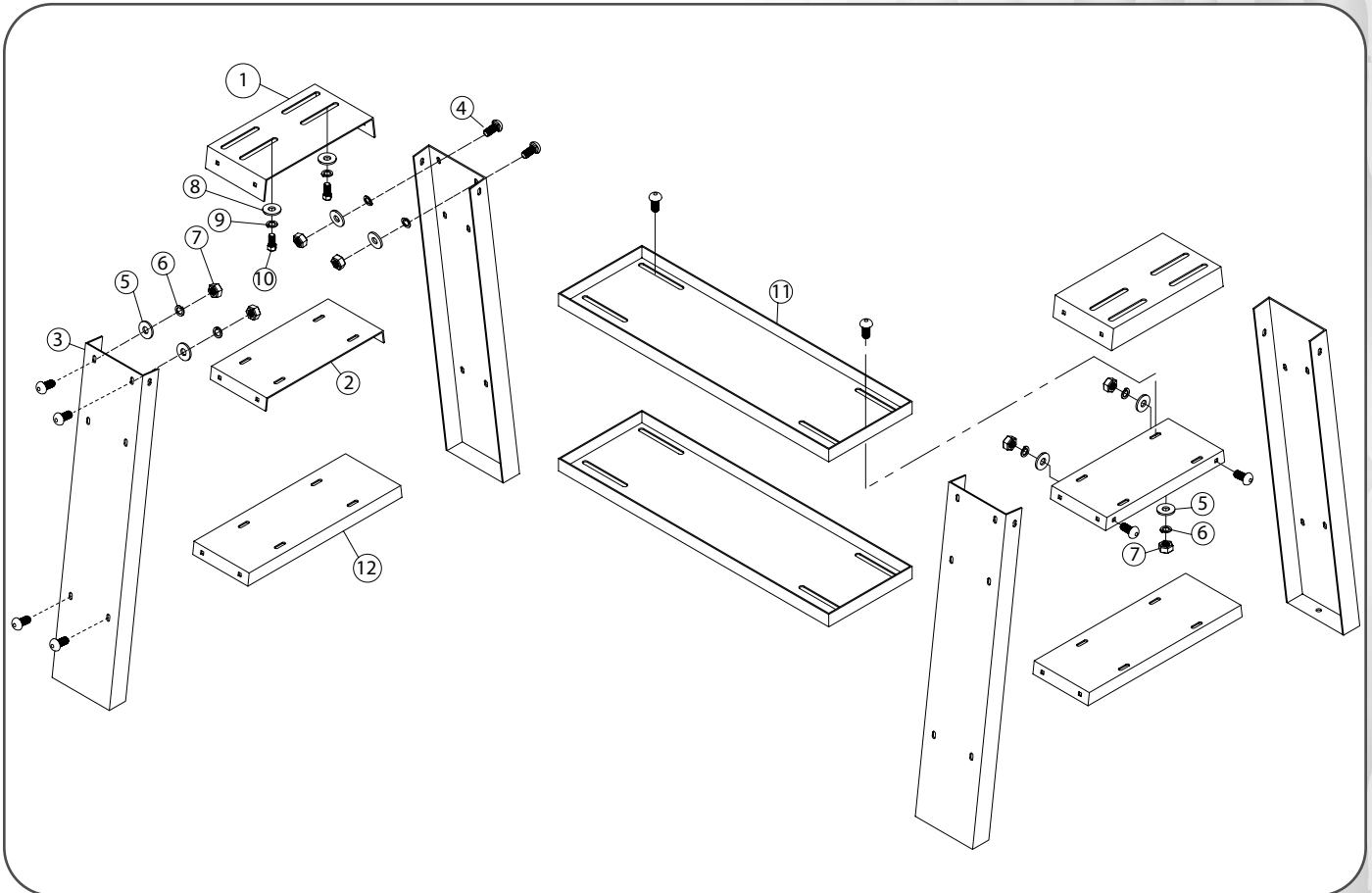
7. Take the 4 levelling feet and lock nuts supplied with your lathe and attach them to the stand as shown.

STEEL SUPPORT STAND FOR MAXI-LATHES

ITEM #25-195N



www.general.ca



PARTS LIST - 25-195N

PART NO.	DESCRIPTION	SPECIFICATIONS	QTY
25195N-01	UPPER TOP SHELF		2
25195N-02	MIDDLE CROSS BRACE		2
25195N-03	LEG		4
25195N-04	CARRIAGE BOLT	5/16" x 5/8"	36
25195N-05	FLAT WASHER	5/16"	36
25195N-06	LOCK WASHER	5/16"	36
25195N-07	HEX NUT	5/16"	36
25195N-08	FLAT WASHER	3/8"	4
25195N-09	LOCK WASHER	3/8"	4
25195N-10	HEX BOLT	3/8" x 3/4"	4
25195N-11	SUPPORT TRAY		2
25195N-12	LOWER CROSS BRACE		2