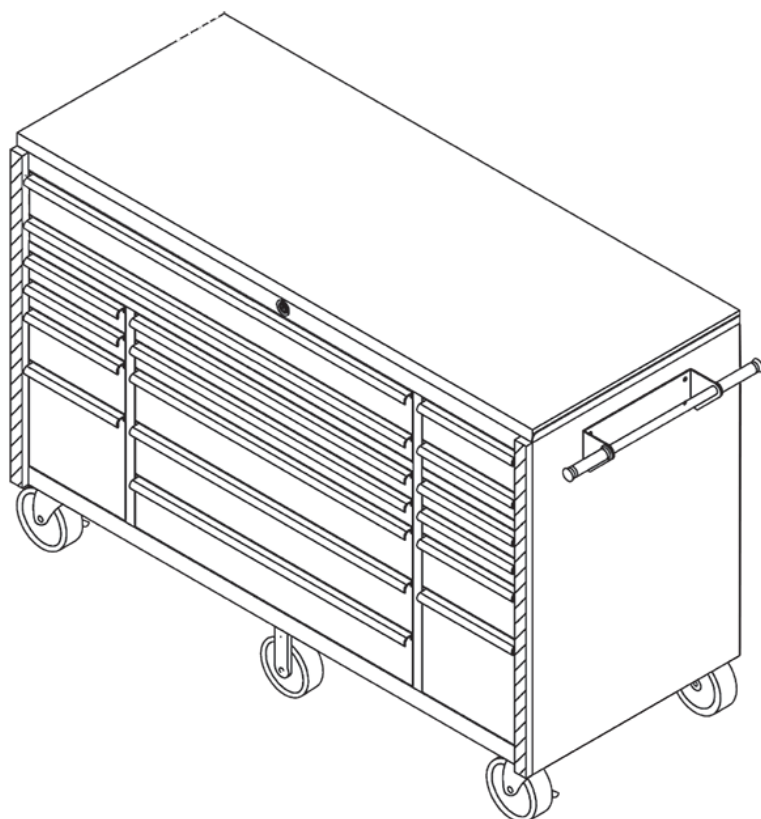


EX7217RC ROLLER CABINET

CABINET

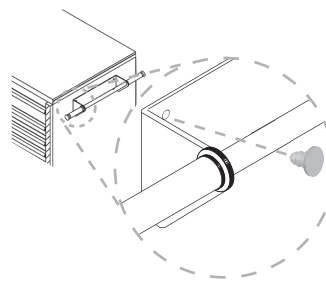


EX7217RC ROLLER CABINET

ASSEMBLY INSTRUCTIONS

INSTALL HANDLE

Simply position the handle over the holes and attach with the bolts provided. Tighten securely.

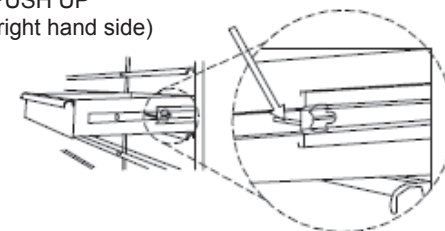


TO REMOVE AND REPLACE DRAWERS

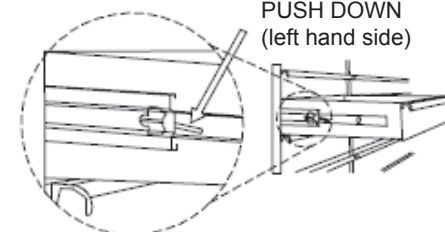
TO REMOVE DRAWERS:

- Pull drawer out so it's almost fully extended
- Push UP right hand black release lever, at the same time push DOWN left hand black release lever
- While holding the levers in the positions as instructed from above, pull the drawer outward until it is released from the drawer side.

PUSH UP
(right hand side)



PUSH DOWN
(left hand side)




TO REPLACE DRAWERS

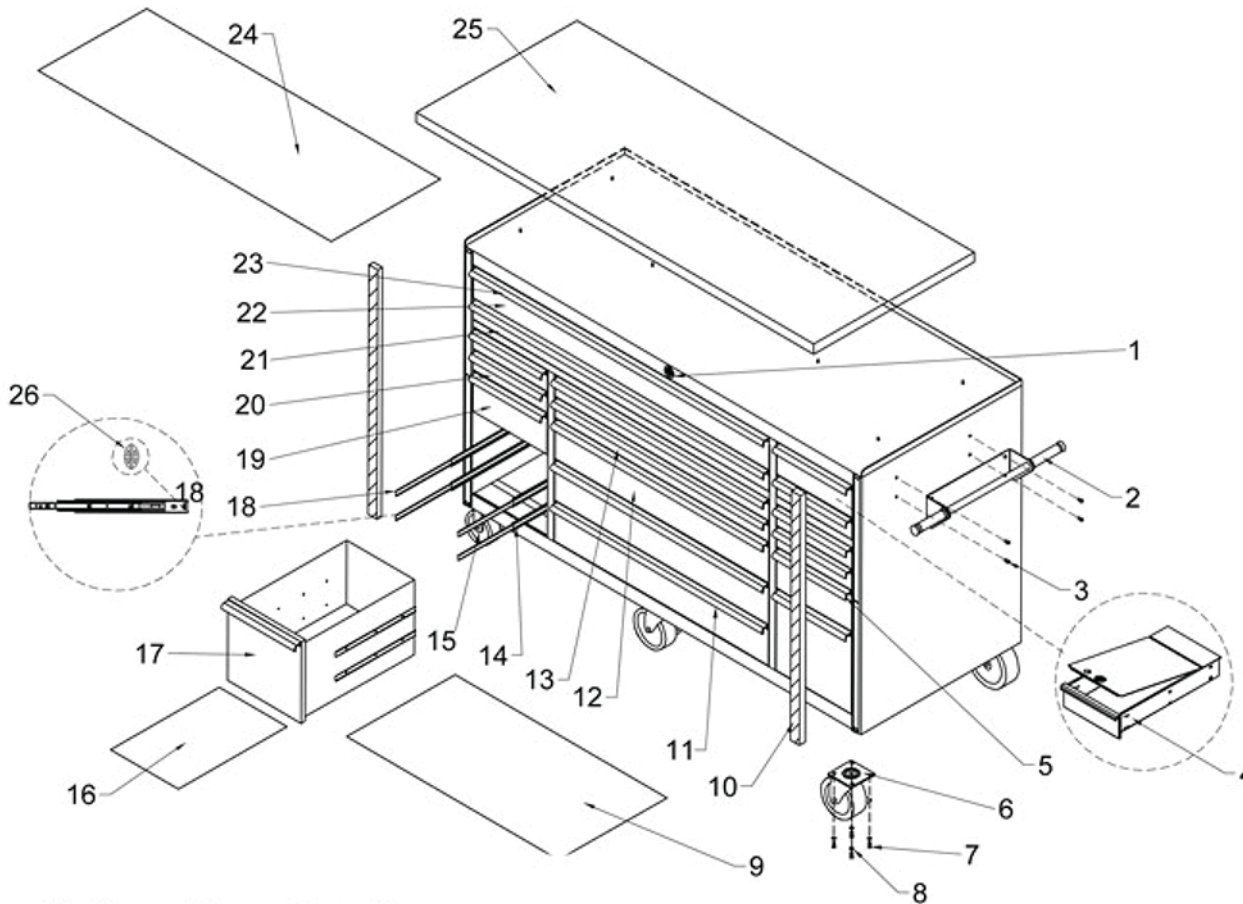
Extend the drawer slides from the tool cabinet. Insert the brackets on each side of the drawer into slots in the cabinet slides, being careful that they are properly positioned.

Once properly inserted, completely close the drawer to set the slides in their proper positions.



EX7217RC ROLLER CABINET

 The keys are taped to the inside of the first drawer.



EX7217RC ROLLER CABINET

PARTS LIST

| REF# | DESCRIPTION | PART# | QTY |
|------|-----------------|---------|---------|
| 1 | Lock | 304049 | 2 pcs. |
| 2 | Cabinet Handle | 103948 | 1 pc. |
| 3 | M10x25 Hex Bolt | 321047 | 4 pcs. |
| 4 | Safe Drawer | 101798 | 1 pc. |
| 5 | Drawer Pull | 301305 | 10 pcs. |
| 6 | Swivel Caster | 302005 | 4 pcs. |
| 7 | M10x25 Hex Bolt | 321047 | 24 pcs. |
| 8 | Washer | 324304 | 24 pcs. |
| 9 | Drawer Liner | 362430 | 5 pcs. |
| 10 | Trim | 315020 | 5 pcs. |
| 11 | Drawer Pull | 301285 | 5 pcs. |
| 12 | Drawer | 101795 | 3 pcs. |
| 13 | Drawer | 101792 | 2 pcs. |
| 14 | Slide(R) | 300005R | 26 pcs. |
| 15 | Rigid Caster | 302006 | 2 pcs. |
| 16 | Drawer Liner | 362429 | 10 pcs. |
| 17 | Drawer | 101797 | 2 pcs. |
| 18 | Slide(L) | 300005L | 26 pcs. |
| 19 | Drawer | 101794 | 2 pcs. |
| 20 | Drawer | 101791 | 5 pcs. |
| 21 | Drawer | 101793 | 1 pc. |
| 22 | Drawer | 101796 | 1 pc. |
| 23 | Drawer Pull | 301307 | 2 pcs. |
| 24 | Drawer Liner | 362431 | 2 pcs. |
| 25 | SS Top | 101789 | 1 pc. |
| 26 | Detent | 314064 | 52 pcs. |



Extreme Tools®, Inc.
740 Frontenac Road
Naperville, IL 60563
Office: 630 369-9303
Fax: 815 254-1930

1. Replacement keys may be ordered, the code which appears on the face of the lock is required.
2. Give the information for service parts: part number and quantity.