



# 21in Super Recycler® Lawn Mower

Model No. 21563—Serial No. 40000000 and Up

## Operator's Manual

# Introduction

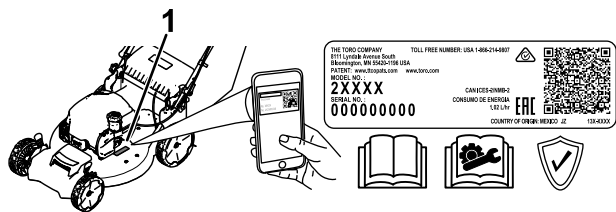
This rotary-blade, walk-behind lawn mower is intended to be used by residential homeowners. It is designed primarily for cutting grass on well-maintained lawns on residential properties. Using this product for purposes other than its intended use could prove dangerous to you and bystanders.

Read this information carefully to learn how to operate and maintain your product properly and to avoid injury and product damage. You are responsible for operating the product properly and safely.

Visit [www.Toro.com](http://www.Toro.com) for more information, including safety tips, training materials, accessory information, help finding a dealer, or to register your product.

Whenever you need service, genuine Toro parts, or additional information, contact an Authorized Service Dealer or Toro Customer Service and have the model and serial numbers of your product ready. **Figure 1** identifies the location of the model and serial numbers on the product. Write the product model and serial numbers in the space provided.

**Important:** With your mobile device, you can scan the QR code on the serial number decal (if equipped) to access warranty, parts, and other product information



**Figure 1**

g374150

1. Model and serial number location

Model No. _____
Serial No. _____

This manual identifies potential hazards and has safety messages identified by the safety-alert symbol (**Figure 2**), which signals a hazard that may cause

serious injury or death if you do not follow the recommended precautions.



**Figure 2**

Safety-alert symbol

g000502

This manual uses 2 words to highlight information. **Important** calls attention to special mechanical information and **Note** emphasizes general information worthy of special attention.

Be sure to register your machine at [www.Toro.com/register](http://www.Toro.com/register). Registration ensures that you are notified should there be a product recall. Your registration information is never sold or shared with third party companies. To avoid waste and help the environment, a discharge chute does not come with your purchase (most customers prefer to recycle or bag their grass clippings). You can request a discharge chute when you register your product at [www.Toro.com/register](http://www.Toro.com/register). Simply check the box in the online registration form and Toro will send you a discharge chute at no additional charge. Please allow 1 to 2 weeks for delivery.

It is a violation of California Public Resource Code Section 4442 or 4443 to use or operate the engine on any forest-covered, brush-covered, or grass-covered land unless the engine is equipped with a spark arrester, as defined in Section 4442, maintained in effective working order or the engine is constructed, equipped, and maintained for the prevention of fire.

The enclosed engine owner's manual is supplied for information regarding the US Environmental Protection Agency (EPA) and the California Emission Control Regulation of emission systems, maintenance, and warranty. Replacements may be ordered through the engine manufacturer.

**Gross or Net Torque:** The gross or net torque of this engine was laboratory rated by the engine manufacturer in accordance with the Society of Automotive Engineers (SAE) J1940 or J2723. As configured to meet safety, emission, and operating requirements, the actual engine torque on this class of mower will be significantly lower. Please refer to



the engine manufacturer's information included with the machine.

**⚠ WARNING**

**CALIFORNIA  
Proposition 65 Warning**

**The engine exhaust from this product contains chemicals known to the State of California to cause cancer, birth defects, or other reproductive harm.**

**Use of this product may cause exposure to chemicals known to the State of California to cause cancer, birth defects, or other reproductive harm.**

# Contents

Introduction .....	1
Safety .....	3
General Safety .....	3
Safety and Instructional Decals .....	4
Setup .....	5
1 Unfolding the Handle .....	5
2 Installing the Blade-Control Bar.....	6
3 Installing the Recoil-Starter Rope in the Rope Guide.....	7
4 Adding Oil to the Engine.....	7
5 Assembling the Grass Bag.....	8
Product Overview .....	9
Specifications .....	9
Attachments/Accessories .....	9
Operation .....	10
Before Operation .....	10
Before Operation Safety .....	10
Filling the Fuel Tank.....	10
Checking the Engine-Oil Level.....	11
Adjusting the Handle Height .....	12
Adjusting the Cutting Height .....	12
During Operation .....	13
During Operation Safety .....	13
Starting the Engine .....	14
Using the Self-Propel Drive.....	15
Shutting Off the Engine.....	15
Engaging the Blade .....	15
Disengaging the Blade.....	16
Checking the Blade-Brake-Clutch Operation.....	16
Recycling the Clippings .....	16
Bagging the Clippings.....	17
Operating Tips .....	18
After Operation .....	18
After Operation Safety .....	18
Cleaning Under the Machine .....	19
Maintenance .....	20
Recommended Maintenance Schedule(s) .....	20
Maintenance Safety.....	20
Preparing for Maintenance .....	21
Servicing the Air Filter.....	21
Changing the Engine Oil .....	22
Replacing the Blade.....	23
Cleaning the Blade-Brake-Clutch Shield.....	23
Adjusting the Self-Propel Drive .....	24
Storage .....	24
Storage Safety.....	24
Preparing the Machine for Storage .....	24
Removing the Machine from Storage .....	24

# Safety

This machine has been designed in accordance with ANSI B71.1-2017.

## General Safety

This product is capable of amputating hands and feet and of throwing objects. Always follow all safety instructions to avoid serious personal injury or death.

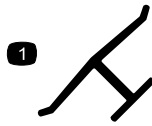
- Read, understand, and follow the instructions and warnings in this *Operator's Manual* and on the machine and attachments before starting the engine.
- Do not put your hands or feet near moving parts or under the machine. Keep clear of any discharge opening.
- Do not operate the machine without all guards and other safety protective devices in place and functioning properly on the machine.
- Keep bystanders and children out of the operating area. Do not allow children to operate the machine. Allow only people who are responsible, trained, familiar with the instructions, and physically capable to operate the machine.
- Stop the machine, shut off the engine, and wait for all moving parts to stop before servicing, fueling, or unclogging the machine.

Improperly using or maintaining this machine can result in injury. To reduce the potential for injury, comply with these safety instructions and always pay attention to the safety-alert symbol ▲, which means Caution, Warning, or Danger—personal safety instruction. Failure to comply with these instructions may result in personal injury or death.

# Safety and Instructional Decals



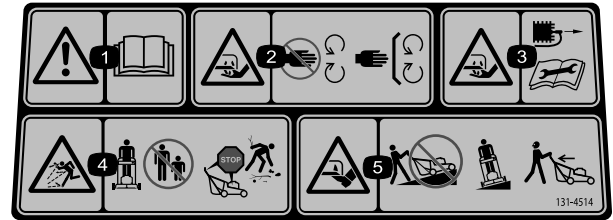
Safety decals and instructions are easily visible to the operator and are located near any area of potential danger. Replace any decal that is damaged or missing.



**Manufacturer's Mark**

decaloemmark

1. This mark indicates that the blade is identified as a part from the original machine manufacturer.



decal131-4514

**131-4514**

1. Warning—read the *Operator's Manual*.
2. Cutting/dismemberment hazard of hand, mower blade—stay away from moving parts; keep all guards and shields in place.
3. Cutting/dismemberment hazard of hand, mower blade—disconnect the spark-plug wire before performing maintenance.
4. Thrown object hazard—keep bystanders away; shut off the engine before leaving the operating position; pick up any debris before mowing.
5. Cutting/dismemberment hazard of foot, mower blade—do not operate up and down slopes; operate side to side on slopes; look behind you when moving in reverse.



decal94-8072

**94-8072**



decal133-8062

**133-8062**

# Setup

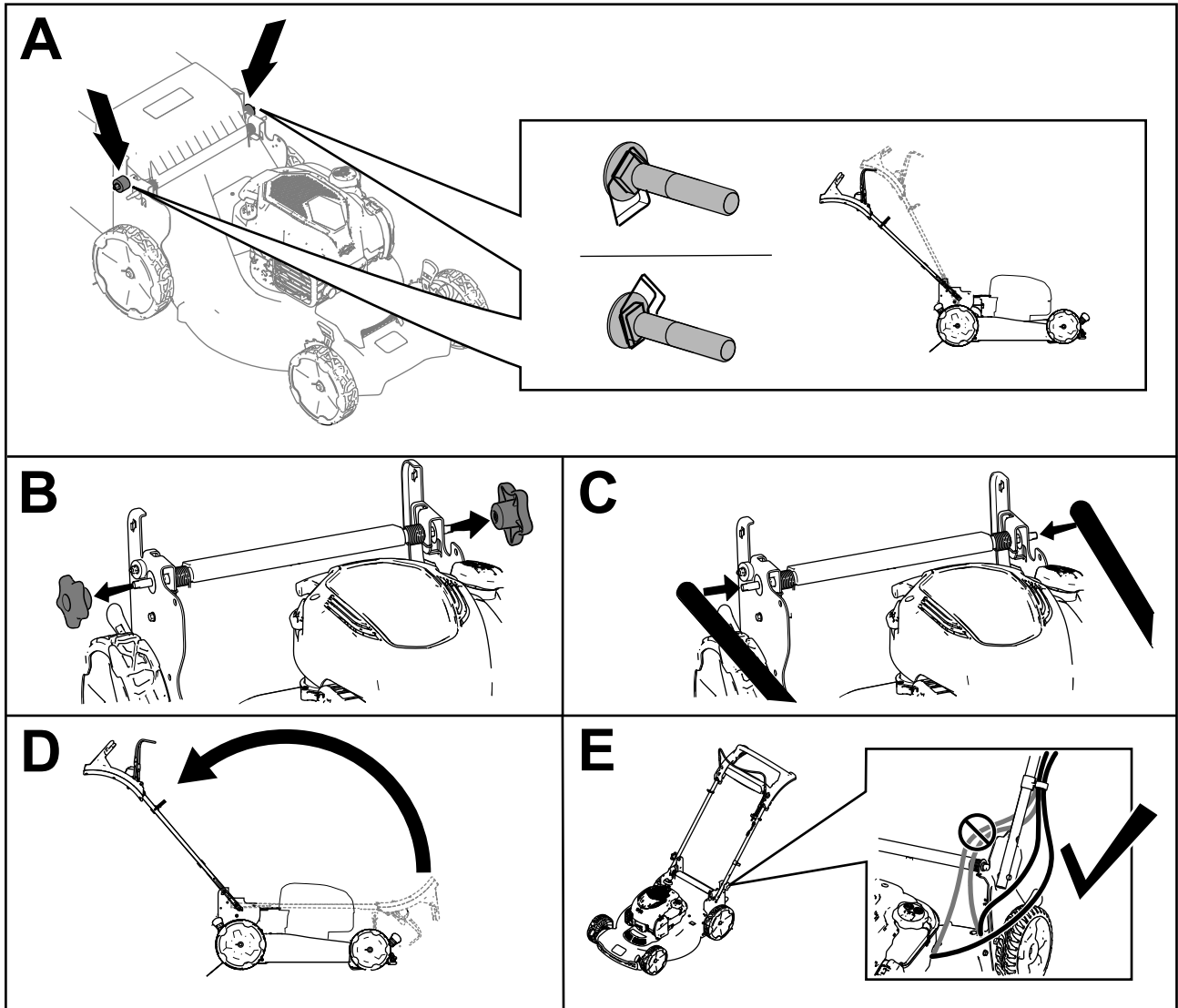
**Important:** Remove and discard the protective plastic sheet that covers the engine and any other plastic or wrapping on the machine.

**1**

## Unfolding the Handle

No Parts Required

### Procedure



g374347

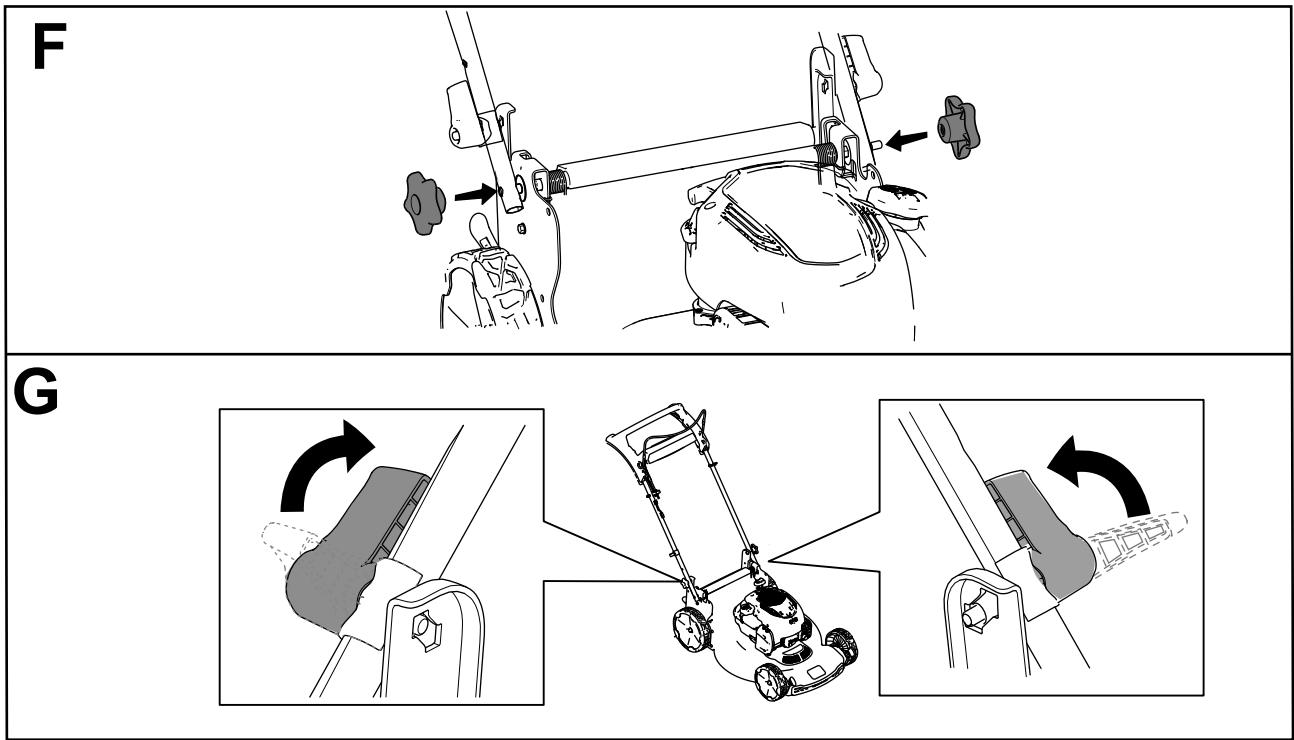


Figure 3

g374348

# 2

## Installing the Blade-Control Bar

No Parts Required

### Procedure

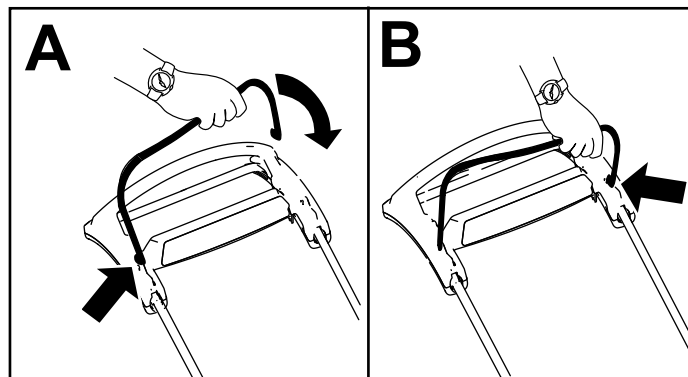


Figure 4

g344378

# 3

## Installing the Recoil-Starter Rope in the Rope Guide

No Parts Required

### Procedure

**Important:** To start the engine safely and easily whenever you use the machine, install the recoil-starter rope in the rope guide.

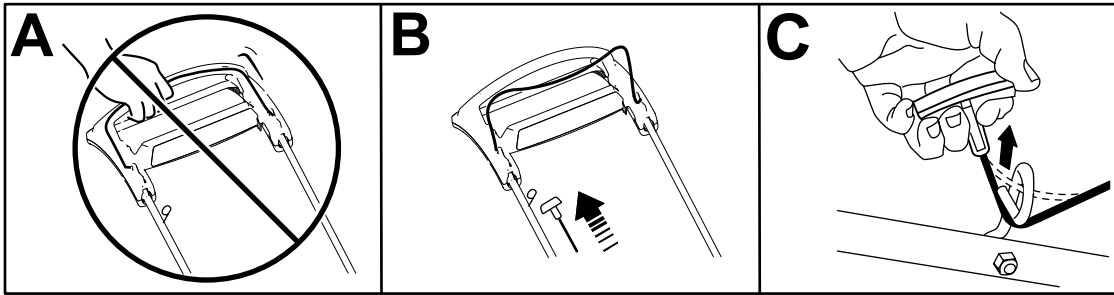


Figure 5

g367802

# 4

## Adding Oil to the Engine

No Parts Required

### Procedure

**Important:** If the oil level in the engine is too low or too high and you run the engine, you may damage the engine.

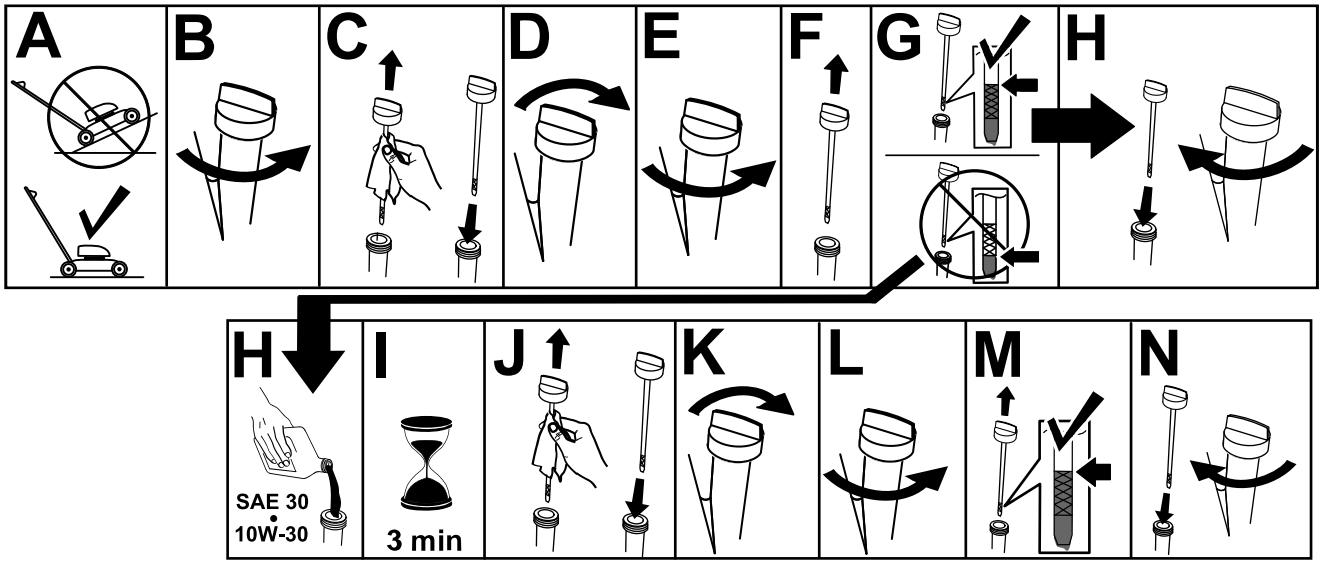


Figure 6

g231765

# 5

## Assembling the Grass Bag

No Parts Required

### Procedure

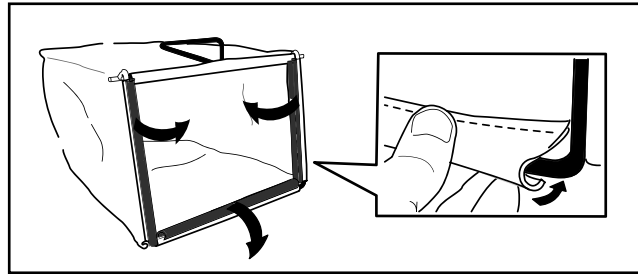
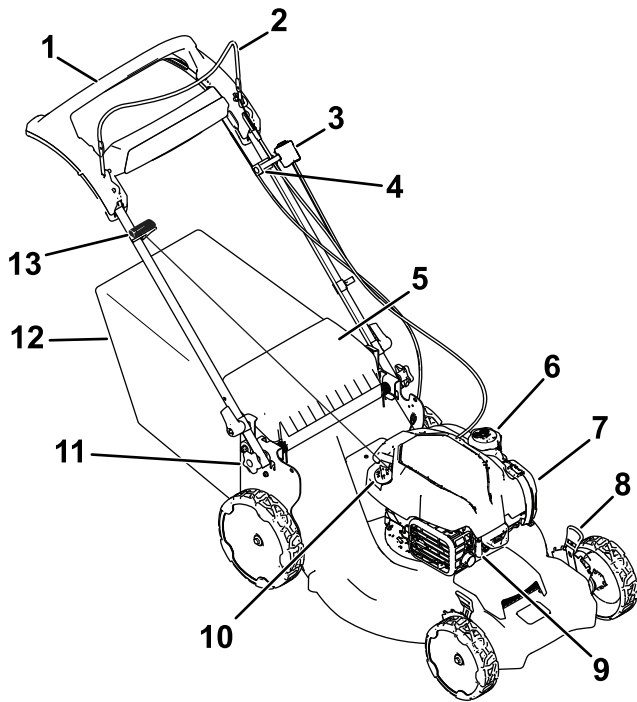


Figure 7

g241560



# Product Overview



g371003

**Figure 8**

- |   |                             |
|---|-----------------------------|
| 1. Handle                               | 8. Cutting-height lever (4) |
| 2. Blade-control bar                    | 9. Spark plug               |
| 3. Engine-shutoff button                | 10. Oil fill/dipstick       |
| 4. Adjustment for the self-propel drive | 11. Handle knob (2)         |
| 5. Rear deflector                       | 12. Grass bag               |
| 6. Fuel-tank cap                        | 13. Recoil-start handle     |
| 7. Air filter                           |                             |

# Specifications

Model	Weight	Length	Width	Height
21563	41.7 kg (92 lb)	154 cm (60.6 inches)	58 cm (23 inches)	115 cm (45.3 inches)

# Attachments/Accessories

A selection of Toro approved attachments and accessories is available for use with the machine to enhance and expand its capabilities. Contact your Authorized Service Dealer or authorized Toro distributor or go to [www.Toro.com](http://www.Toro.com) for a list of all approved attachments and accessories.

To ensure optimum performance and continued safety certification of the machine, use only genuine Toro replacement parts and accessories. Replacement parts and accessories made by other manufacturers could be dangerous, and such use could void the product warranty.

# Operation

**Note:** Determine the left and right sides of the machine from the normal operating position.

## Before Operation

### Before Operation Safety

#### General Safety

- Always shut off the machine, wait for all moving parts to stop, and allow the machine to cool before adjusting, servicing, cleaning, or storing it.
- Become familiar with the safe operation of the equipment, operator controls, and safety signs.
- Check that all guards and safety devices, such as deflectors and/or grass catcher, are in place and functioning properly.
- Always inspect the machine to ensure that the blades and blade bolts are not worn or damaged.
- Inspect the area where you will use the machine, and remove all objects that could interfere with the operation of the machine or that the machine could throw.
- Contact with the moving blade will cause serious injury. Do not put your fingers under the housing.

#### Fuel Safety

- Fuel is extremely flammable and highly explosive. A fire or explosion from fuel can burn you and others and can damage property.
  - To prevent a static charge from igniting the fuel, place the container and/or machine directly on the ground before filling, not in a vehicle or on an object.
  - Fill the fuel tank outdoors, in an open area, when the engine is cold. Wipe up any fuel that spills.
  - Do not handle fuel when smoking or around an open flame or sparks.
  - Do not remove the fuel cap or add fuel to the tank while the engine is running or hot.
  - If you spill fuel, do not attempt to start the engine. Avoid creating a source of ignition until the fuel vapors have dissipated.
  - Store fuel in an approved container and keep it out of the reach of children.
- Fuel is harmful or fatal if swallowed. Long-term exposure to vapors can cause serious injury and illness.

- Avoid prolonged breathing of vapors.
- Keep your hands and face away from the nozzle and the fuel-tank opening.
- Keep fuel away from your eyes and skin.

## Filling the Fuel Tank

Type	Unleaded gasoline
Minimum octane rating	87 (US) or 91 (research octane; outside the US)
Ethanol	No more than 10% by volume
Methanol	None
MTBE (methyl tertiary butyl ether)	Less than 15% by volume
Oil	Do not add to the fuel

Use only clean, fresh (no more than 30 days old), fuel from a reputable source.

**Important:** To reduce starting problems, add fuel stabilizer/conditioner to fresh fuel as directed by the fuel-stabilizer/conditioner manufacturer.

Refer to your engine owner's manual for additional information.

Fill the fuel tank as shown in [Figure 9](#).

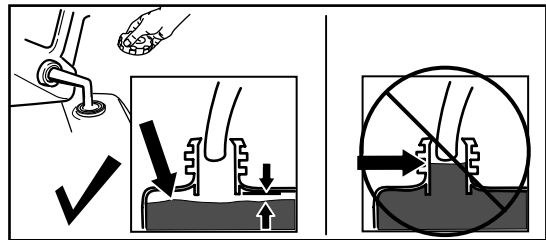


Figure 9

g230458

# Checking the Engine-Oil Level

Service Interval: Before each use or daily

**Important:** If the oil level in the crankcase is too low or too high and you run the engine, you may damage the engine.

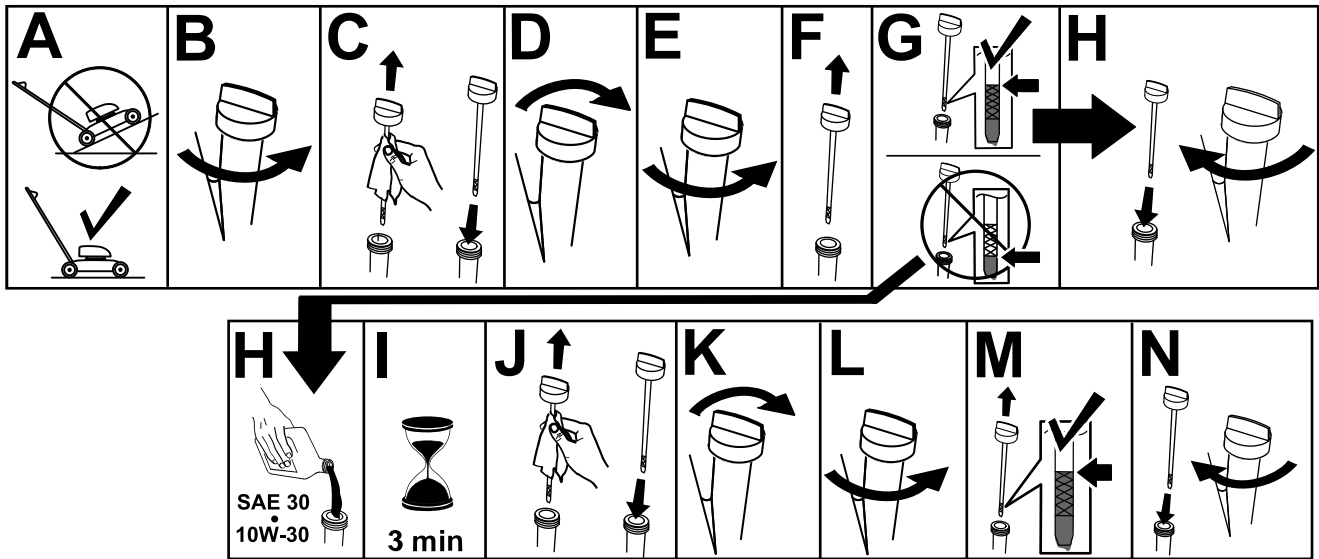


Figure 10

g231765

# Adjusting the Handle Height

You may raise or lower the handle to a position that is comfortable for you. Refer to [Figure 11](#) for this procedure.

1. Rotate the handle locks.
2. Loosen the nuts so that the carriage bolt can slide into the higher or lower position.
3. Move the handle to the higher or lower position.
4. Tighten the nuts.
5. Lock the handles into position

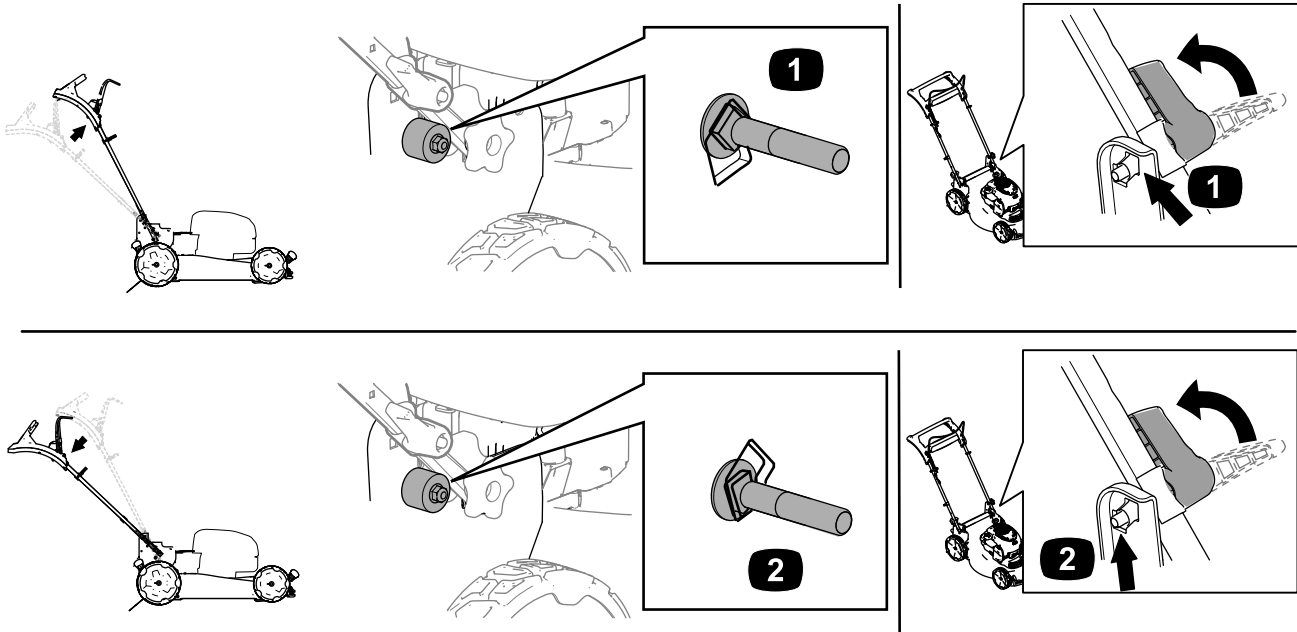


Figure 11

g371149

1. Bolt and handle installed to the higher handle position.

2. Bolt and handle installed to the lower handle position.

# Adjusting the Cutting Height

## **⚠ DANGER**

Adjusting the cutting-height levers could bring your hands into contact with a moving blade and result in serious injury.

- Shut off the engine and wait for all moving parts to stop before adjusting the cutting height.
- Do not put your fingers under the housing when adjusting the cutting height.

## **⚠ CAUTION**

If the engine has been running, the muffler will be hot and can burn you.

Keep away from the hot muffler.

Adjust the cutting height as desired. Set all wheels to the same cutting height ([Figure 12](#)).

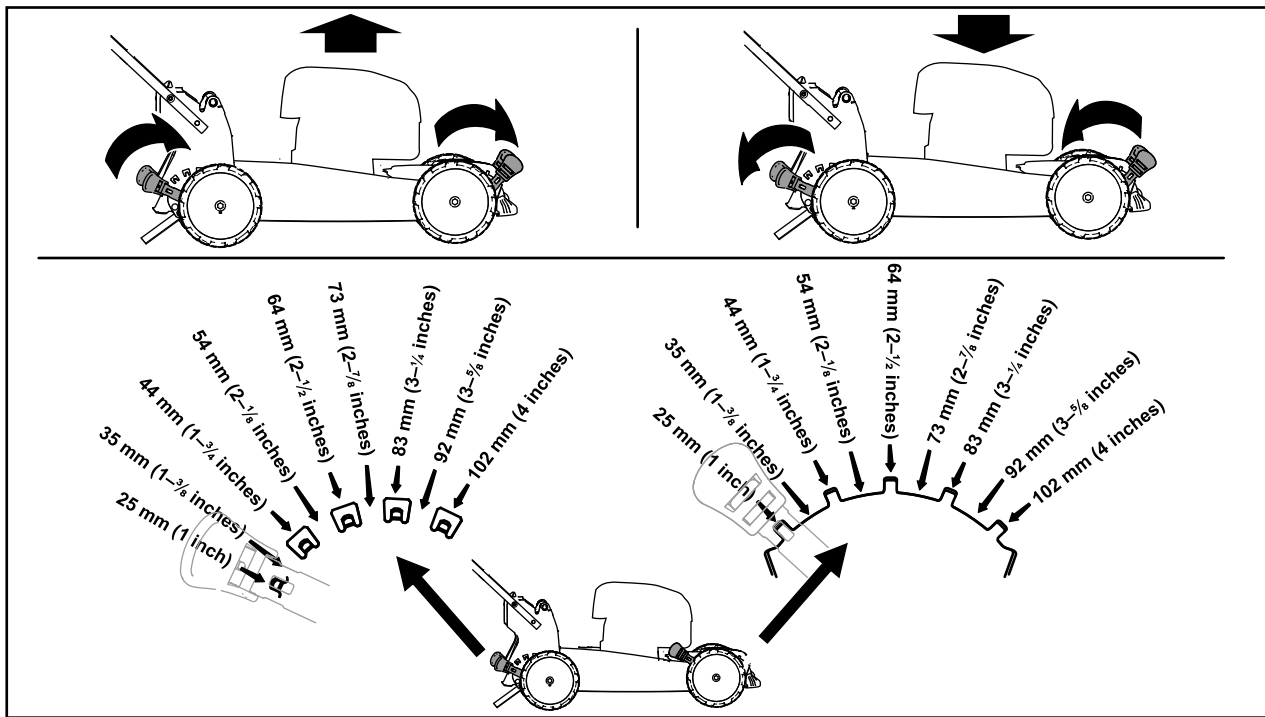


Figure 12

g369225

## ***During Operation***

### **During Operation Safety**

#### **General Safety**

- Wear appropriate clothing, including eye protection; long pants; substantial, slip-resistant footwear; and hearing protection. Tie back long hair and do not wear loose clothing or loose jewelry.
- Use your full attention while operating the machine. Do not engage in any activity that causes distractions; otherwise, injury or property damage may occur.
- Do not operate the machine while ill, tired, or under the influence of alcohol or drugs.
- The blade is sharp; contacting the blade can result in serious personal injury. Shut off the engine, remove the ignition key (if equipped), and wait for all moving parts to stop before leaving the operating position.
- Keep bystanders out of the operating area. Keep small children out of the operating area and under the watchful care of a responsible adult who is not operating the machine. Stop the machine if anyone enters the area.
- Always look down and behind you before moving the machine in reverse.
- Operate the machine only in good visibility and appropriate weather conditions. Do not operate the machine when there is the risk of lightning.
- Wet grass or leaves can cause serious injury if you slip and contact the blade. Avoid mowing in wet conditions.
- Use extreme care when approaching blind corners, shrubs, trees, or other objects that may block your view.
- Do not direct the discharge material toward anyone. Avoid discharging material against a wall or obstruction; material may ricochet toward you. Stop the blade(s) when crossing gravel surfaces.
- Watch for holes, ruts, bumps, rocks, or other hidden objects. Uneven terrain could cause you to lose your balance or footing.
- If the machine strikes an object or starts to vibrate, immediately shut off the engine, remove the ignition key (if equipped), wait for all moving parts to stop, and disconnect the wire from the spark plug before examining the machine for damage. Make all necessary repairs before resuming operation.
- Before leaving the operating position, shut off the engine, remove the ignition key (if equipped), and wait for all moving parts to stop.
- If the engine has been running, it will be hot and can severely burn you. Keep away from the hot engine.

- Operate the engine only in well-ventilated areas. Exhaust gases contain carbon monoxide, which is an odorless, deadly poison.
- Check the grass catcher components and the discharge chute frequently for any wear or deterioration and replace them with genuine Toro parts when necessary.

## Slope Safety

- Mow across the face of slopes; never up and down. Use extreme caution when changing direction on slopes.
- Do not mow on excessively steep slopes. Poor footing could cause a slip-and-fall accident.
- Mow with caution near drop-offs, ditches, or embankments.

## Starting the Engine

Pull the recoil-start handle (B of [Figure 13](#)) lightly until you feel resistance, then pull it sharply, and allow it to return to the rope guide on the handle slowly.

**Note:** Do not pull the blade-control bar to the handle while pulling the recoil-start handle (A of [Figure 13](#)).

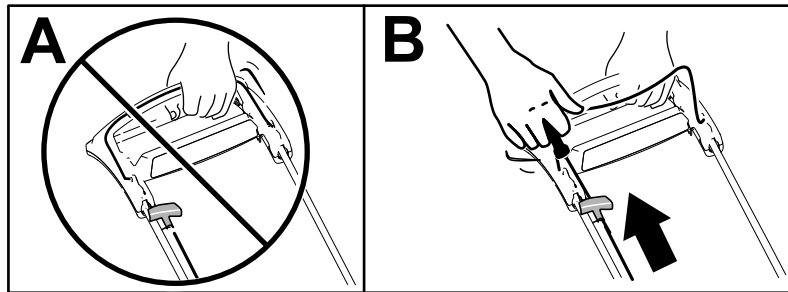


Figure 13

g367803

**Note:** If the machine does not start after several attempts, contact an Authorized Service Dealer.

## Using the Self-Propel Drive

To operate the self-propel drive, simply walk with your hands on the upper handle and your elbows at your sides, and the machine will automatically keep pace with you (Figure 14).

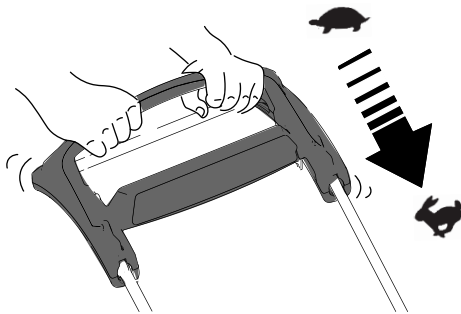


Figure 14

g334136

**Note:** If the machine does not freely roll backward after self-propelling, stop walking, hold your hands in place, and allow the machine to roll a couple of centimeters (inches) forward to disengage the wheel drive. You can also try reaching just under the upper handle to the metal handle and pushing the machine forward a couple of centimeters (inches). If the machine still does not roll backward easily, contact an Authorized Service Dealer.

## Engaging the Blade

When you start your engine, the blade does not turn. You must engage the blade to mow.

1. Pull the control-bar lock back (A of Figure 16).

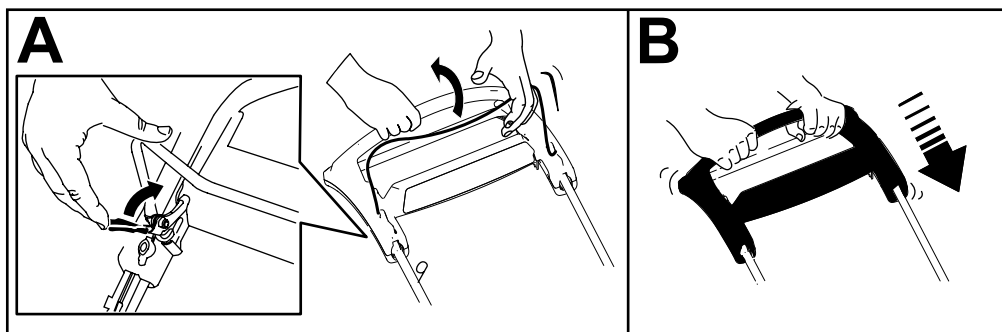


Figure 16

g371126

2. Pull the blade-control bar to the handle (A of Figure 16).
3. Hold the blade-control bar against the handle and use the self-propel drive (B of Figure 16).

## Shutting Off the Engine

**Service Interval:** Before each use or daily—Ensure that the engine shuts off within 3 seconds after pressing the engine-shutoff button.

To shut off the engine, press and hold the engine-shutoff button (Figure 15) until the engine shuts off.

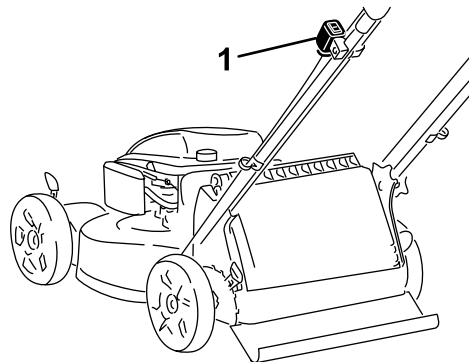


Figure 15

g374067

1. Engine-shutoff button

**Important:** When you press the engine-shutoff button, the blade should stop within 3 seconds. If it does not stop properly, stop using your machine immediately and contact an Authorized Service Dealer.

## Disengaging the Blade

Release the blade-control bar ([Figure 17](#)).

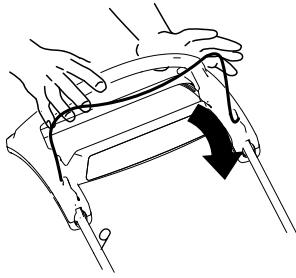


Figure 17

g371127

---

**Important:** When you release the blade-control bar, the blade should stop within 3 seconds. If it does not stop properly, stop using your machine immediately and contact an Authorized Service Dealer.

## Checking the Blade-Brake-Clutch Operation

Check the control bar before each use to ensure that the blade-brake-clutch system is operating properly.

### Using the Grass Bag

**Service Interval:** Before each use or daily

You can use the grass bag to perform an additional test to check the blade-brake clutch.

1. Install the empty grass bag on the machine.
2. Start the engine.
3. Engage the blade.

**Note:** The bag should begin to inflate, indicating that the blade is engaged and rotating.

## Recycling the Clippings

Your machine comes from the factory ready to recycle the grass and leaf clippings back into the lawn.

If the grass bag is on the machine, remove it before recycling the clippings. Refer to [Removing the Grass Bag \(page 18\)](#).

4. Release the blade-control bar.

**Note:** If the bag does not immediately deflate, the blade is still rotating. The blade-brake clutch may be deteriorating and, if ignored, could result in an unsafe operating condition. Have the machine inspected and serviced by an Authorized Service Dealer.

5. Shut off the engine and wait for all moving parts to stop.

## Not Using the Grass Bag

1. Move the machine onto a paved surface in a non-windy area.
2. Set all 4 wheels to the 83 mm (3-1/4 inch) cutting-height setting.
3. Take a half sheet of newspaper and crumple it into a ball small enough to go under the machine housing (about 76 mm or 3 inches in diameter).
4. Place the newspaper ball about 13 cm (5 inches) in front of the machine.
5. Start the engine.
6. Engage the blade.
7. Release the blade-control bar.
8. Immediately push the machine over the newspaper ball.
9. Shut off the engine and wait for all moving parts to stop.
10. Go to the front of the machine and check the newspaper ball.

**Note:** If the newspaper ball did not go under the machine, repeat steps 4 through 10.

11. If the newspaper is unravelled or shredded, the blade did not stop properly, which could result in an unsafe operating condition. Contact an Authorized Service Dealer.



# Bagging the Clippings

Use the grass bag when you want to collect grass and leaf clippings from the lawn.

## ⚠ WARNING

A worn grass bag could allow small stones and other similar debris to be thrown toward you or bystanders, resulting in serious personal injury or death.

Check the grass bag frequently. If it is damaged, install a new Toro replacement bag.

## ⚠ WARNING

The blades are sharp; contacting the blades can result in serious personal injury.

Shut off the machine and wait for all moving parts to stop before leaving the operating position.

## Installing the Grass Bag

1. Shut off the machine and wait for all moving parts to stop.
2. Raise and hold up the rear deflector (A of [Figure 18](#)).
3. Remove the rear-discharge plug by pushing in the latch with your thumb and pulling the plug out from the machine (B and C of [Figure 18](#)).
4. Install the bag-rod ends into the notches at the base of the handle, and rock the bag back and forth to ensure that the bag-rod ends are seated at the bottom of both notches (D of [Figure 18](#)).
5. Lower the rear deflector until it rests on the grass bag.

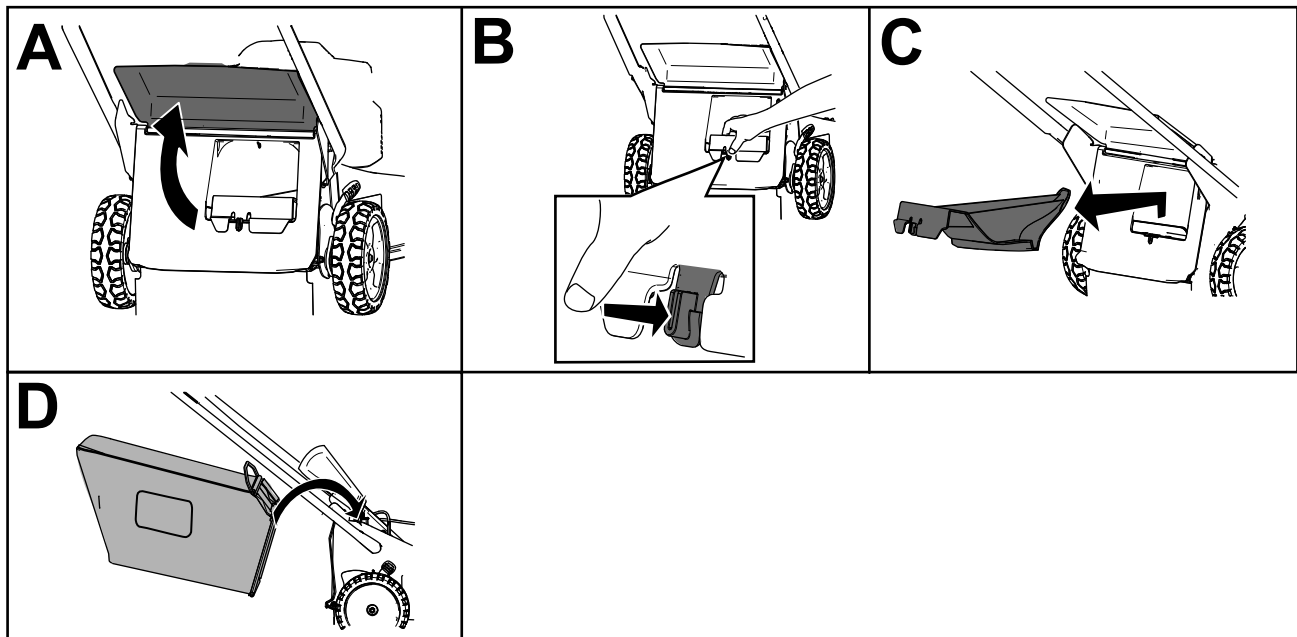


Figure 18

g367752

# Removing the Grass Bag

## **▲ DANGER**

The machine can throw grass clippings and other objects through an opening in the machine housing. Objects thrown with enough force could cause serious personal injury or death to you or to bystanders.

- **Never remove the grass bag and then start the machine without the discharge plug installed on the machine.**
  - **Never open the rear deflector on the machine when the machine is running.**
1. Shut off the machine and wait for all moving parts to stop.
  2. Raise the rear deflector.
  3. Remove the bag rod on the grass bag from the notches at the base of the handle.
  4. Install the discharge plug.
  5. Lower the rear deflector.

# Operating Tips

## General Mowing Tips

- Inspect the area where you will use the machine and remove all objects that the machine could throw.
- Avoid striking solid objects with the blade. Never deliberately mow over any object.
- If the machine strikes an object or starts to vibrate, immediately shut off the engine, wait for all moving parts to stop, disconnect the wire from the spark plug, and examine the machine for damage.
- For best performance, install a new Toro blade before the cutting season begins or when necessary.

## Cutting Grass

- Cut only about a third of the grass blade at a time. Do not cut below 51 mm (2 inches) unless the grass is sparse or it is late fall when grass growth begins to slow down.
- When cutting grass over 15 cm (6 inches) tall, mow at the highest cutting height setting and walk slower; then mow again at a lower setting for the best lawn appearance. If the grass is too long, the machine may plug and cause the engine to stall.
- Wet grass and leaves tend to clump on the yard and can cause the machine to plug or the engine to stall. Avoid mowing in wet conditions.
- Be aware of a potential fire hazard in very dry conditions, follow all local fire warnings, and keep the machine free of dry grass and leaf debris.

- Alternate the mowing direction. This helps disperse the clippings over the lawn for even fertilization.
- If the finished lawn appearance is unsatisfactory, try 1 or more of the following:
  - Replace the blade or have it sharpened.
  - Walk at a slower pace while mowing.
  - Raise the cutting height on your machine.
  - Cut the grass more frequently.
  - Overlap cutting swaths instead of cutting a full swath with each pass.

## Cutting Leaves

- After cutting the lawn, ensure that half of the lawn shows through the cut leaf cover. You may need to make more than a single pass over the leaves.
- If there are more than 13 cm (5 inches) of leaves on the lawn, mow at a higher cutting height and then again at the desired cutting height.
- Slow down your mowing speed if the machine does not cut the leaves finely enough.

# *After Operation*

## After Operation Safety

### General Safety

- Always shut off the machine, wait for all moving parts to stop, and allow the machine to cool before adjusting, servicing, cleaning, or storing it.

- Clean grass and debris from the machine to help prevent fires. Clean up oil or fuel spills.
- Never store the machine or fuel container where there is an open flame, spark, or pilot light, such as on a water heater or on other appliances.

## Hauling Safety

- Use care when loading or unloading the machine.
- Secure the machine from rolling.

# Cleaning Under the Machine

**Service Interval:** After each use

For best results, clean under the machine shortly after you have completed mowing.

1. Lower the machine to its lowest cutting-height setting.
2. Move the machine onto a paved level surface.
3. With the engine running and the blade engaged, spray a stream of water in front of the **right**, rear wheel (Figure 19).

**Note:** The water will splash into the path of the blade, cleaning out the clippings.

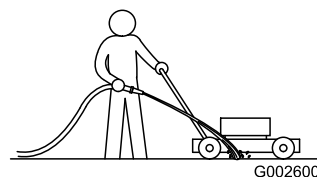


Figure 19

g002600

4. When no more clippings come out, stop the water and move the machine to a dry area.
5. Start the engine and run it for a few minutes to dry the underside of the machine to prevent it from rusting.
6. Shut off the engine, remove the electric-start button (if equipped), and allow the machine to cool before storing it in an enclosed area.

# Maintenance

## Recommended Maintenance Schedule(s)

Maintenance Service Interval	Maintenance Procedure
Before each use or daily	<ul style="list-style-type: none"><li>• Check the engine-oil level and add oil as needed.</li><li>• Ensure that the engine shuts off within 3 seconds after pressing the engine-shutoff button.</li><li>• Check the blade-brake-clutch operation.</li></ul>
After each use	<ul style="list-style-type: none"><li>• Clean grass clippings and dirt from under the machine.</li></ul>
Every 25 hours	<ul style="list-style-type: none"><li>• Service the air filter; service it more frequently in dusty operating conditions.</li><li>• Clean the blade-brake-clutch shield.</li></ul>
Yearly	<ul style="list-style-type: none"><li>• Replace the air filter; replace it more frequently in dusty operating conditions.</li><li>• Change the engine oil (if desired).</li><li>• Replace the blade or have it sharpened (more frequently if the edge dulls quickly).</li><li>• Clean the engine by removing dirt and debris from its top and sides; clean it more frequently in dusty operating conditions.</li></ul>
Yearly or before storage	<ul style="list-style-type: none"><li>• Empty the fuel tank before repairs as directed and before yearly storage.</li></ul>

## Maintenance Safety

- Always shut off the machine, wait for all moving parts to stop, and allow the machine to cool before adjusting, servicing, cleaning, or storing it.
- Disconnect the spark-plug wire from the spark plug before performing any maintenance procedure.
- Wear gloves and eye protection when servicing the machine.
- The blade is sharp; contacting the blade can result in serious personal injury. Wear gloves when servicing the blade. Do not repair or alter the blade(s).
- Never tamper with safety devices. Check their proper operation regularly.
- Tipping the machine may cause the fuel to leak. Fuel is flammable and explosive, and can cause personal injury. Run the engine dry or remove the fuel with a hand pump; never siphon the fuel.
- To ensure optimum performance of the machine, use only genuine Toro replacement parts and accessories. Replacement parts and accessories made by other manufacturers could be dangerous, and such use could void the product warranty.

# Preparing for Maintenance

1. Shut off the engine and wait for all moving parts to stop.
2. Disconnect the spark-plug wire from the spark plug (Figure 20).

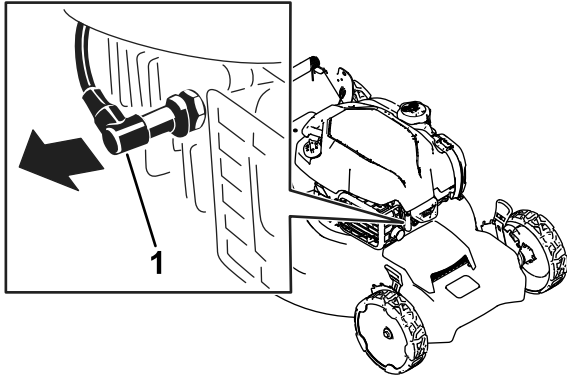


Figure 20

g367506

1. Spark-plug wire

3. After performing the maintenance procedure(s), connect the spark-plug wire to the spark plug.

**Important:** Before tipping the machine to change the oil or replace the blade, allow the fuel tank to run dry through normal usage. If you must tip the machine prior to running out of fuel, use a hand fuel pump to remove the fuel. Always tip the machine onto its side, with the dipstick down.

# Servicing the Air Filter

**Service Interval:** Every 25 hours

Yearly

1. Unclip the top of the air-filter cover (Figure 21).

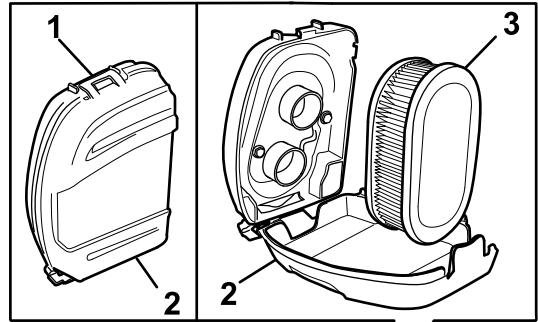


Figure 21

g367518

1. Clip
2. Air-filter cover
3. Air filter

2. Remove the air filter (Figure 21).
3. Inspect the air filter.

**Note:** If the air filter is excessively dirty, replace it with a new filter. Otherwise, gently tap the air filter on a hard surface to loosen debris.

4. Install the air filter.
5. Use the clip to install the air-filter cover.

# Changing the Engine Oil

Service Interval: Yearly

Changing the engine oil is not required, but if you want to change the oil, use the following procedure.

**Note:** Run the engine a few minutes before changing the oil to warm it. Warm oil flows better and carries more contaminants.

## Engine Oil Specifications

Engine oil capacity	0.44 L (15 fl oz)*
Oil viscosity	SAE 30 or SAE 10W-30 detergent oil
API service classification	SJ or higher

\*There is residual oil in the crankcase after you drain the oil. Do not pour the entire capacity of oil into the crankcase. Fill the crankcase with oil as directed in the following steps.

1. Move the machine to a level surface.
2. Refer to [Preparing for Maintenance \(page 21\)](#).
3. Remove the dipstick by rotating the cap counterclockwise and pulling it out ([Figure 22](#)).

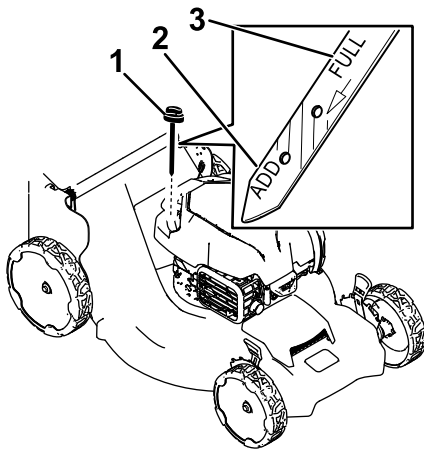


Figure 22

g367693

1. Dipstick
2. Add
3. Full

4. Tip the machine onto its side (so that the air filter is up) to drain the used oil from the oil-fill tube ([Figure 22](#)).

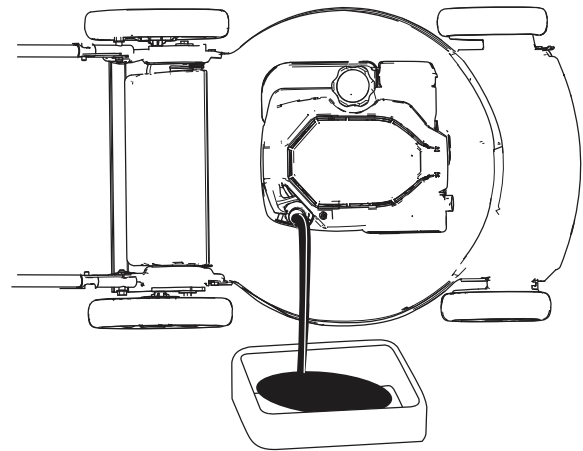


Figure 23

g361896

5. After draining the used oil, return the machine to the operating position.
6. Carefully pour about 3/4 of the engine capacity of oil into the oil-fill tube.
7. Wait 3 minutes for the oil to settle in the engine.
8. Wipe the dipstick clean with a clean cloth.
9. Insert the dipstick into the oil-fill tube, **but do not screw it in**, then remove the dipstick.
10. Read the oil level on the dipstick.
  - If the oil level on the dipstick is too low, carefully pour a small amount of oil into the oil-fill tube, wait 3 minutes, and repeat steps [8](#) through [10](#) until the oil level on the dipstick is correct.
  - If the oil level on the dipstick is too high, drain the excess oil until the oil level on the dipstick is correct.
11. Install the dipstick into the oil-fill tube securely.
12. Recycle the used oil properly.

**Important:** If the oil level in the engine is too low or too high and you run the engine, you may damage the engine.

# Replacing the Blade

**Service Interval:** Yearly—Replace the blade or have it sharpened (more frequently if the edge dulls quickly).

**Important:** You will need a torque wrench to install the blade properly. If you do not have a torque wrench or are uncomfortable performing this procedure, contact an Authorized Service Dealer.

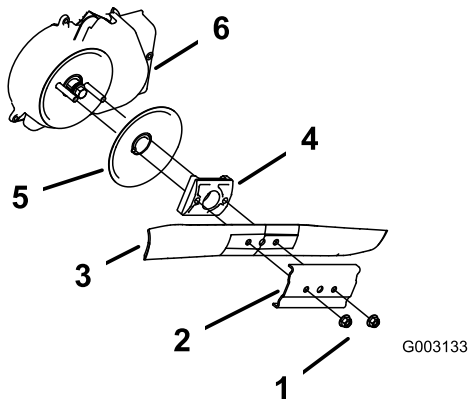
Examine the blade whenever you run out of fuel. If the blade is damaged or cracked, replace it immediately. If the blade edge is dull or nicked, have it sharpened and balanced, or replace it.

## ⚠ WARNING

The blade is sharp; contacting the blade can result in serious personal injury.

Wear gloves when servicing the blade.

1. Disconnect the spark-plug wire from the spark plug; refer to [Preparing for Maintenance \(page 21\)](#).
2. Tip the machine onto its side with the air filter up.
3. Remove the 2 blade nuts and the stiffener ([Figure 24](#)).



**Figure 24**

- |               |                              |
|---------------|------------------------------|
| 1. Blade nuts | 4. Blade driver              |
| 2. Stiffener  | 5. Anti-scalp disk           |
| 3. Blade      | 6. Blade-brake-clutch shield |

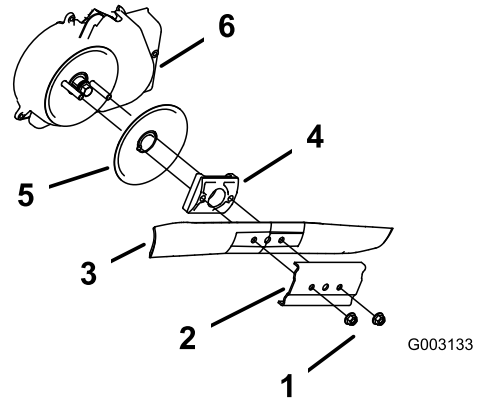
4. Remove the blade ([Figure 24](#)).
5. Install the new blade ([Figure 24](#)).
6. Install the stiffener you previously removed.
7. **Install the blade nuts and torque them to 20 to 37 N·m (15 to 27 ft-lb).**

# Cleaning the Blade-Brake-Clutch Shield

**Service Interval:** Every 25 hours

Clean the blade-brake-clutch shield yearly to prevent the blade from stalling while you mow.

1. Disconnect the spark-plug wire from the spark plug; refer to [Preparing for Maintenance \(page 21\)](#).
2. Tip the machine onto its side with the dipstick down.
3. Remove the 2 blade nuts and the stiffener ([Figure 25](#)).



**Figure 25**

- |               |                              |
|---------------|------------------------------|
| 1. Blade nuts | 4. Blade driver              |
| 2. Stiffener  | 5. Disk                      |
| 3. Blade      | 6. Blade-brake-clutch shield |

4. Remove the blade ([Figure 25](#)).
5. Remove the blade driver and disk ([Figure 25](#)).
6. Remove the blade-brake-clutch shield ([Figure 25](#)).
7. Brush or blow out debris from the inside of the shield and around all the parts.
8. Install the blade-brake-clutch shield that you previously removed.
9. Install the blade driver and disk that you previously removed.
10. Install the blade and the stiffener that you previously removed ([Figure 25](#)).
11. Install the blade nuts and torque them to 20 to 37 N·m (15 to 27 ft-lb).

# Adjusting the Self-Propel Drive

## For Self-Propel-Drive Models Only

Whenever you install a new self-propel cable or if the self-propel drive is out of adjustment, adjust the self-propel drive.

1. Turn the adjustment nut counterclockwise to loosen the cable adjustment (Figure 26).

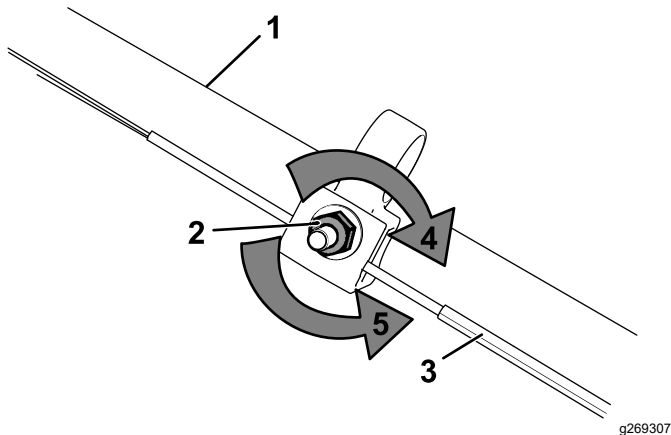


Figure 26

- |                            |  |
|----------------------------|--|
| 1. Handle (left side)      | 4. Turn the nut clockwise to tighten the adjustment.       |
| 2. Adjustment nut          | 5. Turn the nut counterclockwise to loosen the adjustment. |
| 3. Self-propel-drive cable |  |

2. Adjust the tension on the cable (Figure 26) by pulling it back or pushing it forward and holding that position.

**Note:** Push the cable toward the engine to increase the traction; pull the cable away from the engine to decrease the traction.

3. Turn the adjustment nut clockwise to tighten the cable adjustment.

**Note:** Tighten the nut firmly with a socket or wrench.

# Storage

Store the machine in a cool, clean, dry place.

## Storage Safety

Always shut off the machine, wait for all moving parts to stop, and allow the machine to cool before adjusting, servicing, cleaning, or storing it.

## Preparing the Machine for Storage

1. On the last refueling of the year, add fuel stabilizer (such as Toro Premium Fuel Treatment) to the fuel as directed on the label.
2. Dispose of any unused fuel properly. Recycle it according to local codes or use it in your automobile.

**Important:** Old fuel in the fuel tank is the leading cause of hard starting. Do not store the fuel without fuel stabilizer more than 30 days, and do not store stabilized fuel beyond the duration recommended by the fuel-stabilizer manufacturer.

3. Run the machine until the engine shuts off from running out of fuel.
4. Start the engine again and allow it to run until it shuts off. When you can no longer start the engine, it is sufficiently dry.
5. Disconnect the wire from the spark plug and connect the wire to the retaining post (if equipped).
6. Remove the spark plug, add 30 ml (1 fl oz) of engine oil through the spark-plug hole, and pull the starter rope slowly several times to distribute oil throughout the cylinder to prevent cylinder corrosion during the off-season.
7. Loosely install the spark plug.
8. Tighten all nuts, bolts, and screws.

## Removing the Machine from Storage

1. Check and tighten all fasteners.
2. Remove the spark plug and spin the engine rapidly by pulling the recoil-start handle to blow the excess oil from the cylinder.
3. Install the spark plug and tighten it with a torque wrench to 20 N·m (15 ft-lb).



4. Perform any maintenance procedures; refer to [Preparing for Maintenance \(page 21\)](#).
5. Check the engine-oil level; refer to [Checking the Engine-Oil Level \(page 11\)](#).
6. Fill the fuel tank with fresh fuel; refer to [Filling the Fuel Tank \(page 10\)](#).
7. Connect the wire to the spark plug.

**Notes:**

**Notes:**

# California Proposition 65 Warning Information

## What is this warning?

You may see a product for sale that has a warning label like the following:



**WARNING: Cancer and Reproductive Harm—[www.p65Warnings.ca.gov](http://www.p65Warnings.ca.gov).**

## What is Prop 65?

Prop 65 applies to any company operating in California, selling products in California, or manufacturing products that may be sold in or brought into California. It mandates that the Governor of California maintain and publish a list of chemicals known to cause cancer, birth defects, and/or other reproductive harm. The list, which is updated annually, includes hundreds of chemicals found in many everyday items. The purpose of Prop 65 is to inform the public about exposure to these chemicals.

Prop 65 does not ban the sale of products containing these chemicals but instead requires warnings on any product, product packaging, or literature with the product. Moreover, a Prop 65 warning does not mean that a product is in violation of any product safety standards or requirements. In fact, the California government has clarified that a Prop 65 warning "is not the same as a regulatory decision that a product is 'safe' or 'unsafe.'" Many of these chemicals have been used in everyday products for years without documented harm. For more information, go to <https://oag.ca.gov/prop65/faqs-view-all>.

A Prop 65 warning means that a company has either (1) evaluated the exposure and has concluded that it exceeds the "no significant risk level"; or (2) has chosen to provide a warning based on its understanding about the presence of a listed chemical without attempting to evaluate the exposure.

## Does this law apply everywhere?

Prop 65 warnings are required under California law only. These warnings are seen throughout California in a wide range of settings, including but not limited to restaurants, grocery stores, hotels, schools, and hospitals, and on a wide variety of products. Additionally, some online and mail order retailers provide Prop 65 warnings on their websites or in catalogs.

## How do the California warnings compare to federal limits?

Prop 65 standards are often more stringent than federal and international standards. There are various substances that require a Prop 65 warning at levels that are far lower than federal action limits. For example, the Prop 65 standard for warnings for lead is 0.5 µg/day, which is well below the federal and international standards.

## Why don't all similar products carry the warning?

- Products sold in California require Prop 65 labelling while similar products sold elsewhere do not.
- A company involved in a Prop 65 lawsuit reaching a settlement may be required to use Prop 65 warnings for its products, but other companies making similar products may have no such requirement.
- The enforcement of Prop 65 is inconsistent.
- Companies may elect not to provide warnings because they conclude that they are not required to do so under Prop 65; a lack of warnings for a product does not mean that the product is free of listed chemicals at similar levels.

## Why does Toro include this warning?

Toro has chosen to provide consumers with as much information as possible so that they can make informed decisions about the products they buy and use. Toro provides warnings in certain cases based on its knowledge of the presence of one or more listed chemicals without evaluating the level of exposure, as not all the listed chemicals provide exposure limit requirements. While the exposure from Toro products may be negligible or well within the "no significant risk" range, out of an abundance of caution, Toro has elected to provide the Prop 65 warnings. Moreover, if Toro does not provide these warnings, it could be sued by the State of California or by private parties seeking to enforce Prop 65 and subject to substantial penalties.