

ASSEMBLY INSTRUCTIONS

STORAGEMASTER® Heavy-Duty Rolling Work Benches - Models 53 - 59 & Model 62 WAR WAGON® Rolling Work Bench

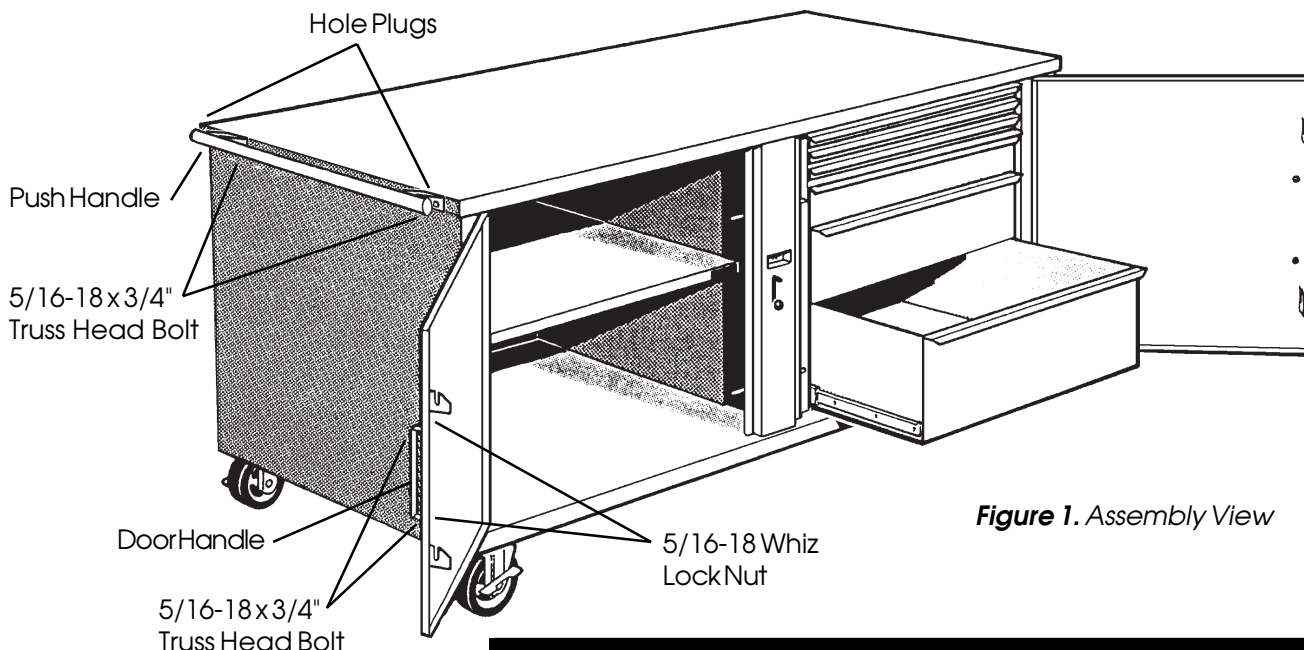


Figure 1. Assembly View

IMPORTANT BEFORE YOU BEGIN

Read these instructions and warnings completely before installation.

TOOLS REQUIRED

- Rubber Mallet
- 1/2" Socket (3/8" drive)
- 3/8" Medium Extension
- 3/8" Ratchet Wrench
- Screwdriver, common
- Screwdriver, phillips

PARTS LIST

- Work Bench Cabinet
- Handle Kit

55-59 HANDLE KIT

- 1 - Push Handle
- 2 - Door Handles
- 6 - 5/16-18 x 3/4" Bolt, Truss Hd.
- 4 - 5/16-18 Hex Whiz Nut
- 2 - Hole Plugs
- 1 - Lift Knob

62 HANDLE KIT

- 1 - Push Handle
- 6 - Door Handles
- 14 - 5/16-18 x 3/4" Bolt, Truss Hd.
- 12 - 5/16-18 Hex Whiz Nut
- 2 - Hole Plugs
- 2 - Lift Knob

⚠ DANGER

- Do not put fuels, flammables, explosives or hazardous materials inside these products.
- Gasoline, solvents, gun powder or other munitions, dynamite, propane, acetylene or other such products can explode if stored inside these products.
- Use these products **ONLY** for storing and transporting electric or hand tools and equipment, and other similar materials.
- Failure to follow these warnings or modification or other uses of these products could result in death, serious injury or property damage.

CAUTION

Caster Brakes are not suitable for keeping units in place when transporting. Secure by another method. Do not use casters on rough or uneven surfaces. Do not tow caster mounted boxes.

⚠ WARNING

Black door knob must be latched in the closed position when moving this product, so doors and drawers do not open on inclines, which can cause serious personal injury or property damage.

ASSEMBLY INSTRUCTIONS

1. Remove the handle kit from the cabinet. Attach the Door Handles (*Figure 1.*). Insert one Hole Plug into each end of the Push Handle then attach the handle to the end with the swivel casters.

2. Thread the black lift knob into the bottom of the slot in door centerpost.

3. WATCHMAN® III Lock System -

IMPORTANT: Carefully follow the separate instructions (see inside of door) which will guide you to a proper lock installation.

4. Remove the tape from the swivel casters. Using a mechanical lifting device, raise the cabinet slightly, then knock the honeycomb blocks off of the cabinet bottom using a rubber mallet.

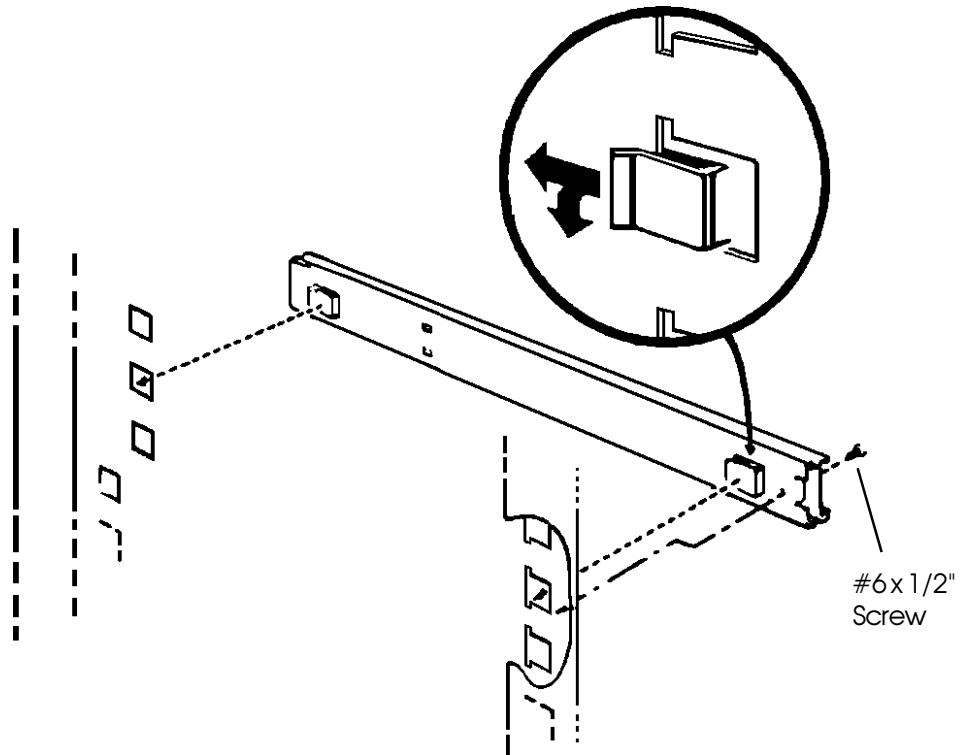


Figure 2. Upper Drawer Slide Installation

Drawer Installation

Two types of drawer and drawer slides are available for Models 55 & 57. The upper three positions will receive three 1" drawers or one 1" and one 2-1/2" drawer, both with regular duty slides. The six lower positions will receive 2-1/2", 6", or 9-1/2" 12 gauge drawers with heavy-duty slides.

Upper Drawer Installation (three upper positions)

Take one slide (*Figure 2.*) and insert the clips (Inset) into the front and rear notches of the drawers support panel. Push the slide to the rear and down. Secure slide with a screw through end access hole in the slide.

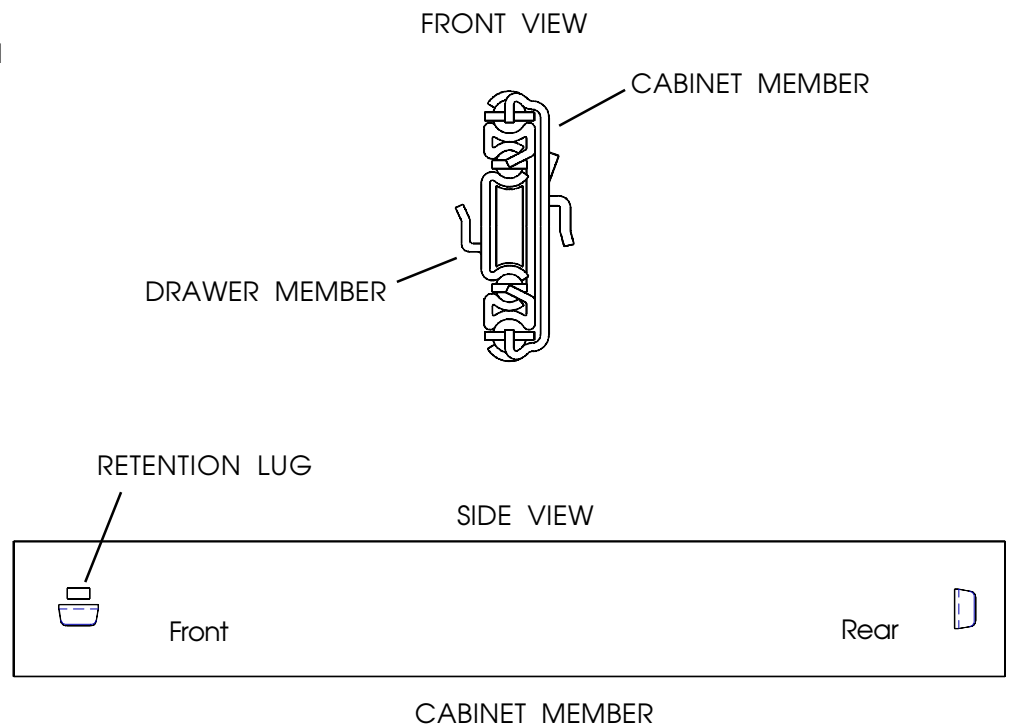


Figure 3. Installing Lower Drawers

Lower Drawer Installation (six lower positions)

1. Take one heavy duty slide and insert rear clip into desired rear notch, and lower front clip into front notch (See Figure 3.).

2. To install a drawer, simply insert the drawer slide into the cabinet side and close the drawer completely. The mechanism will automatically latch.

DRAWER REMOVAL

To remove a drawer, pull the drawer out until it stops. Notice the locking levers located inside the track that is attached to the drawer. Lift the left lever (A) while pressing down on the right lever (B) (See Figure 4.). Pull the drawer clear on the slides.

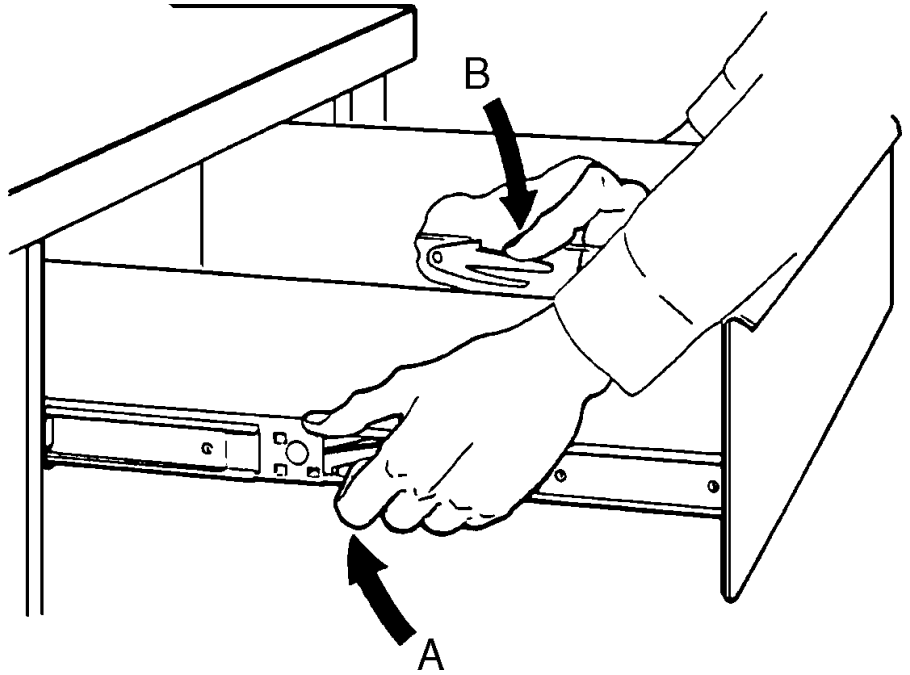


Figure 4. Drawer Removal

⚠ CAUTION

Pull out only one drawer at a time to avoid sudden tipping of product which could cause serious personal injury or property damage. For optimal weight distribution of unit, install larger drawers in lower positions of unit.

DRAWER SLIDE REMOVAL (CABINET MEMBER)

Upper Drawer Slides - remove the screw from the slide that holds it to the inner panel. Lift the slide up, then pull forwards.

Lower Drawer Slides (HD) - twist the top of the slide inward while lifting and pulling forward.

DRAWER ARRANGEMENTS

Figure your drawer arrangement from the table below:

1" deep drawer requires 1 notch
2-1/2" deep drawer requires 2 notches
2-1/2" deep (HD) drawer req. 1 notch
6" deep (HD) drawer req. 2 notches
9-1/2" deep (HD) drawer req. 3 notches

You can assemble any combination of (HD) drawers as long as you do not use any more than six notches.

WEIGHT CAPACITIES

The following weights are the load ratings for the drawers:

1"	97 lbs.
2-1/2"	94 lbs.
2-1/2" (H.D.)	180 lbs.
6" (H.D.)	172 lbs.
9-1/2" (H.D.)	166 lbs.

KNAACK LLC LIMITED WARRANTY FOR KNAACK® PRODUCTS

The following limited warranty applies to all KNAACK® branded products for the warranty period set forth below. If you have any questions or need assistance regarding the warranty of your product, please call our customer service department: (800) 456-7865, 8:00 am - 4:30 pm CST.

KNAACK® Products - Limited Warranty

Knaack LLC, located at 420 E. Terra Cotta Avenue, Crystal Lake, IL 60014 ("Manufacturer") warrants to the original purchaser only, subject to the exclusions described below, that its KNAACK® branded products (each a "KNAACK® Product") will be free from defects in material and workmanship for a period of three (3) years from the date of purchase. This limited warranty terminates if the original purchaser transfers the KNAACK® Product to any other person.

What is Not Covered

This limited warranty does not extend to and expressly excludes:

- Losses or damages to the KNAACK® Product which are expected to occur during the normal course of its use, including without limitation, normal wear and tear, (as determined by the Manufacturer in its sole and absolute discretion), cosmetic rust, scratches, dents or comparable and reasonable expected losses or damages.
- Losses or damages to the KNAACK® Product resulting from conditions beyond the Manufacturer's control including without limitation, misuse, accident, abuse, neglect, negligence (other than Manufacturer's), overloading, unauthorized modification or alteration, use beyond rated capacity, or failure to install, maintain, assemble, mount or apply the KNAACK® Product in accordance with the Manufacturer's written instructions or guidelines as provided by Manufacturer to the original purchaser.
- Damage to the contents of the KNAACK® Product.

What We Will Do to Correct Problems

If a claim made during the Warranty Period is covered under this limited warranty, the Manufacturer or its authorized representative or local authorized dealer will, at the Manufacturer's sole option, (a) repair the defective portion of the KNAACK® Product or (b) replace the entire KNAACK® Product, or (c) a refund equal to the purchase price paid for the KNAACK® Product or a credit to be used toward the purchase of new KNAACK® Product. THE SOLE AND EXCLUSIVE REMEDY FOR BREACH OF THIS LIMITED WARRANTY SHALL BE LIMITED TO REPAIR, CORRECTION OR REPLACEMENT OF THE KNAACK® PRODUCT, OR REFUND OR CREDIT OF THE PURCHASE PRICE.

No Other Express Warranty Applies

This limited warranty is the sole and exclusive warranty provided to original purchasers of a KNAACK® Product identified above. No employee, agent, dealer, or other person is authorized to alter this limited warranty or make any other warranty on behalf of the Manufacturer. The terms of this limited warranty shall not be modified by the Manufacturer, the original owner, or their respective successors or assigns.

How to Notify Us

The original purchaser must promptly notify the Manufacturer upon its discovery that the KNAACK® Product contains a defect in materials or workmanship by calling the following number: (800) 456-7865. Notification must be made during the warranty period. In order for a warranty claim to be processed, a copy of the original sales receipt must be provided to the Manufacturer or at Manufacturer's instruction, to its authorized representative or local authorized dealer. The Manufacturer will determine, in its sole and absolute discretion whether the claim is covered or subject to the limitations or exclusions described in this limited warranty. The original purchaser may be asked to contact Manufacturer's authorized representative or local authorized dealer for further instructions on how to obtain the remedies available to it under this limited warranty. Repairs or modifications made to the KNAACK® Product by other than the Manufacturer, its authorized representative or local authorized dealer will nullify this limited warranty. Coverage under this limited warranty is conditioned at all times upon the original purchaser's compliance with these required notification and repair procedures.

Limitation of Liability

TO THE EXTENT PERMITTED BY LAW, IN NO EVENT SHALL THE MANUFACTURER BE LIABLE FOR ANY INCIDENTAL, SPECIAL, INDIRECT, OR CONSEQUENTIAL DAMAGES, INCLUDING ANY ECONOMIC LOSS, WHETHER RESULTING FROM NONPERFORMANCE, USE, MISUSE OR INABILITY TO USE THE KNAACK® PRODUCT OR THE MANUFACTURER'S NEGLIGENCE. SELLER SHALL NOT BE LIABLE FOR DAMAGES CAUSED BY DELAY IN PERFORMANCE AND IN NO EVENT, REGARDLESS OF THE FORM OF THE CLAIM OR CAUSE OF ACTION (WHETHER BASED IN CONTRACT, INFRINGEMENT, NEGLIGENCE, STRICT LIABILITY, OTHER TORT OR OTHERWISE), SHALL MANUFACTURER'S LIABILITY TO BUYER AND/OR ITS CUSTOMERS EXCEED THE PRICE PAID BY THE ORIGINAL OWNER FOR THE KNAACK® PRODUCT. The term "consequential damages" shall include, but not be limited to, loss of anticipated profits, business interruption, loss of use or revenue, cost of capital or loss or damage to property or equipment.

Some states do not allow the exclusion or limitation of incidental or consequential damages, so the above limitation may not apply to you.

This limited warranty gives you specific legal rights, and you may also have other rights which vary from State to State.

Knaack LLC

ATTN: Warranty Claims

420 E. Terra Cotta Avenue Crystal Lake, IL 60014

www.knaack.com

If you have any questions, please call toll free at 1-800-456-7865.

©2013 Knaack LLC

