

**IMPORTANT:**  
Read Before Using

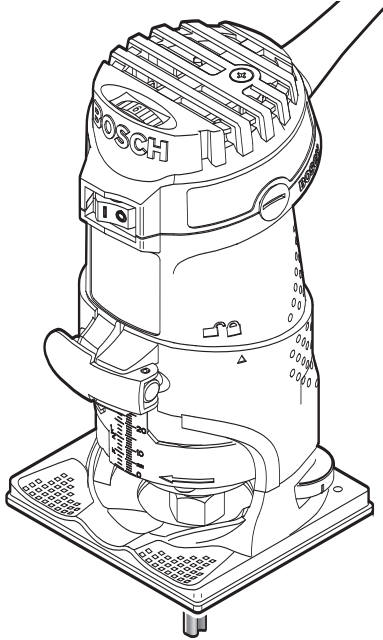
**IMPORTANT :**  
Lire avant usage

**IMPORTANTE:**  
Leer antes de usar



**Operating/Safety Instructions**  
**Consignes de fonctionnement/sécurité**  
**Instrucciones de funcionamiento y seguridad**

**PR10E**  
**PR20EVSK**  
**PR20EVSNK**



**BOSCH**

**Call Toll Free**  
**for Consumer Information**  
**& Service Locations**

**Pour renseignement des**  
**consommateurs et centres**  
**de service, appelez au**  
**numéro gratuit :**

**Llame gratis para**  
**obtener información**  
**para el consumidor y**  
**ubicaciones de servicio**

**1-877-BOSCH99 (1-877-267-2499) [www.boschtools.com](http://www.boschtools.com)**

**For English**  
**See page 2**

**Parlez-vous français?**  
**Voir page 22**

**¿Habla español?**  
**Ver página 42**

## General Safety Rules

**⚠ WARNING** Read all instructions. Failure to follow all instructions listed below may result in electric shock, fire and/or serious injury. The term “power tool” in all of the warnings listed below refers to your mains-operated (corded) power tool or battery-operated (cordless) power tool.

### SAVE THESE INSTRUCTIONS

#### Work area safety

**Keep work area clean and well lit.** Cluttered or dark areas invite accidents.

**Do not operate power tools in explosive atmospheres, such as in the presence of flammable liquids, gases or dust.** Power tools create sparks which may ignite the dust or fumes.

**Keep children and bystanders away while operating a power tool.** Distractions can cause you to lose control.

#### Electrical safety

**Power tool plugs must match the outlet. Never modify the plug in any way. Do not use any adapter plugs with earthed (grounded) power tools.** Unmodified plugs and matching outlets will reduce risk of electric shock.

**Avoid body contact with earthed or grounded surfaces such as pipes, radiators, ranges and refrigerators.** There is an increased risk of electric shock if your body is earthed or grounded.

**Do not expose power tools to rain or wet conditions.** Water entering a power tool will increase the risk of electric shock.

**Do not abuse the cord. Never use the cord for carrying, pulling or unplugging the power tool. Keep cord away from heat, oil, sharp edges or moving parts.** Damaged or entangled cords increase the risk of electric shock.

**When operating a power tool outdoors, use an extension cord suitable for outdoor use.** Use of a cord suitable for outdoor use reduces the risk of electric shock.

**Do not use AC only rated tools with a DC power supply.** While the tool may appear to work, the electrical components of the AC rated tool are likely to fail and create a hazard to the operator.

**If operating the power tool in damp locations is unavoidable a Ground Fault Circuit Interrupter (GFCI) must be used to supply the power to your tool.** GFCI and personal protection devices like electrician's rubber gloves and footwear will further enhance your personal safety.

#### Personal safety

**Stay alert, watch what you are doing and use common sense when operating a power tool. Do not use a power tool while you are tired or under the influence of drugs, alcohol or medication.** A moment of inattention while operating power tools may result in serious personal injury.

**Use safety equipment. Always wear eye protection.** Safety equipment such as dust mask, non-skid safety shoes, hard hat, or hearing protection used for appropriate conditions will reduce personal injuries.

**Avoid accidental starting. Ensure the switch is in the off-position before plugging in.** Carrying power tools with your finger on the switch or plugging in power tools that have the switch on invites accidents.

**Remove any adjusting key or wrench before turning the power tool on.** A wrench or a key left attached to a rotating part of the power tool may result in personal injury.

**Do not overreach. Keep proper footing and balance at all times.** This enables better control of the power tool in unexpected situations.

**Dress properly. Do not wear loose clothing or jewelry. Keep your hair, clothing and gloves away from moving parts.** Loose clothes, jewelry or long hair can be caught in moving parts.

**If devices are provided for the connection of dust extraction and collection facilities, ensure these are connected and properly used.** Use of these devices can reduce dust-related hazards.

**Keep handles dry, clean and free from oil and grease.** Slippery hands cannot safely control the power tool.

### **Power tool use and care**

**Do not force the power tool. Use the correct power tool for your application.** The correct power tool will do the job better and safer at the rate for which it was designed.

**Do not use the power tool if the switch does not turn it on and off.** Any power tool that cannot be controlled with the switch is dangerous and must be repaired.

**Disconnect the plug from the power source and/or the battery pack from the power tool before making any adjustments, changing accessories, or storing power tools.** Such preventive safety measures reduce the risk of starting the power tool accidentally.

**Store idle power tools out of the reach of children and do not allow persons unfamiliar with the power tool or these instructions to operate the power tool.** Power tools are dangerous in the hands of untrained users.

**Maintain power tools. Check for misalignment or binding of moving parts, breakage of parts and any other condition that may affect the power tools operation. If damaged, have the power tool repaired before use.** Many accidents are caused by poorly maintained power tools.

**Keep cutting tools sharp and clean.** Properly maintained cutting tools with sharp cutting edges are less likely to bind and are easier to control.

**Use the power tool, accessories and tool bits etc., in accordance with these instructions and in the manner intended for the particular type of power tool, taking into account the working conditions and the work to be performed.**

Use of the power tool for operations different from those intended could result in a hazardous situation.

**Use clamps or other practical way to secure and support the workpiece to a stable platform.** Holding the work by hand or against your body is unstable and may lead to loss of control.

### **Service**

**Have your power tool serviced by a qualified repair person using only identical replacement parts.** This will ensure that the safety of the power tool is maintained.

**Develop a periodic maintenance schedule for your tool. When cleaning a tool be careful not to disassemble any portion of the tool since internal wires may be misplaced or pinched or safety guard return springs may be improperly mounted.** Certain cleaning agents such as gasoline, carbon tetrachloride, ammonia, etc. may damage plastic parts.

## **SAVE THESE INSTRUCTIONS**

### **Safety Rules for Routers**

**Hold tool by insulated gripping surfaces when performing an operation where the cutting tool may contact hidden wiring or its own cord.** Contact with a "live" wire will make exposed metal parts of the tool "live" and shock the operator.

**Use clamps or other practical way to secure and support the workpiece to a stable platform.** Holding the work by hand or against your body is unstable and may lead to loss of control.

**If cutting into existing walls or other blind areas where electrical wiring may exist is unavoidable, disconnect all fuses or circuit breakers feeding this worksite.**

**Always make sure the work surface is free from nails and other foreign objects.** Cutting into a nail can cause the bit and the tool to jump and damage the bit.

**Never hold the workpiece in one hand and the tool in the other hand when in use.**

**Never place hands near or below cutting surface.** Clamping the material and guiding the tool with both hands is safer.

**Never lay workpiece on top of hard surfaces, like concrete, stone, etc...** Protruding cutting bit may cause tool to jump.

**Always wear safety goggles and dust mask. Use only in well ventilated area.**

Using personal safety devices and working in safe environment reduces risk of injury.

**After changing the bits or making any adjustments, make sure the collet nut and any other adjustment devices are securely tightened.** Loose adjustment device can unexpectedly shift, causing loss of control, loose rotating components will be violently thrown.

**Never start the tool when the bit is engaged in the material.** The bit cutting edge may grab the material causing loss of control of the cutter.

**The direction of feeding the bit into the material is very important and it relates to the direction of bit rotation. When viewing the tool from the top, the bit rotates clockwise. Feed direction of cutting must be counter-clockwise.** NOTE: inside and outside cuts will require different feed direction, refer to section on feeding the router. Feeding the tool in the wrong direction, causes the cutting edge of the bit to climb out of the work and pull the tool in the direction of this feed.

**Never use dull or damaged bits. Sharp bits must be handled with care.** Damaged bits can snap during use. Dull bits require more force to push the tool, possibly causing the bit to break.

**Never touch the bit during or immediately after the use.** After use the bit is too hot to be touched by bare hands.

**Never lay the tool down until the motor has come to a complete standstill.** The spinning bit can grab the surface and pull the tool out of your control.

**Never use bits that have a cutting diameter greater than the opening in the base.**


**⚠ WARNING** Some dust created by power sanding, sawing, grinding, drilling, and other construction activities contains chemicals known to cause cancer, birth defects or other reproductive harm. Some examples of these chemicals are:

- Lead from lead-based paints,
- Crystalline silica from bricks and cement and other masonry products, and
- Arsenic and chromium from chemically-treated lumber.

Your risk from these exposures varies, depending on how often you do this type of work. To reduce your exposure to these chemicals: work in a well ventilated area, and work with approved safety equipment, such as those dust masks that are specially designed to filter out microscopic particles.

## Symbols

**IMPORTANT:** Some of the following symbols may be used on your tool. Please study them and learn their meaning. Proper interpretation of these symbols will allow you to operate the tool better and safer.

Symbol	Name	Designation/Explanation
V	Volts	Voltage (potential)
A	Amperes	Current
Hz	Hertz	Frequency (cycles per second)
W	Watt	Power
kg	Kilograms	Weight
min	Minutes	Time
s	Seconds	Time
∅	Diameter	Size of drill bits, grinding wheels, etc.
n <sub>0</sub>	No load speed	Rotational speed, at no load
.../min	Revolutions or reciprocation per minute	Revolutions, strokes, surface speed, orbits etc. per minute
0	Off position	Zero speed, zero torque...
1, 2, 3, ... I, II, III,	Selector settings	Speed, torque or position settings. Higher number means greater speed
0 ◀	Infinitely variable selector with off	Speed is increasing from 0 setting
→	Arrow	Action in the direction of arrow
~	Alternating current	Type or a characteristic of current
≡	Direct current	Type or a characteristic of current
⎓	Alternating or direct current	Type or a characteristic of current
□	Class II construction	Designates Double Insulated Construction tools.
⊕	Earthing terminal	Grounding terminal
⚠	Warning symbol	Alerts user to warning messages
	Ni-Cad RBRC seal	Designates Ni-Cad battery recycling program



This symbol designates that this tool is listed by Underwriters Laboratories.



This symbol designates that this tool is listed to Canadian Standards by Underwriters Laboratories.



This symbol designates that this tool complies to NOM Mexican Standards.



This symbol designates that this tool is listed by the Canadian Standards Association.



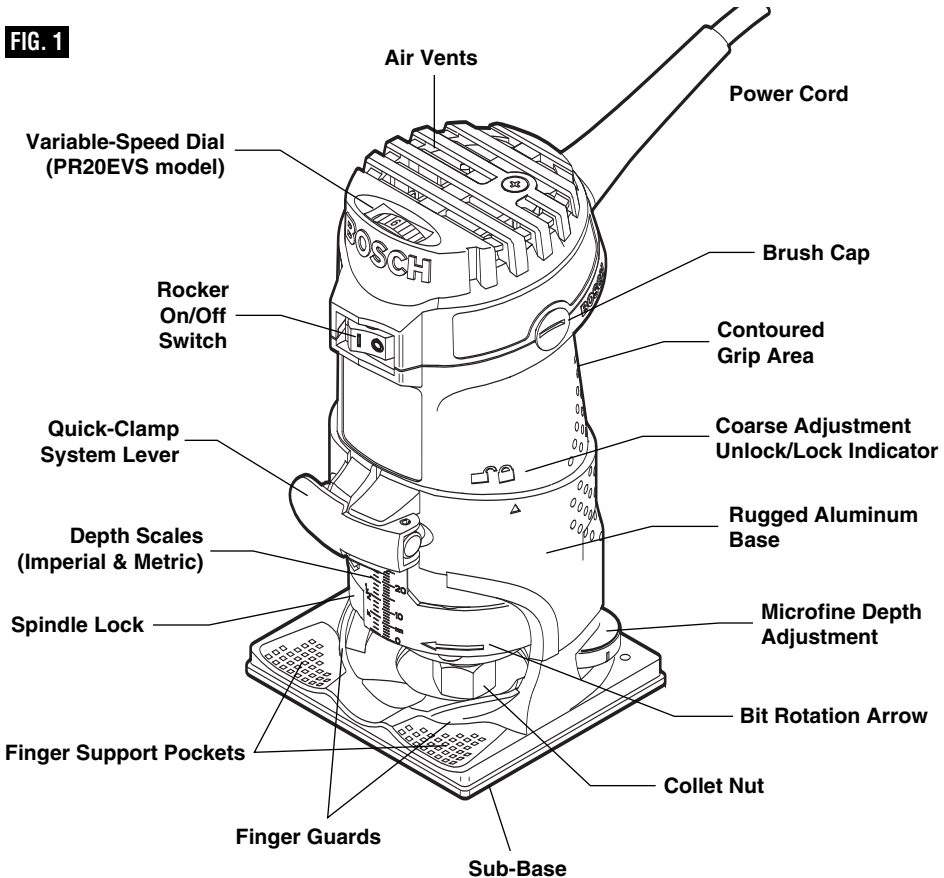
This symbol designates that this tool is listed by Underwriters Laboratories, and listed to Canadian Standards by Underwriters Laboratories.

## Functional Description and Specifications

**⚠ WARNING** Disconnect the plug from the power source before making any assembly, adjustments or changing accessories. Such preventive safety measures reduce the risk of starting the tool accidentally.

### Palm Router

**FIG. 1**



Model Number	PR10E	PR20EVS
Voltage	120V	120V
Frequency	~60Hz	~60HZ
Amp Rating	5.7	5.7
Operating Speed	no 35,000	no 16,000-35,000
Bit Capacity	1/4" shank	1/4" shank
Max. Cutter Diameter	*	*

\*Cutter diameter must be at least 1/4" smaller than opening for the bit and cutter.

## Assembly

### SELECTING BITS

Your Bosch palm router is designed for a wide variety of routing applications that use 1/4" shank bits. These include woodworking applications such as edge forming, grooving, and sign making. This router is also ideal for trimming laminates, phenolics, and other materials that have been bonded to a substrate edge trimming and overhang the substrated typically by about 1/8" (3 mm).

A wide assortment of router bits with different profiles are available as accessories. Only use good quality bits.

**⚠ WARNING** To prevent personal injury, always remove the plug from power source before removing or installing bits or accessories.

#### Installing a Router Bit

1. Lay router on its side with the backside of base resting on the bench. The router's top has a flat design so the router can be stood on end during bit changes, if preferred.
2. Press spindle lock to prevent rotation of collet chuck. **NOTE:** it may be necessary to rotate collet nut to engage spindle lock (Fig. 2).\*
3. Next, use the collet wrench to loosen the collet chuck assembly in counter-clockwise direction (viewed from bottom of router).
4. Insert the shank of the router bit into the collet chuck assembly as far as it will go, then back the shank out until the cutters are approximately 1/8" to 1/4" away from the collet nut face.
5. With the router bit inserted and the spindle lock engaged, use the collet wrench to firmly tighten the collet chuck assembly in a clockwise direction (viewed from bottom of router) (Fig. 3).\*

To ensure proper gripping of the router bit and minimize run-out, the shank of the router bit must be inserted at least 5/8".

\*As an alternative to the spindle lock, a thin 10mm wrench can be used on the 'flats' of the spindle.

**⚠ WARNING** Cutter diameter must be at least 1/4" smaller than opening for the bit and cutter.

To prevent damage to tool, do not tighten collet without a bit.

FIG. 2

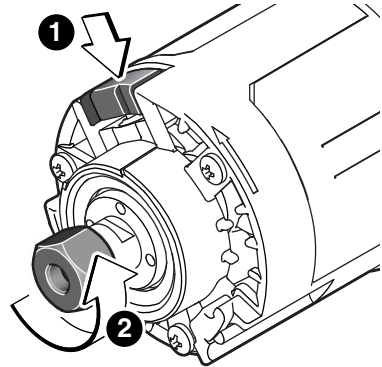
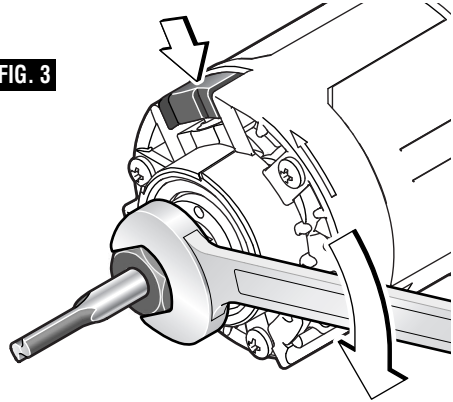


FIG. 3



**NOTE:** The bit shank and chuck should be clean and free of dust, wood, residue and grease before assembling.

#### Removing the Router Bit

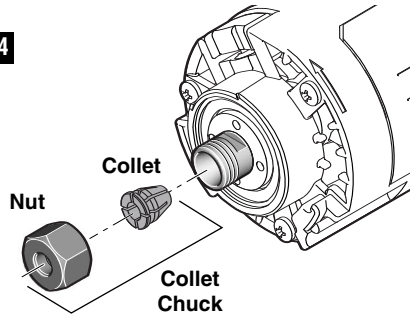
1. Press spindle lock to prevent rotation of collet chuck, and turn the collet chuck assembly in a counter-clockwise direction.
2. Once the collet chuck assembly is loosened, continue to turn the collet chuck assembly until it pulls the collet free from the spindle, and the router bit can be removed.

**NOTE:** The collet chuck is self-extracting; it is NOT necessary to strike the collet chuck to free the router bit.

## COLLET CHUCK CARE

With the router bit removed, continue to turn the collet chuck counter-clockwise until it is free of the shaft. To assure a firm grip, occasionally blow out the collet chuck with compressed air, and clean the taper in the armature assembly shaft with a tissue or fine brush. The collet chuck is made up of two component parts that snap together (Fig. 4); check to see that the collet is properly seated in the collet chuck nut and lightly thread the collet chuck back onto the armature shaft. Replace worn or damaged collet chucks immediately.

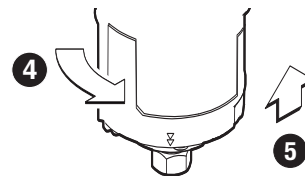
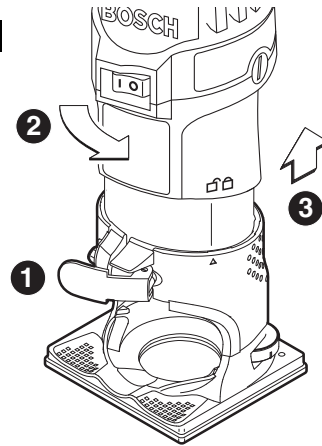
**FIG. 4**



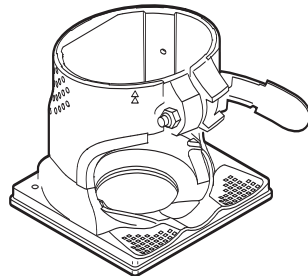
## REMOVING MOTOR FROM BASE

1. Open the clamping lever (Fig. 5).
2. Turn the motor so that the single triangle on the base lines up with "unlocked" symbol on the motor. (Make sure that the indication the base is aligned with the line under the "unlocked" symbol on the motor. Otherwise, the router can be damaged.) (Fig. 5)
3. Pull the motor away from base until it stops (Fig. 5).
4. Turn motor counterclockwise until it stops (Fig. 6).
5. Pull motor out of base (Fig. 6).

**FIG. 5**



**FIG. 6**

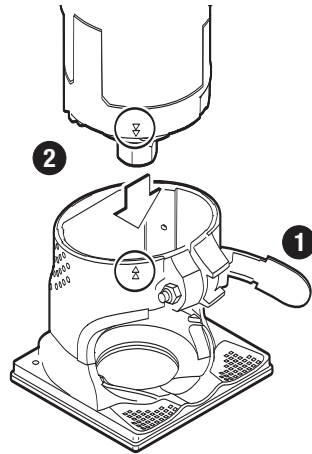




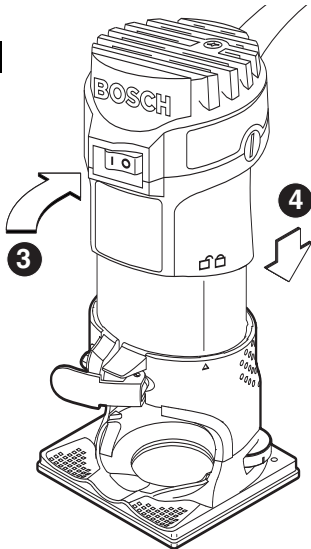
## INSTALLING THE MOTOR INTO BASE

1. Open the clamping lever (Fig. 7).
2. Align the double triangles on the base and motor then insert motor into base until it stops (Fig. 7).
3. Turn motor clockwise until single triangle lines up with "unlocked" symbol. (Make sure that the indication on the base is aligned with the line under the "unlocked" symbol on the motor. Otherwise, the router can be damaged.) (Fig. 8)
4. Move motor into base until the approximate desired depth has been reached. (Fig. 8)
5. Turn motor clockwise about 1/4" until single triangle lines up with "locked" symbol. (Fig. 9)
6. Close the clamping lever. Always make sure the motor sits tightly in the base. (The tension of the clamping lever can be changed by re-adjusting the nut.) (Fig. 9)

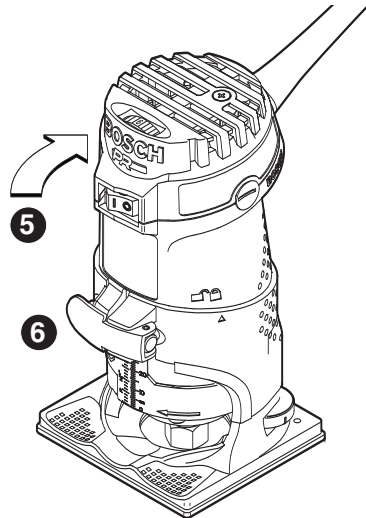
**FIG. 7**



**FIG. 8**



**FIG. 9**



## Operating Instructions

Bosch routers are designed for speed, accuracy and convenience in performing cabinet work, fluting, beading, cove-cutting, rounding edges, dovetailing, etc. They will enable you to accomplish inlay work, decorative edges and many types of special routing.

### SETTING THE DEPTH OF CUT

Adjust the depth-of-cut only when the motor is switched off.

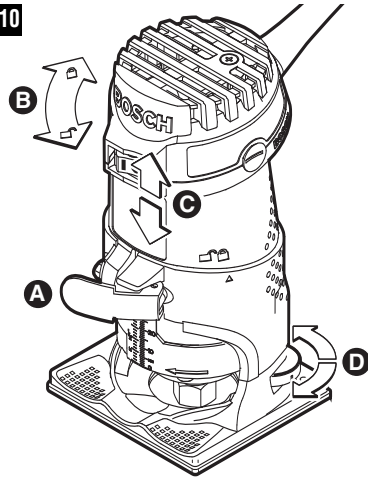
1. Install desired router bit.
2. Place the router on the workpiece.
3. Open the clamping lever. Fig. 10(A)
4. Turn the motor about 1/4" counterclockwise so that the single triangle on the base lines up with "unlocked" symbol on the motor. Fig. 10(B) (Make sure that the indication the base is aligned with the line under the "unlocked" symbol on the motor. Otherwise, the router can be damaged.)
5. Slowly lower the motor until the router bit touches the workpiece. Fig. 10(C)
6. Note the reading on the scale (below the clamp lever) and add the desired depth-of-cut to this value to determine the target scale value.
7. Lower the motor until the target scale value is reached. Fig. 10(C)
8. Turn motor clockwise about 1/4" until single triangle lines up with "locked" symbol. Fig. 10(B)
9. Close the clamping lever. Always make sure the motor is held tightly in the base. Fig. 10(A) (The tension of the clamping lever can be changed by re-adjusting the nut.)
10. Check the depth-of-cut and make fine adjustment, if necessary. (Note: the depth of the motor and bit may shift very slightly when the clamping lever is close.)
11. Make a trial cut to verify that the router is set to make the cut as desired.

### FINE DEPTH ADJUSTMENT

Adjust the depth-of-cut only when the motor is switched off.

1. Open the clamping lever. Fig. 10(A)
2. Adjust the desired depth-of-cut with the knurled wheel on back of base. Fig. 10(D)

FIG. 10



3. Rotate the knurled wheel clockwise to increase the routing depth, counterclockwise to decrease the cutting depth. Each complete rotation of the dial equals 1.25 mm (approximately 3/64").
4. Close the clamping lever. Fig. 10(A) Always make sure the motor is held tightly in the base. Re-adjusting the nut can change the tension of the clamping lever. (See "To Clamp Motor", below)
5. Check the depth-of-cut and make an additional fine adjustment, if necessary. (Note: the depth of the motor and bit may shift very slightly when the clamping lever is closed.)
6. Make a trial cut to verify that the router is set to make the cut as desired.

### TO CLAMP MOTOR

When final coarse and fine adjustments have been made, fasten the base clamp lever to secure adjustments. (If additional clamping force is desired: using a 8 mm wrench, rotate clamp nut clockwise SLIGHTLY (1/8 turn or less), then test clamp. Do not over-tighten.)

### DEEP CUTS

For deeper cuts, make several progressively deeper cuts by starting at one depth and then make several subsequent passes, increasing the cutting depth with each pass.

To be certain that your depth settings are as desired, you may want to make test cuts in scrap material before beginning work.

## ROCKER “ON/OFF” SWITCH

Your tool can be turned “ON” or “OFF” by the rocker switch located on the motor housing. One side of the switch is marked “I” for “ON”, and the other side of switch is marked “O” for “OFF”.

**TO TURN THE TOOL “ON”:** Push the side of the switch marked “I”.

**TO TURN THE TOOL “OFF”:** Push the side of the switch marked “O”.

## SOFT START FEATURE

Electronic feedback control minimizes torque twist customary in routers by limiting the speed at which motor starts.

## ELECTRONIC VARIABLE SPEED CONTROL (Model PR20EVS Only)

The electronic speed control feature allows motor speed to be matched to cutter size and material hardness for improved finish, extended bit life, and higher performance. Speed changes are achieved by rotating Control Dial RIGHT to increase speed, LEFT to decrease as indicated on housing (Fig. 1). Speed may be changed while tool is on. The reference numbers on the dial facilitate re-setting control to desired speed.

The speed chart indicates the relationship between settings and application, exact settings are determined by operator experience and preference. The bit manufacturer may also have a speed recommendation.

<u>DIAL SETTING</u>	<u>RPM</u>	<u>APPLICATION</u>
1	16000	} Larger-diameter bits and cutters.
2	18000	
3	20000	
4	22500	} Softwoods, plastics, laminates, smaller diameter bits and cutters
5	26500	
6	35000	

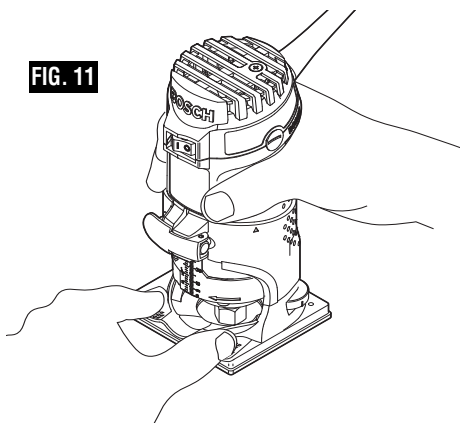
## CONSTANT RESPONSE™ CIRCUITRY

The router's Constant Response™ Circuitry monitors and adjusts power to maintain the desired RPM for consistent performance and control.

## FEEDING THE ROUTER

In addition to the main palm-grip area at the back of the motor housing and base, the base has Bosch-exclusive finger support

**FIG. 11**



pockets to provide additional stability for the router. The pockets feature finger guards to provide a barrier between the finger pockets and the bit area (Fig 11).

As seen from the top of the router, the bit turns clockwise and the cutting edges face accordingly. Therefore, the most efficient cut is made by feeding the router so that the bit turns into the work, not away. Figure 12 shows proper feed for various cuts. How fast you feed depends on the hardness of the material and the size of the cut. For some materials, it is best to make several cuts of increasing depth.

If the router is hard to control, heats up, runs very slowly or leaves an imperfect cut, consider these causes:

1. Wrong direction of feed — hard to control.
2. Feeding too fast — overloads motor.
3. Dull bit — overloads motor.
4. Cut is too large for one pass — overloads motor.
5. Feeding too slow — leaves friction burns on work.

Feed smoothly and steadily (do not force). You will soon learn how the router sounds and feels when it is working best.

Always hold the router off the work when turning the switch on or off. Contact the work with the router after the router has reached full speed, and remove it from the work before turning the switch off. Operating in this manner will prolong switch and motor life and will greatly increase the quality of your work.

## RATE OF FEED

When routing or doing related work in wood and plastics, the best finishes will result if the depth of cut and feed rate are regulated to keep the motor operating at high speed. Feed the router at a moderate rate. Soft materials require a faster feed rate than hard materials.

The router may stall if improperly used or overloaded. Reduce the feed rate to prevent possible damage to the tool. Always be sure the collet chuck is tightened securely before use. Always use router bits with the shortest cutting length necessary to produce the desired cut. This will minimize router bit run-out and chatter.

It may be necessary to make the cut in more than one pass with progressively deeper settings to avoid overloading the motor. If the bit cuts freely and the motor does not slow down, the cutting depth is generally correct.

## GUIDING THE ROUTER

The router can be guided through the work in any of several ways. The method you use depends, of course, on the demands of the particular job and on convenience.

For routing operations such as grooving or dadoing, it is often necessary to guide the tool in a line parallel to a straight edge. One method of obtaining a straight cut is to securely clamp a board or other straightedge to the work surface, and guide the edge of the router sub-base along this path (Fig. 13).

### PR002 STRAIGHT ROUTER GUIDE

(Included with PR20EVSK & PR20EVSNK, also available as optional accessory)

The router guide is an optional accessory that will guide the router parallel to a straight edge (Fig. 14).

The router guide is supplied in two part held together with a bolt, wing nut and washer. It also includes a wing screw and washer to fasten the guide to the router.

The guide also features a scale for accurately positioning the edge guide relative to the bit. With the guide installed and adjusted, the router should be fed normally, keeping the guide in contact with the edge of the workpiece at all times.

The router guide can also be positioned directly under the router base for operations where a cut is needed close to or at the edge of the work, such as when rounding off deck planks.

FIG. 12

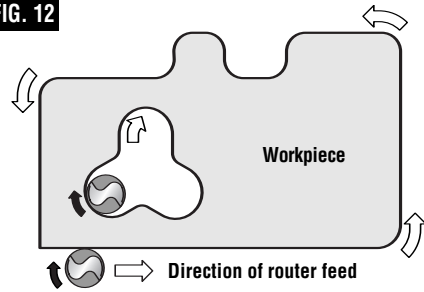


FIG. 13

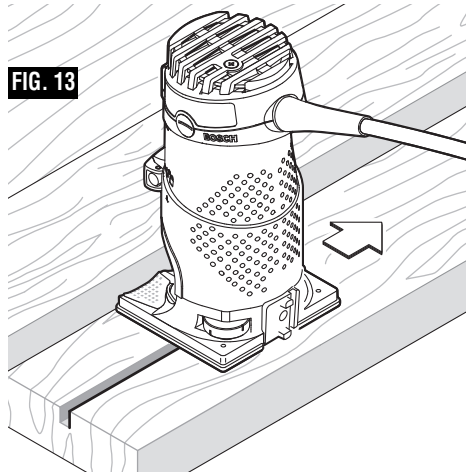
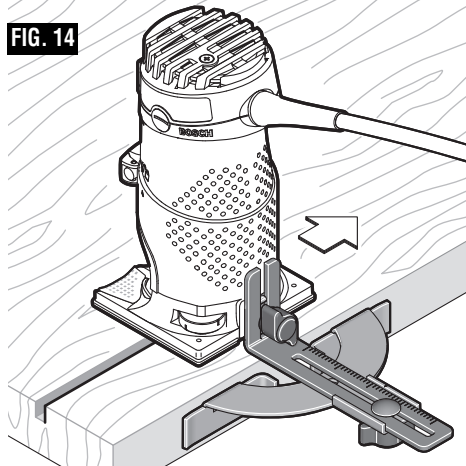


FIG. 14



## USING SELF-PILOTED BITS

Self-piloted bits have an integral round tip or ball bearing which rides against the work surface above or below the cutters to control horizontal cutting depth (Fig. 15). When using these bits, neither the roller guide or straight guide is required. When guiding against a laminated surface, use wax or other lubricant and do not apply excess pressure or the piloted end may mar the work. Bearing pilots must be kept clean and free of adhesive or other residue. Router bit bearings are sealed and permanently lubricated, and should be replaced when they no longer turn freely to avoid damaging the work surface.

### PR003 ROLLER/BUSHING GUIDE

(Included with PR20EVSNK, also available as optional accessory)

The optional PR003 Roller/Bushing Guide is used when edge-forming or trimming with unpiloted bits, non-bearing bits.

#### Attachment of Roller/Bushing Guide

The PR003 roller/bushing guide (Fig. 16) is attached using the wing screw and washer.

Adjustment of Roller/Bushing Guide

#### Vertical Adjustment:

1. Loosen the wing screw and adjust up or down as necessary to allow roller/bushing to ride on the intended guiding surface.
2. Tighten wing screw.

#### Horizontal Adjustment:

Whether making straight or bevel cuts, the width of material removed is determined by the distance between the front of the router bit's cutter and the front of the roller/bushing. Adjust the front of the roller/bushing as follows:

1. Loosen wing nut at bottom.
2. Rotate the wing nut on the back of the guide to move the roller/bushing in or out to create amount of cutter exposure needed to trim the laminate flush with the guiding surface or to create the desired bevel.
3. Be sure the bit clears the top of the roller/bushing guide by at least 1/8" (3 mm) to avoid damage.
4. Tighten wing nut on the bottom of the guide assembly

FIG. 15

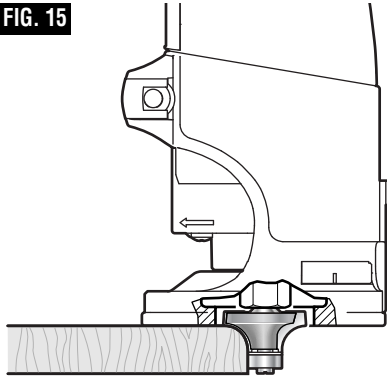
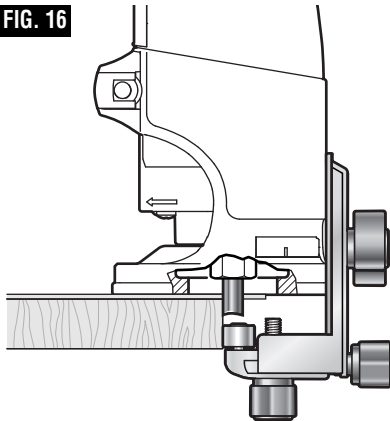


FIG. 16



5. Make a trial cut to check the setting and readjust as necessary.

#### Use of the Roller/Bushing Guide

1. With the guide installed and adjusted, the router should be fed normally, keeping the guide in contact with the edge of the workpiece at all times.
2. To maintain a consistent width of cut, a consistent angle must be maintained between the router and the workpiece.

## PR009 AND PR010 ROUND SUBBASES & USE OF TEMPLAT GUIDE BUSHINGS

(Available as optional accessories)

Optional large round subbases are available separately and allow various templet guide bushings to be used with the palm routers.

Templet guide bushings are used to guide the router to repeated make consistent openings and inlays using various templets (also referred to as patterns and jigs). Templets for standard routing applications are available commercially, such as the Bosch hinge templet kit; and templets for specialty applications are typically made by users for their specific needs.

The PR009 Round Subbase accepts the Bosch RA-Series Templet Guide Adapters.\*

The PR010 Round Subbase accepts threaded templet guide adapters

**\*Note:** The RA1100 Adapter for Threaded Templets allows use of conventional threaded templet guides with the PR009 Round Subbase.

### PR009 Attachment of Templet Guide and Round Subbase (Fig. 17)

1. Remove regular subbase
2. Insert templet guide into top of round subbase.
3. Loosely attach round subbase using panhead screws that come with that accessory.
4. Center the templet guide around the bit. (The optional Bosch RA1150 Centering Cone can be used to ensure that the templet guide is properly centered.)
5. Tighten the panhead screws to hold the templet guide and subbase in position.

### PR010 Attachment Round Subbase of Threaded Templet Guide (Fig. 18)

1. Remove regular subbase
2. Loosely attach round subbase using panhead screws that come with that accessory.
3. Attach the threaded templet guide by putting the templet guide through the bottom and attaching the ring from the top.
4. Center the templet guide around the bit. (The optional Bosch RA1150 Centering Cone can be used to ensure that the templet guide is properly centered.)

FIG. 17

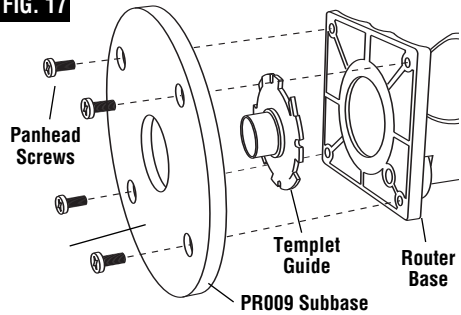


FIG. 18

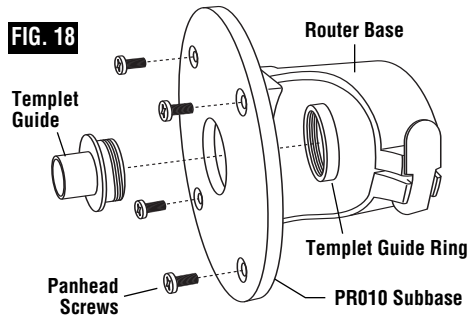
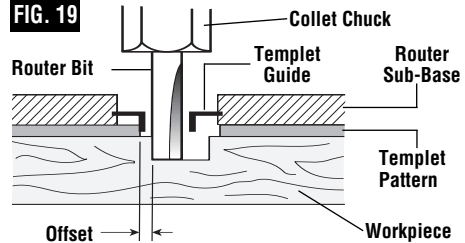


FIG. 19



5. Tighten the panhead screws to hold the templet guide and subbase in position.

### Creating Templets

Templet patterns can be made of plywood, hardboard, metal or even plastic. The design can be cut with a router, jigsaw, or other suitable cutting tool. Remember that the pattern will have to be made to compensate for the distance between the router bit and the templet guide (the "offset"), as the final workpiece will differ in size from the templet pattern by that amount, due to the bit position (Fig. 19).

## PR004 OFFSET BASE

(Included with PR20EVSNK. Also available as optional accessory)

The PR004 Offset Base is designed for routing in confined areas, especially for trimming laminates in areas that are inaccessible with the standard fixed base, especially locations that are close to adjacent vertical surfaces, such as the tops of already-installed counter backsplash backsplashes (Fig. 20).

The PR004 allows routing extremely close to vertical surface in front of tool, as close as 1/2" when 3/4" bit is used (Removal of black offset spindle cover further reduces distance from 3/4" bit and vertical surface to 3/8"). The 1-1/16" base opening makes it possible to use bits that have cutters as wide 13/16".

The PR004 can also be used to scribe the back of a new counter backsplash so that it will mate precisely with the wall against which it will rest (Fig. 21).

### Heat Build-Up

**⚠ WARNING** To reduce the risk of injury, do not use the offset base for more than 10 minutes continuously. Prolonged continuous use will result in the tool becoming hot to the touch.

The nature of a belt drive mechanism like the one in the PR004 Offset Base creates more heat than when the motor is used in its other bases. To help minimize heat build-up, the PR004 has been designed with large bearings, 25,000 RPM speed\*, specially-designed heat sinks, carefully-directed airflow and plastic heat shields. Depending on the application, the PR004 Offset Base can be used for up to about 10 minutes continuously before it will need to be left idle so that it can cool off.

\*13,000-RPM 25,000 when used with PR20EVE motor.

### Motor Installation

1. Remove collet from motor and install toothed drive pulley using collet wrench. Make sure that drive gear is fully tightened onto the motor's spindle. (Fig. 22)
2. The motor is then installed into the base according to the instructions on page 9.
3. Insert screwdriver (not included) through the U-shaped opening in the subbase to fit belt over drive pulley. (Fig. 23)

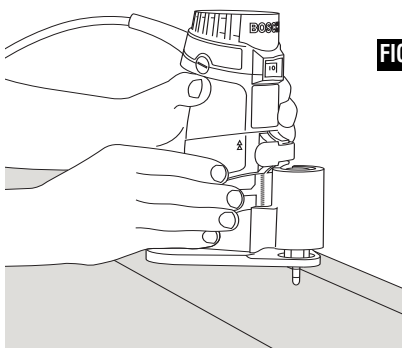


FIG. 20

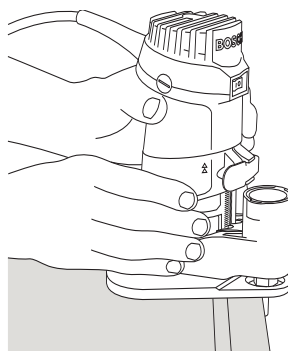


FIG. 21

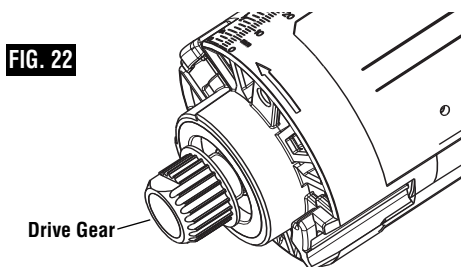


FIG. 22

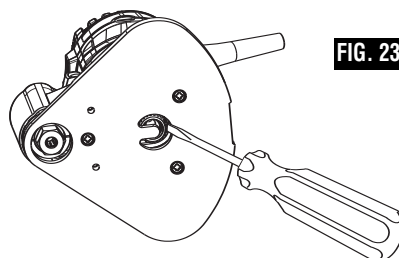


FIG. 23

### Installation of Bit

1. Insert bit to the desired depth as per the instructions on page 7.
2. Press large red spindle lock button on top of offset spindle (Fig. 24).
3. Tighten collet nut using the same collet wrench as is used on the motor's own collet nut. (The collet used on the PR004 is the same type of self-releasing collet used on the motor itself when used with the other bases.)
4. Make a trial cut to check the depth and readjust as necessary.

### Using the Offset Router

The principles of using the offset router are basically the same as for the regular router set-up (motor in fixed-base assembly), with the following differences

1. The offset router should be gripped with one hand gripping the motor gripping area and the other gripping resting on the top of the offset spindle holding the front of the motor (Fig. 20).
2. For routing backsplashes and other elevated workpieces, some installers mount the offset base to a wood block that matches the height of the laminated backsplash. This helps to maintain a consistent angle between the bit's cutter and the workpiece and to provide addition stability.

### Offset Base Roller/Bushing Guide

The PR004's roller/bushing guide is required when edge-forming or trimming with unplotted non-bearing bits.

#### Attachment of Roller/Bushing Guide

The PR004's roller/bushing guide is attached using two screws with a Phillips screwdriver (not included). Fig. 25

#### Adjustment of Roller/Bushing Guide

Whether making straight or bevel cuts, the width of material removed is determined by the distance between the front of the router bit's cutter and the front of the roller/bushing. Adjust the front of the roller/bushing as follows (Fig. 26):

1. Using a Phillips screwdriver, to adjust, loosen screw.
2. Rotate the knurled knob on back of the guide to move the roller/bushing in or out to create amount of cutter exposure needed to trim the laminate flush with the

FIG. 24

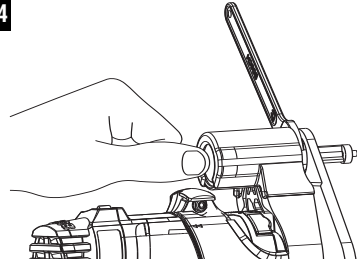


FIG. 25

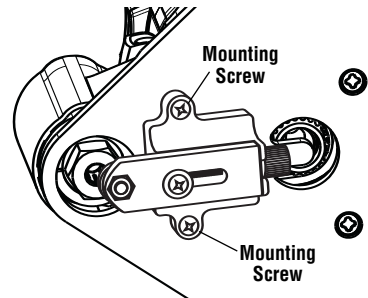
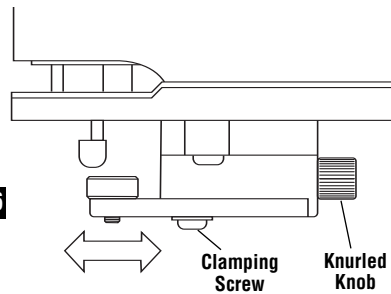


FIG. 26



guiding surface or to create the desired bevel.

3. Be sure the bit clears the top of the roller/bushing guide by at least 1/8" (3 mm) to avoid damage.
4. Tighten clamping screw using a Phillips screwdriver.
5. Make a trial cut to check the setting and readjust as necessary.

### Use of the PR004 with Roller/Bushing Guide

1. With the guide installed and adjusted, the router should be fed normally, keeping the guide in contact with the edge of the workpiece at all times.
2. To maintain a consistent width of cut, a consistent angle must be maintained between the router and the workpiece.



## PR005 TILT BASE

(Included with PR20EVSNK. Also available as optional accessory)

The PR005 Tilt Base (Fig. 27) is used for the following purposes:

- Trimming laminated edges at the point that they reach adjacent vertical surface, such as a kitchen counter's backsplash.
- Trimming special angles (Fig. 28)
- Making bevel cuts

The PR005 should always be used with a self-piloted or bearing bit to provide the necessary guidance.

### Motor Installation

The motor is installed according to the instructions on page 9.

### Angle Adjustment

The total tilt range is 75°, from 45° forward to 30° backward.

#### To adjust the angle (Fig. 29):

1. Loosen the two wing screws.
2. Adjust the angle as desired using the scale on the left side of the base. Note that there are detents at every 7.5°. Whenever possible, the base should be positioned with the motor tilted toward the closed end of the base.
3. Tighten the wing screws. Be careful not to over-tighten, or the base may be damaged.

### Depth Adjustment

The depth is adjusted according to the instructions on page 10.

### Using the Tilt Router

The principles of using the tilt router are basically the same as for the regular router set-up (motor in fixed-base assembly), with the following difference

1. The proper grip position depends on the angle of the cut and the tool. The router should be gripped with one hand gripping the motor and the other gripping the elsewhere on the back of the tool.

**⚠ WARNING** To reduce the risk of injury, never grip the base directly above or next to the exposed bit.

FIG. 27

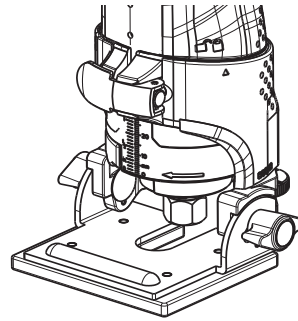


FIG. 28

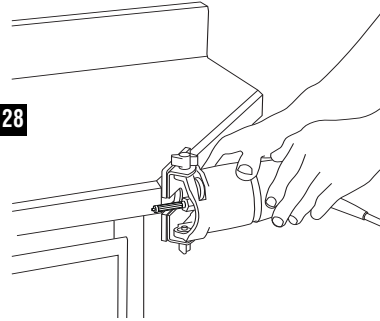
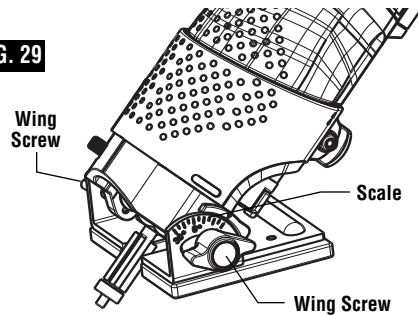


FIG. 29



2. When trimming edges while the bit is tilted toward the direction of feed, it is extremely important to keep the base square with the surface to be routed. If the tilt router is shifted in the direction of the surface it is riding on, the upper part of the cutter can dig far into the workpiece.

## PR006 UNDERSCRIBE ATTACHMENT

(Included with PR20EVSNK. Also available as optional accessory)

The PR006 Underscribe Attachment is used to create precision-fit seams between two sheets of laminate (Fig. 30), such as stile and rail constructions and very large surfaces. It is attached to the bottom of the PR001 Fixed Base.

### Installation (Fig. 31)

1. Remove rear screws used to hold subbase onto PR001 Fixed Base.
2. Attach infeed side of PR006 to the Fixed Base using hex screw\*
3. Insert eccentric adjuster into pocket on outfeed side of PR006.
4. Attach outfeed side of PR006 to the Fixed Base using hex screw\*

\*When used with PR007 Side-Handle Base, the longer set of attachment screws should be used.

### Bit Installation

- The recommend bit for use with the Underscribe Attachment is the Bosch 85213M with 1/8" cutting diameter.
- It should be installed according to the instructions on page 7.

### Bit Height Adjustment

After installing the bit, the height should be adjusted as follows:

1. Lower bit until it just enters the recess that is machined in the underscribe attachment's aluminum plate.
2. The tool is now ready for making a test cut.

### Front-to-Back Adjustment

If necessary, the cutting point can be adjusted front-to-back as follows (Fig. 32):

1. Loosen the two screws holding the aluminum plate.
2. Using the pin wrench, adjust the eccentric adjuster as follows:
  - For a tighter seam, turn the eccentric adjuster clockwise (as viewed from under the base)
  - For a looser seam, turn the eccentric adjuster counterclockwise, (as viewed from under the base)
3. Retighten the screws

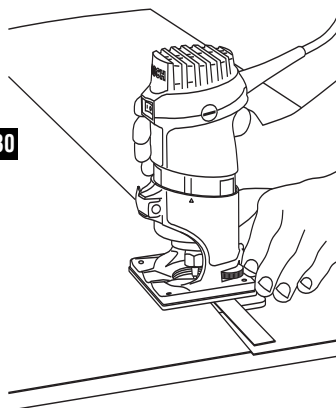


FIG. 30

FIG. 31

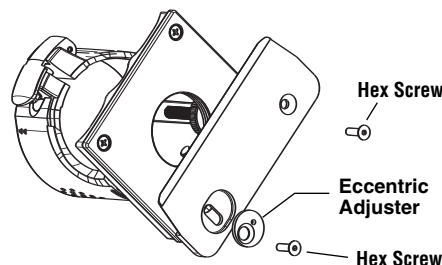
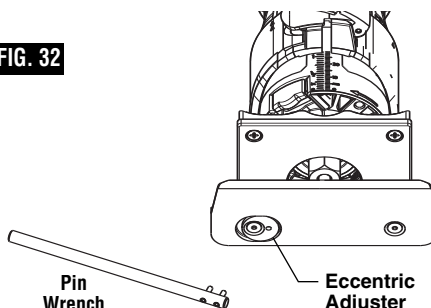


FIG. 32



4. Make a test cut
5. Repeat steps 1-4 as necessary

### Creating a Seam

1. To create a precision seam, make sure the guiding piece of laminate has a clean, straight edge, because it will serve as the guide for the underscribe attachment.
2. Contact cement should be applied to the substrate core material and the guiding piece of laminate up to 1" from its guiding edge.

3. The overlapping piece of laminate should overlap the guiding piece by about 1/2". (The overlapping sheet of laminate will then pass over the aluminum plate and be cut at the proper point by the router bit.)
4. Keep steady pressure on the tool so that the guiding edge of the base remains in contact with the fixed piece of laminate throughout the operation. This is especially important at the beginning and end of a cut.
5. It is also necessary to keep the laminate pressed down tightly near the seam to keep these chips from getting under the laminate. This is especially important on larger pieces of material. The optional PR007 Side Handle Subbase includes a dust extraction hood port that connects to a vacuum hose and helps to keep chips from getting under the laminate.

## PR007 SIDE-HANDLE SUBBASE

(Available as optional accessory)

See PR007 instruction sheet for complete information about this accessory.

The PR007 Side-Handle Subbase and Dust Extraction Kit (Fig. 33) is a versatile accessory that provides several useful features:

- Additional means of supporting the router
- Ability to use various templet guide bushings
- Dust extraction and collection capability

### PR007 Attachment to Palm Router

1. Remove regular subbase
2. Attach side handle subbase with the panhead screws that are included with it.

### Additional Means of Supporting the Router

The knob handle on the PR007 subbase provides an additional gripping point for the palm router / side-handle subbase assembly. It is designed for use when the palm routers are being used in applications that are wide enough that the knob sits over the workpiece. Holding the knob and keeping it pressed down over the workpiece helps keep the routers' angle to the workpiece unchanged, and is especially helpful when routing edges.

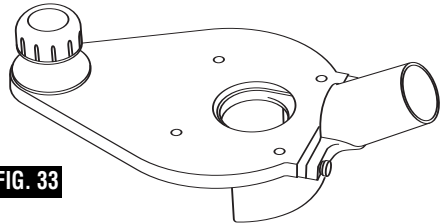
### Templet Guide Usage

The PR007 Side-Handle Subbase accepts the Bosch RA-Series Templet Guide Adapters.

### Attachment of Templet Guide to Side-Handle Subbase

1. Remove regular subbase
2. Insert templet guide into top of round subbase.
3. Loosely attach side handle subbase using

5. It is also necessary to keep the laminate pressed down tightly near the seam to keep these chips from getting under the laminate. This is especially important on larger pieces of material. The optional PR007 Side Handle Subbase includes a dust extraction hood port that connects to a vacuum hose and helps to keep chips from getting under the laminate.



**FIG. 33**

panhead screws that come with that accessory.

4. Center the templet guide around the bit. (The optional Bosch RA1150 Centering Cone can be used to ensure that the templet guide is properly centered.)
5. Tighten the panhead screws to hold the templet guide and subbase in position.

**Note:** Conventional threaded templet guides can be used with the PR007 if the optional RA1100 Adapter for Threaded Templets is also used.

### Attachment of PR006 Underscribe Attachment

The PR006 Underscribe Attachment can also be used with the palm router and the side-handle subbase.

**Note:** When the underscribe attachment is used with the side-handle subbase, the longer set of attachment screws should be used.

Please refer to PR006 Underscribe Attachment section for further instructions.

### Dust Extraction & Collection Capability

If you have a shop vacuum system, you can connect it to the PR007's dust extraction

attachment to remove routing dust and debris for enhanced utility, visibility and accuracy.

The dust collection capability of the PR007 can be used in both common types of router applications:

1. Routing on flat surfaces
2. Edge-forming

**⚠ WARNING** To reduce the risk of injury, do not reach in area of the bit while the router is ON or plugged in. To avoid entangling hoses, do not use this dust extraction hood at the same time as any other dust extraction hood.

**Dust Extraction when Routing on Flat Surfaces**

Attach the dust port on the back end of the subbase.

1. Position the port on the backside of subbase

2. Affix using two thumbscrews included.

**Dust Extraction when Edge-forming**

Attach the dust hood and port on the back end of the subbase.

1. Position the hood on the backside of subbase
2. Position the port on the backside of the dust hood.
3. Affix using two thumbscrews included.

**Vacuum Hose Compatibility**

The dust port is sized to accept 35mm vacuum hoses. The PR007 includes the VAC002 adapter that will allow the port to be connected to 1-1/4" and 1-1/2" vacuum hoses. An adapter to connect the hood to 2-1/2" hoses is also available separately.

**PR008 BASE COVER**

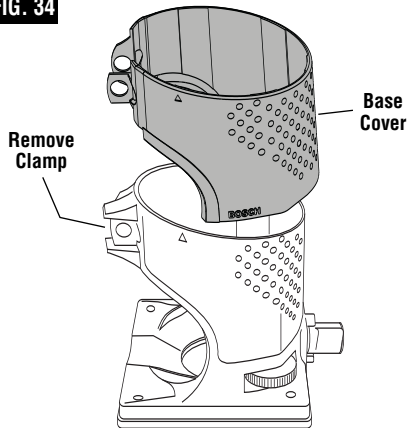
(Included with PR004 Offset Base. Also available as optional accessory)

The optional PR008 Base Cover (Fig. 34) is available to provide insulation from tool heat in continuous and/or high-usage applications. It can be used on the PR001 Fixed Base, PR005 Tilt Base, and PR004 Offset Base (with which it is standard equipment).

**Installation of Base Cover**

1. Remove clamp.
2. Slide cover over the top of the base and into position
3. Reattach clamp. Make sure that washers sit on outside of cover.

**FIG. 34**



## Maintenance

**Service**

**⚠ WARNING** Preventive maintenance performed by unauthorized personnel may result in misplacing of internal wires and components which could cause serious hazard. We recommend that all tool service be performed by a Bosch Factory Service Center or Authorized Bosch Service Station.

### TOOL LUBRICATION

Your Bosch tool has been properly lubricated and is ready to use. It is recommended that tools with gears be regreased with a special gear lubricant at every brush change.

### CARBON BRUSHES

The brushes and commutator in your tool have been engineered for many hours of dependable service. To maintain peak efficiency of the motor, we recommend every two to six months the brushes be examined. Only genuine Bosch replacement brushes specially designed for your tool should be used.

### BEARINGS

After about 300-400 hours of operation, or at every second brush change, the bearings

should be replaced at Bosch Factory Service Center or Authorized Bosch Service Station. Bearings which become noisy (due to heavy load or very abrasive material cutting) should be replaced at once to avoid overheating or motor failure.

### Cleaning

**⚠ WARNING** To avoid accidents always disconnect the tool from the power supply before cleaning or performing any maintenance. The tool may be cleaned most effectively with compressed dry air. Always wear safety goggles when cleaning tools with compressed air.

Ventilation openings and switch levers must be kept clean and free of foreign matter. Do not attempt to clean by inserting pointed objects through openings.

**⚠ CAUTION** Certain cleaning agents and solvents damage plastic parts. Some of these are: gasoline, carbon tetrachloride, chlorinated cleaning solvents, ammonia and household detergents that contain ammonia.

## Accessories

**⚠ WARNING** If an extension cord is necessary, a cord with adequate size conductors that is capable of carrying the current necessary for your tool must be used. This will prevent excessive voltage drop, loss of power or overheating. Grounded tools must use 3-wire extension cords that have 3-prong plugs and receptacles.

**NOTE:** The smaller the gauge number, the heavier the cord.

### RECOMMENDED SIZES OF EXTENSION CORDS 120 VOLT ALTERNATING CURRENT TOOLS

Tool's Ampere Rating	Cord Size in A.W.G.				Wire Sizes in mm <sup>2</sup>			
	Cord Length in Feet				Cord Length in Meters			
	25	50	100	150	15	30	60	120
3-6	18	16	16	14	0.75	0.75	1.5	2.5
6-8	18	16	14	12	0.75	1.0	2.5	4.0
8-10	18	16	14	12	0.75	1.0	2.5	4.0
10-12	16	16	14	12	1.0	2.5	4.0	—
12-16	14	12	—	—	—	—	—	—

PR002 Straight Router Guide\*†  
 PR003 Roller Guide†  
 PR004 Offset Base with Trim Guide†  
 PR005 Tilt Base†  
 PR006 Underscribe Attachment†  
 PR007 Side-Handle Subbase with Dust  
 Extraction Hood  
 PR008 Base Cover  
 PR009 Round Subbase for RA-Series  
 Templet Guide

PR010 Round Subbase for Threaded  
 Templet Guide  
 83038 Hinge Templet Kit  
 Router Bits  
 Case\*†  
 Vacuum Hoses  
 Vacuum Hose Adapter

\*Included with PR20EVSK  
 †Included with PR20EVSNK

## Consignes générales de sécurité

**AVERTISSEMENT** Veuillez lire et comprendre toutes les consignes. Si on n'observe pas toutes les consignes décrites ci-dessous, il y a risque de choc électrique, d'incendie et/ou de blessures corporelles graves. Dans toutes les mises en garde ci-dessous, le terme « outil électroportatif » se rapporte à des outils branchés sur le secteur (avec fil) ou à des outils alimentés par piles (sans fil).

### CONSERVEZ CES CONSIGNES

#### Sécurité du lieu de travail

**Maintenez le lieu de travail propre et bien éclairé.** Les risques d'accident sont plus élevés quand on travaille dans un endroit encombré ou sombre.

**N'utilisez pas d'outils électroportatifs dans des atmosphères explosives, comme par exemple en présence de gaz, de poussières ou de liquides inflammables.** Les outils électroportatifs produisent des étincelles qui risquent d'enflammer les poussières ou les vapeurs.

**Éloignez les enfants et les visiteurs quand vous vous servez d'un outil électroportatif.** Vous risquez une perte de contrôle si on vous distrait.

#### Sécurité électrique

**Les fiches des outils électroportatifs doivent correspondre à la prise. Il ne faut absolument jamais modifier la fiche. N'utilisez pas d'adaptateur de prise avec des outils électroportatifs munis d'une fiche de terre.** Le risque de choc électrique est moindre si on utilise une fiche non modifiée sur une prise qui lui correspond.

**Évitez tout contact du corps avec des surfaces reliées à la terre tels que tuyaux, radiateurs, gazinières ou réfrigérateurs.** Le risque de choc électrique augmente si votre corps est relié à la terre.

**N'exposez pas les outils électroportatifs à la pluie ou à l'humidité.** Si de l'eau pénètre dans un outil électroportatif, le risque de choc électrique augmente.

**Ne maltraitez pas le cordon. Ne vous en servez jamais pour transporter l'outil électroportatif, pour le tirer ou pour le débrancher. Éloignez le cordon de la chaleur, des huiles, des arêtes coupantes ou des pièces mobiles.** Les cordons abîmés ou emmêlés augmentent les risques de choc électrique.

**Si vous utilisez un outil électroportatif à l'extérieur, employez une rallonge conçue pour l'extérieur.** Ces rallonges sont faites pour l'extérieur et réduisent le risque de choc électrique.

**N'utilisez pas un outil conçu uniquement pour le C.A. sur une alimentation en C.C.** Même si l'outil semble fonctionner, les composants électriques d'un outil prévu pour le C.A. tomberont probablement en panne et risquent de créer un danger pour l'utilisateur.

**S'il est nécessaire d'utiliser l'outil dans un lieu humide, il faut l'alimenter par l'intermédiaire d'un disjoncteur différentiel de fuite à la terre (DDFT).**

L'emploi d'un DDFT et de dispositifs de protection personnelle tels que gants et chaussures d'électricien en caoutchouc améliorent votre sécurité personnelle.

#### Sécurité personnelle

**Restez concentré, faites attention à ce que vous faites, et servez-vous de votre bon sens lorsque vous utilisez un outil électroportatif. N'employez pas d'outils électroportatifs quand vous êtes fatigué ou sous l'emprise de drogues, d'alcool ou de médicaments.** Quand on utilise des outils électroportatifs, il suffit d'un moment d'inattention pour causer des blessures corporelles graves.

**Utilisez des équipements de sécurité. Portez toujours une protection oculaire.** Si les conditions le demandent, il faut porter un masque à poussière, des chaussures de sécurité antidérapantes, un casque de chantier ou une protection auditive pour réduire le risque de blessure corporelle.

**Évitez les démarrages intempestifs. Assurez-vous que l'interrupteur est en position arrêté (OFF) avant de brancher l'outil.** Transporter un outil électroportatif avec le doigt sur la gâchette ou le brancher quand l'interrupteur est en position "marche" (ON) présente des risques d'accident.

**Enlevez toutes les clés de réglage avant de mettre l'outil électroportatif en marche.** Si on laisse une clé sur une pièce tournante de l'outil électroportatif, il y a risque de blessure corporelle.

**Ne vous penchez pas. Conservez toujours une bonne assise et un bon équilibre.** Ceci vous permettra de mieux maîtriser l'outil électroportatif dans des situations inattendues.

**Habillez-vous de manière appropriée. Ne portez pas de vêtements amples ou de bijoux. Attachez les cheveux longs. N'approchez pas les cheveux, les vêtements ou les gants des pièces en mouvement.** Les vêtements amples, les bijoux ou les cheveux longs risquent d'être happés par les pièces en mouvement.

**Si l'outil est muni de dispositifs permettant le raccordement d'un système d'aspiration et de collecte des poussières, assurez-vous que ces dispositifs sont raccordés et utilisés correctement.** L'utilisation de ces dispositifs peut permettre de réduire les dangers liés à la poussière.

**Maintenez les poignées sèches et exemptes d'huile et de graisse.** On ne pas maîtriser un outil électroportatif en toute sécurité quand on a les mains glissantes.

## Utilisation et entretien des outils électroportatifs

**Ne forcez pas sur l'outil électroportatif. Utilisez l'outil électroportatif qui convient à la tâche à effectuer.** L'outil qui convient à la tâche fait un meilleur travail et est plus sûr à la vitesse pour lequel il a été conçu.

**Ne vous servez pas de l'outil électroportatif si son interrupteur ne parvient pas à le mettre en marche ou à l'arrêter.** Tout outil électroportatif qui ne peut pas être commandé par son interrupteur est dangereux et doit être réparé.

**Débranchez la fiche de la prise ou enlevez le bloc-pile de l'outil électroportatif avant tout réglage, changement d'accessoires ou avant de ranger l'outil électroportatif.** De telles mesures de sécurité préventive réduisent le risque de démarrage intempestif de l'outil électroportatif.

**Rangez les outils électroportatifs dont vous ne vous servez pas hors de portée des enfants et ne permettez pas à des personnes qui ne connaissent pas l'outil électroportatif ou qui ignorent ces consignes de s'en servir.** Les outils électroportatifs sont dangereux dans les mains d'utilisateurs inexpérimentés.

**Entretenez les outils électroportatifs. Vérifiez que les pièces mobiles sont alignées correctement et ne coincent pas. Vérifiez qu'il n'y a pas de pièces cassées ou d'autre circonstance qui risquent d'affecter le fonctionnement de l'outil électroportatif. Si l'outil est abîmé, faites-le réparer avant de l'utiliser.** De nombreux accidents sont causés par des outils électroportatifs mal entretenus.

**Maintenez les outils coupants affûtés et propres.** Les outils coupants entretenus correctement et dotés de bords tranchants affûtés sont moins susceptibles de coincer et sont plus faciles à maîtriser.

**Utilisez l'outil électroportatif, les accessoires, les embouts etc. selon ces consignes et de la manière prévue pour chaque type particulier d'outil électroportatif en tenant compte des conditions de travail et de la tâche à accomplir.** L'emploi d'outils électroportatifs pour des tâches différentes de celles pour lesquelles ils ont été prévus peut résulter en une situation dangereuse.

**Utilisez des brides ou d'autres moyens pratiques de brider ou de supporter la pièce sur une plate-forme stable.** Tenir la pièce à la main ou contre le corps est instable et risque de résulter en une perte de contrôle.

## Entretien

**Faites réparer votre outil électroportatif par un agent de service qualifié n'utilisant que des pièces de rechange identiques.** Ceci assure que la sécurité de l'outil électroportatif est préservée.

**Créez un agenda d'entretien périodique pour votre outil. Quand vous nettoyez un outil, faites attention de n'en démonter aucune pièce car il est toujours possible de mal remonter ou de pincer les fils internes ou de remonter incorrectement les ressorts de rappel des capots de protection.** Certains agents de nettoyage tels que l'essence, le tétrachlorure de carbone, l'ammoniaque, etc. risquent d'abîmer les plastiques.

## CONSERVEZ CES INSTRUCTIONS

### Règles de sécurité concernant les toupies

**Tenez l'outil par les surfaces isolées de prise en exécutant une opération lorsque l'outil de coupe peut venir en contact avec des fils cachés ou son propre cordon.** Le contact avec un fil sous tension rendra les parties métalliques exposées de l'outil sous tension et causera des secousses électriques à l'opérateur. *Pour couper dans des murs existants ou autres endroits aveugles pouvant dissimuler des fils électriques, débranchez tous les fusibles ou les disjoncteurs alimentant ce lieu de travail.*

**Assurez-vous toujours que la surface de travail est exempte de clous et autres objets étrangers.** La coupe dans un clou peut faire sauter la lame et l'outil, et ainsi abîmer la lame.

**Ne tenez jamais le matériau d'une main et l'outil de l'autre lorsque vous en faites usage. Ne placez jamais les mains sous la surface de coupe ou à proximité de celle-ci.** Il est plus sûr de cramponner le matériau et de guider l'outil des deux mains.

**Ne posez jamais le matériau sur des surfaces dures telles que le béton, la pierre, etc. ...** La lame de coupe en saillie peut faire sauter l'outil.

**Portez toujours des lunettes de sécurité et un masque anti-poussières.** N'utilisez l'outil qu'à un endroit bien aéré. L'utilisation de dispositifs de sécurité personnelle et le travail dans un environnement sûr réduisent les risques de blessures.

**Après avoir changé les lames ou effectué quelque réglage que ce soit, assurez-vous que l'écrou de la douille et tout autre dispositif de réglage sont bien serrés.** Un dispositif de réglage lâche peut bouger soudainement et causer ainsi une perte de contrôle avec projection violente des composants en rotation.

**Ne mettez jamais l'outil en marche alors que la lame est enfoncée dans le matériau.** Le tranchant de la lame peut se coincer dans le matériau et vous faire perdre le contrôle du couteau.

**Tenez toujours le couteau des deux mains durant la mise en marche.** Le couple de réaction du moteur peut faire tordre l'outil.

**Le sens d'introduction de la lame dans le matériau est très important, et il est lié au sens d'introduction de la lame.** Lorsque vous regardez l'outil depuis le dessus, la lame tourne en sens horaire. Le sens d'introduction du couteau doit être anti-horaire.  
REMARQUE : Les coupes intérieures et extérieures nécessiteront des sens de déplacement différents - référez-vous à la section consacrée au sens de déplacement de la toupie. Si l'outil est introduit dans le mauvais sens, le tranchant de la lame peut sortir du matériau et tirer l'outil dans le sens de cette introduction.

**N'utilisez jamais de lames émoussées ou abîmées. Les lames affilées doivent être maniées soigneusement.** Les mèches abîmées peuvent se rompre brusquement durant l'usage. Les lames émoussées nécessitent plus de force pour pousser l'outil, causant éventuellement un bris de la lame.

**Ne touchez jamais la lame durant ou immédiatement après l'usage.** Après usage, la lame est trop chaude pour être touchée à main nue.

**Ne posez jamais l'outil avant que le moteur ne se soit arrêté complètement.** La lame en rotation peut saisir la surface et vous faire perdre le contrôle de l'outil.

**N'utilisez jamais des fers dont le diamètre de coupe est supérieur à celui de l'ouverture pratiquée dans la base.**

### **▲ AVERTISSEMENT**

**Les travaux à la machine tel que ponçage, sciage, meulage, perçage et autres travaux du bâtiment peuvent créer des poussières contenant des produits chimiques qui sont des causes reconnues de cancer, de malformation congénitale ou d'autres problèmes reproductifs. Ces produits chimiques sont, par exemple :**




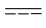
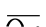




- Le plomb provenant des peintures à base de plomb,
- Les cristaux de silices provenant des briques et du ciment et d'autres produits de maçonnerie, et
- L'arsenic et le chrome provenant des bois traités chimiquement

Le niveau de risque dû à cette exposition varie avec la fréquence de ces types de travaux. Pour réduire l'exposition à ces produits chimiques, il faut travailler dans un lieu bien ventilé et porter un équipement de sécurité approprié tel que certains masques à poussière conçus spécialement pour filtrer les particules microscopiques.



## Symboles

**IMPORTANT** : Certains des symboles suivants peuvent être utilisés sur votre outil. Veuillez les étudier et apprendre leur signification. Une interprétation appropriée de ces symboles vous permettra d'utiliser l'outil de façon plus efficace et plus sûre.

Symbole	Nom	Désignation/Explication
V	Volts	Tension (potentielle)
A	Ampères	Courant
Hz	Hertz	Fréquence (cycles par seconde)
W	Watt	Puissance
kg	Kilogrammes	Poids
min	Minutes	Temps
s	Secondes	Temps
∅	Diamètre	Taille des mèches de perceuse, meules, etc.
$n_0$	Vitesse à vide	Vitesse de rotation, à vide
.../min	Tours ou mouvement alternatif par minute	Tours, coups, vitesse en surface, orbites, etc., par minute
0	Position d'arrêt	Vitesse zéro, couple zéro ...
1, 2, 3, ... I, II, III, ...	Réglages du sélecteur	Réglages de vitesse, de couple ou de position. Un nombre plus élevé signifie une vitesse plus grande.
	Sélecteur variable à l'infini avec arrêt	La vitesse augmente depuis le réglage 0
	Flèche	Action dans la direction de la flèche
	Courant alternatif	Type ou caractéristique du courant
	Courant continu	Type ou caractéristique du courant
	Courant alternatif ou continu	Type ou caractéristique du courant
	Construction classe II	Désigne des outils construits avec double isolation
	Borne de terre	Borne de mise à la terre
	Symbole d'avertissement	Alerte l'utilisateur aux messages d'avertissement.
	Sceau Ni-Cad RBRC™	Désigne le programme de recyclage des piles Ni-Cad.



Ce symbole signifie que cet outil est approuvé par Underwriters Laboratories.



Ce symbole signifie que cet outil est approuvé conformément aux normes canadiennes par Underwriters Laboratories.



Ce symbole signifie que cet outil se conforme aux normes mexicaines NOM.



Ce symbole signifie que cet outil est approuvé par l'Association canadienne de normalisation.

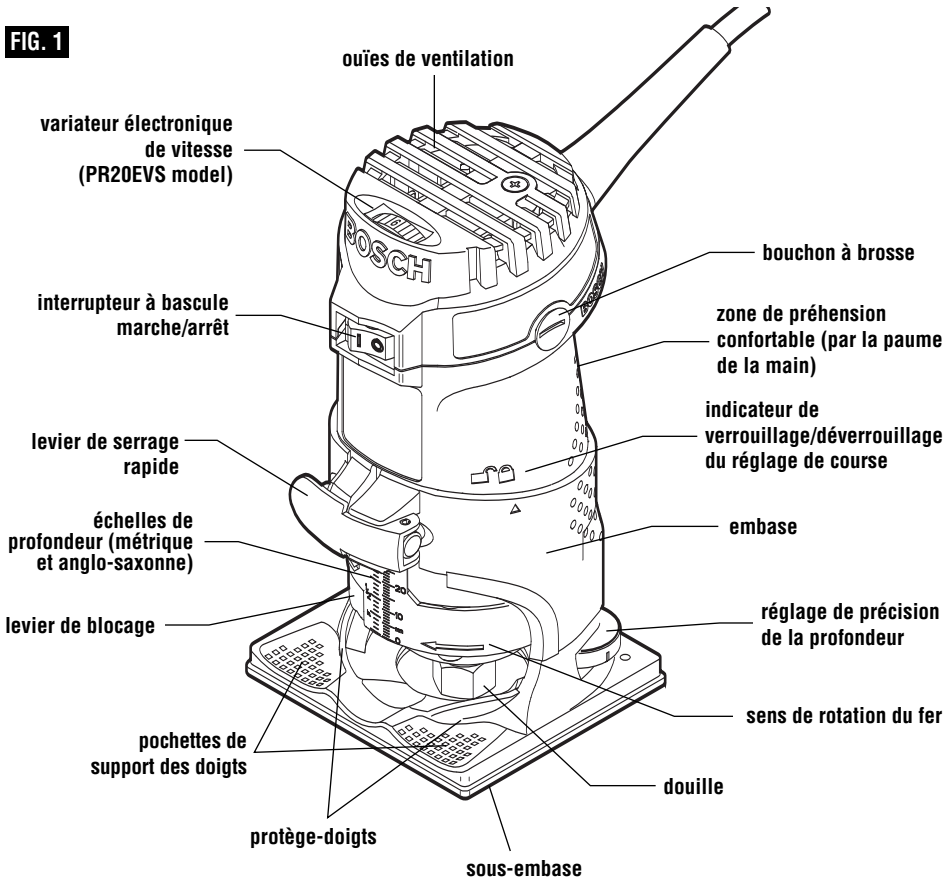


Ce symbole signifie que cet outil est approuvé par Underwriters Laboratories et qu'il a été homologué selon les normes canadiennes par Underwriters Laboratories.

## Description fonctionnelle et spécifications

**⚠ AVERTISSEMENT** Débranchez la fiche de la prise de courant avant d'effectuer quelque assemblage ou réglage que ce soit ou de changer les accessoires. Ces mesures de sécurité préventive réduisent le risque d'une mise en marche accidentelle de l'outil.

**FIG. 1**



Numéro de modèle	PR10E	PR20EVS
Tension nominale	120V~60Hz	120V~60Hz
Intensité nominale	5.7	5.7
Régime à vide	no 35,000	no 16,000-35,000
Capacités de la douille	1/4 po shank	1/4 po shank
Max. Cutter Diameter	*	*

\* Le diamètre du tranchant doit être d'au moins 1/4 po inférieur à celui de l'ouverture pour le fer et le tranchant.

## Assemblage

### CHOIX DES FERS

Votre toupie Bosch à système de préhension par la paume a été conçue pour une grande variété d'opérations de toupillage au cours desquelles des fers à tige de 1/4 po sont utilisés. Ces opérations comprennent le formage avec croquage des bords, le rainurage et la fabrication de panneaux. Cette toupie est également idéale pour l'ébarbage des stratifiés, des phénoliques ou des autres matériaux qui ont été collés à un support et dépassent de ce dernier d'environ 3 mm (1/8 po).

Un grand choix de fers avec profils variés est disponible en accessoire. Utilisez que des fers de bonne qualité.

**⚠ AVERTISSEMENT** Pour éviter toute blessure corporelle, il faut toujours débrancher la prise avant d'enlever ou de monter un fer ou des accessoires.

### MONTAGE DES FERS

1. Posez la toupie sur le flanc, l'arrière de l'embase reposant sur l'établi. Le dessus plat de la toupie permet à la toupie d'être posée sur sa tête pendant le changement des fers, selon la préférence de l'utilisateur.
2. Appuyez sur le levier de blocage de l'arbre pour empêcher la douille de tourner. **REMARQUE** : Il se peut qu'il faille faire tourner la douille pour enclencher le blocage de l'arbre (Fig. 2).\*
3. Ensuite, à l'aide de la clé de douille, desserrez l'ensemble de douille en tournant en sens anti-horaire (vu du dessous de la défonceuse).
4. Enfoncez la queue du fer à fond dans l'ensemble de douille et ensuite ressortez le fer jusqu'à ce que ses tranchants soient à peu près entre 1/8 po et 1/4 po de la face de l'écrou de douille.
5. Une fois le fer en place et le blocage de l'arbre enclenché, serrez fermement l'ensemble de douille en sens horaire (vu du dessous de la défonceuse) à l'aide de la clé de douille (Fig. 3).\*

Pour assurer le pincement correct du fer et pour minimiser son battement, sa queue doit être enfoncée d'au moins 5/8 po.

\* Au lieu du mécanisme de verrouillage de la broche, il est possible d'utiliser une clé mince de 10 mm sur les « méplats » de la broche.

**⚠ AVERTISSEMENT** Le diamètre du tranchant doit être d'au moins 1/4 po inférieur à celui de l'ouverture pour le fer et le tranchant.

Pour éviter d'abîmer la machine, il ne faut pas serrer la douille à vide.

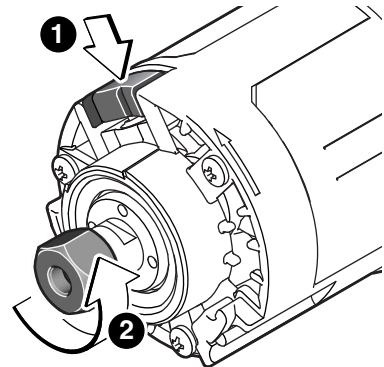


FIG. 2

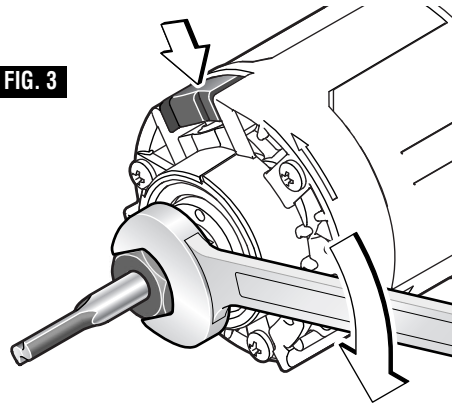


FIG. 3

**REMARQUE** : Avant de monter le fer, vérifiez que sa queue ainsi que la douille sont propres. Ils doivent être exempts de poussière, bois, débris et graisse.

### POUR ENLEVER UN FER DE DÉFONCEUSE

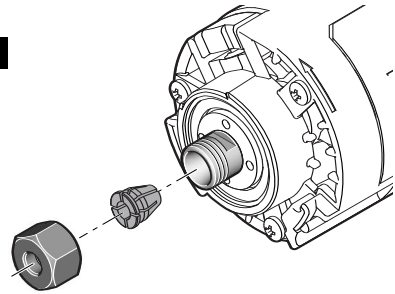
1. Appuyez sur le blocage de l'arbre pour empêcher la douille de tourner et faites tourner l'ensemble de douille en sens anti-horaire.
2. Une fois que l'ensemble de douille est desserré, continuez de le tourner jusqu'à ce que la douille soit libérée de son cône. Vous pouvez alors retirer le fer.

**REMARQUE** : La douille est à éjection automatique : il n'est PAS nécessaire de la frapper pour libérer le fer.

### ENTRETIEN DE LA DOUILLE

Avec le fer enlevé, continuez de faire tourner la douille en sens anti-horaire jusqu'à ce qu'elle sorte complètement de l'arbre. Pour assurer un pincement ferme, soufflez de temps à temps la douille à l'air comprimé et nettoyez le cône situé sur l'arbre de l'ensemble du rotor avec une serviette en papier ou une brosse fine. La douille est faite de deux pièces qui s'enclenchent l'une dans l'autre (Fig. 4). Vérifiez que la pince est correctement assujettie dans l'écrou de douille et resserrerz légèrement la douille sur l'arbre du rotor. Remplacez immédiatement la douille si elle est usée ou abîmée.

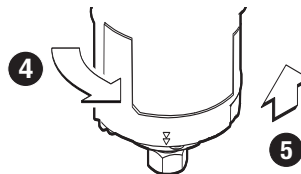
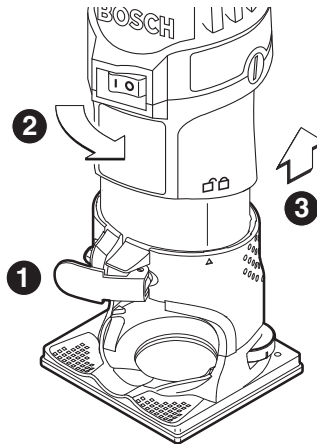
**FIG. 4**



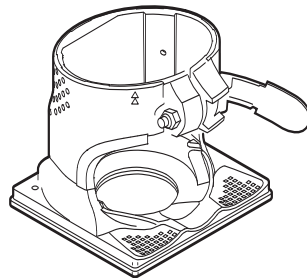
### RETRAIT DU MOTEUR DE L'EMBASE

1. Ouvrez le levier de serrage (Fig. 5).
2. Faites tourner le moteur de façon à ce que le triangle unique sur l'embase soit aligné avec le symbole « déverrouillé » sur le moteur. (Veillez à ce que l'indication sur l'embase soit alignée avec la ligne sous le symbole « déverrouillé » situé sur le moteur ; sinon la toupie risquerait d'être endommagée.) (Fig. 5.)
3. Tirez sur le moteur pour l'éloigner au maximum de l'embase (Fig. 5).
4. Faites tourner le moteur au maximum dans le sens inverse des aiguilles d'une montre (Fig. 6).
5. Tirez sur le moteur afin de le séparer de l'embase (Fig. 6).

**FIG. 5**



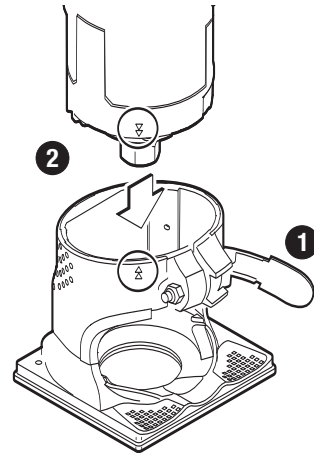
**FIG. 6**



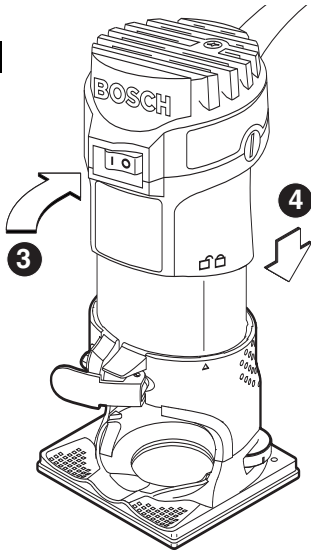
### MONTAGE DU MOTEUR DANS L'EMBASE

1. Ouvrez le levier de serrage (Fig. 7).
2. Alignez les deux triangles sur l'embase avec le moteur et insérez le moteur dans l'embase au maximum (Fig. 7).
3. Faites tourner le moteur dans le sens des aiguilles d'une montre jusqu'à ce que le triangle unique sur l'embase soit aligné avec le symbole « déverrouillé » ». (Veillez à ce que l'indication sur l'embase soit alignée avec la ligne sous le symbole « déverrouillé » situé sur le moteur, sinon la toupie risquerait d'être endommagée.) (Fig. 8)
4. Enfoncez le moteur dans l'embase jusqu'à ce que vous atteigniez la profondeur qui vous convient (Fig. 8).
5. Faites tourner le moteur d'environ 1/4 po dans le sens des aiguilles d'une montre jusqu'à ce que le triangle unique soit aligné avec le symbole « verrouillé » (Fig. 9).
6. Fermez le levier de serrage. Vérifiez toujours que le moteur est bien assis dans l'embase (la tension du levier de serrage peut être modifiée en ajustant à nouveau l'écrou) (Fig. 9).

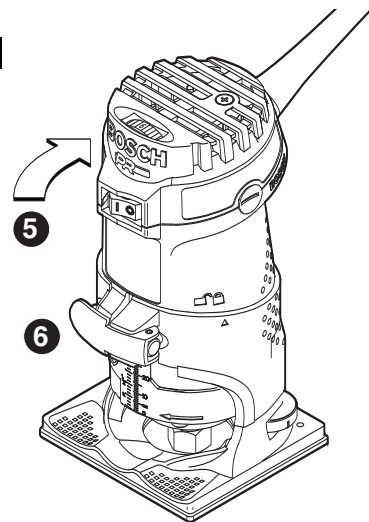
**FIG. 7**



**FIG. 8**



**FIG. 9**



## Consignes de fonctionnement

Les toupies Bosch sont conçues pour faire aisément du travail rapide et précis en ébénisterie, toupillage, moulurage de cannelures, baguettes, anses, usinage de queues d'arondes, etc. Elles vous permettent de faire de la marqueterie, des bordures décoratives et de nombreux types de sculptures spéciales.

### RÉGLAGE DE LA PROFONDEUR DE COUPE

Ajustez la profondeur de coupe uniquement quand le moteur est arrêté.

1. Installez le fer de toupie qui vous convient.
2. Placez la toupie sur l'ouvrage.
3. Ouvrez le levier de serrage. Fig. 10(A)
4. Faites tourner le moteur d'environ 1/4 po dans le sens des aiguilles d'une montre jusqu'à ce que le triangle unique sur l'embase soit aligné avec le symbole « déverrouillé » sur le moteur. Fig. 10(B) (veillez à ce que l'indication sur l'embase soit alignée avec la ligne sous le symbole « déverrouillé » situé sur le moteur ; sinon la toupie risquerait d'être endommagée).
5. Abaissez lentement le moteur jusqu'à ce que le fer de la toupie entre en contact avec l'ouvrage. Fig. 10(C)
6. Prenez note de la valeur indiquée sur l'échelle (sous le levier de serrage) et ajoutez la profondeur de coupe souhaitée à cette valeur afin de déterminer la valeur d'échelle cible.
7. Abaissez le moteur jusqu'à ce que la valeur d'échelle cible soit atteinte. Fig. 10(C)
8. Faites tourner le moteur d'environ 1/4 po dans le sens des aiguilles d'une montre jusqu'à ce que le triangle unique sur l'embase soit aligné avec le symbole « verrouillé » sur le moteur. Fig. 10(B)
9. Fermez le levier de serrage. Fig. 10(A) Vérifiez toujours que le moteur est bien assis dans l'embase (la tension du levier de serrage peut être modifiée à nouveau en ajustant l'écrou).
10. Vérifiez la profondeur de coupe et effectuez des réglages de précision s'il y a lieu. (Remarque : il se peut que le réglage de la profondeur du moteur et le fer aient été légèrement déplacés lors de la fermeture du levier de serrage.)
11. Faites une coupe d'essai de façon à vérifier que la toupie est bien en place pour effectuer la coupe souhaitée.

### RÉGLAGE DE PRÉCISION DE LA PROFONDEUR

Ajustez la profondeur de coupe uniquement quand le moteur est arrêté.

1. Ouvrez le levier de serrage. Fig. 10(A)
2. Réglez la profondeur de coupe souhaitée à l'aide de la molette striée située à l'arrière de l'embase. Fig. 10(D)
3. Faites tourner la molette striée sans le sens des aiguilles d'une montre pour augmenter la profondeur de toupillage, et dans le sens inverse des aiguilles

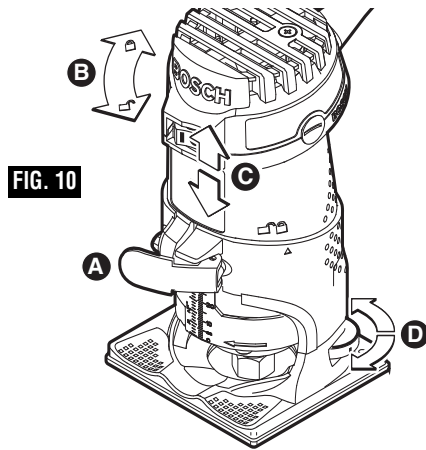


FIG. 10

d'une montre pour diminuer la profondeur de toupillage. Chaque tour complet de la molette est égal à 1,25 mm (environ 3/64 po).

4. Fermez le levier de serrage. Vérifiez toujours que le moteur est bien assis dans l'embase. La tension du levier de serrage peut être modifiée en ajustant l'écrou (veuillez vous reporter à la section ci-dessous intitulée « Fixation du moteur »).
5. Vérifiez la profondeur de coupe et réalisez tout réglage fin supplémentaire s'il y a lieu. (Remarque : il se peut que le réglage de la profondeur du moteur et le fer aient été légèrement déplacés lors de la fermeture du levier de serrage.)
6. Faites une coupe d'essai de façon à vérifier que la toupie est bien en place pour effectuer la coupe souhaitée.

### FIXATION DU MOTEUR

Une fois les réglages macrométriques et micrométriques terminés, serrez le levier de serrage de l'embase pour finaliser les réglages. Si une force de serrage supplémentaire s'avère nécessaire, faites tourner LÉGÈREMENT (1/8 de tour ou moins) l'écrou de serrage dans le sens des aiguilles d'une montre à l'aide une clé de 8 mm, puis testez le serrage. Ne serrez pas de façon excessive.

### COUPES PROFONDES

Pour la réalisation de coupes profondes, procédez en effectuant une série de coupes de plus en plus profondes. Commencez avec une certaine profondeur, puis faites une série de passes en augmentant la profondeur de coupe à chaque passe.

Pour être certain que vos réglages de profondeur de coupe sont comme il faut, il est conseillé de faire des coupes d'essai dans des déchets de découpe avant de commencer votre travail.

### INTERRUPTEUR À BASCULE MARCHE/ARRÊT

Votre outil peut être mis en marche ou à l'arrêt à l'aide de l'interrupteur à bascule situé sur le carter du moteur. Un côté de l'interrupteur est marqué « I » pour « ON », et l'autre côté est marqué « O » pour « OFF ».

**POUR METTRE L'OUTIL EN MARCHÉ :** Poussez le côté de l'interrupteur marqué « I ».

**POUR METTRE L'OUTIL À L'ARRÊT :** Poussez le côté de l'interrupteur marqué « O ».

Tenez toujours la toupie hors de l'ouvrage en mettant l'interrupteur en marche ou à l'arrêt. Mettez la toupie en contact avec l'ouvrage après que la toupie ait atteint son régime maximal, et retirez-la de l'ouvrage avant de mettre l'interrupteur à l'arrêt. Le fonctionnement de cette manière prolongera la durée de l'interrupteur et du moteur, et augmentera grandement la qualité de votre travail.

### FONCTION DE DÉMARRAGE EN DOUCEUR

Une commande en circuit fermé électronique minimise le couple de rotation caractéristique des toupies en limitant la vitesse à laquelle le moteur se met en marche.

### VARIATEUR ÉLECTRONIQUE DE VITESSE (Modèles PR20EVS uniquement)

La variateur électronique de vitesse permet de régler le régime du moteur en fonction de la taille du couteau et la dureté du matériau pour améliorer la qualité de la finition, prolonger la durée du fer et assurer un meilleur rendement. On change la vitesse en tournant le cadran à DROITE pour l'augmenter, à GAUCHE pour la diminuer, comme il est indiqué sur le carter (fig. 1). De même, on peut changer la vitesse pendant que l'outil est en marche. Les repères du cadran facilitent le réglage à la vitesse désirée. Le tableau ci-dessous montre les réglages recommandés par rapport à diverses applications. Toutefois, la qualité des réglages relève de l'expérience et de la compétence de l'utilisateur.

#### POSITION DU CADRAN

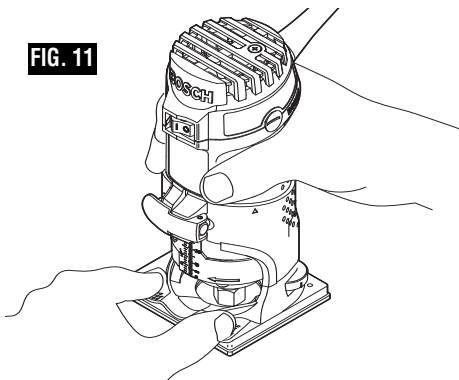
TR/MIN	APPLICATION
1 16000	} Métaux non-ferreux, fers et couteaux de grands diamètres
2 18000	
3 20000	
4 22500	} Bois tendres, plastiques, stratifiés, fers et fraises de petits diamètres
5 26500	
6 35000	

Le tableau des vitesses indique le rapport entre la vitesse et le travail à effectuer. La vitesse exacte est à déterminer suivant l'expérience et la préférence de l'utilisateur ou selon les recommandations du fabricant du fer.

### CIRCUIT CONSTANT RESPONSE™

Le circuit Constant Response™ de la défonceuse contrôle la puissance et la règle pour maintenir la vitesse désirée afin de régulariser la performance de la machine et de rendre celle-ci plus facile à maîtriser.

FIG. 11



### AVANCE DE LA DÉFONCEUSE

En plus de la zone de préhension principale (par la paume de la main) située à l'arrière du carter du moteur et de l'embase, il existe des pochettes de support des doigts (une fonction exclusive de Bosch) situées sur l'embase afin d'assurer une stabilisation maximale de la toupie. Les pochettes sont séparées de la zone de mouvement du fer par des protège-doigts (Fig. 11).

Vu du dessus de la défonceuse, le fer tourne en sens horaire et ses bords tranchants sont conçus pour ce sens de rotation. Ainsi, l'usinage est plus efficace s'il se fait en poussant à l'opposé du sens de rotation du bord tranchant du fer plutôt que dans le même sens. La Figure 12 illustre le sens correct de l'avance pour divers types de touillage. La vitesse d'avance dépend de la dureté du matériau et de la profondeur de la coupe. Dans certains matériaux, il est préférable de faire plusieurs passes en augmentant la profondeur à chaque fois.

Si la défonceuse est difficile à maîtriser, chauffe, tourne très lentement ou coupe mal, envisagez les causes suivantes :

1. Mauvais sens d'avance – Difficile à maîtriser.
2. Avance trop rapide – Moteur surchargé
3. Fer émoussé – Moteur surchargé
4. Coupe trop profonde pour faire en une seule passe – Moteur surchargé
5. Avance trop lente – Laisse des brûlures dues au frottement du fer sur la pièce.

Faites avancer la machine régulièrement et sans hésitation (ne forcez pas). Vous apprendrez rapidement à reconnaître le fonctionnement optimum de la défonceuse au son qu'elle produit et à son comportement.

### VITESSE D'AVANCE

Lors du touillage ou de travaux similaires dans le bois et le plastique, la meilleure finition s'obtient en réglant la passe et la vitesse d'avance de manière à laisser le moteur tourner à haute vitesse. Faites avancer la défonceuse à une vitesse modérée. Les matériaux tendres nécessitent une vitesse d'avance plus élevée que les matériaux durs.

Il se peut que la défonceuse cale si elle est utilisée incorrectement ou si elle est surchargée. Réduisez la vitesse d'avance pour éviter d'abîmer votre machine. Assurez-vous toujours que la douille est serrée fermement avant d'utiliser la machine. Utilisez toujours les fers les plus courts possibles qui produisent la coupe désirée afin de minimiser le battement et les vibrations du fer.

Il peut être nécessaire de réaliser la coupe en plus d'une passe avec des réglages de plus en plus profonds pour éviter de surcharger le moteur. Si le fer coupe librement et le moteur ne ralentit pas, ceci signifie que la profondeur de coupe est généralement correcte.

### GUIDAGE DE LA DÉFONCEUSE

La défonceuse peut être guidée dans la pièce de plusieurs manières. La méthode que vous utiliserez dépendra bien entendu de la tâche à effectuer et de ce qui semble le plus pratique.

Pour les opérations de touillage telles que le rainurage en long ou en travers, il est souvent nécessaire de guider la machine parallèlement à un bord droit. Par exemple, on peut effectuer un touillage droit en bridant fermement une planche ou une règle sur la pièce et en guidant le bord de la sous-embase de la défonceuse le long de ce guide. (Fig. 13)

### GUIDE DE TOUPIE DROIT

(Compris avec le modèle PR20EVSK. Égale- ment disponible comme accessoire en option.)

Le guide de toupie est un accessoire qui est disponible en option et dont la fonction est de guider la toupie parallèlement à un bord droit (Fig. 14).

Le guide de toupie est constitué de deux pièces jointes ensemble à l'aide d'un boulon, d'un écrou à oreilles et d'une rondelle. Il comprend également une vis à oreilles et une rondelle pour assujettir le guide à la toupie.

Le guide est également muni d'une échelle permettant de positionner avec précision le bord de guidage par rapport au fer. Une fois le guide installé et ajusté, la toupie doit être avancée normalement, en gardant constamment le guide en contact avec le bord de l'ouvrage.

Le guide de toupie peut également être positionné directement sous l'embase de la toupie pour les opérations au cours desquelles il est nécessaire de réaliser une coupe au bord, ou à proximité du bord, de l'ouvrage.

FIG. 12

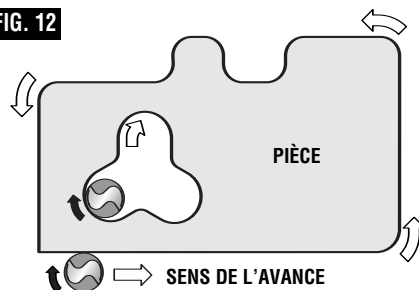


FIG. 13

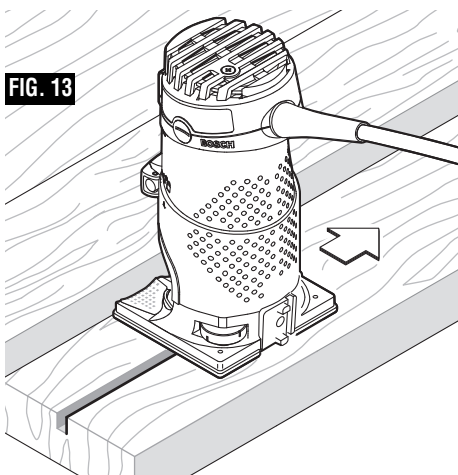
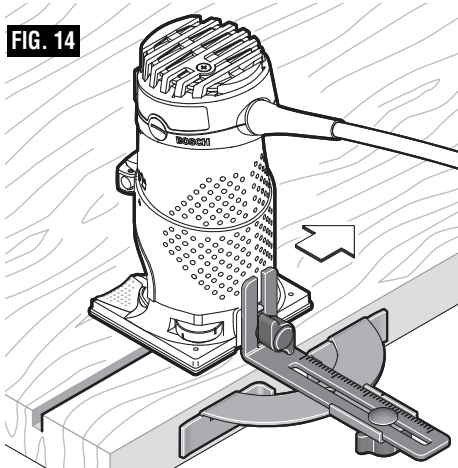


FIG. 14





## USAGE DE FERS AUTOGUIDÉS

Les fers autoguidés sont pourvus d'une pointe arrondie ou d'un roulement à billes qui roule sur la surface du matériau, au-dessus ou au-dessous des tranchants, pour contrôler la profondeur de coupe horizontale (Fig 15). Lorsque ces fers sont utilisés, il n'est pas nécessaire d'utiliser le guide coulissant ou le guide droit. Dans le cas d'une surface stratifiée, utilisez de la cire ou autre lubrifiant et n'appliquez jamais trop de force, sinon l'extrémité guidée peut laisser des traces sur le matériau. Il est impératif de maintenir les guides à roulement propres, sans adhésif ni autres résidus. Les roulements des fers de toupie sont scellés et lubrifiés en permanence; pour éviter d'endommager la surface du matériau, ils devraient être remplacés quand ils ne tournent plus rondement.

### GUIDE DE PALIER/BAGUE PR003

(compris avec le modèle PR20EVSNK, et également disponible comme accessoire en option)

Le guide de palier/bague PR003 disponible en option est nécessaire lors de la fabrication de bords ou pendant le dégrossissage au moyen de fers non guidés et non munis de palier.

#### Fixation du guide de l'ensemble palier/bague

Le guide de palier/bague PR003 (Fig. 16) se fixe à l'aide de la vis à oreilles et de la rondelle.

Réglage du guide de l'ensemble de palier/bague

#### Réglage vertical :

1. Desserrez la vis à oreilles et réalisez un réglage vers le haut ou vers le bas selon ce qui convient en laissant l'ensemble palier/ bague se déplacer sur la surface de guidage prévue à cet effet.
2. Serrez la vis à oreilles.

#### Réglage horizontal :

Que vous réalisiez une coupe droite ou une coupe en biseau, la largeur de matériau enlevé est déterminée par la distance entre le devant du tranchant du fer de toupie et le devant de l'ensemble palier/ bague. Ajustez le devant de l'ensemble palier/ bague de la façon suivante :

1. Desserrez l'écrou à oreilles au bas du palier.
2. Faites tourner l'écrou à oreilles sur l'arrière du guide afin de déplacer l'ensemble palier/ bague vers l'intérieur ou vers l'extérieur en vue d'établir le niveau d'exposition du tranchant nécessaire pour dégrossir le stratifié de façon à ce qu'il soit de niveau avec la surface de guidage ou en vue d'établir l'angle de biseau souhaité.

FIG. 15

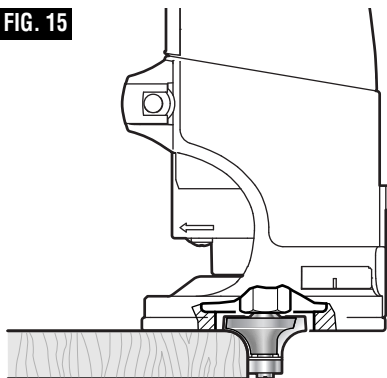
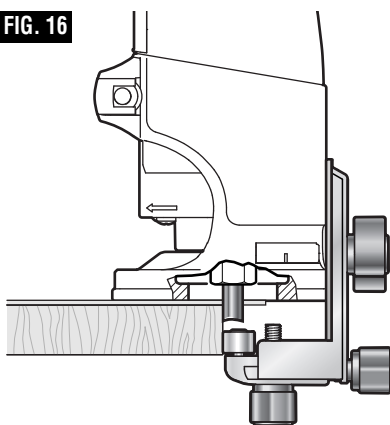


FIG. 16



3. Veillez à ce que le fer se trouve à au moins 3 mm (1/8 po) du guide de l'ensemble de palier/bague pour éviter de causer des dommages.
4. Serrez l'écrou à oreilles au bas de l'ensemble de guidage.
5. Effectuez une coupe d'essai pour vérifier vos réglages et réajuster s'il y a lieu.

#### Utilisation du guide de l'ensemble palier/bague

1. Une fois le guide installé et ajusté, vous devez faire avancer la toupie normalement, en gardant constamment le guide en contact avec le bord de l'ouvrage.
2. Pour maintenir une largeur de coupe constante, il faut conserver un angle de coupe constant entre la toupie et l'ouvrage.

## SOUS-EMBASES RONDES PR009 ET PR010 ET UTILISATION DES RONDELLES GUIDES

(disponibles comme accessoires en option)

De grandes sous-embases rondes sont disponibles séparément ; elles permettent l'utilisation de diverses rondelles guides avec les toupies à système de préhension par la paume.

Les rondelles guides servent à guider la toupie en vue de créer plusieurs ouvertures et incrustations égales à l'aide de divers gabarits (que l'on appelle également modèles ou guides). Les gabarits pour opérations de toupillage standard, tels que ceux qui sont contenus dans le kit de gabarits à charnière Bosch, peuvent être achetés dans un magasin ; les gabarits pour opérations spécialisées sont habituellement fabriqués par les utilisateurs en fonction de leurs besoins particuliers.

La sous-embase ronde PR009 est compatible avec les adaptateurs de guides de gabarits de la série Bosch RA.\*

La sous-embase ronde PR010 est compatible avec les adaptateurs de guides de gabarits filetés.

**\*Remarque :** L'adaptateur RA1100 pour gabarits filetés permet l'utilisation de guides de gabarits filetés conventionnels avec la sous-embase ronde PR009.

### Fixation du guide de gabarit et de la sous-embase ronde PR009 (Fig. 17)

1. Retirez la sous-embase standard.
2. Insérez le guide de gabarit dans la partie supérieure de la sous-embase ronde.
3. Fixez, mais sans serrer pour l'instant, la sous-embase ronde à l'aide des vis à tête cylindrique bombée qui sont fournies avec cet accessoire.
4. Centrez le guide de gabarit autour du fer. Vous pouvez utiliser le cône de centrage RA1150 Bosch vendu en option pour assurer que le guide de gabarit est correctement centré.
5. Serrez les vis à tête cylindrique bombée afin de tenir le guide de gabarit et la sous-embase en position.

### Fixation du guide de gabarit et de la sous-embase ronde PR010 (Fig. 18)

1. Retirez la sous-embase standard.
2. Fixez, mais sans serrer pour l'instant, la sous-embase ronde à l'aide des vis à tête cylindrique bombée qui sont fournies avec cet accessoire.
3. Attachez le guide de gabarit fileté en l'introduisant au travers de la partie inférieure et en fixant l'anneau depuis la partie supérieure.
4. Centrez le guide de gabarit autour du fer. Vous pouvez utiliser le cône de centrage RA1150 Bosch vendu en option pour assurer que le guide de gabarit est correctement centré.

FIG. 17

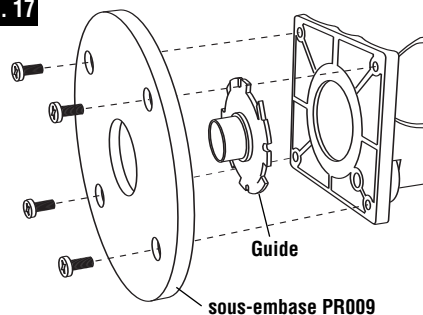


FIG. 18

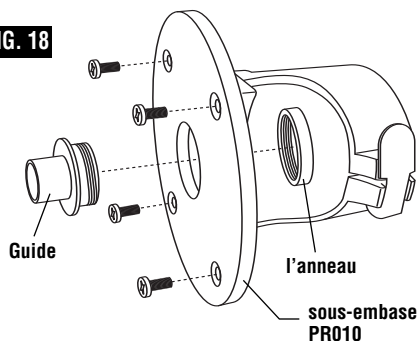
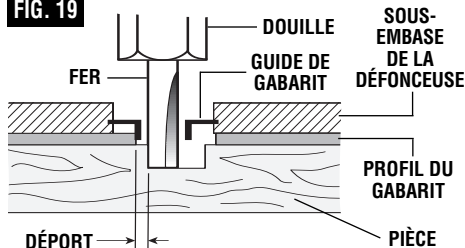


FIG. 19



5. Serrez les vis à tête cylindrique bombée afin de tenir le guide de gabarit et la sous-embase en position.

### Création de gabarits

Des modèles peuvent être créés à partir de contreplaqué, de panneaux comprimés, de métal ou même de plastique. La forme peut être coupée à l'aide d'une toupie, d'une scie sauteuse ou d'un autre outil de coupe acceptable. Souvenez-vous que la fabrication du modèle devra tenir compte de la distance entre le fer de la toupie et le guide de gabarit (« excentré »), car, du fait de la position du fer, la différence de taille entre l'ouvrage final et celle du gabarit correspondra à cette distance (Fig. 19).

### EMBASE EXCÉNTRÉE PR004

(comprise avec le modèle PR20EVSNK, et également disponible comme accessoire en option)

L'embase excéntrée PR004 a été conçue pour le touillage dans des emplacements restreints, particulièrement pour le dégrossissage des stratifiés dans des endroits inaccessibles par une embase fixe standard, tout spécialement les endroits à proximité de surfaces verticales adjacentes, telles que les dessus de dossier de comptoirs déjà installés (Fig. 20).

L'embase PR004 permet de touiller très près d'une surface verticale en face de l'outil, même à une distance de 1/2 po quand un fer de 3/4 po est utilisé (le retrait du couvercle d'arbre excéntré noir réduit encore davantage -- jusqu'à 3/8 po-- la distance entre le fer de 3/4 po et la surface verticale). L'ouverture d'embase de 1-1/16 po permet l'utilisation de fers munis de tranchants d'une largeur pouvant atteindre 13/16 po.

L'embase PR004 peut également être utilisée pour rainurer l'arrière d'un dossier de comptoir neuf de façon à ce qu'il s'accouple parfaitement avec le mur contre lequel il repose (Fig. 21).

#### Accumulation de chaleur

**AVERTISSEMENT** Pour réduire le risque de blessures, n'utilisez pas l'embase excéntrée pendant plus de 10 minutes en continu. Une utilisation continue prolongée rendra l'outil chaud au toucher.

De par sa nature, un mécanisme d'entraînement par courroie tel que celui de l'embase excéntrée PR004 crée plus de chaleur que quand le moteur est utilisé dans ses autres embases. Pour aider à minimiser l'accumulation de chaleur, le régime de l'embase PR004 est de 25 000 tours/mn\* et l'embase a été munie de grands paliers, de dissipateurs thermiques spécialement conçus, d'une circulation d'air soigneusement dirigée et de protecteurs thermiques en plastique. Selon l'opération effectuée, l'embase excéntrée PR004 peut être utilisée continuellement pendant environ 10 minutes avant de devoir rester inactive afin de refroidir.

\*13 000 - 25 000 tours/mn, en cas d'utilisation avec le moteur PR20EVE.

#### Installation du moteur

1. Retirez l'écrou de la pince de serrage du moteur et installez la poulie d'entraînement à l'aide de la clé à écrou de pince. Veillez à ce que l'engrenage d'entraînement soit serré à fond sur l'axe du moteur. (Fig. 22)
2. Le moteur sera ensuite installé dans l'embase conformément aux instructions de la page 29.
3. Insérez un tournevis (non inclus) à travers

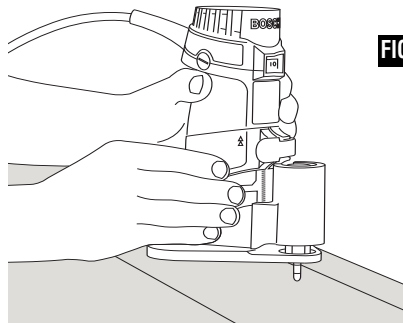


FIG. 20

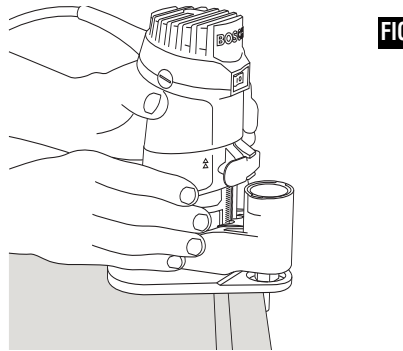


FIG. 21

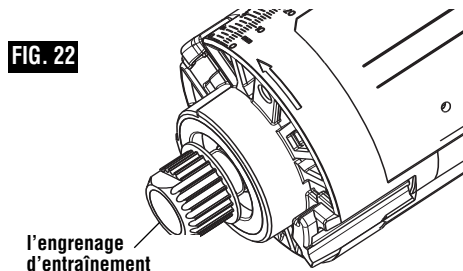


FIG. 22

l'engrenage d'entraînement

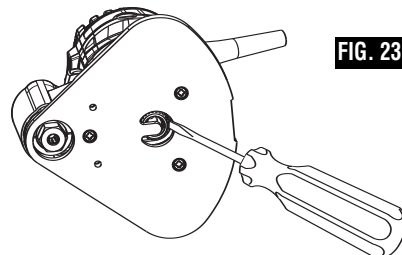


FIG. 23

l'ouverture en forme de U pratiquée dans la sous-embase afin de placer la courroie sur la poulie d'entraînement. (Fig. 23)

### Installation du fer

1. Insérez le fer à la profondeur souhaitée conformément aux instructions de la page 27.
2. Appuyez sur le gros bouton rouge de blocage de la broche sur le dessus de la broche excentrée (Fig. 24).
3. Vissez l'écrou de la pince de serrage à l'aide de la clé à écrou de pince qui est utilisée sur l'écrou de pince de serrage du moteur même. La pince de serrage utilisée sur l'embase PR004 est du même type de pince à ouverture automatique utilisée sur le moteur quand il est utilisé avec les autres embases.
4. Effectuez une coupe d'essai pour vérifier la profondeur et réajuster s'il y a lieu.

### Utilisation de la toupie excentrée

Les principes d'utilisation de la toupie excentrée sont essentiellement les mêmes que ceux d'une toupie standard (c. à d. dont le moteur est dans un ensemble d'embase fixe), à deux exceptions près :

1. Il faut saisir la toupie excentrée en posant une main au niveau de la zone de préhension sur le moteur et l'autre main sur le dessus de la broche excentrée soutenant le devant du moteur (Fig. 20).
2. Pour toupiller des dossierets et d'autres ouvrages surélevés, certains installateurs montent l'embase excentrée sur un bloc de bois dont la hauteur correspond à celle du dossieret stratifié. Cette mesure aide à maintenir un angle constant entre le tranchant du fer et l'ouvrage, et à rendre l'agencement plus stable.

### Guide de palier/bague de l'embase excentrée

Il est nécessaire d'utiliser le guide de palier/bague de l'embase PR004 lors de la fabrication de bords ou pendant le dégrossissage au moyen de fers non guidés et non munis de paliers.

### Fixation du guide de l'ensemble palier/bague

Le guide de palier/bague de l'embase PR004 se fixe à l'aide de deux vis et d'un tournevis cruciforme (non inclus). (Fig. 25)

### Réglage du guide de l'ensemble de palier/bague

Que vous réalisiez une coupe droite ou une coupe en biseau, la largeur de matériau enlevé est déterminée par la distance entre le devant du tranchant du fer de toupie et le devant de l'ensemble palier/ bague. Ajustez le devant de l'ensemble palier/ bague de la façon suivante (Fig. 26):

1. Pour faire un réglage, desserrez la vis à l'aide de la tournevis cruciforme.
2. Faites tourner le bouton moleté sur l'arrière du guide afin de déplacer l'ensemble palier/ bague vers l'intérieur ou vers l'extérieur en vue d'établir le

FIG. 24

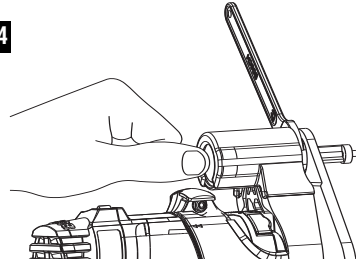


FIG. 25

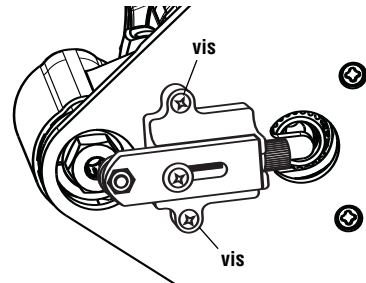
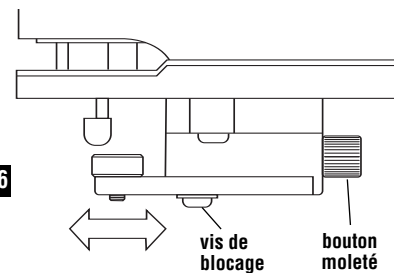


FIG. 26



niveau d'exposition du tranchant nécessaire pour dégrossir le stratifié de façon à ce qu'il soit de niveau avec la surface de guidage ou en vue d'établir l'angle de biseau souhaité.

3. Veillez à ce que le fer se trouve à au moins 3 mm (1/8 po) du guide de l'ensemble de palier/bague pour éviter de causer des dommages.
4. Serrez la vis de blocage à l'aide d'un tournevis cruciforme.
5. Effectuez une coupe d'essai pour vérifier vos réglages et réajuster s'il y a lieu.

### Utilisation de l'embase PR004 avec le guide de l'ensemble palier/bague

1. Une fois le guide installé et ajusté, vous devez faire avancer la toupie normalement, en gardant constamment le guide en contact avec le bord de l'ouvrage.
2. Pour maintenir une largeur de coupe constante, il vous faut conserver un angle de coupe constant entre la toupie et l'ouvrage.

### EMBASE INCLINABLE PR005

(comprise avec le modèle PR20EVSNK, et également disponible comme accessoire en option)

L'embase inclinable PR005 (Fig. 27) est utilisée pour les opérations suivantes :

- Dégrossissage des bords stratifiés au niveau où ils atteignent une surface verticale adjacente, telle que celle d'un dossier de comptoir de cuisine.
- Dégrossissage d'angles spéciaux (Fig. 28).
- Réalisation de coupes en biseau.

L'embase PR005 doit toujours être utilisée avec un fer autoguidé ou muni d'un palier afin de fournir le guidage nécessaire.

#### Installation du moteur

Le moteur doit être installé conformément aux instructions de la page 29.

#### Réglage de l'angle

La course d'inclinaison totale est de 75° (de 45° vers l'avant jusqu'à 30° vers l'arrière).

#### Procédures de réglage (Fig. 29) :

1. Desserrez les deux vis à oreilles.
2. Ajustez l'angle comme vous le souhaitez en vous servant de l'échelle située sur le côté gauche de l'embase. Remarquez qu'il y a des crans d'arrêt tous les 7,5°. Chaque fois que cela est possible, l'embase doit être positionnée avec le moteur incliné vers l'extrémité fermée de l'embase.
3. Serrez les vis à oreilles, mais prenez soin de ne pas les serrer excessivement car cela pourrait endommager l'embase.

#### Réglage de la profondeur

La profondeur doit être ajustée conformément aux instructions de la page 30.

#### Utilisation de la toupie inclinable

Les principes d'utilisation de la toupie inclinable sont essentiellement les mêmes que ceux d'une toupie standard (c. à d. dont le moteur est dans un ensemble d'embase fixe), à deux exceptions près :

1. La saisie correcte dépend de l'angle de coupe et de l'outil utilisé. Il faut saisir la toupie en posant une main sur le moteur et l'autre main sur la partie arrière de l'outil.

**⚠ AVERTISSEMENT** Ne saisissez jamais l'embase directement par le dessus, ou à proximité du fer exposé.

2. Pendant le dégrossissage de bords quand le fer est incliné dans la direction de l'avance de l'ouvrage, il est extrêmement important de garder l'embase d'équerre avec la surface à toupiller. Si la toupie

FIG. 27

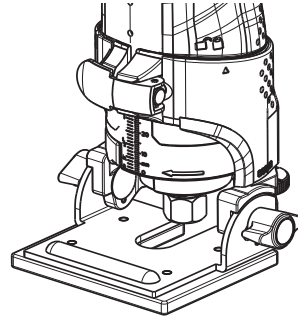


FIG. 28

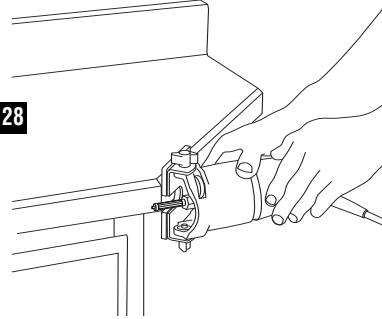
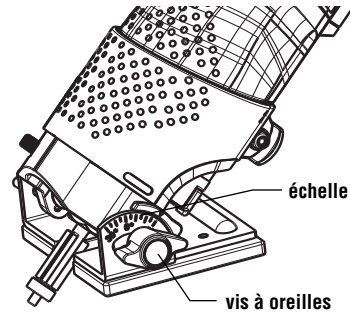


FIG. 29



inclinable est déplacée dans le sens de la surface sur laquelle elle repose, la partie supérieure du tranchant peut creuser profondément dans l'ouvrage.

### ACCESSOIRE PR006 (SOUS-EMBASE POUR JOINTS)

(compris avec le modèle PR20EVSNK, et également disponible comme accessoire en option)

Cet accessoire est utilisé pour créer des joints soignés entre deux panneaux de stratifiés (Fig. 30), communs dans les constructions de montants et rails et également quand on travaille avec de très grandes surfaces. L'accessoire est attaché à la partie inférieure de l'embase fixe PR001.

#### Installation (Fig. 31)

1. Retirez les vis arrière utilisées pour fixer la sous-embase à l'embase fixe PR001.
2. Attachez le côté d'entrée de la sous-embase PR006 sur l'embase fixe PR001 à l'aide de la vis à 6 pans.\*
3. Insérez la roue à cames dans la poche sur le côté de sortie de la sous-embase PR006.
4. Attachez le côté de sortie de la sous-embase PR006 sur l'embase fixe à l'aide de la vis à 6 pans.\*

\*Quand l'accessoire est utilisé avec l'embase à poignée latéral PR007, il faut vous servir des vis de fixation les plus longues.

#### Installation du fer

- Le fer recommandé pour utilisation avec l'accessoire de sous-embase pour joints est le fer Bosch 85213M avec un diamètre de coupe de 1/8 po.
- Le fer doit être installé conformément aux instructions de la page 27.

#### Réglage de la hauteur du fer

Une fois le fer installé, sa hauteur peut être ajustée de la façon suivante :

1. Abaissez le fer jusqu'à ce qu'il pénètre à peine dans le logement qui a été usiné dans la plaque en aluminium de la sous-embase pour joints.
2. L'outil est maintenant prêt pour faire une coupe d'essai.

#### Ajustage d'avant en l'arrière

S'il y a lieu, le point de coupe peut être ajusté d'avant en arrière de la façon suivante (Fig. 32) :

1. Desserrez les deux vis fixant la plaque en aluminium.
2. Utilisez la clé à ergot pour régler l'ajusteur excentrique de la manière suivante :
  - Pour un joint plus serré, faites tourner la came excentrique dans le sens des aiguilles d'une montre (vue depuis le dessous de l'embase).

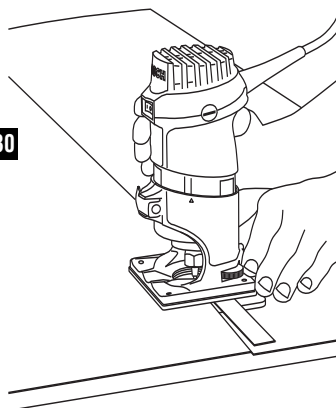


FIG. 30

FIG. 31

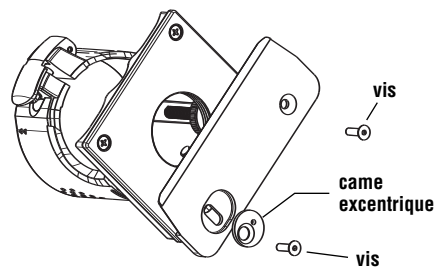
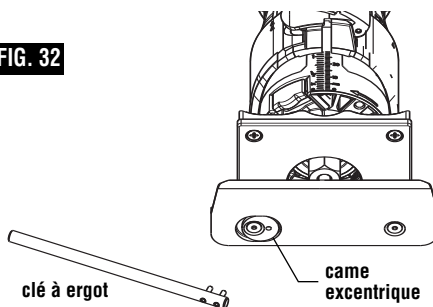


FIG. 32



- Pour un joint moins serré, faites tourner la came excentrique dans le sens inverse des aiguilles d'une montre (vue depuis le dessous de l'embase).
3. Resserrez les vis.
  4. Faites une coupe d'essai.
  5. Répétez les étapes 1 à 4 autant que cela est nécessaire.

### Création d'un joint

1. Pour créer un joint soigné et précis, veillez à ce que la pièce stratifiée de guidage soit munie d'un bord droit et net car elle servira de guide à la sous-embase pour joints.
2. De l'adhésif de contact doit être appliqué sur le matériau noyau du substrat et sur la pièce stratifiée de guidage jusqu'à 1 po de son bord de guidage.
3. La pièce de stratifié doit chevaucher d'environ 1/2 po la pièce de guidage. Le panneau de stratifié superposé passera alors au-dessus de la plaque en aluminium et sera coupé à l'endroit correct par le fer de la toupie.
4. Maintenez une pression constante sur l'outil de façon à ce que le bord de guidage de l'embase reste en contact avec la pièce de stratifié fixe pendant toute la durée de l'opération ; ceci est particulièrement important au début et à la fin d'une coupe.
5. Il est également nécessaire de garder le stratifié fermement appuyé à proximité du joint pour empêcher les copeaux de s'introduire sous le stratifié. La sous-embase à poignée latérale PR007 (disponible en option) comprend une hotte de dépoussiérage qui se connecte à un tuyau d'aspiration et aide à empêcher les copeaux de s'infiltrer sous le stratifié.

### SOUS-EMBASE À POIGNÉE LATÉRALE

(disponible comme accessoire en option)

Consultez la feuille d'instructions PR007 pour des informations complètes relatives à cet accessoire.

La sous-embase à poignée latérale PR007 (Fig. 33) avec kit de dépoussiérage est un accessoire polyvalent qui offre plusieurs fonctions utiles :

- Support supplémentaire de la toupie
- Capacité d'utilisation de diverses rondelles guides
- Capacité d'extraction et de collecte de la poussière

#### Fixation de la PR007 à une toupie à système de préhension par la paume

1. Retirez la sous-embase standard.
2. Fixez la sous-embase à poignée latérale à l'aide des vis à tête cylindrique bombée qui sont fournies avec cet accessoire.

#### Moyens supplémentaires de soutien de la toupie

Le bouton de préhension de la sous-embase PR007 fournit un point de saisie supplémentaire pour l'ensemble de toupie à système de préhension par la paume / sous-embase à poignée latérale. Il a été conçu pour être utilisé quand les toupies à système de préhension par la paume sont utilisées pour des opérations au cours desquelles les ouvrages sont si larges que le bouton repose sur le dessus de l'ouvrage. L'angle de la toupie par rapport à l'ouvrage restera inchangé si vous tenez le bouton appuyé sur l'ouvrage, une mesure particulièrement utile pendant le toupillage de bords.

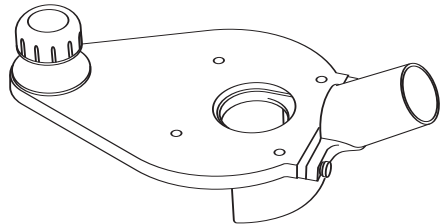
#### Utilisation des guides de gabarits

La sous-embase à poignée latérale PR007 est compatible avec les adaptateurs de guides de gabarits Bosch de la série RA.

#### Fixation d'un guide de gabarit à une sous-embase à poignée latérale

1. Retirez la sous-embase standard.

**FIG. 33**



2. Insérez le guide de gabarit dans la partie supérieure de la sous-embase ronde.
3. Fixez, mais sans serrer pour l'instant, la sous-embase ronde à l'aide des vis à tête cylindrique bombée qui sont fournies avec cet accessoire.
4. Centrez le guide de gabarit autour du fer. Vous pouvez utiliser le cône de centrage RA1150 Bosch vendu en option pour assurer que le guide de gabarit est correctement centré.
5. Serrez les vis à tête cylindrique bombée afin de tenir le guide de gabarit et la sous-embase en position.

**Remarque :** des guides de gabarits filetés conventionnels peuvent être utilisés avec la sous-embase PR007 si vous utilisez l'adaptateur RA1100 pour gabarits filetés.

#### Fixation de la Sous-embase pour joints PR006

L'accessoire PR006 (Sous-embase pour joints) peut aussi être utilisé avec la toupie à système de préhension par la paume et avec la sous-embase à poignée latérale.

**Remarque :** quand l'accessoire d'embase inférieure est utilisé avec l'embase à support latéral, il faut vous servir des vis de fixation les plus longues.

Pour recevoir des instructions supplémentaires, veuillez vous reporter à la section intitulée : Accessoire P006 (Sous-embase pour joints)

### Capacité d'extraction et de collecte de la poussière

Si votre atelier est équipé d'un système d'aspiration, vous pouvez le connecter à l'accessoire d'extraction de la poussière de la sous-embase PR007 afin de retirer la poussière et les débris causés par le toupillage. Cela vous procurera visibilité, précision et facilité, particulièrement pendant le toupillage à main levée.

La fonction antipoussières de la sous-embase PR007 peut être utilisée pendant dans les deux types de toupillage les plus communs :

1. Le toupillage sur des surfaces plates ;
2. La formation de bords.

**⚠ AVERTISSEMENT** Ne mettez pas votre main dans la zone du fer pendant que la toupie est en marche ou branchée. Pour éviter d'emmêler les tuyaux, n'utilisez pas cette hotte de dépoussiérage en même temps qu'une autre hotte de dépoussiérage.

### Extraction de la poussière pendant le toupillage sur des surfaces plates

Fixez l'orifice de dépoussiérage sur l'extrémité arrière de la sous-embase.

1. Positionnez l'orifice sur le côté arrière de la sous-embase.

2. Assujettissez-le à l'aide des deux vis de serrage qui sont incluses.

### Extraction de la poussière pendant la formation de bords

Fixez la hotte et l'orifice de dépoussiérage sur l'extrémité arrière de la sous-embase.

1. Positionnez la hotte sur le côté arrière de la sous-embase.
2. Positionnez l'orifice d'aspiration sur le côté arrière de la hotte de dépoussiérage.
3. Assujettissez à l'aide des deux vis de serrage qui sont incluses.

### Tuyaux d'aspiration compatibles

La dimension de l'orifice de dépoussiérage lui permet d'être compatible avec des tuyaux d'aspirations de 35 mm. La sous-embase PR007 comprend l'adaptateur VAC002 qui permet à l'orifice d'être connecté à des tuyaux d'aspiration de 1-1/4 po et 1-1/2 po. Il vous est également possible de vous procurer séparément un adaptateur permettant de connecter la hotte à des tuyaux de 2-1/2 po.

### COUVERCLE PROTECTEUR D'EMBASE PR008

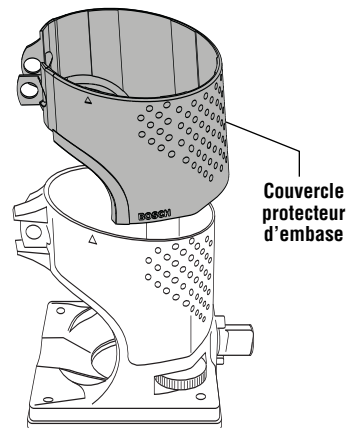
(compris avec l'embase excentrée PR004, et également disponible comme accessoire en option)

Le couvercle protecteur d'embase PR008 (Fig. 34) permet l'isolation de la chaleur de l'outil lors des opérations continues et/ou pendant un usage intensif. Il peut être utilisé sur l'embase fixe PR001 et embase inclinable PR005 et sur l'embase excentrée PR004 (l'équipement standard).

#### Installation du couvercle protecteur d'embase

1. Retirer le collier de serrage.
2. Faites glisser le couvercle sur le dessus de l'embase jusqu'à ce qu'il soit en position.
3. Remettez le collier de serrage en place. Veillez à ce que les rondelles reposent à l'extérieur du couvercle.

FIG. 34





## Entretien

### Service

**⚠ AVERTISSEMENT** Tout entretien préventif effectué par des personnels non autorisés peut résulter en mauvais placement de fils internes ou de pièces, ce qui peut présenter un danger grave. Nous vous conseillons de faire faire tout l'entretien par un centre de service d'usine Bosch ou une station service agréée Bosch.

### LUBRIFICATION DE L'OUTIL

Votre outil Bosch a été lubrifié correctement en usine et il est prêt à l'utilisation. Nous vous conseillons de re-graisser les outils qui comportent des engrenages avec un lubrifiant à engrenages spécial à chaque fois que vous changez les balais.

### BALAIS OU CHARBONS

Les balais (ou charbons) et le collecteur de votre outil ont été conçus pour apporter de nombreuses heures de fonctionnement fiable. Pour maintenir le rendement du moteur à son maximum, nous vous conseillons de contrôler les balais tous les deux à six mois. Il ne faut utiliser que des balais de rechange Bosch d'origine et conçus pour votre outil.

### PALIER

Après environ 300 à 400 heures de fonctionnement ou tous les deux changements de balais, il est conseillé

de faire remplacer les paliers par un centre de service d'usine Bosch ou une station service agréée Bosch. Si les paliers commencent à faire du bruit (à cause de surcharges importantes ou du toupillage de matériaux très abrasifs) il faut les faire remplacer immédiatement pour éviter la surchauffe ou une panne de moteur.

### Nettoyage

**⚠ AVERTISSEMENT** Pour éviter les accidents, il faut toujours débrancher l'outil avant de le nettoyer ou de l'entretenir. Le meilleur moyen de nettoyer l'outil est d'utiliser de l'air comprimé sec. Il faut toujours porter des lunettes de protection quand on utilise de l'air comprimé.

Les ouïes de ventilation et les leviers de l'interrupteur doivent rester propres et exempts de corps étrangers. Ne tentez pas de les nettoyer en enfonçant des objets pointus dans les orifices.

**⚠ MISE EN GARDE** Certains agents de nettoyage et certains dissolvants abîment les pièces en plastique. Parmi ceux-ci se trouvent: l'essence, le tétrachlorure de carbone, les dissolvants de nettoyage chlorés, l'ammoniaque ainsi que les détergents domestiques qui en contiennent.

## Accessoires

**⚠ AVERTISSEMENT** Si un cordon de rallonge s'avère nécessaire, vous devez utiliser un cordon avec conducteurs de dimension adéquate pouvant porter le courant nécessaire à votre outil. Ceci préviendra une chute excessive de tension, une perte de courant ou une surchauffe. Les outils mis à la terre doivent utiliser des cordons de rallonge trifilaires pourvus de fiches à trois broches ainsi que des prises à trois broches.

**REMARQUE :** Plus le calibre est petit, plus le fil est gros.

### DIMENSIONS DE RALLONGES RECOMMANDÉES OUTILS 120 VOLTS COURANT ALTERNATIF

Intensité nominale de l'outil	Calibre A.W.G.				Calibre en mm <sup>2</sup>			
	Longueur en pieds				Longueur en mètres			
	25	50	100	150	15	30	60	120
3-6	18	16	16	14	0,75	0,75	1,5	2,5
6-8	18	16	14	12	0,75	1,0	2,5	4,0
8-10	18	16	14	12	0,75	1,0	2,5	4,0
10-12	16	16	14	12	1,0	2,5	4,0	—
12-16	14	12	—	—	—	—	—	—

- PR002 Guide de toupie droit\*†
- PR003 Guide de palier†
- PR004 Embase excentrée avec guide de dégrossissage†
- PR005 Embase inclinable†
- PR006 Sous-embase pour joints†
- PR007 Sous-embase à poignée latérale avec hotte de dépoussiérage
- PR008 Couvercle protecteur de l'embase
- PR009 Sous-embase ronde pour guide de gabarit de la série RA

- PR010 Sous-embase ronde pour guide de gabarit fileté
- 83038 Ensemble de gabarits à charnières Fers à toupie
- Mallette de transport\*†
- Adaptateur pour tuyaux d'aspiration divers
- Tuyaux d'aspiration

\* avec PR20EVSK  
† avec PR20EVSNK

## Normas generales de seguridad

**ADVERTENCIA** Lea todas las instrucciones. Si no se siguen todas las instrucciones que aparecen a continuación, el resultado podría ser sacudidas eléctricas, incendio y/o lesiones graves. La expresión "herramienta mecánica" en todas las advertencias que aparecen a continuación se refiere a su herramienta mecánica alimentada por la red eléctrica (herramienta alámbrica) o su herramienta mecánica alimentada por baterías (herramienta inalámbrica).

### GUARDE ESTAS INSTRUCCIONES

#### Seguridad del área de trabajo

**Mantenga el área de trabajo limpia y bien iluminada.** Las áreas desordenadas u oscuras invitan a que se produzcan accidentes.

**No utilice herramientas mecánicas en atmósferas explosivas, como por ejemplo en presencia de líquidos, gases o polvos inflamables.** Las herramientas mecánicas generan chispas que pueden incendiar el polvo o los vapores.

**Mantenga alejados a los niños y a las personas que estén presentes mientras esté utilizando una herramienta mecánica.** Las distracciones pueden hacerle perder el control de la herramienta.

#### Seguridad eléctrica

**Los enchufes de las herramientas mecánicas deben coincidir con el tomacorriente. No modifique nunca el enchufe de ningún modo. No use enchufes adaptadores con herramientas mecánicas conectadas a tierra (puestas a tierra).** Los enchufes no modificados y los tomacorrientes coincidentes reducirán el riesgo de sacudidas eléctricas.

**Evite el contacto del cuerpo con las superficies conectadas o puestas a tierra, tales como tuberías, radiadores, estufas y refrigeradores.** Hay un aumento del riesgo de sacudidas eléctricas si el cuerpo del operador se conecta o pone a tierra.

**No exponga las herramientas mecánicas a la lluvia o a condiciones mojadas.** La entrada de agua en una herramienta mecánica aumentará el riesgo de que se produzcan sacudidas eléctricas.

**No maltrate el cordón de energía. No use nunca el cordón para transportar la herramienta mecánica, tirar de ella o desenchufarla. Mantenga el cordón alejado del calor, el aceite, los bordes afilados o las piezas móviles.** Los cordones dañados o enganchados aumentan el riesgo de que se produzcan sacudidas eléctricas.

**Cuando utilice una herramienta mecánica en el exterior, use un cordón de extensión adecuado para uso a la intemperie.** La utilización de un cordón adecuado para uso a la intemperie reduce el riesgo de que se produzcan sacudidas eléctricas.

**No use herramientas mecánicas con capacidad nominal solamente para CA con una fuente de energía de CC.** Aunque pueda parecer que la herramienta funciona correctamente, es probable que los componentes eléctricos de la herramienta con capacidad nominal para CA fallen y creen un peligro para el operador.

**Si es inevitable usar la herramienta mecánica en lugares húmedos, se debe utilizar un interruptor de circuito accionado por corriente de pérdida a tierra (GFCI) para suministrar energía a la herramienta.** Un GFCI y los dispositivos de protección personal, como guantes de goma y calzado de goma de electricista, mejorarán más su seguridad personal.

#### Seguridad personal

**Manténgase alerta, fíjese en lo que está haciendo y use el sentido común cuando esté utilizando una herramienta mecánica. No use una herramienta mecánica cuando esté cansado o bajo la influencia de drogas, alcohol o medicamentos.** Un momento de distracción mientras esté utilizando herramientas mecánicas podría causar lesiones corporales graves.

**Use equipo de seguridad. Use siempre protección de los ojos.** El equipo de seguridad, como por ejemplo una máscara antipolvo, calzado de seguridad antideslizante, casco o protección de oídos, utilizado para las condiciones apropiadas, reducirá las lesiones corporales.

**Evite el arranque accidental. Asegúrese de que el interruptor esté en la posición de apagado antes de enchufar la herramienta.** Si se transportan herramientas mecánicas con el dedo en el interruptor o se enchufan herramientas mecánicas que tienen el interruptor en la posición de encendido, se invita a que se produzcan accidentes.

**Quite todas las llaves de ajuste o de tuerca antes de encender la herramienta mecánica.** Una llave de tuerca o de ajuste que se deje colocada en una pieza giratoria de la herramienta mecánica podría causar lesiones corporales.

**No intente alcanzar demasiado lejos. Mantenga un apoyo de los pies y un equilibrio apropiados en todo momento.** Esto permite controlar mejor la herramienta mecánica en situaciones inesperadas.

**Vístase adecuadamente. No use ropa holgada ni alhajas holgadas. Mantenga el pelo, la ropa y los guantes alejados de las piezas móviles.** La ropa holgada, las alhajas holgadas o el pelo largo pueden quedar atrapados en las piezas móviles.

**Si se proporcionan dispositivos para la conexión de instalaciones de extracción y recolección de polvo, asegúrese de que dichas instalaciones estén conectadas y se usen correctamente.** El uso de estos dispositivos puede reducir los peligros relacionados con el polvo.

**Mantenga los mangos secos, limpios y libres de aceite y grasa.** Las manos resbalosas no pueden controlar de modo seguro la herramienta mecánica.

### Uso y cuidado de las herramientas mecánicas

**No fuerce la herramienta mecánica. Use la herramienta mecánica correcta para la aplicación que desee realizar.** La herramienta mecánica correcta hará el trabajo mejor y con más seguridad a la capacidad nominal para la que fue diseñada.

**No use la herramienta mecánica si el interruptor no la enciende y apaga.** Toda herramienta mecánica que no se pueda controlar con el interruptor es peligrosa y debe ser reparada.

**Desconecte el enchufe de la fuente de energía y/o el paquete de batería de la herramienta mecánica antes de hacer cualquier ajuste, cambiar accesorios o almacenar herramientas mecánicas.** Dichas medidas preventivas de seguridad reducen el riesgo de arrancar accidentalmente la herramienta mecánica.

**Guarde las herramientas que no esté usando fuera del alcance de los niños y no deje que personas que no estén familiarizadas con la herramienta mecánica o con estas instrucciones utilicen la herramienta.** Las herramientas mecánicas son peligrosas en manos de usuarios que no hayan recibido capacitación.

**Mantenga las herramientas mecánicas. Compruebe si hay piezas móviles desalineadas o que se atorán, si hay piezas rotas y si existe cualquier otra situación que podría afectar el funcionamiento de la herramienta mecánica. Si la herramienta mecánica está dañada, haga que la reparen antes de usarla.** Muchos accidentes son causados por herramientas mecánicas mantenidas deficientemente.

**Mantenga las herramientas de corte afiladas y limpias.** Es menos probable que las herramientas de corte mantenidas apropiadamente, con bordes de corte afilados, se atorren, y dichas herramientas son más fáciles de controlar.

**Use la herramienta mecánica, los accesorios, las brocas de la herramienta, etc., de acuerdo con estas instrucciones y de la manera prevista para el tipo específico de herramienta mecánica, teniendo en cuenta las condiciones de trabajo y el trabajo que se vaya a realizar.** El uso de la herramienta mecánica para operaciones distintas a aquéllas para las que fue diseñada podría causar una situación peligrosa.

**Use abrazaderas u otro modo práctico de sujetar y soportar la pieza de trabajo en una plataforma estable.** Si se sujeta la pieza de trabajo con la mano o contra el cuerpo, se crea una situación inestable que podría causar pérdida de control.

### Servicio de ajustes y reparaciones

**Haga que su herramienta mecánica reciba servicio de un técnico de reparaciones calificado, utilizando únicamente piezas de repuesto idénticas.** Esto asegurará que se mantenga la seguridad de la herramienta mecánica.

**Desarrolle un programa de mantenimiento periódico de la herramienta. Cuando limpie una herramienta, tenga cuidado de no desmontar ninguna de sus partes, ya que los cables internos podrían reubicarse incorrectamente o pellizcarse, o los resortes de retorno de los protectores de seguridad podrían montarse incorrectamente.** Ciertos agentes de limpieza, tales como gasolina, tetracloruro de carbono, amoníaco, etc., podrían dañar las piezas de plástico.

## GUARDE ESTAS INSTRUCCIONES

### Normas de seguridad para fresadoras

**Sujete siempre la herramienta por las superficies de agarre aisladas al realizar una operación en la que la herramienta de corte pueda entrar en contacto con cables ocultos o con su propio cordón.** El contacto con un cable con corriente transmitirá corriente a las piezas metálicas al descubierto y hará que el operador reciba sacudidas eléctricas. *Si el corte en paredes existentes u otras áreas ciegas donde puedan existir cables eléctricos es inevitable, desconecte todos los fusibles o cortacircuitos que alimentan el lugar de trabajo.*

**Asegúrese siempre de que la superficie de trabajo no tenga clavos ni otros objetos extraños.** El corte de un clavo puede hacer que la broca y la herramienta salten y que la broca se dañe.

**Nunca tenga la pieza de trabajo en una mano y la herramienta en la otra al utilizarla. Nunca ponga las manos cerca o debajo de la superficie de corte.** Es más seguro fijar con abrazaderas el material y guiar la herramienta con ambas manos.

**Nunca ponga la pieza de trabajo sobre superficies duras, tales como hormigón, piedra, etc...** la broca de corte que sobresale podrá hacer que la herramienta salte.

**Use siempre gafas de seguridad y máscara antipolvo. Use la herramienta únicamente en un área bien ventilada.** La utilización de dispositivos de seguridad personal y el trabajar en un entorno seguro reducen el riesgo de que se produzcan lesiones.

**Después de cambiar las brocas o de hacer ajustes, asegúrese de que la tuerca del portaherramienta y otros dispositivos de ajuste estén apretados firmemente.** Un dispositivo de ajuste flojo puede desplazarse inesperadamente, causando pérdida de control, y los componentes giratorios flojos saldrán despedidos violentamente.

**Nunca arranque la herramienta cuando la broca esté acoplada en el material.** El borde de corte de la broca puede engancharse en el material, causando pérdida de control de la cortadora.

**Sujete siempre la herramienta con las dos manos durante el arranque.** El par de reacción del motor puede hacer que la herramienta se tuerza.

**El sentido de avance de la broca en el material es muy importante y está relacionado con el sentido de giro de la broca. Al mirar a la herramienta desde arriba, la broca gira en el sentido de las agujas del reloj. El sentido de avance de corte debe ser en contra de las agujas del reloj.** NOTA: Los cortes interiores y exteriores requerirán un sentido de avance distinto; consulte la sección sobre avance de la fresadora. El hacer avanzar la herramienta en sentido incorrecto hace que el borde de corte de la broca se salga de la pieza de trabajo y tire de la herramienta en el sentido de este avance.

**Nunca use brocas desafiladas o dañadas. Las brocas afiladas se deben manejar con cuidado.** Las brocas dañadas pueden romperse bruscamente durante el uso. Las brocas desafiladas requieren más fuerza para empujar la herramienta, con lo que es posible que la broca se rompa.

**Nunca toque la broca durante ni inmediatamente después de la utilización.** Después del uso, la broca está demasiado caliente como para tocarla con las manos desnudas.

**Nunca deje la herramienta hasta que el motor se haya detenido por completo.** La broca que gira puede engancharse en la superficie y tirar de la herramienta haciendo que usted pierda el control.

**Nunca utilice brocas que tengan un diámetro de corte mayor que la abertura de la base.**

**⚠ ADVERTENCIA** Cierta polvo generado por el lijado, aserrado, amolado y taladrado mecánicos, y por otras actividades de construcción, contiene agentes químicos que se sabe que causan cáncer, defectos de nacimiento u otros daños sobre la reproducción. Algunos ejemplos de estos agentes químicos son:

- Plomo de pinturas a base de plomo,
- Sílice cristalina de ladrillos y cemento y otros productos de mampostería, y
- Arsénico y cromo de madera tratada químicamente.

Su riesgo por causa de estas exposiciones varía, dependiendo de con cuánta frecuencia realice este tipo de trabajo. Para reducir su exposición a estos agentes químicos: trabaje en un área bien ventilada y trabaje con equipo de seguridad aprobado, como por ejemplo máscaras antipolvo que estén diseñadas especialmente para impedir mediante filtración el paso de partículas microscópicas.

## Símbolos

**IMPORTANTE:** Es posible que algunos de los símbolos siguientes se usen en su herramienta. Por favor, estúdielos y aprenda su significado. La interpretación adecuada de estos símbolos le permitirá utilizar la herramienta mejor y con más seguridad.

Símbolo	Nombre	Designación/explicación
V	Volt	Tensión (potencial)
A	Ampere	Corriente
Hz	Hertz	Frecuencia (ciclos por segundo)
W	Watt	Potencia
kg	Kilogramo	Peso
min	Minuto	Tiempo
s	Segundo	Tiempo
∅	Diámetro	Tamaño de las brocas taladradoras, muelas, etc
$n_0$	Velocidad sin carga	Velocidad rotacional sin carga
.../min	Revoluciones o alternación por minuto	Revoluciones, golpes, velocidad de superficie, órbitas, etc., por minuto
0	Posición "off" (apagado)	Velocidad cero, par motor cero...
1, 2, 3, ... I, II, III,	Graduaciones del selector	Graduaciones de velocidad, par motor o posición. Un número más alto significa mayor velocidad
	Selector infinitamente variable con apagado	La velocidad aumenta desde la graduación de 0
	Flecha	Acción en la dirección de la flecha
	Corriente alterna	Tipo o una característica de corriente
	Corriente continua	Tipo o una característica de corriente
	Corriente alterna o continua	Tipo o una característica de corriente
	Construcción de clase II	Designa las herramientas de construcción con aislamiento doble.
	Terminal de toma de tierra	Terminal de conexión a tierra
	Símbolo de advertencia	Alerta al usuario sobre mensajes de advertencia
	Sello RBRC™ de Ni-Cd	Designa el programa de reciclaje de baterías de Ni-Cd



Este símbolo indica que esta herramienta está catalogada por Underwriters Laboratories.



Este símbolo indica que Underwriters Laboratories ha catalogado esta herramienta indicando que cumple las normas canadienses.



Este símbolo indica que esta herramienta cumple con la norma mexicana oficial (NOM).



Este símbolo indica que esta herramienta está catalogada por la Canadian Standards Association.

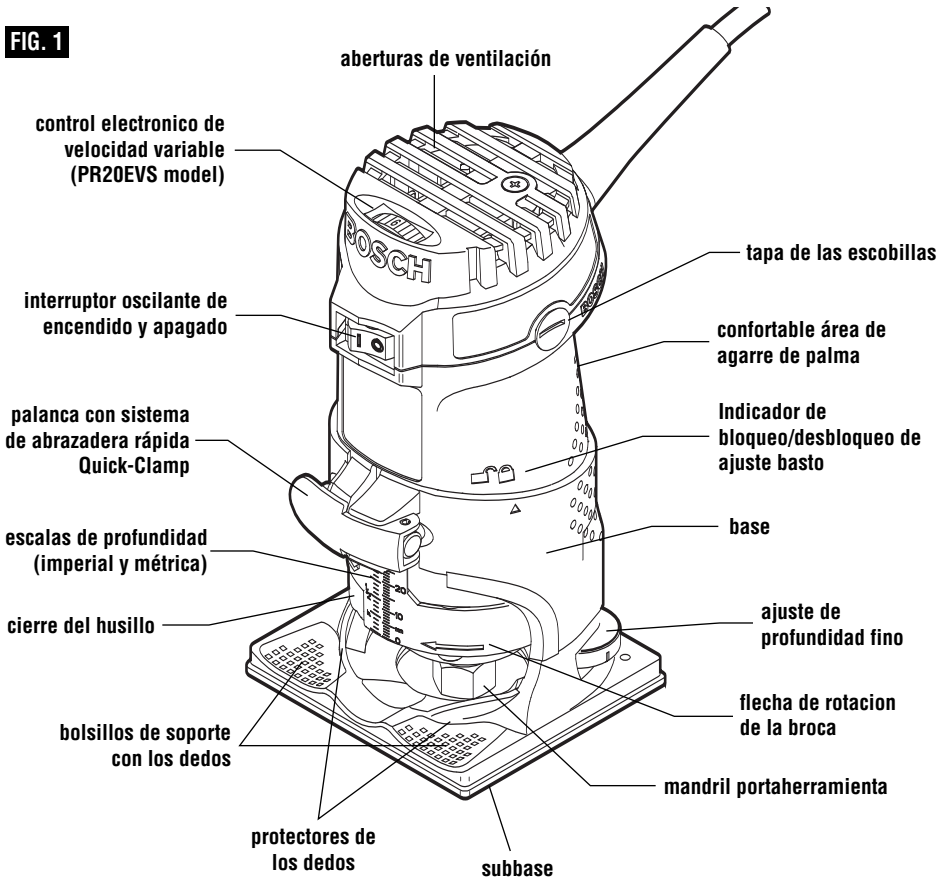


Este símbolo indica que esta herramienta está catalogada por Underwriters Laboratories y que Underwriters Laboratories la ha catalogado según las normas canadienses.

## Descripción funcional y especificaciones

**⚠ ADVERTENCIA** Desconecte el enchufe de la fuente de energía antes de realizar cualquier ensamblaje o ajuste, o cambiar accesorios. Estas medidas de seguridad preventivas reducen el riesgo de arrancar la herramienta accidentalmente.

**FIG. 1**



**Número de modelo**

Tensión nominal  
 Amperaje nominal  
 Capacidad sin carga  
 Capacidad del portaherramienta  
 Max. Cutter Diameter

**PR10E**

120V~60Hz  
 5.7  
 no 35,000  
 1/4" shank  
 \*

**PR20EVS**

120V~60Hz  
 5.7  
 no 16,000-35,000  
 1/4" shank  
 \*

\*El diámetro del cortador debe ser al menos 1/4" más pequeño que la abertura para la broca y el cortador.

## Ensamblaje

### SELECCIÓN DE BROCAS

La fresadora con agarre de palma Bosch está diseñada para realizar una amplia variedad de aplicaciones de fresado que usan brocas con vástago de 1/4". Estas aplicaciones incluyen aplicaciones de elaboración de la madera, tales como conformado de bordes, ranurado y realización de letreros. Esta fresadora también es ideal para recortar materiales laminares, materiales fenólicos y otros materiales que hayan sido adheridos a adorno recortado en el borde de un substrato y que típicamente sobresalgan del substrato aproximadamente 1/8" (3 mm).

Hay disponible como accesorios un amplio surtido de brocas de fresadora con distintos perfiles. Utilice un cuerpo de broca de 1/2 pulgada siempre que sea posible, y use solamente brocas de buena calidad.

**ADVERTENCIA** Para evitar lesiones personales, saque siempre el enchufe de la fuente de energía antes de quitar o instalar brocas o accesorios.

### INSTALACIÓN DE UNA BROCA DE FRESADORA

1. Ponga la fresadora sobre uno de sus lados, de manera que el lado trasero de la base descansa en el banco de trabajo. La parte superior de la fresadora tiene un diseño plano para que la fresadora pueda sostenerse de pie sobre un extremo durante los cambios de broca, si así se prefiere.
2. Presione el cierre del husillo para evitar la rotación del mandril portaherramienta. **NOTA:** Es posible que sea necesario girar la tuerca del portaherramienta para acoplar el cierre del husillo (Fig. 2).\*
3. Seguidamente, use la llave de tuerca para portaherramienta para aflojar el conjunto de mandril portaherramienta en sentido contrario al de las agujas del reloj (visto desde la parte inferior de la fresadora).
4. Introduzca el cuerpo de la broca de fresadora en el conjunto del mandril portaherramienta tanto como se pueda y luego sáquele parcialmente hasta que los cortadores estén aproximadamente a una distancia de 1/8 a 1/4 de pulgada de la cara de la tuerca del portaherramienta.
5. Con la broca de fresadora introducida y el cierre del husillo acoplado, utilice la llave de tuerca para portaherramienta para apretar firmemente el conjunto de mandril portaherramienta en el sentido de las agujas del reloj (visto desde la parte inferior de la fresadora) (Fig. 3).\*

Para asegurarse de que la broca de fresadora quede agarrada apropiadamente, así como para minimizar el descentramiento, el cuerpo de la broca de fresadora debe introducirse al menos 5/8 de pulgada.

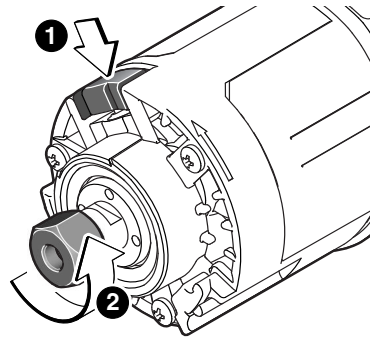


FIG. 2

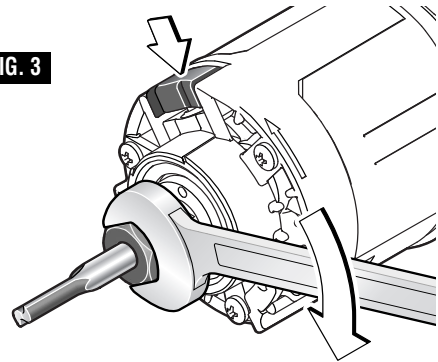


FIG. 3

\*Como alternativa al cierre del husillo, se puede usar una llave de tuerca delgada de 10 mm en las superficies planas del husillo.

**ADVERTENCIA** El diámetro del cortador debe ser al menos 1/4" más pequeño que la abertura para la broca y el cortador.

Para evitar daños a la herramienta, no apriete el portaherramienta si no tiene colocada una broca.

**NOTA:** El cuerpo de la broca y el mandril deben estar limpios y no tener polvo, madera, residuos ni grasa antes de realizar el montaje.

### REMOCIÓN DE LA BROCA DE FRESADORA

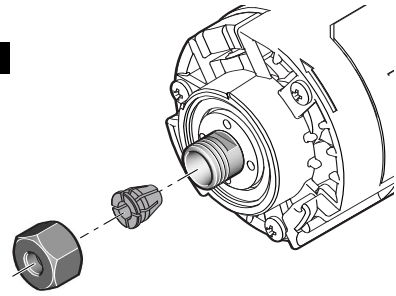
1. Presione el cierre del husillo para impedir la rotación del mandril portaherramienta y gire el conjunto de mandril portaherramienta en sentido contrario al de las agujas del reloj.
2. Una vez que el conjunto de mandril portaherramienta esté suelto, siga girando dicho conjunto hasta que suelte el portaherramienta de su área cónica y entonces la broca de fresadora podrá quitarse.

**NOTA:** El mandril portaherramienta es de extracción automática; NO es necesario golpear el mandril portaherramienta para soltar la broca de fresadora.

### CUIDADO DEL MANDRIL PORTAHERRAMIENTA

Con la broca de fresadora quitada, siga girando el mandril portaherramienta en sentido contrario al de las agujas del reloj hasta que se suelte del eje. Para asegurarse de lograr un agarre firme, limpie ocasionalmente el mandril portaherramienta con aire comprimido y limpie el área cónica del eje del conjunto del inducido con un pañuelo de papel o un cepillo fino. El mandril portaherramienta está constituido por dos piezas componentes que se acoplan a presión entre sí (Fig. 4); asegúrese de que el portaherramienta esté asentado apropiadamente en la tuerca del mandril portaherramienta y enrosque ligeramente el mandril portaherramienta de vuelta en el eje del inducido. Cambie inmediatamente los mandriles portaherramienta desgastados o dañados.

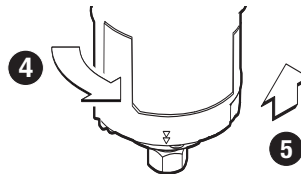
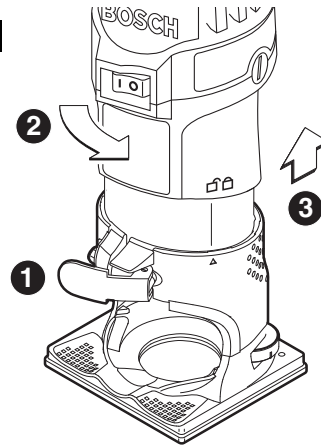
**FIG. 4**



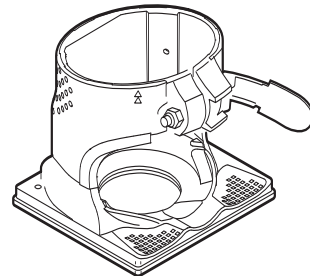
### REMOCIÓN DEL MOTOR DE LA BASE

1. Abra la palanca de fijación (Fig. 5).
2. Gire el motor de modo que el triángulo único ubicado en la base se alinee con el símbolo de "desbloqueado" ubicado en el motor. (Asegúrese de que la indicación de la base esté alineada con la línea ubicada debajo del símbolo de "desbloqueado" situado en el motor. De lo contrario, la fresadora puede resultar dañada.) (Fig. 5).
3. Tire del motor alejándolo de la base hasta que se detenga (Fig. 5).
4. Gire el motor en sentido contrario al de las agujas del reloj hasta que se detenga (Fig. 6).
5. Tire del motor hasta separarlo de la base (Fig. 6).

**FIG. 5**



**FIG. 6**

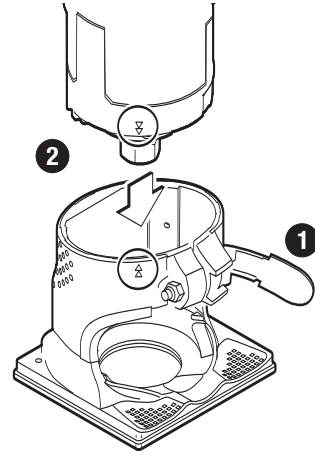




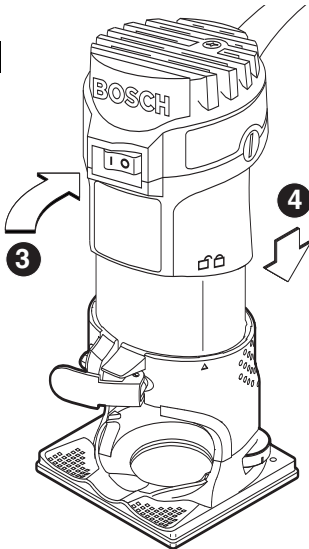
### INSTALACIÓN DEL MOTOR EN LA BASE

1. Abra la palanca de fijación (Fig. 7).
2. Alinee los triángulos dobles ubicados en la base y el motor y luego introduzca el motor en la base hasta que se detenga (Fig. 7).
3. Gire el motor en el sentido de las agujas del reloj hasta que el triángulo único se alinee con el símbolo de "desbloqueado". (Asegúrese de que la indicación de la base esté alineada con la línea ubicada debajo del símbolo de "desbloqueado" situado en el motor. De lo contrario, la fresadora podría resultar dañada.) (Fig. 8).
4. Mueva el motor al interior de la base hasta que se haya alcanzado la profundidad deseada aproximada (Fig. 8).
5. Gire el motor en el sentido de las agujas del reloj aproximadamente 1/4" hasta que el triángulo único se alinee con el símbolo de "bloqueado" (Fig. 9).
6. Cierre la palanca de fijación. Asegúrese siempre de que el motor quede asentado firmemente en la base. (La tensión de la palanca de fijación se puede cambiar reajustando la tuerca.) (Fig. 9).

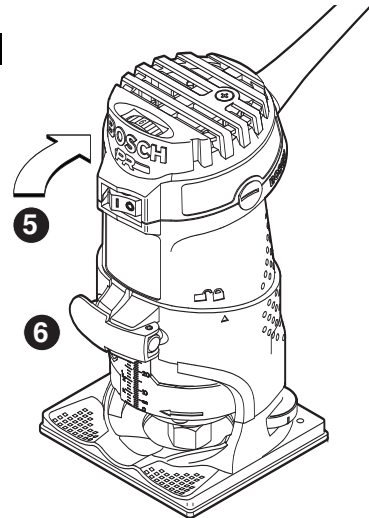
**FIG. 7**



**FIG. 8**



**FIG. 9**



## Instrucciones de funcionamiento

Las fresadoras Bosch están diseñadas para brindar velocidad, precisión y conveniencia en la realización de trabajo de armarios, fresado de estrías, realización de molduras convexas, corte de molduras cóncavas, redondeado de bordes, realización de colas de milano, etc. Estas fresadoras le permitirán realizar trabajo de incrustación, bordes decorativos y muchos tipos de fresado especial.

### AJUSTE DE LA PROFUNDIDAD DE CORTE

Ajuste la profundidad de corte solamente cuando el motor esté apagado.

1. Instale la broca de fresadora deseada.
2. Coloque la fresadora sobre la pieza de trabajo.
3. Abra la palanca de fijación. Fig. 10(A)
4. Gire el motor aproximadamente 1/4" en el sentido de las agujas del reloj de modo que el triángulo único ubicado en la base se alinee con el símbolo de "desbloqueado" ubicado en el motor. Fig. 10(B) (Asegúrese de que la indicación de la base esté alineada con la línea ubicada debajo del símbolo de "desbloqueado" situado en el motor. De lo contrario, la fresadora puede resultar dañada.)
5. Baje lentamente el motor hasta que la broca de fresadora toque la pieza de trabajo. Fig. 10(C)
6. Anote la lectura de la escala (debajo de la palanca de fijación) y añada la profundidad de corte deseada a este valor para determinar el valor de la escala objetivo.
7. Baje el motor hasta que se alcance el valor de la escala objetivo. Fig. 10(C)
8. Gire el motor en el sentido de las agujas del reloj aproximadamente 1/4" hasta que el triángulo único se alinee con el símbolo de "bloqueado". Fig. 10(B)
9. Cierre la palanca de fijación. Asegúrese siempre de que el motor quede firmemente sujeto en la base. Fig. 10(A) (La tensión de la palanca de fijación se puede cambiar reajustando la tuerca.)
10. Compruebe la profundidad de corte y haga un ajuste fino si es necesario. (Nota: es posible que la profundidad del motor y de la broca cambie muy ligeramente al cerrar la palanca de fijación.)
11. Haga un corte de prueba para verificar si la fresadora está ajustada para realizar el corte tal como se desea.

### AJUSTE DE PROFUNDIDAD FINO

Ajuste la profundidad de corte solamente cuando el motor esté apagado.

1. Abra la palanca de fijación. Fig. 10(A)
2. Ajuste la profundidad de corte deseada con la rueda estriada ubicada en la parte trasera de la base. Fig. 10(D)

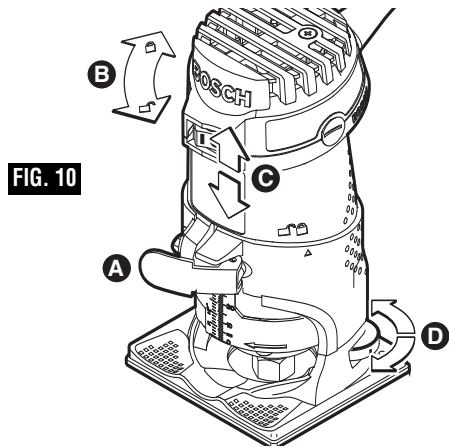


FIG. 10

3. Gire la rueda estriada en el sentido de las agujas del reloj para aumentar la profundidad de fresado y en sentido contrario al de las agujas del reloj para reducir la profundidad de corte. Cada rotación completa del dial equivale a 1.25 mm (aproximadamente 3/64").
4. Cierre la palanca de fijación. Asegúrese siempre de que el motor quede firmemente sujeto en la base. Si se reajusta la tuerca, se puede cambiar la tensión de la palanca de fijación. (Consulte "Para fijar el motor" que aparece más adelante.)
5. Compruebe la profundidad de corte y haga un ajuste fino adicional si es necesario. (Nota: es posible que la profundidad del motor y de la broca cambie muy ligeramente al cerrar la palanca de fijación.)
6. Haga un corte de prueba para verificar que la fresadora está ajustada para realizar el corte tal como se desea.

### PARA FIJAR EL MOTOR

Quando se hayan hecho los ajustes bastos y finos finales, fije la palanca de fijación de la base para asegurar los ajustes. (Si se desea una fuerza de sujeción adicional: utilizando una llave de tuerca de 8 mm, gire la tuerca de fijación en el sentido de las agujas de reloj LIGERAMENTE (1/8 de vuelta o menos) y luego pruebe la sujeción. No apriete excesivamente la tuerca.)

### CORTES PROFUNDOS

Para realizar cortes más profundos, haga varios cortes progresivamente más profundos comenzando a una profundidad y luego haga varias pasadas subsiguientes, aumentando la profundidad de corte con cada pasada.

Para estar seguro de que los ajustes de profundidad son los deseados, es posible que quiera hacer cortes de prueba en material de desecho antes de comenzar el trabajo.

### INTERRUPTOR OSCILANTE DE ENCENDIDO Y APAGADO

La herramienta puede encenderse o apagarse utilizando el interruptor oscilante ubicado en la caja del motor. Un lado del interruptor está marcado con la letra "I", que representa encendido, y el otro lado del interruptor está marcado con la letra "O", que representa apagado.

**PARA ENCENDER LA HERRAMIENTA:** Empuje el lado del interruptor marcado con la letra "I".

**PARA APAGAR LA HERRAMIENTA:** Empuje el lado del interruptor que está marcado con la letra "O".

Sostenga siempre la fresadora de manera que esté separada de la pieza de trabajo cuando accione el interruptor para apagarla o encenderla. Ponga la fresadora en contacto con la pieza de trabajo después de que la herramienta haya alcanzado su velocidad plena y retírela de la pieza de trabajo antes de apagarla accionando el interruptor. Al utilizar la fresadora de esta manera, se prolongará la duración del interruptor y del motor y se aumentará considerablemente la calidad del trabajo que se realiza.

### DISPOSITIVO DE ARRANQUE SUAVE

El control electrónico de retroacción minimiza la torsión debida al par motor habitual en las fresadoras, al limitar la velocidad a la que el motor arranca.

### CONTROL ELECTRONICO DE VELOCIDAD VARIABLE (Modelo PR20EVS únicamente)

El dispositivo de control electrónico de velocidad permite que la velocidad del motor se haga corresponder con el tamaño del cortador y la dureza del material a fin de proporcionar un acabado mejor, prolongar la vida de la broca y producir un rendimiento mayor. Los cambios de velocidad se logran girando el dial de control hacia la DERECHA para aumentar la velocidad y hacia la IZQUIERDA para reducirla, según se indica en la caja protectora (Fig. 1). La velocidad se puede cambiar mientras la herramienta está encendida. Los números de referencia del dial facilitan el cambio de posición del control a la velocidad deseada.

#### POSICIÓN DEL DIAL

POSICIÓN DEL DIAL	RPM	APLICACIÓN
1	16000	} Brocas y cortadores de diámetro más grande
2	18000	
3	20000	
4	22500	} Maderas blandas, plásticos, materiales laminares y brocas y cortadores de diámetro más pequeño
5	26500	
6	35000	

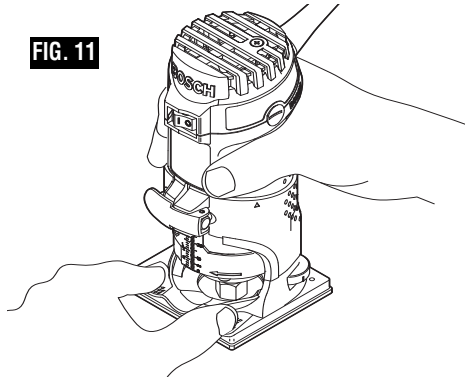
El cuadro de velocidades indica la relación entre las posiciones y la aplicación. Las posiciones exactas son determinadas por la experiencia y preferencia del

operador. El fabricante de la broca también puede tener una recomendación de velocidades.

### CIRCUITERÍA CONSTANT RESPONSE™

La circuitería de respuesta constante Constant Response™ de la fresadora vigila y ajusta la potencia para mantener las RPM deseadas con el fin de lograr un rendimiento y un control uniformes.

FIG. 11



### AVANCE DE LA FRESADORA

Además del área de agarre de palma principal ubicada en la parte trasera de la carcasa del motor y la base, la base tiene bolsillos de soporte con los dedos exclusivos de Bosch para proporcionar estabilidad adicional a la fresadora. Los bolsillos cuentan con protectores de los dedos para proporcionar una barrera entre los bolsillos de soporte con los dedos y el área de la broca (Fig. 11).

Tal como se ve desde la parte de arriba de la fresadora, la broca gira en el sentido de las agujas del reloj y los bordes de corte están orientados correspondientemente. Por lo tanto, el corte más eficaz se realiza haciendo avanzar la fresadora de manera que la broca gire hacia la pieza de trabajo, no alejándose de ésta. En la Figura 12 se muestra el avance apropiado para varios cortes. La velocidad de avance depende de la dureza del material y del tamaño del corte. Para algunos materiales, es mejor hacer varios cortes cada vez más profundos.

Si es difícil controlar la fresadora o si la fresadora se calienta, funciona muy lentamente o deja un corte imperfecto, considere estas causas:

1. Sentido de avance incorrecto: difícil de controlar.
2. Avance demasiado rápido: sobrecarga el motor.
3. Broca desafilada: sobrecarga el motor.
4. El corte es demasiado grande para una pasada: sobrecarga el motor.
5. Avance demasiado lento: deja quemaduras por fricción en la pieza de trabajo.

Haga avanzar suave y firmemente la fresadora (no la fuerce). Pronto aprenderá el sonido y la sensación de la fresadora cuando está funcionando mejor.

### VELOCIDAD DE AVANCE

Al fresar o realizar trabajo relacionado en madera y plásticos, los mejores acabados se obtendrán si la profundidad de corte y la velocidad de avance se regulan para mantener el motor funcionando a alta velocidad. Haga avanzar la fresadora a una velocidad moderada. Los materiales blandos requieren una velocidad de avance más rápida que los materiales duros.

Es posible que la fresadora se detenga si se utiliza inapropiadamente o si se sobrecarga. Reduzca la velocidad de avance para evitar daños posibles a la herramienta. Asegúrese siempre de que el mandril portaherramienta esté apretado firmemente antes de utilizar la herramienta. Utilice siempre brocas de fresadora con la longitud de corte más corta necesaria para producir el corte deseado. Esto minimizará el descentrado y el rechinamiento de la broca de fresadora.

Puede que sea necesario hacer el corte realizando más de una pasada con ajustes progresivamente más profundos para evitar sobrecargar el motor. Si la broca corta libremente y el motor no pierde velocidad, generalmente la profundidad de corte es correcta.

### GUIADO DE LA FRESADORA

La fresadora puede guiarse por la pieza de trabajo de cualquiera de varias maneras. El método que usted utilice depende, por supuesto, de las exigencias del trabajo específico y de la conveniencia.

Para operaciones de fresado como ranurado o mortajado, a menudo es necesario guiar la herramienta en una línea paralela a un borde recto. Un método de obtener un corte recto es sujetar firmemente un tabla u otro borde recto a la superficie de la pieza de trabajo y guiar el borde de la subbase de la fresadora a lo largo de esta trayectoria (Fig. 13).

### GUÍA DE FRESADORA RECTA

(Incluida con el modelo PR20EVSK. Disponible también como accesorio opcional)

La guía de fresadora es un accesorio opcional que guiará la fresadora paralela a un borde recto (Fig. 14).

La guía de fresadora se suministra en dos partes sujetas una a otra con un perno, una tuerca de mariposa y una arandela. También incluye un tornillo de mariposa y una arandela para sujetar la guía a la fresadora.

La guía también cuenta con una escala para posicionar con precisión la guía de borde en relación con la broca. Con la guía instalada y ajustada, se debe hacer avanzar la fresadora normalmente, manteniendo la guía en contacto con el borde de la pieza de trabajo en todo momento.

La guía de fresadora también se puede posicionar directamente debajo de la base de la fresadora para realizar operaciones en las que se necesite hacer un corte cerca del borde de la pieza de trabajo o en dicho borde.

FIG. 12

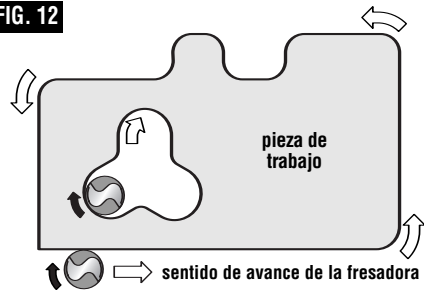


FIG. 13

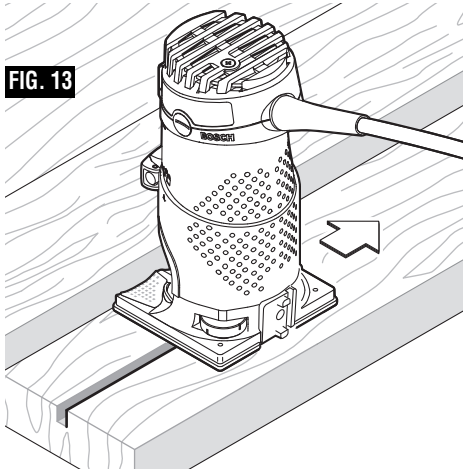
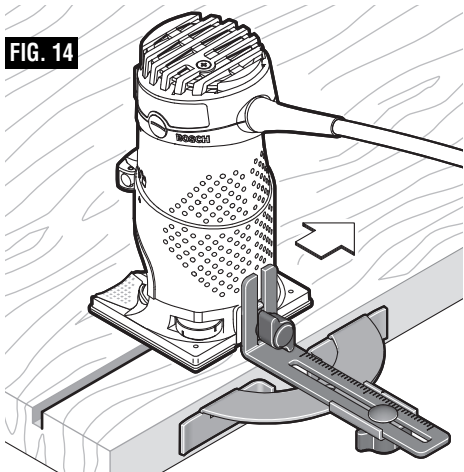


FIG. 14



## UTILIZACION DE BROCAS AUTOPILOTADAS

Las brocas autopilotadas tienen una punta redonda o rodamiento de bola integral que se desplaza apoyado sobre la superficie de trabajo por encima o por debajo de los cortadores para controlar la profundidad de corte horizontal (Fig. 15). Al utilizar estas brocas, no se requiere la guía de rodillo ni la guía recta. Al guiar el piloto por una superficie de material laminar, utilice cera u otro lubricante y no ejerza una presión excesiva si no el extremo pilotado puede estropear la pieza de trabajo. Los pilotos de rodamientos se deben mantener limpios y libres de adhesivo u otros residuos. Los rodamientos de las brocas de fresadora están sellados y lubricados permanentemente y se deben cambiar cuando dejen de girar libremente para evitar dañar la superficie de trabajo.

### GUÍA DE RODILLO/CASQUILLO PR003

(Incluida con el PR20EVSNK, disponible también como accesorio opcional)

La guía de rodillo/casquillo PR003 opcional se requiere cuando se conforman bordes o se recorta con brocas no pilotadas o brocas sin cojinete.

#### Instalación de la guía de rodillo/casquillo

La guía de rodillo/casquillo PR003 se instala utilizando el tornillo de mariposa y la arandela.

Ajuste de la guía de rodillo/casquillo

#### Ajuste vertical:

1. Afloje el tornillo de mariposa y ajústelo hacia arriba o hacia abajo según sea necesario para permitir que el rodillo/casquillo se desplace sobre la superficie de guiado prevista.
2. Apriete el tornillo de mariposa.

#### Ajuste horizontal:

Tanto si se están haciendo cortes rectos como cortes en bisel, la anchura del material quitado se determina por la distancia entre la parte delantera del cortador de la broca de fresadora y la parte delantera del rodillo/casquillo. Ajuste la parte delantera del rodillo/casquillo de la manera siguiente:

1. Afloje la tuerca de mariposa ubicada en la parte inferior.
2. Gire la tuerca de mariposa ubicada en la parte de atrás de la guía para mover el rodillo/casquillo hacia dentro o hacia fuera, con el fin de crear la cantidad de exposición del cortador necesaria para recortar el material laminar al ras con la superficie de guiado o para crear el bisel deseado.
3. Asegúrese que la broca quede al menos a 1/8" (3 mm) de la parte superior de la guía de rodillo/casquillo para evitar daños.

FIG. 15

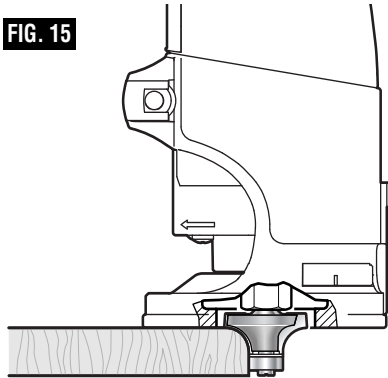
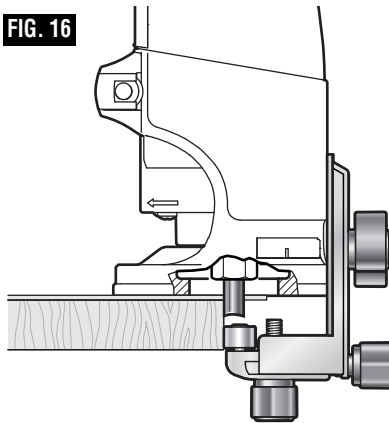


FIG. 16



4. Apriete la tuerca de mariposa ubicada en la parte inferior del ensamblaje de la guía.
5. Haga un corte de prueba para comprobar el ajuste y realice reajustes según sea necesario.

#### Utilización de la guía de rodillo/casquillo

1. Con la guía instalada y ajustada, se debe hacer avanzar la fresadora normalmente, manteniendo la guía en contacto con el borde de la pieza de trabajo en todo momento.
2. Para mantener una anchura de corte constante, se debe mantener un ángulo constante entre la fresadora y la pieza de trabajo.

## SUBBASES REDONDAS PR009 Y PR010 Y USO DE LOS CASQUILLOS DE GUÍA DE PLANTILLA

(Disponibles como accesorios opcionales)

Hay subbases redondas grandes opcionales disponibles por separado que permiten utilizar diversos casquillos de guía de plantilla con las fresadoras de palma.

Los casquillos de guía de plantilla se utilizan para guiar la fresadora con el fin de realizar repetidamente aberturas e incrustaciones uniformes utilizando diversas plantillas (conocidas también como patrones y posicionadores). Hay plantillas para aplicaciones de fresado estándar disponibles comercialmente, tales como el juego de plantillas de bisagra Bosch, y las plantillas para aplicaciones especiales son hechas generalmente por los usuarios para sus necesidades específicas.

La subbase redonda PR009 acepta los adaptadores de guía de plantilla Bosch serie RA.\*

La subbase redonda PR010 acepta los adaptadores de guía de plantilla roscada.

\*Nota: El adaptador RA1100 para plantillas roscadas permite usar guías de plantilla roscada convencionales con la subbase redonda PR009.

### Instalación de la guía de plantilla y subbase redonda PR009 (Fig. 17)

1. Quite la subbase normal.
2. Introduzca la guía de plantilla en la parte superior de la subbase redonda.
3. Instale flojamente la subbase redonda utilizando los tornillos de cabeza troncocónica que vienen con ese accesorio.
4. Centre la guía de plantilla alrededor de la broca. (Se puede usar el cono de centrado Bosch RA1150 opcional para asegurarse de que la guía de plantilla esté centrada adecuadamente.)
5. Apriete los tornillos de cabeza troncocónica para sujetar la guía de plantilla y la subbase en la posición adecuada.

### Instalación de la subbase redonda de la guía de plantilla roscada PR010 (Fig. 18)

1. Quite la subbase normal.
2. Instale flojamente la subbase redonda utilizando los tornillos de cabeza troncocónica que vienen con ese accesorio.
3. Instale la guía de plantilla roscada poniendo la guía de plantilla a través de la parte inferior e instalando el anillo desde la parte de arriba.
4. Centre la guía de plantilla alrededor de la broca. (Se puede usar el cono de centrado Bosch RA1150 opcional para asegurarse de que la guía de plantilla esté centrada adecuadamente.)

FIG. 17

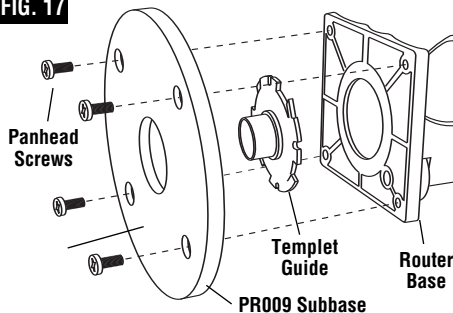


FIG. 18

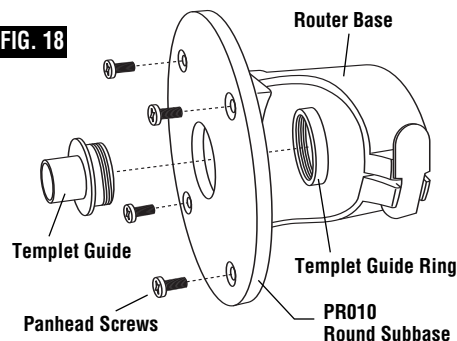
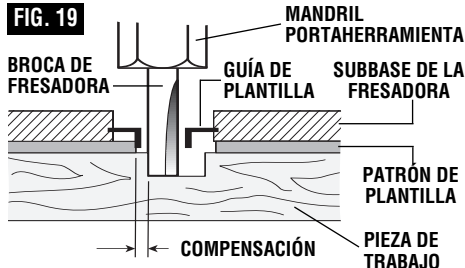


FIG. 19



5. Apriete los tornillos de cabeza troncocónica para sujetar la guía de plantilla y la subbase en la posición adecuada.

### Creación de plantillas

Se pueden hacer patrones de plantilla utilizando madera contrachapada, tablero de madera prensada, metal e incluso plástico. El diseño se puede cortar con una fresadora, una sierra caladora u otra herramienta de corte adecuada. Recuerde que el patrón se tendrá que hacer de modo que se compense la distancia entre la broca de fresadora y la guía de plantilla (la "excentricidad"), ya que la pieza de trabajo final diferirá en tamaño del patrón de plantilla en esa cantidad, debido a la posición de la broca (Fig. 19).

### BASE EXCÉNTRICA PR004

(Incluida con el PR20EVSNK. Disponible también como accesorio opcional)

La base excéntrica PR004 está diseñada para fresar en áreas confinadas, especialmente para recortar materiales laminares en áreas que son inaccesibles con la base fija estándar, especialmente en ubicaciones que estén cerca de superficies verticales adyacentes, tales como partes superiores de protectores contra salpicaduras de mostradores instalados (Fig. 20).

La PR004 permite fresar sumamente cerca de la superficie vertical que esté delante de la herramienta, a una distancia de tan sólo 1/2" cuando se usa una broca de 3/4" (la remoción de la cubierta del husillo excéntrico de color negro reduce adicionalmente la distancia desde la broca de 3/4" hasta la superficie vertical a 3/8"). La abertura de la base de 1-1/16" hace posible usar brocas que tengan cortadores de hasta 13/16" de ancho.

La PR004 también se puede utilizar para marcar la parte trasera de un protector contra salpicaduras de mostrador nuevo, para que coincida de modo preciso con la pared contra la que descansará (Fig. 21).

#### Acumulación de calor

**⚠ ADVERTENCIA** Para reducir el riesgo de lesiones, no use la base excéntrica durante más de 10 minutos continuamente. El uso continuo y prolongado hará que la herramienta se ponga caliente al tacto.

La naturaleza de un mecanismo de accionamiento por correa como el de la base excéntrica PR004 genera más calor cuando el motor se usa en sus otras bases. Para ayudar a minimizar la acumulación de calor, la PR004 ha sido diseñada con cojinetes grandes, una velocidad de 25,000 RPM\*, disipadores térmicos diseñados especialmente, flujo de aire dirigido cuidadosamente y protectores térmicos de plástico. Dependiendo de la aplicación, la base excéntrica PR004 se puede usar durante hasta aproximadamente 10 minutos continuamente antes de que sea necesario dejarla en reposo para que se pueda enfriar.

\*13,000-25,000 RPM cuando se usa con el motor PR20EVE.

#### Instalación del motor

1. Quite el portaherramienta del motor e instale la polea de accionamiento dentada utilizando la llave de tuerca para el portaherramienta. Asegúrese de que el engranaje de accionamiento esté completamente apretado sobre el husillo del motor. (Fig. 22)
2. Una vez hecho esto, instale el motor en la base de acuerdo con las instrucciones de la página 49.
3. Introduzca un destornillador (no incluido) a través

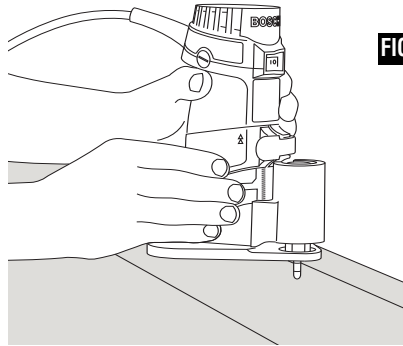


FIG. 20

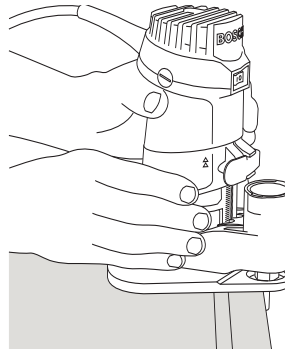


FIG. 21

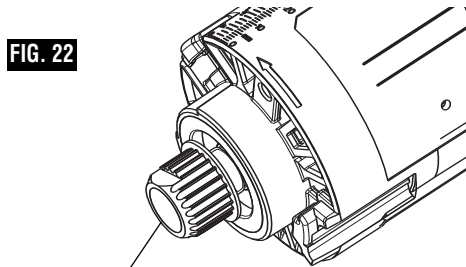


FIG. 22

polea de accionamiento dentada

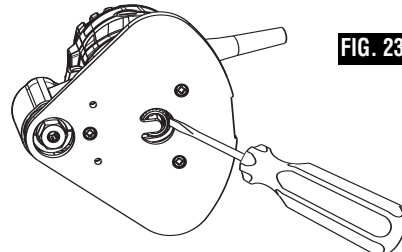


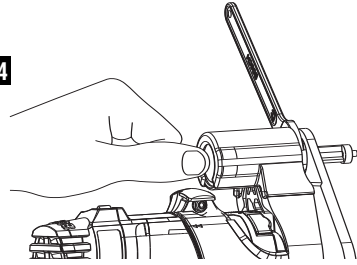
FIG. 23

de la abertura con forma de U de la subbase para ajustar la correa sobre la pulea de accionamiento. (Fig. 23)

### Instalación de la broca

1. Introduzca la broca hasta la profundidad deseada de acuerdo con las instrucciones de la página 47.
2. Oprima el botón rojo grande del cierre del husillo ubicado en la parte de arriba del husillo excéntrico (Fig 24).
3. Apriete la tuerca del portaherramienta utilizando la misma llave de tuerca para el portaherramienta que se usa en la propia tuerca del portaherramienta del motor. (El portaherramienta utilizado en la PR004 es del mismo tipo que el portaherramienta de liberación automática utilizado en el propio motor cuando se utiliza con las otras bases.)
4. Haga un corte de prueba para comprobar la profundidad y realice reajustes según sea necesario.

FIG. 24

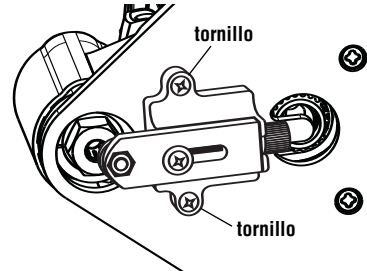


### Utilización de la fresadora excéntrica

Los principios de utilización de la fresadora excéntrica son básicamente los mismos que para la disposición de la fresadora normal (el motor en el ensamblaje de la base fija), con las diferencias siguientes:

1. La fresadora excéntrica se debe agarrar con una mano en el área de agarre del motor y la otra descansando sobre la parte superior del husillo excéntrico, sujetando la parte delantera del motor (Fig. 20).
2. Para fresar protectores contra salpicaduras y otras piezas de trabajo elevadas, algunos instaladores montan la base excéntrica en un bloque de madera que coincide con la altura del protector contra salpicaduras laminado. Esto ayuda a mantener un ángulo constante entre el cortador de la broca y la pieza de trabajo, así como a proporcionar estabilidad adicional.

FIG. 25



### Guía de rodillo/casquillo de la base excéntrica

La guía de rodillo/casquillo de la PR004 se requiere cuando se conforman bordes o se recorta con brocas no pilotadas o brocas sin cojinete.

#### Instalación de la guía de rodillo/casquillo

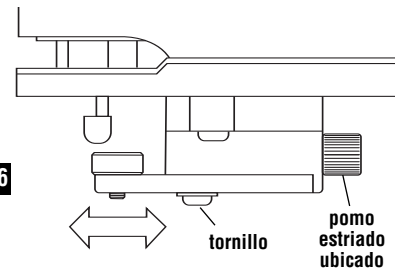
La guía de rodillo/casquillo de la PR004 se instala utilizando dos tornillos con un destornillador Philips (no incluido). (Fig. 25)

#### Ajuste de la guía de rodillo/casquillo

Tanto si se están haciendo cortes rectos como cortes en bisel, la anchura del material quitado es determinada por la distancia entre la parte delantera del cortador de la broca de la fresadora y la parte delantera del rodillo/casquillo. Ajuste la parte delantera del rodillo/casquillo de la manera siguiente (Fig. 26):

1. Utilizando el destornillador Philips, para realizar ajustes, afloje el tornillo.

FIG. 26



2. Gire el pomo estriado ubicado en la parte trasera de la guía para mover el rodillo/casquillo hacia dentro o hacia fuera, con el fin de crear la cantidad de exposición del cortador necesaria para recortar el material laminar al ras con la superficie de guiado o crear el bisel deseado.
3. Asegúrese de que la broca quede al menos a 1/8" (3 mm) de la parte superior de la guía de rodillo/casquillo para evitar daños.
4. Apriete el tornillo utilizando el destornillador Philips.
5. Haga un corte de prueba para comprobar el ajuste y realice reajustes según sea necesario.

### Utilización de la PR004 con la guía de rodillo/casquillo

1. Con la guía instalada y ajustada, se debe hacer avanzar la fresadora normalmente, manteniendo la guía en contacto con el borde de la pieza de trabajo en todo momento.
2. Para mantener una anchura de corte constante, se debe mantener un ángulo constante entre la fresadora y la pieza de trabajo.



### BASE INCLINABLE PR005

(Incluida con el PR20EVSNK. Disponible también como accesorio opcional)

La base inclinable PR005 (Fig. 27) se utiliza para los propósitos siguientes:

- Recortar bordes laminados en el punto en que llegan a una superficie vertical adyacente, tal como un protector contra salpicaduras de un mostrador de cocina.
- Recortar ángulos especiales (Fig. 28)
- Hacer cortes en bisel

La PR005 se debe usar siempre con una broca autopilotada o con cojinete para proporcionar el guiado necesario.

#### Instalación del motor

El motor se instala de acuerdo con las instrucciones de la página 49.

#### Ajuste del ángulo

El intervalo de inclinación total es de 75°, desde 45° hacia delante hasta 30° hacia atrás.

#### Para ajustar el ángulo (Fig. 29)

1. Afloje los dos tornillos de mariposa.
2. Ajuste el ángulo según se desee, utilizando la escala ubicada en el lado izquierdo de la base. Tenga presente que hay retenes cada 7.5°. Siempre que sea posible, la base se debe posicionar con el motor inclinado hacia el extremo cerrado de la base.
3. Apriete los tornillos de mariposa. Tenga cuidado de no apretarlos demasiado o la base podría dañarse.

#### Ajuste de profundidad

La profundidad se ajusta de acuerdo con las instrucciones de la página 50.

#### Utilización de la fresadora inclinable

Los principios de utilización de la fresadora inclinable son básicamente los mismos que para la disposición de la fresadora normal (el motor en el ensamblaje de la base fija), con la diferencia siguiente:

1. La posición de agarre adecuada depende del ángulo del corte y de la herramienta. La fresadora se debe agarrar con una mano en el motor y la otra mano en cualquier otro lugar de la parte trasera de la herramienta.

**⚠ ADVERTENCIA** No agarre nunca la base directamente por encima de la broca que está al descubierto ni cerca de ella.

2. Cuando recorte bordes mientras la broca está inclinada hacia el sentido de avance, es sumamente importante mantener la base

FIG. 27

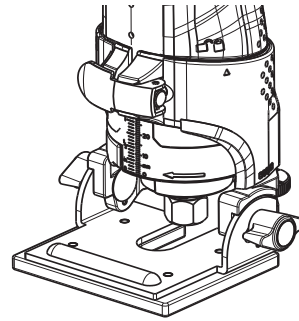


FIG. 28

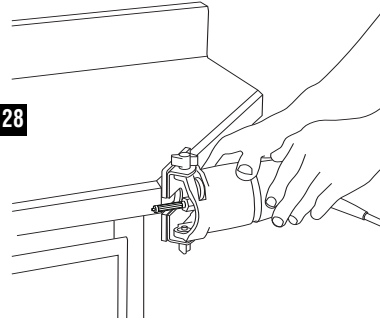
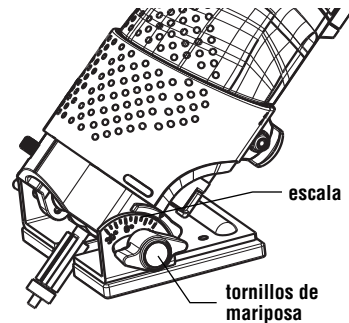


FIG. 29



escuadrada con la superficie que se vaya a fresar. Si la fresadora se cambia de posición en el sentido de la superficie sobre la que se está desplazando, la parte superior del cortador puede penetrar considerablemente en la pieza de trabajo.

### ADITAMENTO PARA MARCAR POR DEBAJO PR006

(Incluido con el PR20EVSNK. Disponible también como accesorio opcional)

El aditamento para marcar PR006 se utiliza para crear uniones de ajuste con precisión entre dos hojas de laminado (Fig. 30), tal como construcciones de montante y riel y superficies muy grandes. El aditamento se instala en la parte inferior de la base fija PR001.

#### Instalación (Fig. 31)

1. Quite los tornillos traseros utilizados para sujetar la subbase en la base fija PR001.
2. Instale el lado de avance de entrada de la PR006 en la base fija utilizando un tornillo hexagonal.\*
3. Introduzca la rueda de leva en el bolsillo ubicado en el lado de avance de entrada de la PR006.
4. Instale el lado de avance de salida de la PR006 en la base fija utilizando un tornillo hexagonal.\*

\*Cuando se utiliza con la base de con mango lateral PR007, se debe usar el grupo de tornillos de sujeción más largos.

#### Instalación de la broca

- La broca recomendada para utilizarse con el aditamento para marcar por debajo es la Bosch 85213M con un diámetro de corte de 1/8".
- Se debe instalar de acuerdo con las instrucciones de la página 47.

#### Ajuste de la altura de la broca

Después de instalar la broca, se debe ajustar la altura de la manera siguiente:

1. Baje la broca hasta que justo entre en el entrante que está maquinado en la placa de aluminio para marcar por debajo.
2. Una vez hecho esto, la herramienta estará lista para hacer un corte de prueba.

#### Ajuste de delante hacia atrás

Si es necesario, la punta de corte se puede ajustar de delante hacia atrás de la manera siguiente (Fig. 32):

1. Afloje los dos tornillos que sujetan la placa de aluminio.
2. Use la llave de espiga; ajuste el ajustador excéntrico del modo siguiente:
  - Para realizar una unión más apretada, gire la leva excéntrica en el sentido de las agujas del reloj (según se ve desde debajo de la base)
  - Para realizar una unión más floja, gire la leva excéntrica en sentido contrario al de las agujas del reloj (según se ve desde debajo de la base)

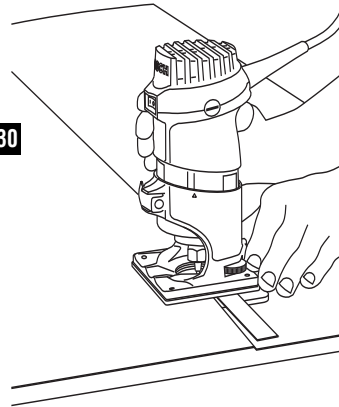


FIG. 30

FIG. 31

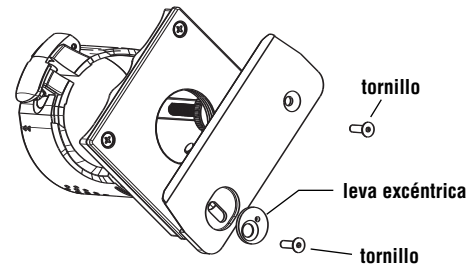
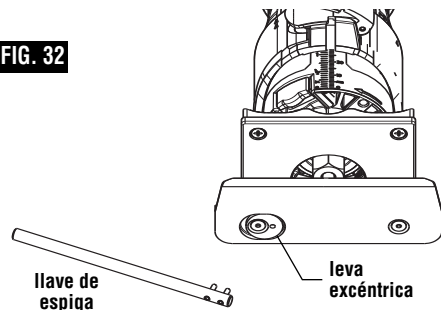


FIG. 32



3. Reapriete los tornillos.
4. Haga un corte de prueba.
5. Repita los pasos 1-4 según sea necesario.

### Creación de una unión

1. Para crear una unión de precisión, asegúrese de que la pieza de guiado del material laminar tenga un borde limpio y recto, porque servirá como guía para el aditamento para marcar por debajo.
2. Se debe aplicar pegamento al contacto al material del núcleo del sustrato y a la pieza de guiado del material laminar hasta 1" de su borde de guiado.
3. La pieza superpuesta de material laminar debe superponerse a la pieza de guiado aproximadamente 1/2". (La hoja superpuesta del material laminar pasará entonces sobre la placa de aluminio y será cortada en el punto apropiado por la broca de fresadora.)
4. Mantenga una presión firme sobre la herramienta para que el borde de guiado de la base permanezca en contacto con la pieza fija del material laminar durante toda la operación. Esto es especialmente importante al comienzo y al final de un corte.
5. También es necesario mantener el material laminar presionado hacia abajo de modo apretado cerca de la unión, para evitar que estas virutas caigan debajo del material laminar. Esto es especialmente importante en piezas de material más grandes. La subbase con mango lateral PR007 opcional incluye un orificio para cubierta de extracción de polvo que se conecta a una manguera de aspiración y ayuda a evitar que las virutas caigan debajo del material laminar.

### SUBBASE CON MANGO LATERAL PR007 (Disponible como accesorio opcional)

Consulte la hoja de instrucciones PR007 para obtener información completa sobre este accesorio.

El juego de subbase con mango lateral y extracción de polvo PR007 (Fig. 33) es un accesorio versátil que proporciona varias funciones útiles:

- Un medio adicional para soportar la fresadora
- Capacidad para usar varios casquillos de guía de plantilla y
- Capacidad de extracción y recolección de polvo.

#### Instalación de la PR007 en la fresadora de palma

1. Quite la subbase normal.
2. Instale la subbase con mango lateral con los tornillos de cabeza troncocónica que se incluyen con ella.

#### Medio adicional para soportar la fresadora

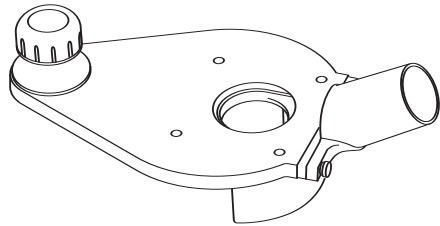
El mango en forma de pomo de la subbase PR007 proporciona un punto de agarre adicional para el ensamblaje de lijadora de palma y subbase con mango lateral. Está diseñado para utilizarse cuando las fresadoras de palma se están empleando en aplicaciones que son lo bastante anchas como para que el pomo se asiente sobre la pieza de trabajo. Sujetar el pomo y mantenerlo presionado hacia abajo sobre la pieza de trabajo ayuda a mantener invariable el ángulo de la fresadora respecto a la pieza de trabajo y es especialmente útil cuando se fresan bordes.

#### Utilización de la guía de plantilla

La subbase con mango lateral PR007 acepta los adaptadores de guía de plantilla Bosch serie RA.

Instalación de la guía de plantilla en la subbase con mango lateral

**FIG. 33**



1. Quite la subbase normal.
2. Introduzca la guía de plantilla en la parte superior de la subbase redonda.
3. Instale flojamente la subbase redonda utilizando los tornillos de cabeza troncocónica que vienen con ese accesorio.
4. Centre la guía de plantilla alrededor de la broca. (Se puede usar el cono de centrado Bosch RA1150 opcional para asegurarse de que la guía de plantilla esté centrada adecuadamente.)
5. Apriete los tornillos de cabeza troncocónica para sujetar la guía de plantilla y la subbase en la posición adecuada.

**Nota:** Las guías de plantilla roscada convencionales se pueden usar con la PR007 si también se usa el adaptador RA1100 opcional para plantillas roscadas.

#### Instalación del aditamento para marcar por debajo PR006

El aditamento para marcar por debajo PR006 también se puede usar con la fresadora de palma y la subbase con mango lateral.

**Nota:** Cuando el aditamento para marcar por debajo se utiliza con la base de soporte lateral, se debe usar el grupo de tornillos de sujeción más largos.

Por favor, consulte la sección Aditamento para marcar por debajo PR006 para obtener instrucciones adicionales.

**Capacidad de extracción y recolección de polvo**

Si usted tiene un sistema de aspiradora de taller, puede conectarlo al aditamento de extracción de polvo de la PR007 para quitar el polvo y los residuos generados por el fresado, con el fin de aumentar la utilidad, visibilidad y precisión, especialmente cuando frese a pulso.

La capacidad de recolección de polvo de la PR007 se puede usar en ambos tipos comunes de aplicaciones de fresadora:

1. Fresado en superficies planas
2. Conformado de bordes

**⚠ ADVERTENCIA** No ponga las manos en el área de la broca mientras la fresadora esté ENCENDIDA o enchufada. Para evitar que las mangueras se enganchen, no use esta cubierta de extracción de polvo al mismo tiempo que cualquier otra cubierta de extracción de polvo.

**Extracción de polvo al fresar en superficies planas**

Instale el orificio para polvo en el extremo trasero de la subbase.

1. Posicione el orificio para polvo en el lado trasero de la subbase.
2. Sujételo utilizando dos tornillos de apriete manual incluidos.

**Extracción de polvo al conformar bordes**

Instale la cubierta para polvo y el orificio para polvo en el extremo trasero de la subbase.

1. Posicione la cubierta en el lado trasero de la subbase.
2. Posicione el orificio para manguera en el lado trasero de la cubierta para polvo.
3. Realice la sujeción utilizando dos tornillos de apriete manual incluidos.

**Compatibilidad con mangueras de aspiración**

El orificio para polvo tiene las dimensiones adecuadas para aceptar mangueras de aspiración de 35 mm. La PR007 incluye el adaptador VAC002, que permitirá que el orificio para polvo se conecte a mangueras de aspiración de 1-1/4" y 1-1/2". También hay disponible por separado un adaptador para conectar la cubierta a mangueras de 2-1/2".

**CUBIERTA DE LA BASE PR008**

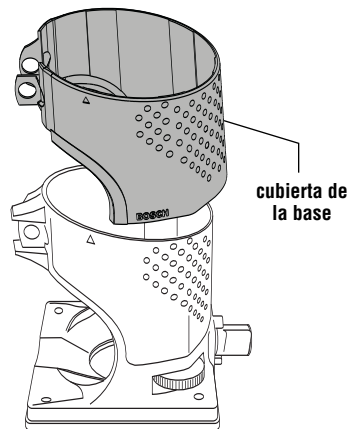
(Incluida con la base excéntrica PR004. Disponible también como accesorio opcional)

La cubierta de la base PR008 (Fig. 34) opcional está disponible para proporcionar aislamiento contra el calor generado por la herramienta en aplicaciones continuas y/o de gran uso. Se puede usar en la base fija PR001 y la base inclinable PR005 y en la base excéntrica PR004 (con la cual es equipo estándar).

**Instalación de la cubierta de la base**

1. Quite la abrazadera.
2. Deslice la cubierta sobre la parte superior de la base y hasta la posición adecuada.
3. Reinstale la abrazadera. Asegúrese de que las arandelas queden asentadas sobre el exterior de la cubierta.

**FIG. 34**



## Mantenimiento

### Servicio

**⚠ ADVERTENCIA** El mantenimiento preventivo realizado por personal no autorizado puede dar lugar a la colocación incorrecta de cables y componentes internos que podría constituir un peligro serio. Recomendamos que todo el servicio de las herramientas sea realizado por un Centro de servicio de fábrica Bosch o por una Estación de servicio Bosch autorizada.

### LUBRICACIÓN DE LAS HERRAMIENTAS

Su herramienta Bosch ha sido lubricada adecuadamente y está lista para la utilización. Se recomienda que las herramientas con engranajes se vuelvan a engrasar con un lubricante especial para engranajes en cada cambio de escobillas.

### ESCOBILLAS DE CARBÓN

Las escobillas y el conmutador de la herramienta han sido diseñados para muchas horas de servicio fiable. Para mantener un rendimiento óptimo del motor, recomendamos que cada dos a seis meses se examinen las escobillas. Sólo se deben usar escobillas de repuesto Bosch genuinas diseñadas específicamente para su herramienta.

### RODAMIENTOS

Después de 300-400 horas de funcionamiento, o después de cada segundo cambio de escobillas, los

rodamientos deben cambiarse en un Centro de servicio de fábrica Bosch o en una Estación de servicio Bosch autorizada. Los rodamientos que se vuelven ruidosos (debido a la pesada carga o al corte de materiales muy abrasivos) deben ser sustituidos inmediatamente para evitar el sobrecalentamiento o el fallo del motor.

### Limpieza

**⚠ ADVERTENCIA** Para evitar accidentes desconecte siempre la herramienta de la fuente de energía antes de la limpieza o de la realización de cualquier mantenimiento. La herramienta se puede limpiar más eficazmente con aire comprimido seco. Use gafas de seguridad siempre que limpie herramientas con aire comprimido.

Las aberturas de ventilación y las palancas de interruptor deben mantenerse limpias y libres de materias extrañas. No intente limpiar introduciendo objetos puntiagudos a través de las aberturas.

**⚠ PRECAUCIÓN** Ciertos agentes de limpieza y disolventes dañan las piezas de plástico. Algunos de estos son: gasolina, tetracloruro de carbono, disolventes de limpieza clorados, amoníaco y detergentes domésticos que contienen amoníaco.

## Accesorios

**⚠ ADVERTENCIA** Si es necesario un cordón de extensión, se debe usar un cordón con conductores de tamaño adecuado que sea capaz de transportar la corriente necesaria para la herramienta. Esto evitará caídas de tensión excesivas, pérdida de potencia o recalentamiento. Las herramientas conectadas a tierra deben usar cordones de extensión de 3 hilos que tengan enchufes de 3 terminales y receptáculos para 3 terminales.

**NOTA:** Cuanto más pequeño es el número de calibre, más grueso es el cordón.

### TAMAÑOS RECOMENDADOS DE CORDONES DE EXTENSION HERRAMIENTAS DE 120 V CORRIENTE ALTERNA

Capacidad nominal en amperes de la herramienta	Tamaño del cordón en A.W.G.				Tamaños del cable en mm <sup>2</sup>			
	Longitud del cordón en pies				Longitud del cordón en metros			
	25	50	100	150	15	30	60	120
3-6	18	16	16	14	0,75	0,75	1,5	2,5
6-8	18	16	14	12	0,75	1,0	2,5	4,0
8-10	18	16	14	12	0,75	1,0	2,5	4,0
10-12	16	16	14	12	1,0	2,5	4,0	—
12-16	14	12	—	—	—	—	—	—

Guía de fresadora recta PR002\*†  
 Guía de rodillo PR003†  
 Base excéntrica con guía de recortar PR004†  
 Base inclinable PR005†  
 Aditamento para marcar por debajo PR006†  
 Base con mango lateral y cubierta de extracción de polvo PR007  
 Cubierta de la base PR008  
 Subbase redonda para guía de plantilla serie RA PR009

Subbase redonda para guía de plantilla roscada PR010  
 Juego de plantillas de bisagra 83038  
 Brocas de fresadora  
 Estuche\*†  
 Adaptador para diversas mangueras de aspiración  
 Mangueras de aspiración

\* Con el modelo PR20EVSK

† Con el modelo PR20EVSNK

**Notes:**  
**Remarques :**  
**Notas:**

**Notes:**  
**Remarques :**  
**Notas:**

### LIMITED WARRANTY OF BOSCH PORTABLE AND BENCHTOP POWER TOOLS

Robert Bosch Tool Corporation ("Seller") warrants to the original purchaser only, that all BOSCH portable and benchtop power tools will be free from defects in material or workmanship for a period of one year from date of purchase. SELLER'S SOLE OBLIGATION AND YOUR EXCLUSIVE REMEDY under this Limited Warranty and, to the extent permitted by law, any warranty or condition implied by law, shall be the repair or replacement of parts, without charge, which are defective in material or workmanship and which have not been misused, carelessly handled, or misrepaired by persons other than Seller or Authorized Service Station. To make a claim under this Limited Warranty, you must return the complete portable or benchtop power tool product, transportation prepaid, to any BOSCH Factory Service Center or Authorized Service Station. For Authorized BOSCH Power Tool Service Stations, please refer to your phone directory.

THIS LIMITED WARRANTY DOES NOT APPLY TO ACCESSORY ITEMS SUCH AS CIRCULAR SAW BLADES, DRILL BITS, ROUTER BITS, JIGSAW BLADES, SANDING BELTS, GRINDING WHEELS AND OTHER RELATED ITEMS.

ANY IMPLIED WARRANTIES SHALL BE LIMITED IN DURATION TO ONE YEAR FROM DATE OF PURCHASE. SOME STATES IN THE U.S., SOME CANADIAN PROVINCES DO NOT ALLOW LIMITATIONS ON HOW LONG AN IMPLIED WARRANTY LASTS, SO THE ABOVE LIMITATION MAY NOT APPLY TO YOU.

IN NO EVENT SHALL SELLER BE LIABLE FOR ANY INCIDENTAL OR CONSEQUENTIAL DAMAGES (INCLUDING BUT NOT LIMITED TO LIABILITY FOR LOSS OF PROFITS) ARISING FROM THE SALE OR USE OF THIS PRODUCT. SOME STATES IN THE U.S. AND SOME CANADIAN PROVINCES DO NOT ALLOW THE EXCLUSION OR LIMITATION OF INCIDENTAL OR CONSEQUENTIAL DAMAGES, SO THE ABOVE LIMITATION OR EXCLUSION MAY NOT APPLY TO YOU.

THIS LIMITED WARRANTY GIVES YOU SPECIFIC LEGAL RIGHTS, AND YOU MAY ALSO HAVE OTHER RIGHTS WHICH VARY FROM STATE TO STATE IN THE U.S., PROVINCE TO PROVINCE IN CANADA AND FROM COUNTRY TO COUNTRY.

THIS LIMITED WARRANTY APPLIES ONLY TO PORTABLE AND BENCHTOP ELECTRIC TOOLS SOLD WITHIN THE UNITED STATES OF AMERICA, CANADA AND THE COMMONWEALTH OF PUERTO RICO. FOR WARRANTY COVERAGE WITHIN OTHER COUNTRIES, CONTACT YOUR LOCAL BOSCH DEALER OR IMPORTER.

### GARANTIE LIMITÉE DES OUTILS ÉLECTRIQUES PORTATIFS ET D'ÉTABLI BOSCH

Robert Bosch Tool Corporation (le « vendeur ») garantit à l'acheteur initial seulement que tous les outils électriques portatifs et d'établi BOSCH seront exempts de vices de matériaux ou d'exécution pendant une période d'un an depuis la date d'achat. LA SEULE OBLIGATION DU VENDEUR ET LE SEUL RECOURS DE L'ACHETEUR sous la présente garantie limitée, et en autant que la loi le permette sous toute garantie ou condition implicite qui en découlerait, sera l'obligation de remplacer ou réparer gratuitement les pièces défectueuses matériellement ou comme fabrication, pourvu que lesdites défectosités ne soient pas attribuables à un usage abusif ou à quelque réparation bricolée par quelqu'un d'autre que le vendeur ou le personnel d'une station-service agréée. Pour présenter une réclamation en vertu de cette garantie limitée, vous devez renvoyer l'outil électrique portatif ou d'établi complet, port payé, à tout centre de service agréé ou centre de service usine. Veuillez consulter votre annuaire téléphonique pour les adresses.

LA PRÉSENTE GARANTIE NE S'APPLIQUE PAS AUX ACCESSOIRES TELS QUE LAMES DE SCIES CIRCULAIRES, MÊCHES DE PERCEUSES, FERS DE TROUPES, LAMES DE SCIES SAUTEUSES, COURROIES DE PONÇAGE, MEULES ET AUTRES ARTICLES DU GENRE.

TOUTE GARANTIE IMPLICITE SERA LIMITÉE COMME DURÉE À UN AN À COMPTER DE LA DATE D'ACHAT. CERTAINS ÉTATS AMÉRICAINS, CERTAINES PROVINCES CANADIENNES N'ADMETTANT PAS LE PRINCIPE DE LA LIMITATION DE LA DURÉE DES GARANTIES IMPLICITES, IL EST POSSIBLE QUE LES LIMITATIONS CI-DESSUS NE S'APPLIQUENT PAS À VOTRE CAS.

EN AUCUN CAS LE VENDEUR NE SAURAIT ÊTRE TENU POUR RESPONSABLE DES INCIDENTS OU DOMMAGES INDIRECTS (INCLUANT, MAIS NE SE LIMITANT PAS AUX PERTES DE PROFITS) CONSÉCUTIFS À LA VENTE OU L'USAGE DE CE PRODUIT. CERTAINS ÉTATS AMÉRICAINS ET CERTAINES PROVINCES CANADIENNES N'ADMETTANT PAS LE PRINCIPE DE LA LIMITATION NI L'EXCLUSION DES DOMMAGES INDIRECTS ET CONSÉQUENTIELS, IL EST POSSIBLE QUE LES LIMITATIONS OU EXCLUSIONS CI-DESSUS NE S'APPLIQUENT PAS À VOTRE CAS.

LA PRÉSENTE GARANTIE VOUS ACCORDE DES DROITS BIEN DÉTERMINÉS, Y COMPRIS POSSIBLEMENT CERTAINS DROITS VARIABLES DANS LES DIFFÉRENTS ÉTATS AMÉRICAINS, PROVINCES CANADIENNE ET DE PAYS À PAYS.

CETTE GARANTIE LIMITÉE NE S'APPLIQUE QU'ÀUX OUTILS ÉLECTRIQUES PORTATIFS ET D'ÉTABLI VENDUS AUX ÉTATS-UNIS D'AMÉRIQUE, AU CANADA ET AU COMMONWEALTH DE PORTO RICO. POUR COUVERTURE DE GARANTIE DANS LES AUTRES PAYS, CONTACTEZ VOTRE IMPORTATEUR OU REVENDEUR BOSCH LOCAL.

### GARANTIA LIMITADA PARA HERRAMIENTAS MECANICAS PORTATILES Y PARA TABLERO DE BANCO BOSCH

Robert Bosch Tool Corporation ("el Vendedor") garantiza, únicamente al comprador original, que todas las herramientas mecánicas portátiles y para tablero de banco BOSCH estarán libres de defectos de material o de fabricación durante un periodo de un año a partir de la fecha de compra. LA ÚNICA OBLIGACION DEL VENDEDOR Y EL RECURSO EXCLUSIVO QUE USTED TIENE bajo esta Garantía Limitada y, hasta donde la ley lo permita, bajo cualquier garantía o condición implícita por ley, consistirá en la reparación o sustitución sin costo de las piezas que presenten defectos de material o de fabricación y que no hayan sido utilizadas incorrectamente, manejadas descuidadamente o reparadas incorrectamente por personas que no sean el Vendedor o una Estación de servicio autorizada. Para efectuar una reclamación bajo esta Garantía Limitada, usted debe devolver el producto, que consiste en la herramienta mecánica portátil o para tablero de banco completa, con el transporte pagado, a cualquier Centro de servicio de fábrica o Estación de servicio autorizada. Para Estaciones de servicio autorizadas de herramientas mecánicas BOSCH, por favor, consulte el directorio telefónico.

ESTA GARANTIA LIMITADA NO SE APLICA A ARTICULOS ACCESORIOS TALES COMO HOJAS PARA SIERRAS CIRCULARES, BROCAS PARA TALADROS, BROCAS PARA FRESADORAS, HOJAS PARA SIERRAS DE VAIVEN, CORREAS PARA LIJAR, RUEDAS DE AMOLAR Y OTROS ARTICULOS RELACIONADOS.

TODAS LAS GARANTIAS IMPLICITAS TENDRAN UNA DURACION LIMITADA A UN AÑO A PARTIR DE LA FECHA DE COMPRA. ALGUNOS ESTADOS DE LOS EE.UU. Y ALGUNAS PROVINCIAS CANADIENSES NO PERMITEN LIMITACIONES EN CUANTO A LA DURACION DE UNA GARANTIA IMPLICITA, POR LO QUE ES POSIBLE QUE LA LIMITACION ANTERIOR NO SEA APLICABLE EN EL CASO DE USTED.

EL VENDEDOR NO SERA RESPONSABLE EN NINGUN CASO DE NINGUN DAÑO INCIDENTAL O EMERGENTE (INCLUYENDO PERO NO LIMITADO A RESPONSABILIDAD POR PERDIDA DE BENEFICIOS) QUE SE PRODUZCA COMO CONSECUENCIA DE LA VENTA O UTILIZACION DE ESTE PRODUCTO. ALGUNOS ESTADOS DE LOS EE.UU. Y ALGUNAS PROVINCIAS CANADIENSES NO PERMITEN LA EXCLUSION O LIMITACION DE LOS DAÑOS INCIDENTALES O EMERGENTES, POR LO QUE ES POSIBLE QUE LA LIMITACION O EXCLUSION ANTERIOR NO SEA APLICABLE EN EL CASO DE USTED.

ESTA GARANTIA LIMITADA LE CONFIERE A USTED DERECHOS LEGALES ESPECIFICOS Y ES POSIBLE QUE USTED TAMBIEN TENGA OTROS DERECHOS QUE VARIAN DE ESTADO A ESTADO EN LOS EE.UU., DE PROVINCIA A PROVINCIA EN CANADA Y DE UN PAIS A OTRO.

ESTA GARANTIA LIMITADA SE APLICA SOLAMENTE A HERRAMIENTAS ELECTRICAS PORTATILES Y PARA TABLERO DE BANCO VENDIDAS EN LOS ESTADOS UNIDOS DE AMERICA, CANADA Y EL ESTADO LIBRE ASOCIADO DE PUERTO RICO. PARA COBERTURA DE GARANTIA EN OTROS PAISES, PONGASE EN CONTACTO CON SU DISTRIBUIDOR O IMPORTADOR LOCAL DE BOSCH.

© Robert Bosch Tool Corporation 1800 W. Central Road Mt. Prospect, IL 60056 -2230

Exportado por: Robert Bosch Tool Corporation Mt. Prospect, IL 60056 -2230, E.U.A.

Importado en México por: Robert Bosch, S.A. de C.V., Calle Robert Bosch No. 405, Zona Industrial, Toluca, Edo. de México, C.P. 50070, Tel. (722) 2792300