

**ATTENTION: PLEASE READ AND UNDERSTAND ALL INSTRUCTIONS AND WARNINGS BEFORE ASSEMBLING, INSTALLING OR USING THIS PRODUCT.**

**! DANGER**

- Do not put fuels, flammables, explosives or hazardous materials inside these products.
- Gasoline, solvents, gun powder or other munitions, dynamite, propane, acetylene or other such products can explode if stored inside these products.
- Use these products ONLY for storing and transporting electric or hand tools and equipment, and other similar materials.
- Failure to follow these warnings or modification or other uses of these products could result in death, serious injury or property damage.

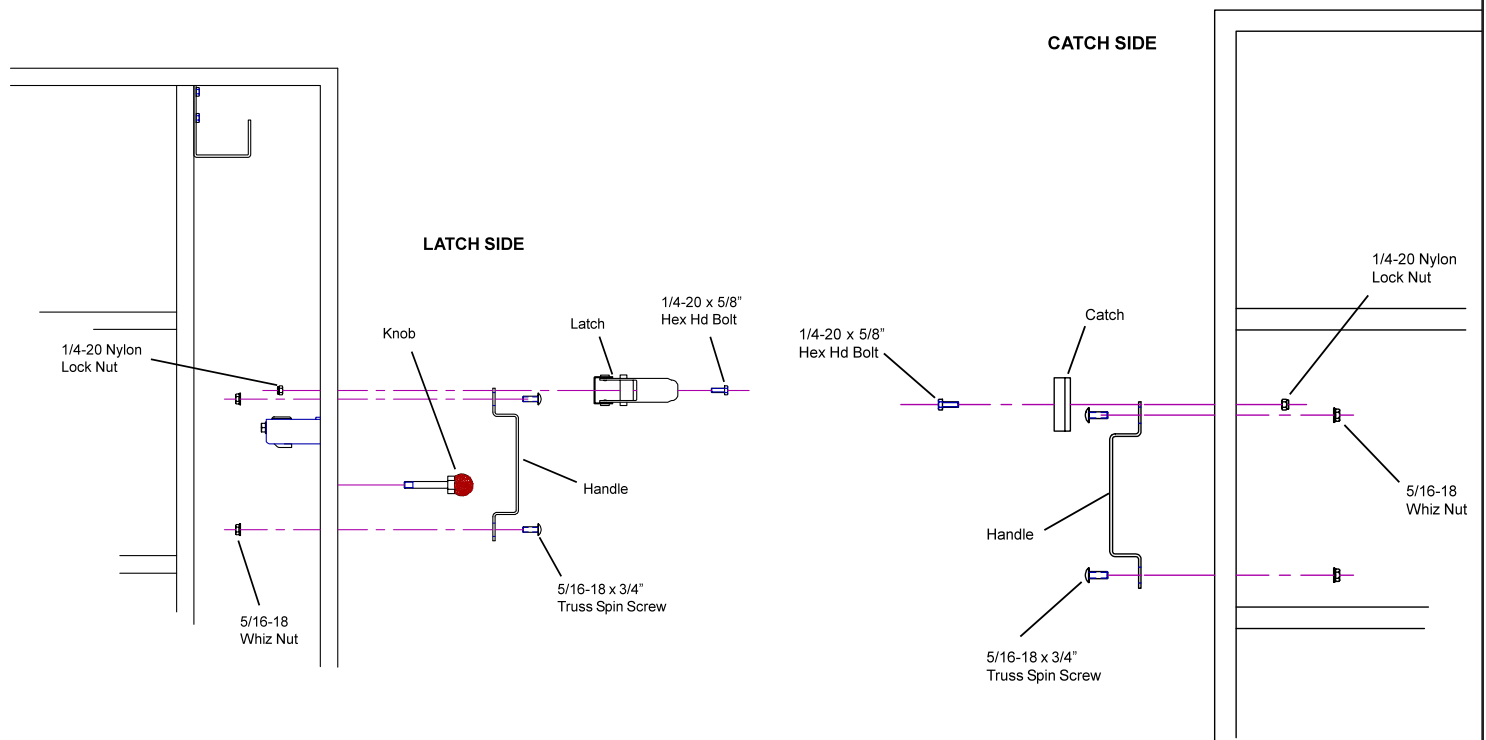
**! WARNING**

Black knob must be in the lower left position & securely latched when moving this cabinet, so unit will not open & tip over on inclines, which can cause serious personal injury or property damage.

**– NOTICE –**

Any modification or unintended use of this product shall immediately void all manufacturers warranties. Manufacturer disclaims all liability for injuries to persons or property resulting from any modification to, or unintended use of this product.

**INSTALLATION INSTRUCTIONS**



**NOTE:**  
For easier maneuverability, push or pull this storage unit from the handle end.



# KNAACK LLC LIMITED WARRANTY FOR KNAACK® PRODUCTS

The following limited warranty applies to all KNAACK® branded products for the warranty period set forth below. If you have any questions or need assistance regarding the warranty of your product, please call our customer service department: (800) 456-7865, 8:00 am - 4:30 pm CST.

## KNAACK® Products - Limited Warranty

Knaack LLC, located at 420 E. Terra Cotta Avenue, Crystal Lake, IL 60014 ("Manufacturer") warrants to the original purchaser only, subject to the exclusions described below, that its KNAACK® branded products (each a "KNAACK® Product") will be free from defects in material and workmanship for a period of three (3) years from the date of purchase. This limited warranty terminates if the original purchaser transfers the KNAACK® Product to any other person.

## What is Not Covered

This limited warranty does not extend to and expressly excludes:

- Losses or damages to the KNAACK® Product which are expected to occur during the normal course of its use, including without limitation, normal wear and tear, (as determined by the Manufacturer in its sole and absolute discretion), cosmetic rust, scratches, dents or comparable and reasonable expected losses or damages.
- Losses or damages to the KNAACK® Product resulting from conditions beyond the Manufacturer's control including without limitation, misuse, accident, abuse, neglect, negligence (other than Manufacturer's), overloading, unauthorized modification or alteration, use beyond rated capacity, or failure to install, maintain, assemble, mount or apply the KNAACK® Product in accordance with the Manufacturer's written instructions or guidelines as provided by Manufacturer to the original purchaser.
- Damage to the contents of the KNAACK® Product.

## What We Will Do to Correct Problems

If a claim made during the Warranty Period is covered under this limited warranty, the Manufacturer or its authorized representative or local authorized dealer will, at the Manufacturer's sole option, (a) repair the defective portion of the KNAACK® Product or (b) replace the entire KNAACK® Product, or (c) a refund equal to the purchase price paid for the KNAACK® Product or a credit to be used toward the purchase of new KNAACK® Product. THE SOLE AND EXCLUSIVE REMEDY FOR BREACH OF THIS LIMITED WARRANTY SHALL BE LIMITED TO REPAIR, CORRECTION OR REPLACEMENT OF THE KNAACK® PRODUCT, OR REFUND OR CREDIT OF THE PURCHASE PRICE.

## No Other Express Warranty Applies

This limited warranty is the sole and exclusive warranty provided to original purchasers of a KNAACK® Product identified above. No employee, agent, dealer, or other person is authorized to alter this limited warranty or make any other warranty on behalf of the Manufacturer. The terms of this limited warranty shall not be modified by the Manufacturer, the original owner, or their respective successors or assigns.

## How to Notify Us

The original purchaser must promptly notify the Manufacturer upon its discovery that the KNAACK® Product contains a defect in materials or workmanship by calling the following number: (800) 456-7865. Notification must be made during the warranty period. In order for a warranty claim to be processed, a copy of the original sales receipt must be provided to the Manufacturer or at Manufacturer's instruction, to its authorized representative or local authorized dealer. The Manufacturer will determine, in its sole and absolute discretion whether the claim is covered or subject to the limitations or exclusions described in this limited warranty. The original purchaser may be asked to contact Manufacturer's authorized representative or local authorized dealer for further instructions on how to obtain the remedies available to it under this limited warranty. Repairs or modifications made to the KNAACK® Product by other than the Manufacturer, its authorized representative or local authorized dealer will nullify this limited warranty. Coverage under this limited warranty is conditioned at all times upon the original purchaser's compliance with these required notification and repair procedures.

## Limitation of Liability

TO THE EXTENT PERMITTED BY LAW, IN NO EVENT SHALL THE MANUFACTURER BE LIABLE FOR ANY INCIDENTAL, SPECIAL, INDIRECT, OR CONSEQUENTIAL DAMAGES, INCLUDING ANY ECONOMIC LOSS, WHETHER RESULTING FROM NONPERFORMANCE, USE, MISUSE OR INABILITY TO USE THE KNAACK® PRODUCT OR THE MANUFACTURER'S NEGLIGENCE. SELLER SHALL NOT BE LIABLE FOR DAMAGES CAUSED BY DELAY IN PERFORMANCE AND IN NO EVENT, REGARDLESS OF THE FORM OF THE CLAIM OR CAUSE OF ACTION (WHETHER BASED IN CONTRACT, INFRINGEMENT, NEGLIGENCE, STRICT LIABILITY, OTHER TORT OR OTHERWISE), SHALL MANUFACTURER'S LIABILITY TO BUYER AND/OR ITS CUSTOMERS EXCEED THE PRICE PAID BY THE ORIGINAL OWNER FOR THE KNAACK® PRODUCT. The term "consequential damages" shall include, but not be limited to, loss of anticipated profits, business interruption, loss of use or revenue, cost of capital or loss or damage to property or equipment.

Some states do not allow the exclusion or limitation of incidental or consequential damages, so the above limitation may not apply to you.

This limited warranty gives you specific legal rights, and you may also have other rights which vary from State to State.

**Knaack LLC**

**ATTN: Warranty Claims**

**420 E. Terra Cotta Avenue Crystal Lake, IL 60014**

**www.knaack.com**

If you have any questions, please call toll free at 1-800-456-7865.

©2013 Knaack LLC

