

Pro Series



OWNERS MANUAL

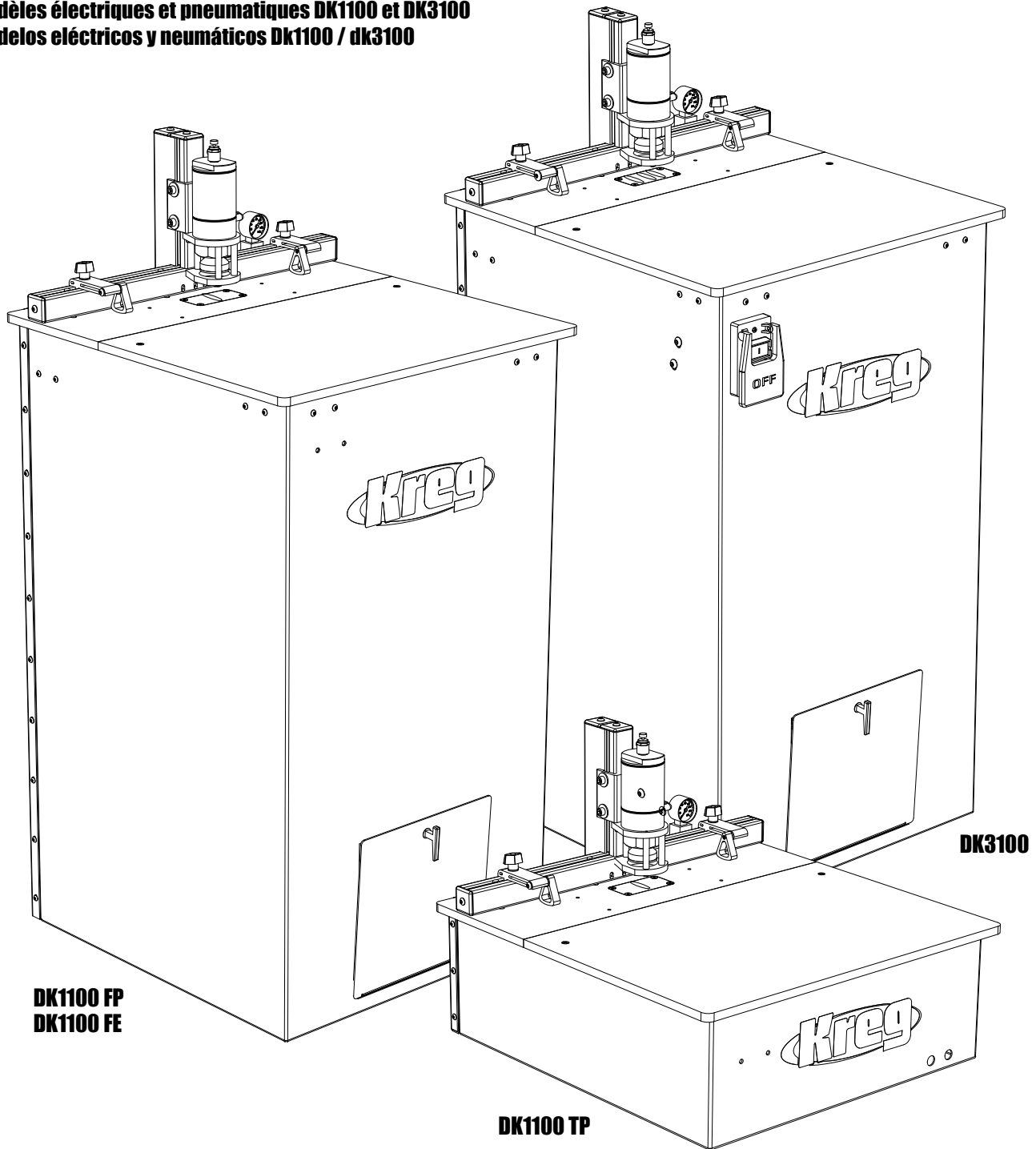
Guide d'utilisation

Manual Del Propietario

DK1100 Electric and Pneumatic Models / DK3100

Modèles électriques et pneumatiques DK1100 et DK3100

Modelos eléctricos y neumáticos Dk1100 / dk3100



GENERAL SAFETY INSTRUCTIONS

SAVE THESE INSTRUCTIONS

- 1) Work area safety
 - a) Keep work area clean and well lit. Cluttered or dark areas invite accidents.
 - b) Don't use power tools in a dangerous environment. Don't use power tools in damp or wet locations, or expose them to rain.
 - c) Do not operate power tools in explosive atmospheres, such as in the presence of flammable liquids, gases or dust. Power tools create sparks which may ignite the fumes or dust.
 - d) Keep children and bystanders away while operating a power tool. Distractions can cause you to lose control.
 - e) Make your workshop child proof with padlocks, master switches, or by removing starter keys.
 - 2) Electrical safety
 - a) Do not expose power tools to rain or wet conditions. Water entering a power tool will increase the risk of electric shock.
 - b) Do not abuse the cord. Never use the cord for carrying, pulling or unplugging the power tool. Keep cord away from heat, oil, sharp edges or moving parts. Damaged or entangled cords increase the risk of electric shock.
 - c) Use a proper extension cord and make sure it is in good condition. When using an extension cord, be sure to use one heavy enough to carry the current your machine draws. An undersized cord causes a drop in line voltage resulting in loss of power and overheating. Table 1 shows the correct cord gauge to use depending on cord length and nameplate ampere rating. If in doubt, use the next heavier gage. The smaller the gage number, the heavier the cord.
 - 3) Personal safety
 - a) Stay alert, watch what you are doing and use common sense when operating a power tool. Do not use a power tool while you are tired or under the influence of drugs, alcohol or medication. A moment of inattention while operating power tools may result in serious personal injury.
 - b) Always wear safety glasses. Everyday eyeglasses only have impact resistant lenses, they are NOT safety glasses.
 - c) Use safety equipment. Use a face or dust mask when the cutting operation is dusty. Safety equipment such as a dust mask, nonskid safety shoes, hard hat, or hearing protection used for appropriate conditions reduces personal injuries.
 - d) Avoid accidental starting. Make sure the switch is in the off position before plugging in. Carrying power tools with your finger on the switch or plugging in power tools with the switch on invites accidents.
 - e) Remove any adjusting key or wrench before turning the power tool on. A wrench or a key left attached to a rotating part of the power tool may result in personal injury.
 - f) Do not overreach. Keep proper footing and balance at all times. This enables better control of the power tool in unexpected situations.
 - g) Secure workpieces. Use clamps or a vise to hold work when practical. This is safer than using your hand and it frees both hands to operate the tool.
 - h) Never stand on the machine. Serious injury could occur if the tool tips or if the cutting tool is unintentionally contacted.
 - i) Dress properly. Do not wear loose clothing or jewelry. Keep your hair, clothing and gloves away from moving parts. Loose clothes, jewelry or long hair can be caught in moving parts.
 - j) If devices are provided for the connection of dust extraction and collection facilities, ensure these are connected and properly used. Use of these devices can reduce dust-related hazards.
 - 4) Power tool use and care
 - a) Keep guards in place and in working order.
 - b) Do not force the power tool. Use the correct power tool for your application. The correct power tool will do the job better and safer at the rate for which it was designed.
 - c) Use right tool. Don't force tool or attachment to do a job for which it was not designed.
 - d) Do not use the power tool if the switch does not turn it on and off. Any power tool that cannot be controlled with the switch is dangerous and must be repaired.
 - e) Disconnect the plug from the power source and/or the battery pack from the power tool before making any adjustments, changing accessories, or storing power tools. Such preventive safety measures reduce the risk of starting the power tool accidentally.
 - f) Never leave tool running unattended. Turn power off. Don't leave tool until it comes to a complete stop.
 - g) Store idle power tools out of the reach of children and do not allow persons unfamiliar with the power tool or these instructions to operate the power tool. Power tools are dangerous in the hands of untrained users.
 - h) Maintain power tools. Check for misalignment or binding of moving parts, breakage of parts and any other condition that may affect power tool operation. If damaged, have the power tool repaired before use. Many accidents are caused by poorly maintained power tools.
 - i) Keep cutting tools sharp and clean. Properly maintained cutting tools with sharp cutting edges are less likely to bind and are easier to control.
 - j) Use the recommended speed for the cutting tool or accessory and workpiece material.
 - k) Only use parts and accessories recommended by the manufacturer. Consult the owner's manual for recommended accessories. Using improper accessories may cause personal injury.
 - l) Use the power tool, accessories and tool bits etc., in accordance with these instructions and in the manner intended for the particular type of power tool, taking into account the working conditions and the work to be performed. Use of the power tool for operations different from those intended could result in a hazardous situation.
 - 5) Service
 - a) Have your power tool serviced by a qualified repair person using only identical replacement parts. This ensures that the safety of the power tool is maintained.
- 6) Additional Safety Rules for the DK5100 Pro Series Pocket-Hole Machine**
- a) Before making any adjustments or performing maintenance, disconnect the machine from the air supply. Cycle the machine via the foot switch several times to remove air from the system.
 - b) Do not operate the machine without the acrylic top plate securely fastened in place using the provided lock-down screws. Doing so increases your chances of injury or death.

GENERAL SAFETY INSTRUCTIONS

- c) Keep hands away from the rotating bits and workpiece clamps when operating the machine.
- d) Make sure the bits are completely withdrawn from the workpiece and come to a complete stop before adjusting the workpiece position.
- e) Be aware of kickbacks. Kickbacks occur when the workpiece binds while being drilled, causing it to twist, jump, and possibly become airborne. To avoid kickbacks and potential injury, always use sharp drill bits, keep the machine aligned and properly maintained, and adequately secure and support the workpiece.
- f) Secure the machine to prevent tipping or sliding. Never stand on the machine.
- g) Follow all lubrication and maintenance practices detailed in the instruction manual.
- h) This machine is designed for a specific application. Do not modify and/or use it for any other application. If you have questions relative to the application of the machine, DO NOT use it until you have contacted Kreg Tool Company and have been advised accordingly.
- 7) The Label on your machine may include the symbols below. The symbols and their definitions are as follows:

GUIDELINES FOR EXTENSION CORD USE

Extension cords are only to be used for temporary purposes. They do not replace the need for installation of outlets and proper wiring where necessary.


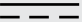





In the shop and on construction sites:

1. Extension cords with an equipment grounding conductor must be used at all times.
2. Extension cords must be protected from damage, and not run through doorways or windows where the doors or windows may close, causing damage to the cord.
3. Extension cords should be a minimum of 16 AWG and be rated for the equipment in use.
4. Extension cords must be periodically inspected to ensure that the insulation and conductivity of the wires are not compromised.
5. Extension cords should not be run through water or allowed to have connections that may be exposed to accumulated water


TABLE 1

Nameplate Amperes @120 V	Extension Cord Length					
	25'	50'	75'	100'	150'	200'
	Recommended Wire Gauge					
0 - 5	16	16	16	14	12	12
5.1 - 8	16	16	14	12	10	NR
8.1 - 12	14	14	12	10	NR	NR
12.1 - 16	12	12	NR	NR	NR	NR

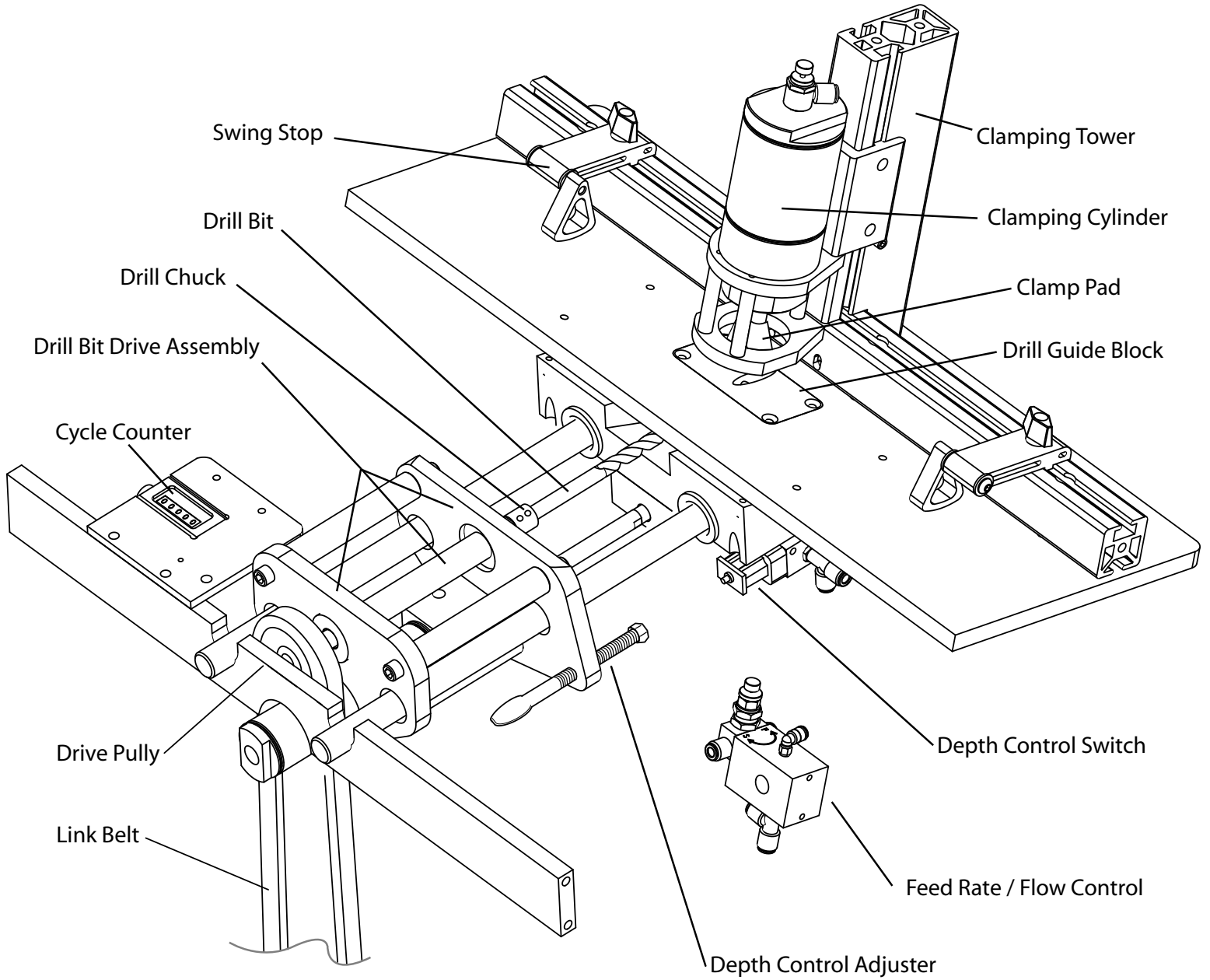
NR – Not Recommended

-  safety alert symbol
- V** volts
- Hz** hertz
- A** amperes
- W** watts
-  direct current
-  alternating current
-  alternating or direct current
-  Class I Construction (grounded)
-  Class II Construction (double insulated)
-  earthing terminal
- min** minutes
- /min** per minute
- BPM** beats per minute
- RPM** revolutions per minute
- n_0 no load speed
- Caution**
- Earth Ground Connection**
- Phase (hot) wire from the power source**
- Neutral wire from the power source**

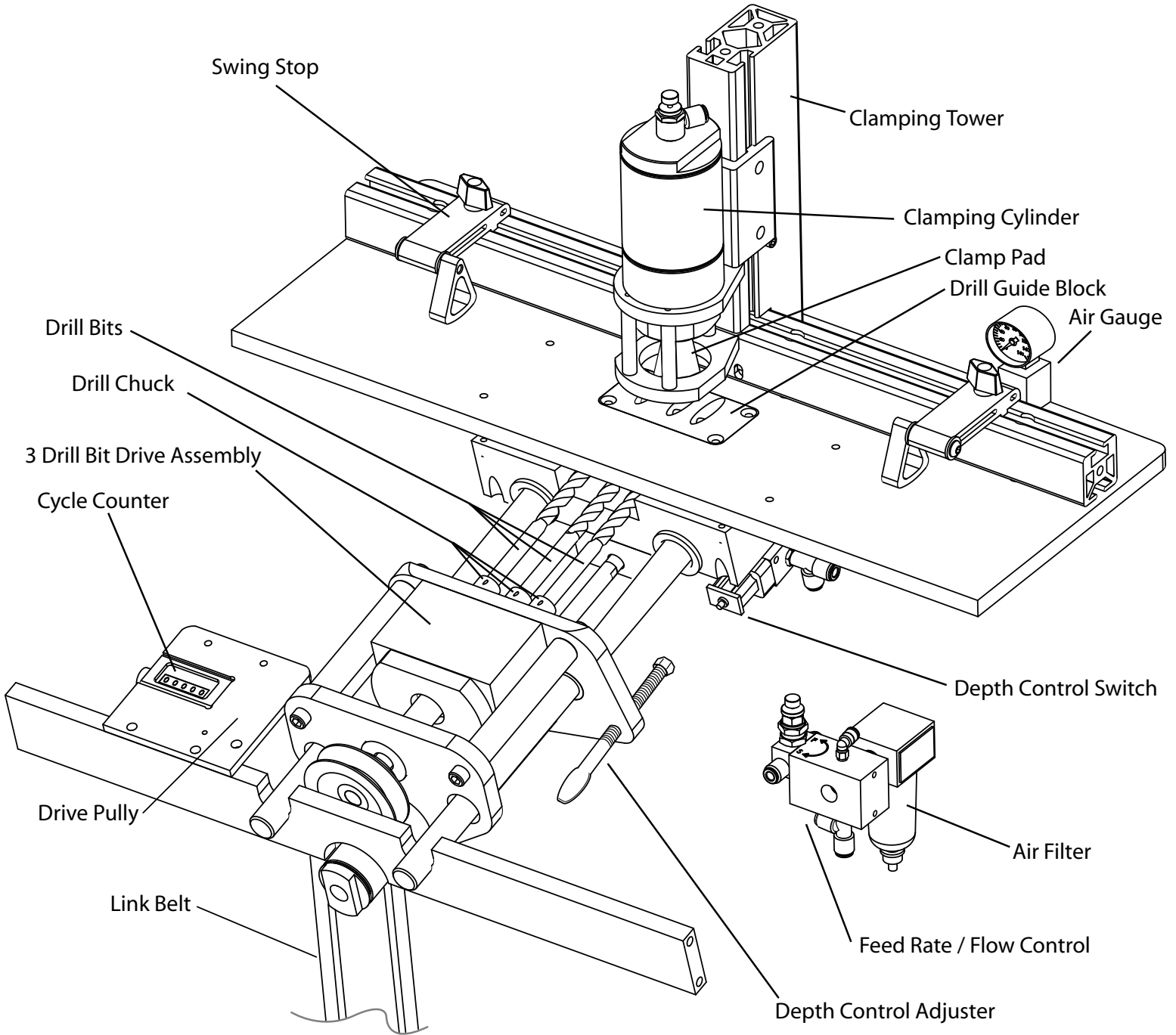
 **WARNING:** This product can expose you to chemicals including lead, which is known to the State of California to cause cancer, birth defects or reproductive harm. For more information go to www.P65Warnings.ca.gov.

 **WARNING:** Drilling, sawing, sanding or machining wood products can expose you to wood dust, a substance known to the State of California to cause cancer. Avoid inhaling wood dust or use a dust mask or other safeguards for personal protection. For more information go to www.P65Warnings.ca.gov/wood.

DK1100 FE - ELECTRIC MODEL PARTS DIAGRAM



DK3100 FE - ELECTRIC MODEL PARTS DIAGRAM

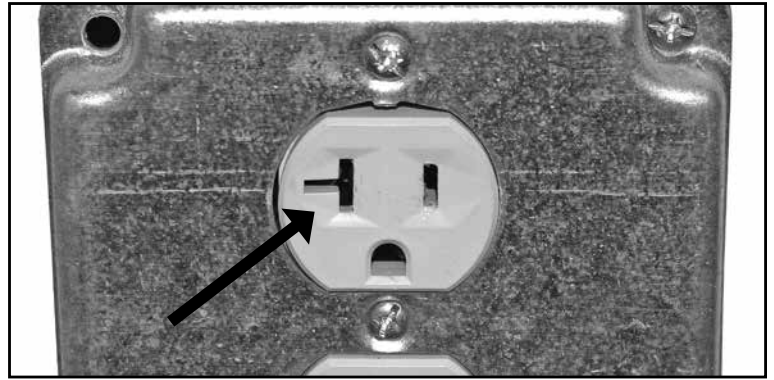


DK1100 FE / DK3100

Machine Requirements

These machines require a 20-amp electrical circuit. To reduce the risk of fire, only use this machine with a properly wired 20-amp outlet, indicated by a horizontal notch in the outlet left opening as shown. All electrical repairs to the machine must be made by a qualified electrician or service professional. Use only a 3-wire extension cord that has a 3-prong grounding plug and 3-pole receptacle that matches the tool plug.

⚠ ATTENTION Recommended air pressure for electric models: 90 psi. [621 kPa].

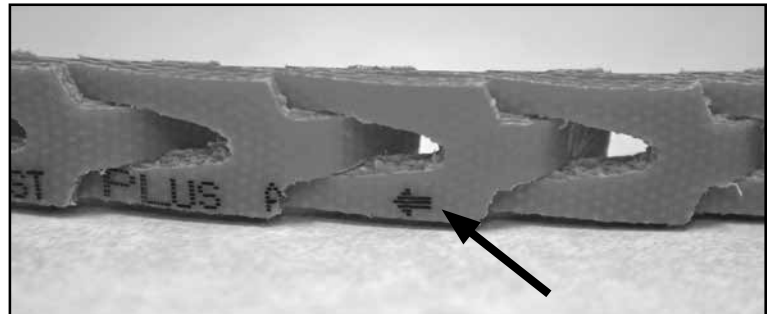


20 Amp Outlet Required

Belt Tension

These machines are equipped with a link belt designed to operate only in one direction. Black arrows on the belt indicate correct rotation. From the operator's view, the DK 1100 FE belt turns clockwise. The DK 3100 belt turns counter-clockwise. Break in the belt before use by installing it and allowing the machine to idle for five minutes without drilling. Then, re-tension the belt to ensure a snug fit.

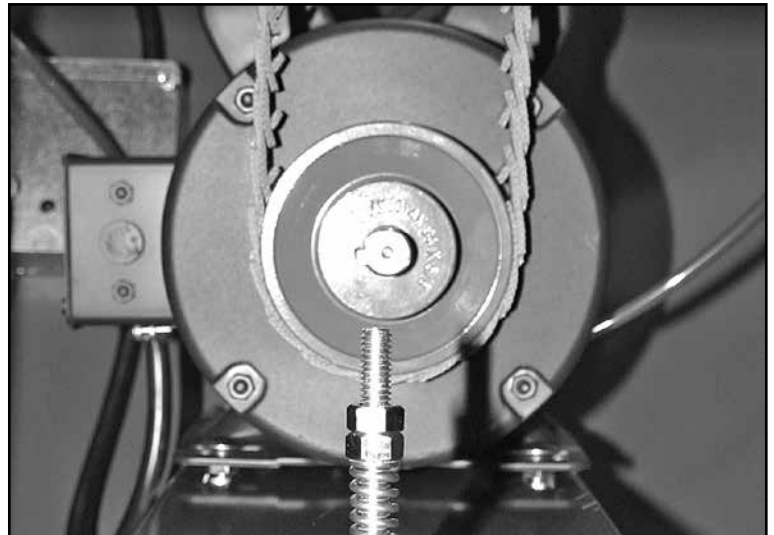
- (1) Loosen the upper nut on the tension-adjustment rod.
- (2) Tighten the lower nut against the springs to increase belt tension.
- (3) Tighten the upper nut against the lower nut.



Counter-Clockwise 3100 belt layout shown.

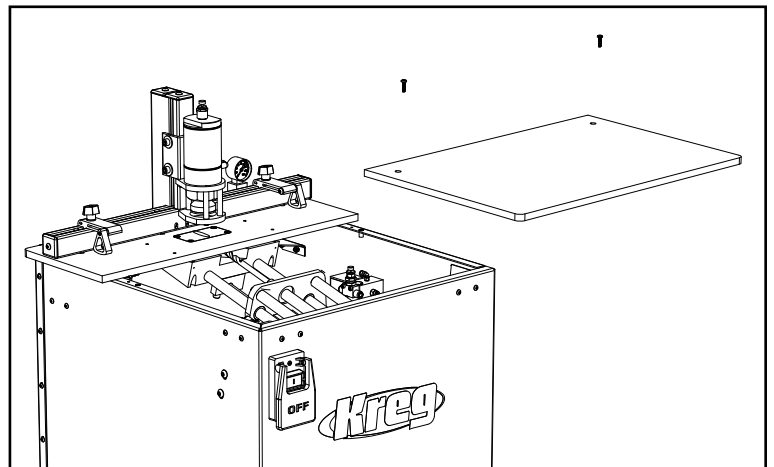
⚠ ATTENTION Proper belt tension maximizes drilling efficiency. Check belt tension at least once per day for the first week of operation, and tighten as necessary. After the break-in period, check belt tension once per week.

⚠ WARNING: Before adjusting belt tension, disconnect the machine from electrical and air supply. Cycle the machine via the foot switch several times to remove air from the system.



Secure the Acrylic Top

Position the acrylic top on the cabinet and secure it with two lock-down screws and the $\frac{1}{8}$ " hex wrench provided.



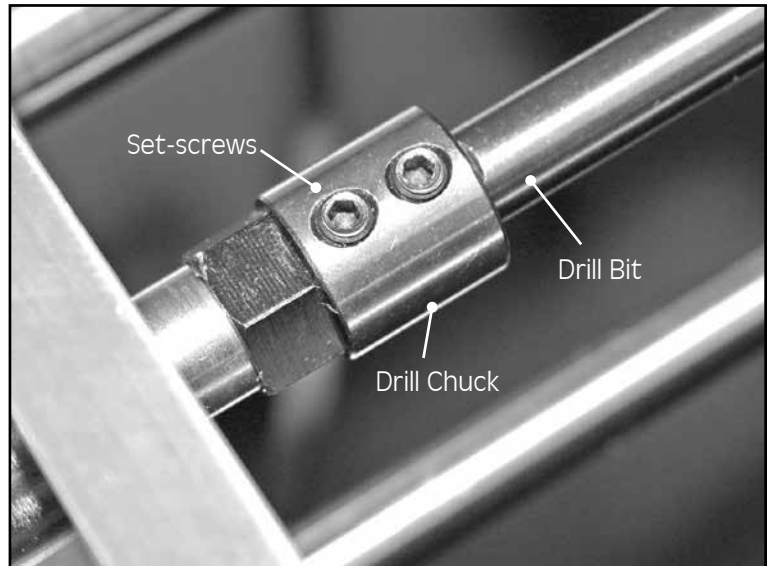
DK1100 FE / DK3100

Changing Drill Bits

A DKDB drill bit drills 4000–5000 holes in Oak before sharpening. This baseline was established using the factory settings for Feed Rate Control described in this manual. Adjust your sharpening schedule for your settings and the material being drilled.

⚠ WARNING: Before changing the drill bit, disconnect the machine from electrical and air supply. Cycle the machine via the foot switch several times to remove air from the system.

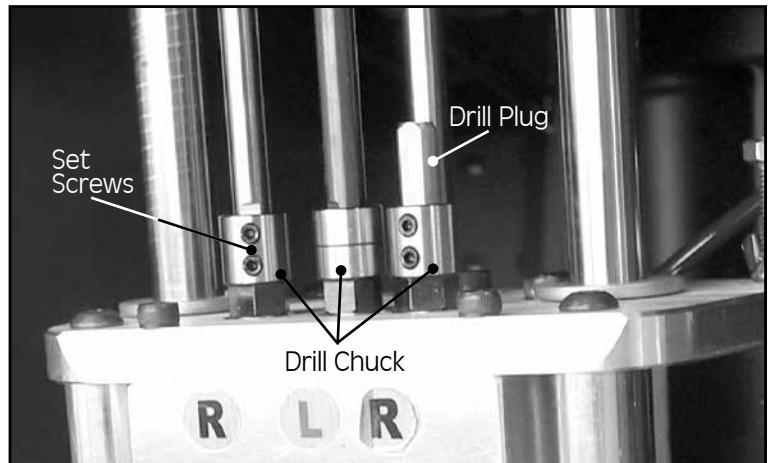
- (1) Remove the acrylic top plate.
- (2) Loosen both drill-chuck set screws with the provided hex wrench.
- (3) Slide the drill bit out of the chuck and into the drill-guide block until the end of the bit clears the chuck. Slightly angle the bit to avoid the chuck and withdraw the bit from the drill-guide block.
- (4) Insert a new or re-sharpened drill bit into the drill chuck, aligning the flat on the bit shank with the chuck set screws.
- (5) Tighten the set screws.
- (6) Re-set the counter to track drill-bit life.



Hole Spacing (DK3100 Only)

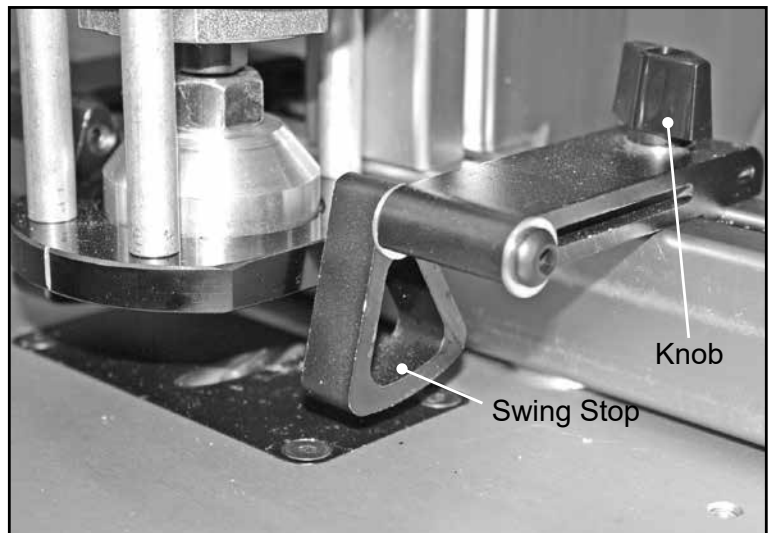
The DK3100 allows drilling a single pocket hole or two pocket holes at the same time. The 3-chuck head allows two-hole center-to-center spacing of $\frac{3}{4}$ " [19mm] (middle and right chucks), 1" [25mm] (left and middle chucks), or $1\frac{3}{4}$ " [44mm] (left and right chucks).

⚠ ATTENTION The middle drill chuck rotates to the left and only a left-hand drill bit, identified by the dark-gray color, can be used in that chuck.



Swing Stops

Two swing stops assist in drilling pocket holes in the same location on multiple work pieces. When not used, the swing stop pivots out of the way, allowing the work piece to slide underneath and rest against the fence. To change swing-stop location, loosen the knob, move the stop to the new location and tighten the knob.



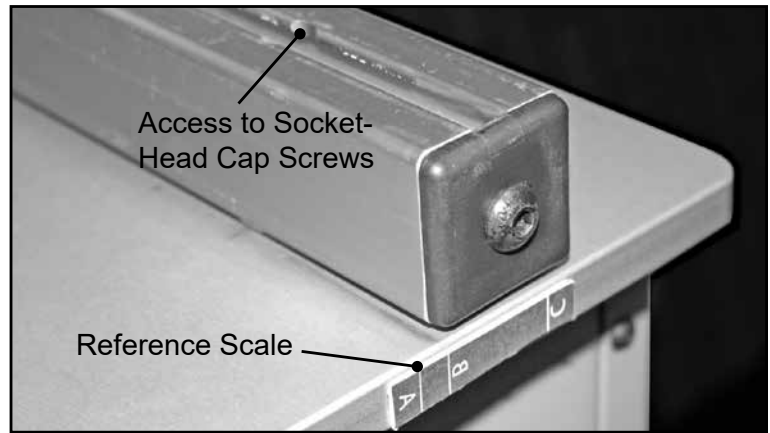
DK1100 FE / DK3100

Stock-Thickness Adjustment Fence Settings

The fence should be positioned so the pocket screw emerges at the center of the material thickness. When adjusting the fence, make sure it remains parallel to the front edge of the guide block.

- (1) Loosen the four socket-head screws located in the slot in the top of the fence.
- (2) Align the face of the fence with the letter scales on the edges of the base plate that correspond to the material thickness.
- (3) Tighten the socket-head screws.

Setting A for $\frac{1}{2}$ " [13mm] material
Setting B for $\frac{3}{4}$ " [19mm] material
Setting C for $1\frac{1}{2}$ " [38mm] material



Drilling-Depth Stop

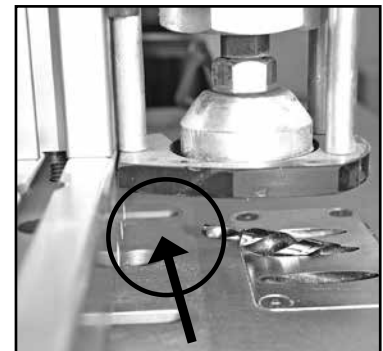
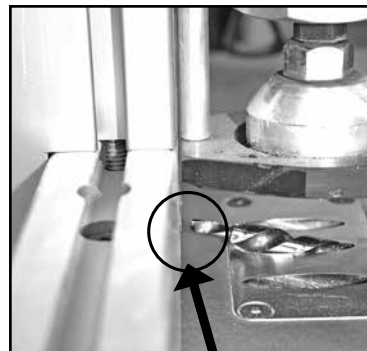
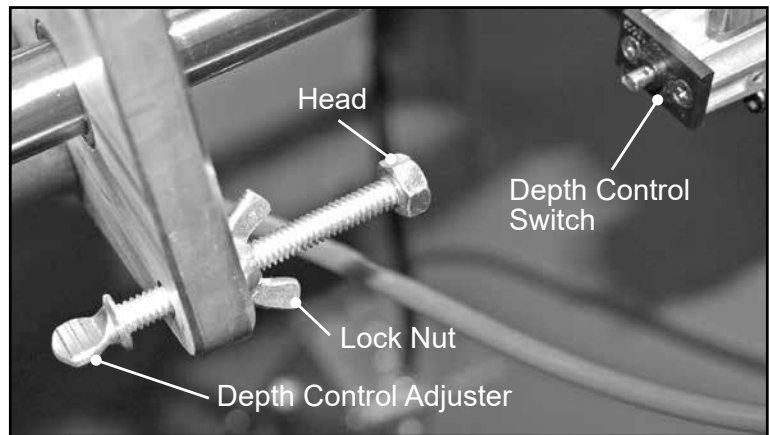
The drilling-depth stop controls drill-bit forward travel and the drill-feed cylinder cycle. When the depth stop contacts the depth control switch, the forward travel of the drill bit stops and reverses, completing the drilling cycle.

WARNING: Before adjusting the drilling-depth stop, disconnect the machine from electrical and air supply. Cycle the machine via the foot switch several times to remove air from the system.

- (1) Loosen the wing nut.
- (2) Push the drill-bit drive assembly forward to provide the following clearances between the drill-bit pilot point and the fence:
 $\frac{1}{2}$ " [13mm] and $\frac{3}{4}$ " [19mm] material: $\frac{1}{8}$ " [3mm] clearance
 $1\frac{1}{2}$ " [38mm] material: 1" [25mm] clearance

- (3) Adjust the depth-control adjuster until the head fully depresses the plunger on the depth-control switch.
- (4) Tighten the lock nut.
- (5) Pull the drill-bit drive assembly back until it stops.

ATTENTION Sharpening a drill bit makes it shorter. When installing a sharpened bit, readjust the drilling depth.



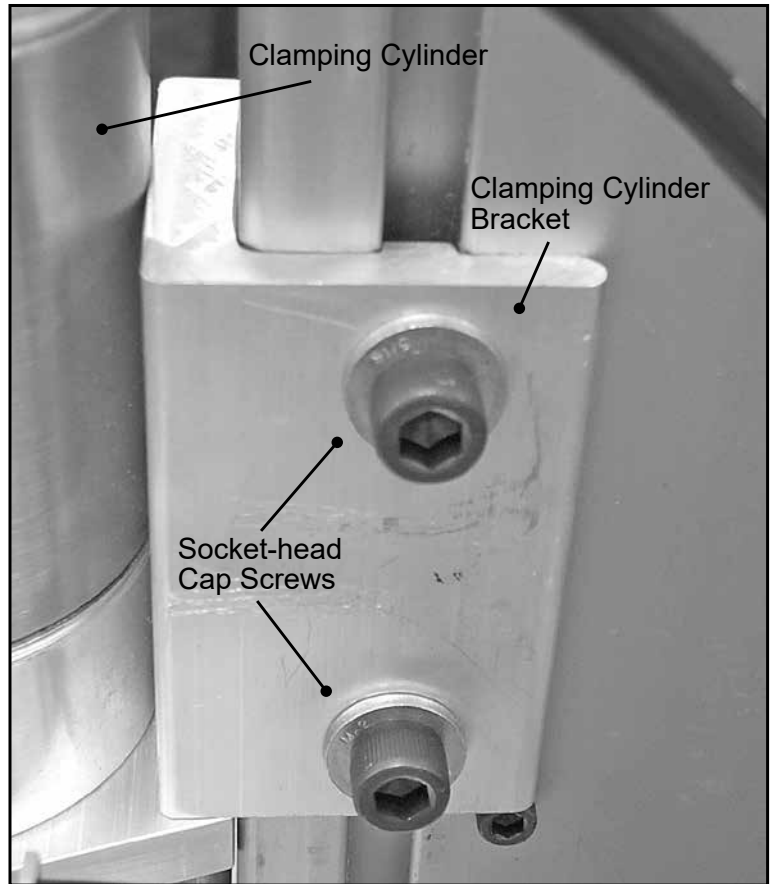
DK1100 FE / DK3100

Clamping-Cylinder Height

The factory cylinder-height setting accommodates $\frac{1}{2}$ "– $\frac{3}{4}$ " [13mm–19mm] material thicknesses.

⚠ WARNING: Before adjusting the drilling-depth stop, disconnect the machine from electrical and air supply. Cycle the machine via the foot switch several times to remove air from the system.

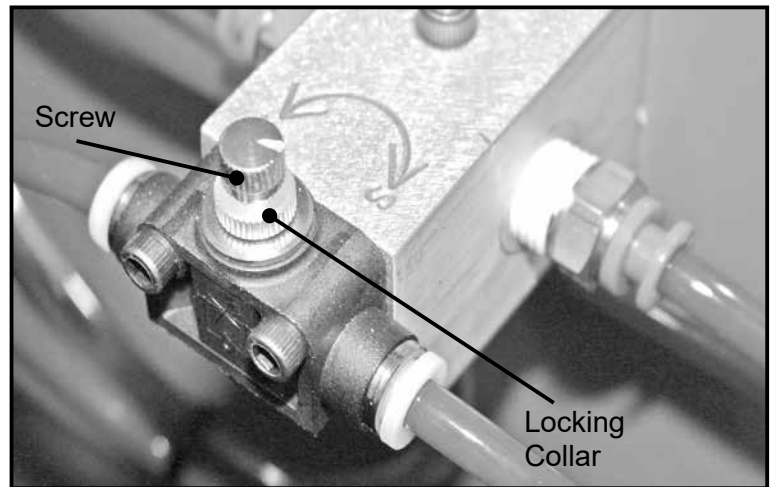
- (1) Loosen two socket-head screws on each side of the clamping cylinder bracket.
- (2) Adjust the clamping cylinder to allow the workpiece to pass under the clamp pad.
- (3) Tighten the socket-head screws.



Feed Rate

The feed-rate control valve controls the speed at which the drill bit advances into the material. The factory setting optimizes drill-bit life. The valve can be adjusted when a faster or slower rate feed is desired. Adjustment is only recommended for experienced users who consistently drill the same thickness and type of material.

- (1) Loosen the locking collar and rotate the screw in the direction of the desired change in feed rate, F for faster and S for slower. A small rotation results in a large change in feed rate.
 - (2) Tighten the locking collar.
- To return to the factory settings after changing the feed rate:
- (1) Loosen the locking collar.
 - (2) Turn the screw clockwise until it stops.
 - (3) Turn the screw counter-clockwise four complete turns for the DK1100 FE and three complete turns for the DK3100.
 - (4) Tighten the locking collar.

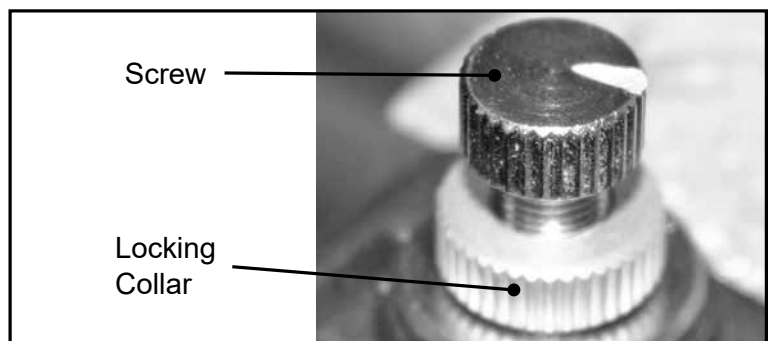


Clamping Duration

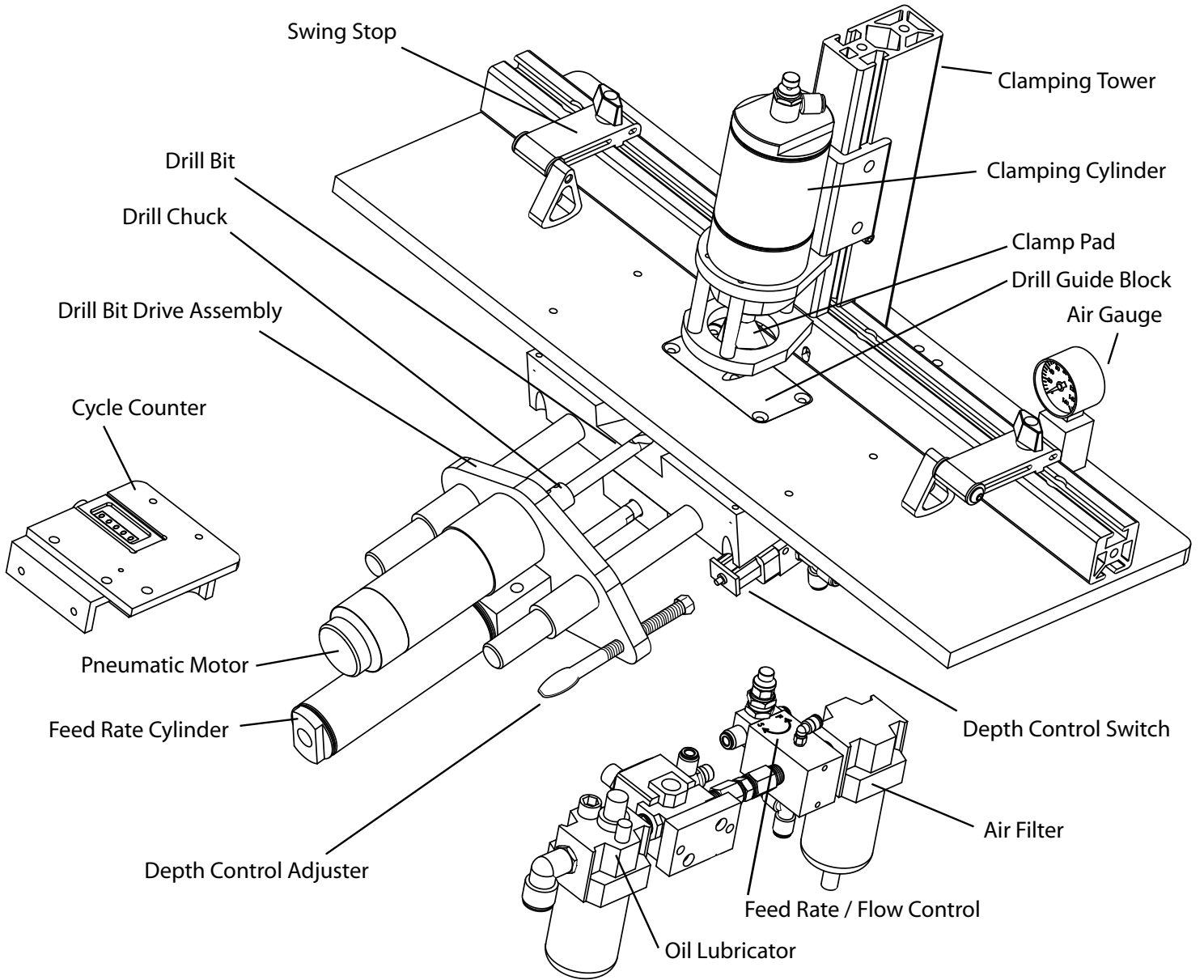
The clamping duration control adjusts the amount of time the pneumatic clamp engages the material before, during, and after drilling.

- (1) Loosen the locking collar
- (2) Turn the screw clockwise to increase clamping time, counter-clockwise to decrease clamping time.
- (3) Tighten the locking collar.

⚠ ATTENTION If the workpiece lifts off of the drill guide block during drilling, either the clamping cylinder height, the clamping duration, or both must be adjusted.



DK1100 FP / TP PARTS DIAGRAM



DK1100 FP / TP

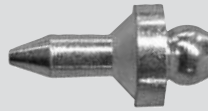
Machine Requirements

To receive adequate air supply from your air compressor, these all- pneumatic machines feature $\frac{3}{8}$ " [10mm] high-flow fittings. Use on a system with $\frac{1}{2}$ " [13mm] or larger piping and make the connection to the machine with a $\frac{3}{8}$ " [10mm] hose. Restricting air flow with a smaller-diameter hose or connector may degrade machine performance. Maintain the shortest possible distance between your air compressor and the machine and use the shortest possible hose.

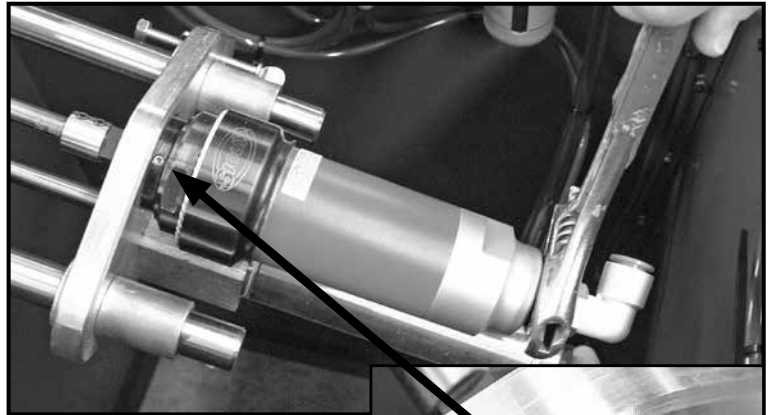
ATTENTION Recommended air pressure for pneumatic models: 120 psi. [827 kPa].

For a machine in daily use, lubricate the pneumatic drill at least once per month, using a grease gun and the needle-point zerk fitting included with your machine. Kreg recommends two pumps of Sta-Lube Extreme Pressure Moly-Graph® Multi-Purpose Grease (Fastenal, 1.800.272.8963, www.fastenal.com) or equivalent.

WARNING: Before lubricating the drill, disconnect the machine from the air supply. Cycle the machine via the foot switch several times to remove air from the system.



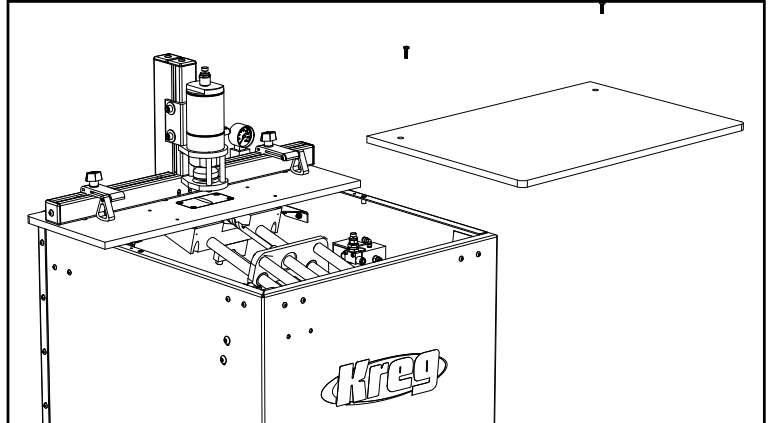
GREASE ZERK FITTING INCLUDED WITH MACHINE



You may need to rotate the drill to gain access to the grease port. Use a wrench to rotate the black fitting at the rear of the drill clockwise.

Secure the Acrylic Top

Position the acrylic top on the cabinet and secure it with two lock-down screws and the $\frac{1}{8}$ " hex wrench provided.

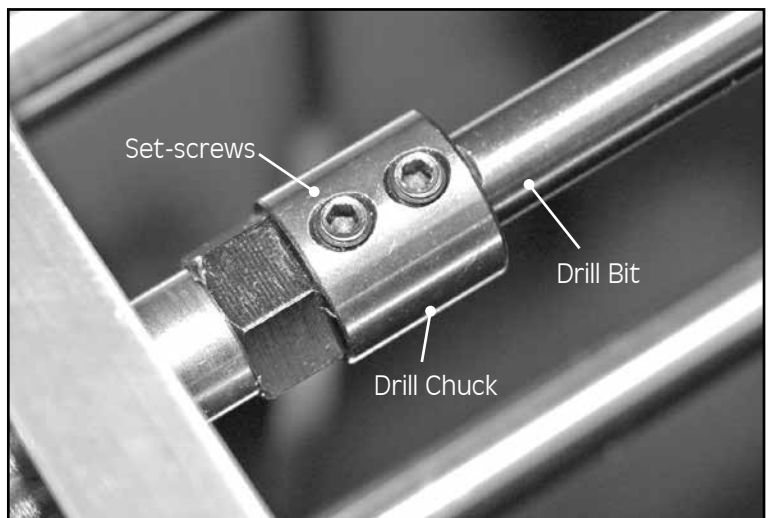


Changing Drill Bits

A DKDB drill bit drills 4000–5000 holes in Oak before sharpening. This baseline was established using the factory settings for Feed Rate Control described in this manual. Adjust your sharpening schedule for your settings and the material being drilled.

WARNING: Before changing the drill bit, disconnect the machine from the air supply. Cycle the machine via the foot switch several times to remove air from the system.

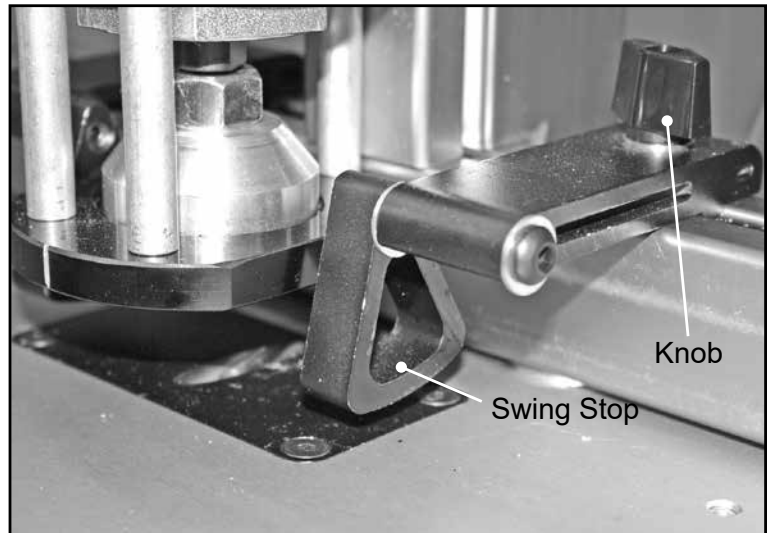
- (1) Remove the acrylic top plate.
- (2) Loosen both drill-chuck set-screws with the provided hex wrench.
- (3) Slide the drill bit out of the chuck and into the drill-guide block until the end of the bit clears the chuck. Slightly angle the bit to avoid the chuck and withdraw the bit from the drill-guide block.
- (4) Insert a new or re-sharpened drill bit into the drill chuck, aligning the flat on the bit shank with the chuck set-screws.
- (5) Tighten the set screws.
- (6) Re-set the counter to track drill-bit life.



DK1100 FP / TP

Swing Stops

Two swing stops assist in drilling pocket holes in the same location on multiple work pieces. When not used, the swing stop pivots out of the way, allowing the work piece to slide underneath and rest against the fence. To change swing-stop location, loosen the knob, move the stop to the new location and tighten the knob.

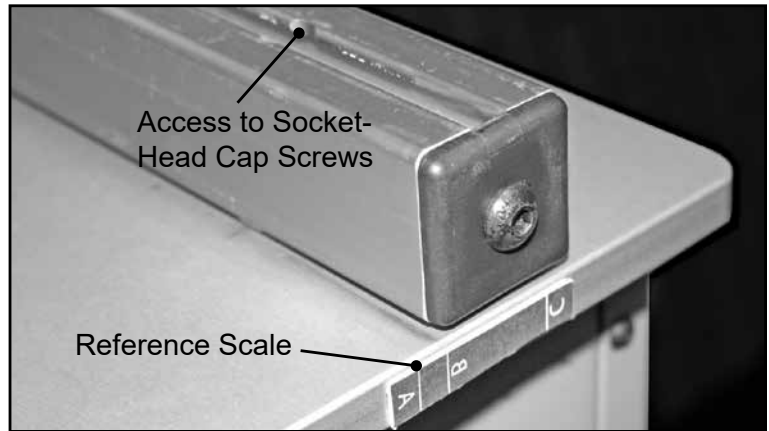


Stock-Thickness Adjustment Fence Settings

The fence should be positioned so the pocket screw emerges at the center of the material thickness. When adjusting the fence, make sure it remains parallel to the front edge of the guide block.

- (1) Loosen the four socket-head screws located in the slot in the top of the fence.
- (2) Align the face of the fence with the letter scales on the edges of the base plate that correspond to the material thickness.
- (3) Tighten the socket-head screws.

Setting A for $\frac{1}{2}$ " [13mm] material
Setting B for $\frac{3}{4}$ " [19mm] material
Setting C for $1\frac{1}{2}$ " [38mm] material



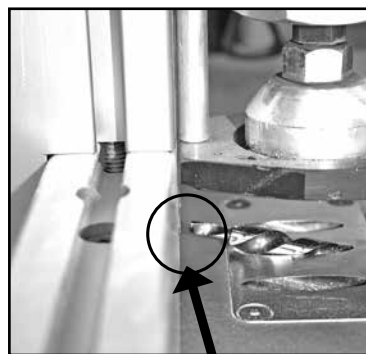
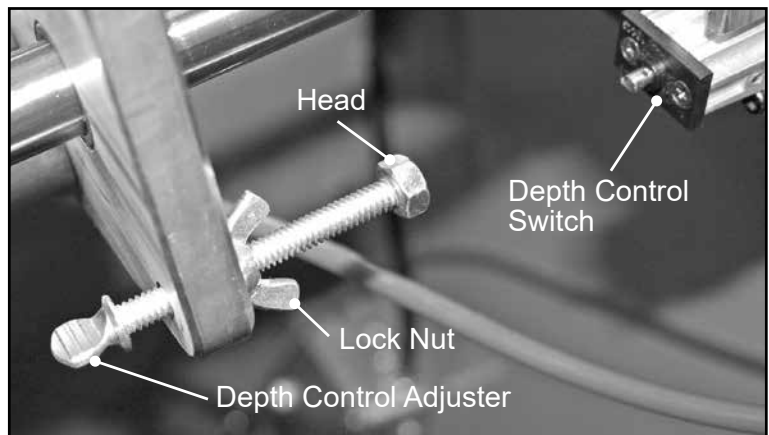
Drilling-Depth Stop

The drilling-depth stop controls drill-bit forward travel and the drill-feed cylinder cycle. When the depth stop contacts the depth control switch, the forward travel of the drill bit stops and reverses, completing the drilling cycle.

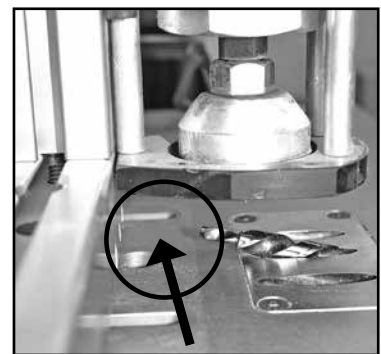
WARNING: Before adjusting the drilling-depth stop, disconnect the machine from electrical and air supply. Cycle the machine via the foot switch several times to remove air from the system.

- (1) Loosen the wing nut.
- (2) Push the drill-bit drive assembly forward to provide the following clearances between the drill-bit pilot point and the fence:
 $\frac{1}{2}$ " [13mm] and $\frac{3}{4}$ " [19mm] material: $\frac{1}{8}$ " [3mm] clearance
 $1\frac{1}{2}$ " [38mm] material: 1 " [25mm] clearance
- (3) Adjust the depth-control adjuster until the head fully depresses the plunger on the depth-control switch.
- (4) Tighten the lock nut.
- (5) Pull the drill-bit drive assembly back until it stops.

ATTENTION: Sharpening a drill bit makes it shorter. When installing a sharpened bit, readjust the drilling depth.



Shown for use with $\frac{1}{2}$ " & $\frac{3}{4}$ " Settings.



Shown for use with $1\frac{1}{2}$ " Setting.

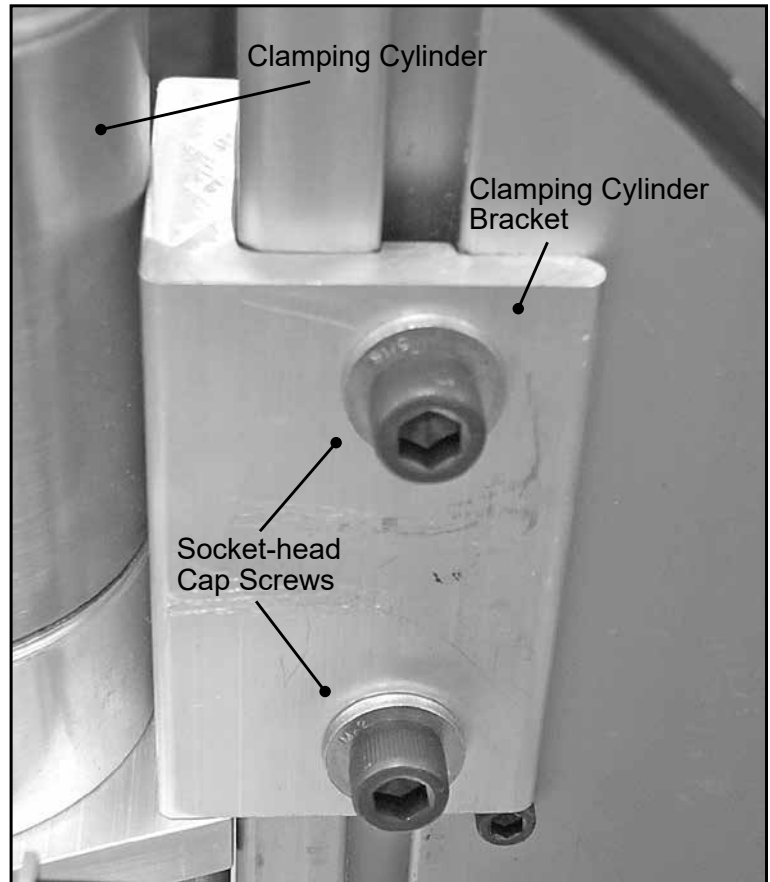
DK1100 FP / TP

Clamping-Cylinder Height

The factory cylinder-height setting accommodates $\frac{1}{2}$ "– $\frac{3}{4}$ " [13mm–19mm] material thicknesses.

⚠ WARNING: Before adjusting the drilling-depth stop, disconnect the machine from electrical and air supply. Cycle the machine via the foot switch several times to remove air from the system.

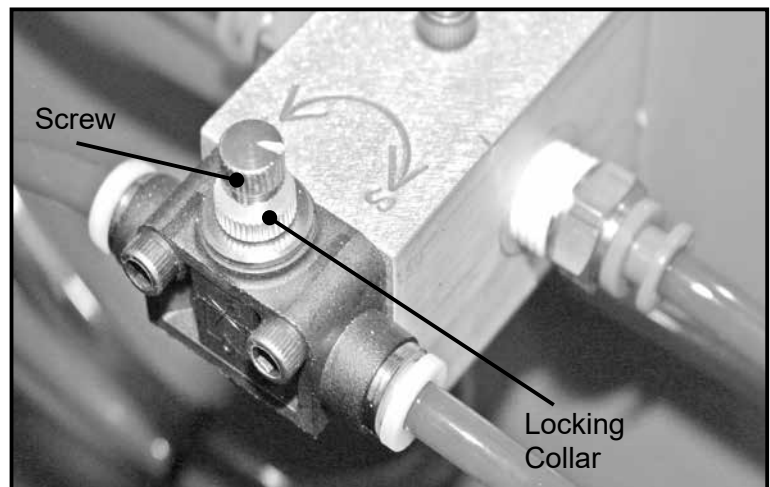
- (1) Loosen two socket-head screws on each side of the clamping cylinder bracket.
- (2) Adjust the clamping cylinder to allow the workpiece to pass under the clamp pad.
- (3) Tighten the socket-head screws.



Feed Rate

The feed-rate control valve controls the speed at which the drill bit advances into the material. The factory setting optimizes drill-bit life. The valve can be adjusted when a faster or slower rate feed is desired. Adjustment is only recommended for experienced users who consistently drill the same thickness and type of material.

- (1) Loosen the locking collar and rotate the screw in the direction of the desired change in feed rate, F for faster and S for slower. A small rotation results in a large change in feed rate.
- (2) Tighten the locking collar. To return to the factory settings after changing the feed rate:
 - (1) Loosen the locking collar.
 - (2) Turn the screw clockwise until it stops.
 - (3) Turn the screw counter-clockwise four complete turns for the DK1100 FE and three complete turns for the DK3100.
 - (4) Tighten the locking collar.

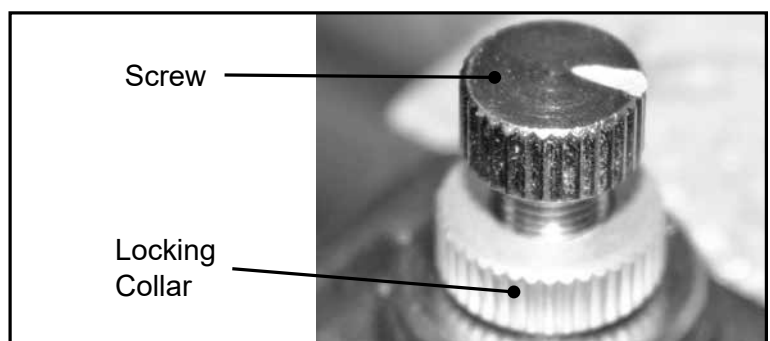


Clamping Duration

The clamping duration control adjusts the amount of time the pneumatic clamp engages the material before, during, and after drilling.

- (1) Loosen the locking collar
- (2) Turn the screw clockwise to increase clamping time, counter-clockwise to decrease clamping time.
- (3) Tighten the locking collar.

⚠ ATTENTION If the workpiece lifts off of the drill guide block during drilling, either the clamping cylinder height, the clamping duration, or both must be adjusted.



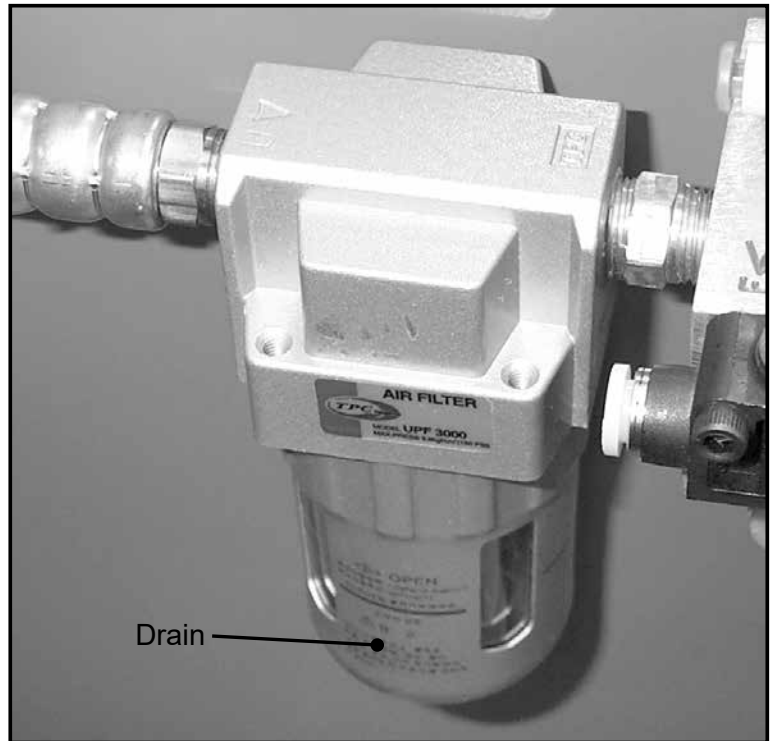
DK1100 FP / TP

Air-System Filter

The air-system filter maintains a clean, moisture-free supply of compressed air to the machine and periodically must be drained.

- (1) Push the drain valve up toward the reservoir or to the side.
- (2) Let system air pressure blow out the collected fluid.
- (3) Release the drain valve.

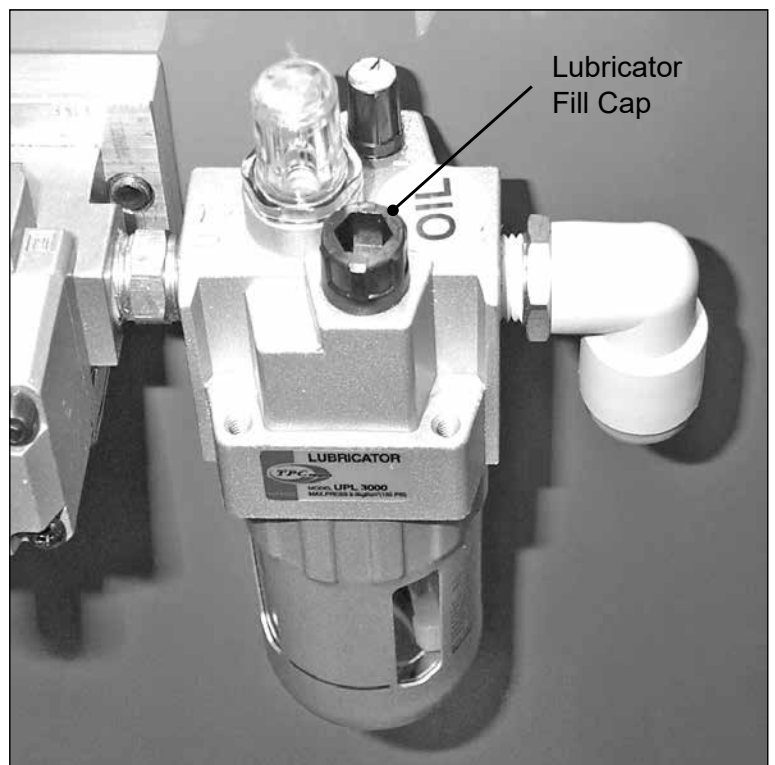
⚠ WARNING: Before adjusting the drilling-depth stop, disconnect the machine from electrical and air supply. Cycle the machine via the foot switch several times to remove air from the system.



Air-System Lubricator

The air-system lubricator is filled with air-motor oil and maintains proper pneumatic motor lubrication. The lubricator is factory set at $\frac{1}{2}$ turn open. The oil level should be routinely checked and refilled with air motor oil comparable to that provided. Normal use of the machine causes a light oil film to accumulate on the underside of the top plate where the pneumatic motor exhausts.

⚠ WARNING: Before filling the lubricator, disconnect the machine from the air supply. Cycle the machine via the foot switch several times to remove air from the system.



WARRANTY

DK SERIES FULLY AUTOMATIC POCKET HOLE MACHINES

Do not return the machine to the dealer for warranty service. For all warranty issues, contact Kreg Tool Company Customer Service at the address or phone number below.

Kreg Tool Company warrants to authorized distributors of Kreg products and original purchasers from such distributors, the DK1100 and DK3100 pocket-hole machines to be free from defects in materials and workmanship for a five-year period from the date of delivery to the original purchaser. The motor and other working parts of the machine carry a one (1) year warranty from the date of delivery to the original purchaser. The drill guide carries a lifetime warranty.

Kreg, at its option, will repair or replace any product or component part thereof proving defective during the warranty period. This warranty only applies to products used in accordance with all instructions set forth in catalogs and manuals furnished by Kreg Tool Company as to operation, maintenance and safety.

This warranty does not apply to (1) items normally consumed or requiring replacement due to normal wear (drill bits, lubricants, etc.); (2) the cost of removal of components if such removal is authorized by Kreg Tool Company; (3) shipment to Kreg Tool Company's repair facility; or (4) reinstallation of components.

This warranty becomes effective only when the accompanying card or online form (available at www.kregtool.com) is fully and properly completed and returned to Kreg Tool Company within ten (10) days from date of delivery to the original purchaser.

This warranty is null and void if the product has been subjected to (1) misuse, abuse, or improper service or storage; (2) accident, neglect, damage, or other circumstances beyond Kreg Tool Company control; and (3) modifications, disassembly, tampering, alterations, or repairs outside of the Kreg Tool Company factory not authorized by Kreg Tool Company. This warranty does not apply to (1) any product not bearing the original serial-number plate; (2) non-original purchasers; and (3) normal wear and tear, corrosion, abrasion, or repairs required due to natural causes or acts of God.

To obtain warranty service, contact the distributor from whom the pocket-hole machine was purchased or contact Kreg Tool Company directly. Proof of purchase is required for remedy under the terms of this warranty. Kreg Tool Company assumes no responsibility for products returned without prior authorization. Kreg Tool Company obligations under this warranty shall be exclusively limited to repairing or replacing (at Kreg Tool Company option) products determined by Kreg Tool Company to be defective upon delivery to the Kreg Tool Company factory and inspection by Kreg Tool Company technicians. Under no circumstance shall Kreg Tool Company be liable for incidental or consequential damages resulting from defective products, nor shall Kreg Tool Company liability exceed the purchase price paid by the original purchaser.

This is the Kreg Tool Company sole warranty. Any and all other warranties implied by law, including any warranties for merchantability or fitness for a particular purpose, are hereby limited to the duration of this warranty. Kreg Tool Company shall not be liable for any loss, damage, or expense directly or indirectly related to the use of its products or from any other cause or for consequential damages including without limitation, loss of time, inconvenience, and loss of production. The warranty contained herein may not be modified and no other warranty, expressed or implied, shall be made by or on behalf of Kreg Tool Company.

Register your warranty within ten (10) days of date of delivery. Warranty service will not be provided without registration.

KEEP A COPY OF THIS FORM FOR YOUR RECORDS.

For your records the following information will be useful in the event warranty service is required. For a complete record, attach a copy of the purchase invoice to this form.

Date of Purchase: ___/___/___

Purchased From: _____

Serial Number: _____

(serial number located on front edge of work surface plate)

CONSIGNES DE SÉCURITÉ GÉNÉRALES

CONSERVEZ CES INSTRUCTIONS

- 1) Mesures de sécurité dans l'aire de travail
 - a) Gardez l'aire de travail propre et bien éclairée. Une aire de travail sombre ou en désordre augmente les risques d'accident.
 - b) N'utilisez pas un outil électrique dans un environnement dangereux. N'utilisez pas un outil électrique dans un endroit mouillé ou humide et ne l'exposez pas à la pluie.
 - c) N'utilisez pas d'outils électriques dans un milieu explosif, par exemple où il y a présence de liquides, de vapeurs ou de poussières inflammables. Les outils électriques produisent des étincelles susceptibles d'enflammer ces vapeurs ou ces poussières.
 - d) Gardez les enfants et les autres personnes à l'écart lorsque vous utilisez un outil électrique. Une distraction peut vous faire perdre la maîtrise de l'outil.
 - e) Empêchez les enfants d'accéder à l'atelier en utilisant des cadenas et un interrupteur général ou en retirant les clés du commutateur d'allumage.
- 2) Consignes de sécurité relatives à l'électricité
 - a) N'exposez pas les outils électriques à la pluie ou à tout autre environnement humide. L'infiltration d'eau dans un outil électrique augmente les risques de choc électrique.
 - b) N'utilisez pas le cordon d'alimentation de façon abusive. Ne transportez jamais un outil électrique en le tenant par son cordon, et ne tirez jamais sur le cordon pour le débrancher. Tenez le cordon d'alimentation éloigné des sources de chaleur, de l'huile, des objets coupants et des pièces mobiles. Les risques de choc électrique sont plus élevés si le cordon d'alimentation est endommagé ou emmêlé.
 - c) Utilisez une rallonge appropriée et assurez-vous qu'elle est en bon état. Utilisez une rallonge qui convient au courant consommé par la machine. Une rallonge de calibre insuffisant entraînera une baisse de la tension secteur, une perte de puissance et une surchauffe. Le tableau 1 montre le calibre de la rallonge approprié selon la longueur de la rallonge et l'intensité nominale inscrite sur la plaque signalétique. En cas de doute, utilisez une rallonge de calibre supérieur. Plus le numéro du calibre est bas, plus la rallonge est résistante.
- 3) Sécurité personnelle
 - a) Soyez vigilant, prêtez attention à ce que vous faites et usez de votre jugement lorsque vous utilisez un outil électrique. N'utilisez pas un outil électrique lorsque vous êtes fatigué ou sous l'effet de drogues, d'alcool ou de médicaments. Un moment d'inattention lorsque vous utilisez des outils électriques peut occasionner des blessures graves.
 - b) Portez toujours des lunettes de sécurité. Les lunettes ordinaires sont seulement munies de verres résistants aux chocs et ne peuvent pas être considérées comme des lunettes de sécurité.
 - c) Utilisez de l'équipement de sécurité. Portez un masque facial ou un masque antipoussières quand la coupe produit beaucoup de poussière. Le port d'équipement de sécurité, comme un masque antipoussières, des chaussures de sécurité antidérapantes, un casque de protection et des protecteurs auditifs, lorsque les conditions l'exigent, réduit les risques de blessures.
 - d) Évitez les mises en marche accidentelles de l'outil. Assurez-vous que l'interrupteur de l'outil est à la position d'arrêt avant de le brancher. Le fait de transporter un outil électrique en gardant le doigt sur l'interrupteur ou de le brancher, tandis que son interrupteur est en position de marche, augmente les risques d'accident.
 - e) Retirez toutes les clés de réglage de l'outil électrique avant de mettre celui-ci en marche. Une clé de réglage oubliée sur une pièce rotative de l'outil électrique peut occasionner des blessures graves.
 - f) Ne vous étirez pas pour étendre votre portée. Gardez une posture sécuritaire et un bon équilibre en tout temps. Cela vous permet de mieux maîtriser l'outil électrique lorsque des situations inattendues se présentent.
 - g) Assurez-vous que la pièce à travailler est bien fixée. Utilisez des serre-joints ou un étau pour fixer la pièce sur laquelle vous travaillez, au besoin. Cette technique est plus sécuritaire que l'utilisation de vos mains et vous permet de garder les mains libres pour faire fonctionner l'outil.
 - h) Ne vous tenez jamais debout sur l'appareil. Des blessures graves peuvent survenir s'il se renverse ou si l'outil tranchant est accidentellement mis en marche.
 - i) Habillez-vous convenablement. Ne portez pas de vêtements amples ni de bijoux. Gardez vos cheveux, vos vêtements et vos gants loin des pièces mobiles. Les vêtements amples, les bijoux et les cheveux longs risquent de se prendre dans les pièces en mouvement.
 - j) Si un dispositif permet de raccorder un dépoussiéreur, assurez-vous que celui-ci est branché et utilisé correctement. L'usage de ces dispositifs contribue à réduire les dangers liés à la poussière.
- 4) Utilisation et entretien d'un outil électrique
 - a) Gardez les protecteurs en place et en état de fonctionnement.
 - b) Ne forcez pas l'outil électrique. Utilisez l'outil électrique approprié à l'utilisation que vous envisagez. L'outil électrique adéquat vous permettra de mieux accomplir le travail avec plus de sécurité et au rythme pour lequel il a été conçu.
 - c) Utilisez le bon outil. Ne tentez pas d'utiliser un outil ou l'un de ses accessoires pour effectuer un travail pour lequel il n'est pas conçu.
 - d) N'utilisez pas l'outil électrique si l'interrupteur ne fonctionne pas. Tout outil électrique qui ne peut être commandé au moyen de l'interrupteur est dangereux et doit être réparé.
 - e) Débranchez la fiche de la prise ou retirez le bloc-piles de l'outil électrique avant d'effectuer des réglages, de changer d'accessoire ou de ranger l'outil. Ces mesures de sécurité préventives réduisent les risques de mettre accidentellement l'outil électrique en marche.
 - f) Ne laissez jamais l'outil en marche sans supervision. Coupez l'alimentation électrique. Ne vous éloignez pas de l'outil tant qu'il ne s'est pas complètement arrêté.
 - g) Rangez les outils électriques inutilisés hors de la portée des enfants et ne laissez pas les personnes ne connaissant pas bien l'outil ou ces instructions utiliser l'outil. Les outils électriques sont dangereux s'ils se retrouvent entre les mains d'utilisateurs qui ne savent pas s'en servir.
 - h) Entretenez les outils électriques. Vérifiez les pièces mobiles pour vous assurer qu'elles ne sont pas désalignées, enrayées, brisées ou dans un état qui pourrait nuire au fonctionnement de l'outil électrique. Si l'outil électrique est endommagé, faites-le réparer avant de l'utiliser. De nombreux accidents sont provoqués par des outils électriques mal entretenus.
 - i) Gardez vos outils tranchants affûtés et propres. Des outils de découpe aux lames affûtées risquent moins de s'accrocher et sont plus faciles à contrôler.
 - j) Utilisez la vitesse recommandée pour l'outil de coupe, l'accessoire et la pièce à travailler.
 - k) N'utilisez que des pièces et des accessoires recommandés par le fabricant. Consultez la liste des accessoires recommandés dans le guide d'utilisation. L'utilisation d'accessoires inappropriés peut causer des blessures.
 - l) Utilisez l'outil électrique, les accessoires, les embouts et les autres éléments conformément aux instructions et aux fins pour lesquelles l'outil a été conçu, en tenant compte des conditions de travail et des tâches à effectuer. L'utilisation de l'outil électrique à des fins autres que celles pour lesquelles il a été conçu pourrait créer une situation dangereuse.
- 5) Entretien
 - a) Demandez à un technicien qualifié qui utilise seulement des pièces de rechange identiques aux pièces d'origine d'effectuer l'entretien de votre outil électrique. Vous vous assurez ainsi de respecter les consignes de sécurité de l'outil électrique.
- 6) Règles de sécurité supplémentaires relatives à l'appareil pour perçage à angle DK5100 de la série Pro

CONSIGNES DE SÉCURITÉ GÉNÉRALES

- Débranchez l'appareil de la source d'air avant d'effectuer toute réparation ou tout entretien. Actionnez plusieurs fois l'appareil à l'aide de l'interrupteur au pied pour évacuer tout l'air du système.
 - N'utilisez pas l'appareil si le plateau en acrylique n'est pas solidement fixé en place à l'aide des vis de verrouillage fournies. Cela augmenterait le risque de blessures ou de mort.
 - Gardez les mains éloignées du foret en rotation ou du serre-joint lorsque vous utilisez l'appareil.
 - Assurez-vous que le foret est totalement dégagé de la pièce et qu'il s'est complètement arrêté avant d'ajuster la position de la pièce.
 - Faites attention aux rebonds. Ceux-ci se produisent lorsque la pièce se coince pendant que vous la percez, ce qui risque de tordre la pièce, de la faire sauter et de la projeter en l'air. Afin d'éviter les rebonds et les blessures potentielles, utilisez toujours des forets bien affûtés, maintenez l'appareil bien aligné et entretenu et placez la pièce de manière sécuritaire avec un bon soutien.
 - Fixez l'appareil en place afin de prévenir les basculements et les glissements. Ne vous tenez jamais debout sur la machine.
 - Suivez toutes les consignes d'entretien et de lubrification détaillées dans le manuel d'instructions.
 - Cet appareil est conçu pour une utilisation précise. Ne le modifiez pas et ne l'utilisez pas à d'autres fins. Si vous avez des questions ayant trait à l'utilisation de l'appareil, n'utilisez pas ce dernier avant d'avoir communiqué avec Kreg Tool Company et d'avoir reçu tous les renseignements requis.
- 7) Les symboles suivants peuvent figurer sur l'étiquette de votre appareil. Les symboles et leurs définitions sont les suivants :

INSTRUCTIONS POUR L'UTILISATION DES RALLONGES

Les rallonges ne servent qu'à un usage temporaire. Elles ne remplacent pas la nécessité d'installer des prises ni d'effectuer le câblage, au besoin.

Dans l'atelier ou sur les chantiers de construction :

- Utilisez des rallonges munies d'un conducteur de mise à la terre en tout temps.
- Protégez les rallonges contre les dommages. Ne les faites pas passer par les portes ou les fenêtres, car celles-ci pourraient se refermer et endommager les rallonges.
- Choisissez des rallonges d'un calibre minimal de 16 AWG qui conviennent aux outils que vous utilisez.
- Inspectez périodiquement les rallonges afin de vous assurer que les fils sont bien isolés et que leur conductivité n'est pas compromise.
- Ne faites pas passer de rallonges dans l'eau et ne les raccordez pas dans des endroits où de l'eau pourrait s'accumuler.

TABLEAU 1

Plaque signalétique : ampères à 120 V	Longueur de la rallonge					
	7,62 m	15,24 m	22,86 m	30,48 m	45,72 m	60,96 m
	Calibre de câble recommandé					
0 à 5	16	16	16	14	12	12
5,1 à 8	16	16	14	12	10	NR
8,1 à 12	14	14	12	10	NR	NR
12,1 à 16	12	12	NR	NR	NR	NR

NR : non recommandé

 **symbole d'alerte de sécurité**

V volts

Hz hertz


A ampères


W watts

 **courant continu**

 **courant alternatif**

 **courant alternatif ou continu**

 **appareil de classe I (mis à la terre)**

 **appareil de classe II (double isolation)**

 **borne de mise à la terre**

min minutes

/min par minute

BPM battements par minute

RPM tours par minute

n_0 vitesse sans charge

Attention

Raccordement de mise à la terre

Fil de phase (chaud) de la source d'alimentation

Fil neutre de la source d'alimentation

⚠ Avertissement : Cet article peut vous exposer à des produits chimiques, notamment au plomb, une substance reconnue par l'État de la Californie comme étant la cause de cancers, d'anomalies congénitales ou de problèmes liés aux fonctions reproductrices. Pour plus de renseignements, rendez-vous au www.P65Warnings.ca.gov.

⚠ Avertissement : Le perçage, le sciage, le ponçage et l'usinage des produits en bois peuvent vous exposer à de la poussière de bois, une substance reconnue par l'État de la Californie comme étant la cause de cancers. Évitez d'inhaler la poussière de bois ou utilisez un masque antipoussière ou d'autres mesures de sécurité pour vous protéger. Pour plus de renseignements, rendez-vous au www.P65Warnings.ca.gov/wood.

SCHÉMA DES PIÈCES DU MODÈLE ÉLECTRIQUE DK1100 FE

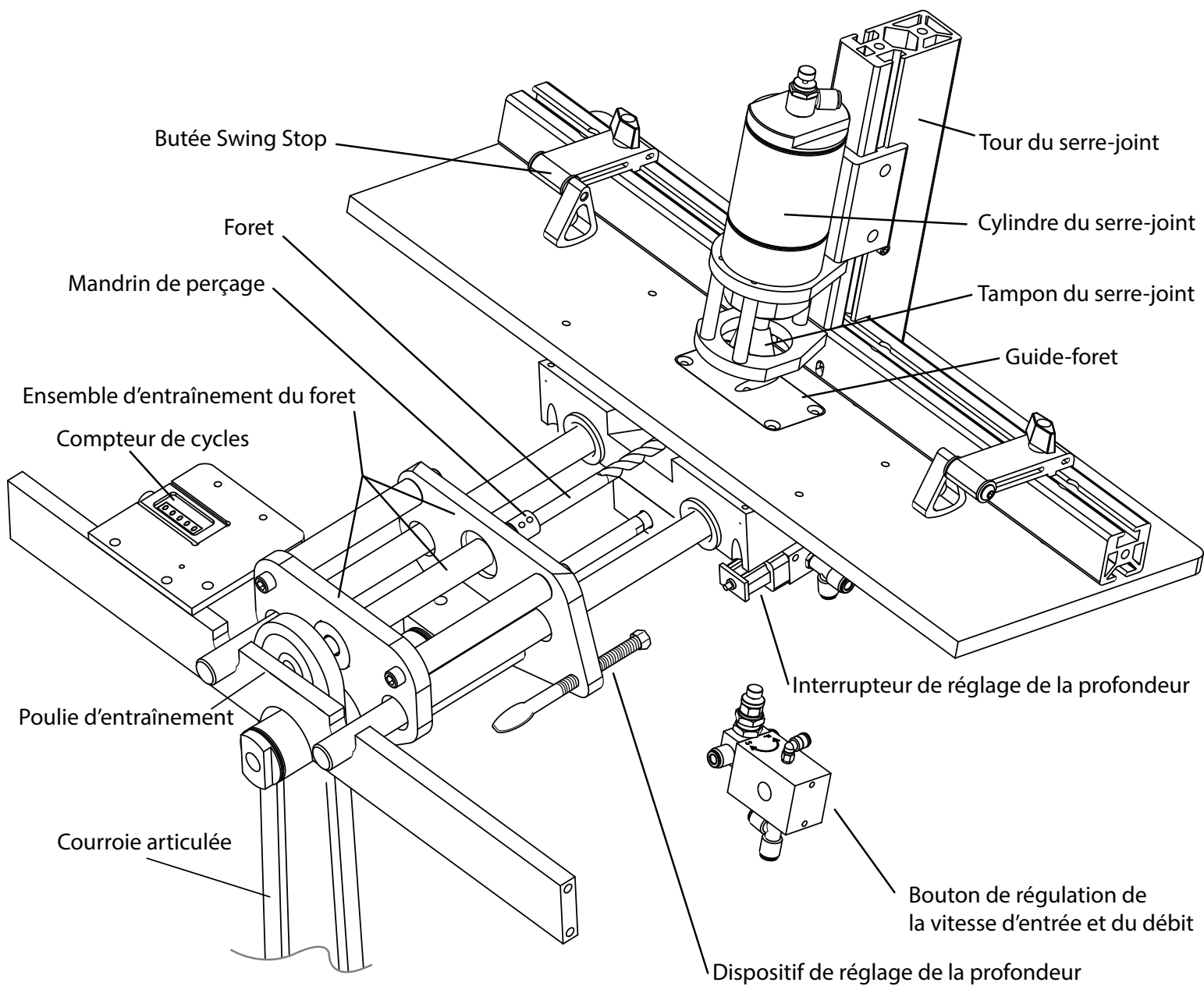
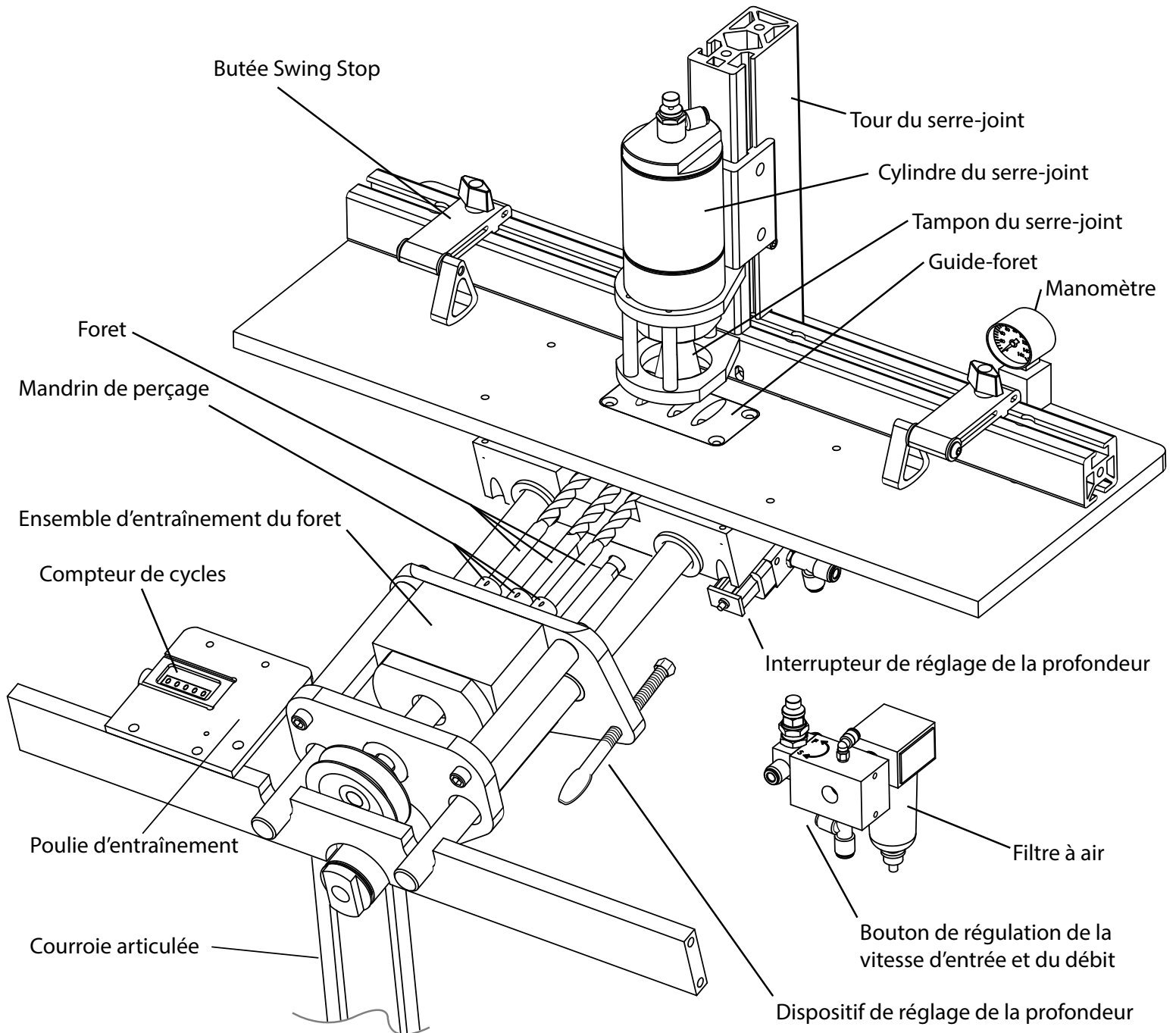


SCHÉMA DES PIÈCES DU MODÈLE ÉLECTRIQUE DK3100 FE

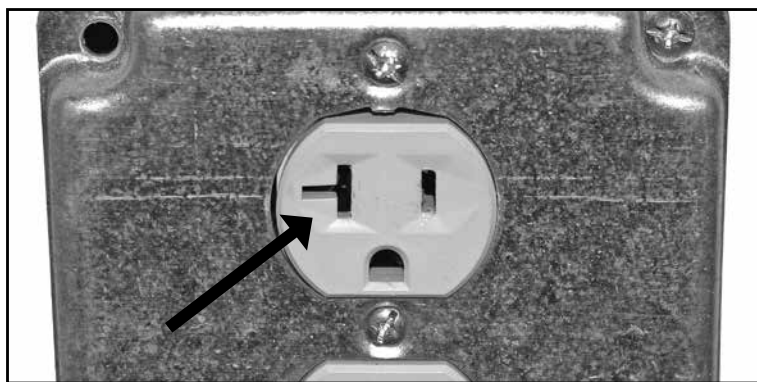


DK1100 FE/DK3100

Exigences relatives à l'appareil

Ces appareils nécessitent un circuit électrique de 20 A. Afin de diminuer les risques d'incendie, utilisez seulement cet appareil en le branchant sur une prise de 20 A convenablement câblée, différenciable grâce à une encoche horizontale dans l'ouverture gauche de la prise, comme le montre l'illustration. Toutes les réparations électriques de l'appareil doivent être effectuées par un électricien ou un technicien qualifié. N'utilisez qu'une rallonge trifilaire munie d'une fiche de mise à la terre à 3 broches et d'une prise tripolaire qui correspond à la fiche de l'outil.

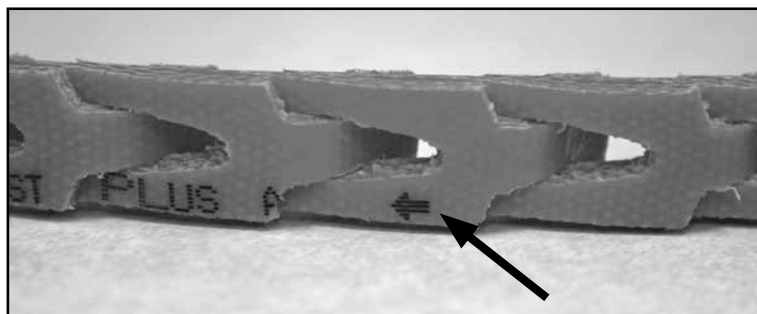
ATTENTION Pression d'air recommandée pour les modèles électriques : 90 lb/po² [621 kPa].



Prise de 20 A nécessaire

Tension de la courroie

Ces appareils sont munis d'une courroie articulée conçue pour fonctionner dans une seule direction. Les flèches noires situées sur la courroie indiquent le sens de rotation approprié. Du point de vue de l'utilisateur, la courroie du modèle DK1100 FE tourne dans le sens des aiguilles d'une montre. La courroie du modèle DK3100 tourne dans le sens contraire des aiguilles d'une montre. Assouplissez la courroie avant de l'utiliser en l'installant et en laissant l'appareil tourner au ralenti pendant cinq minutes, sans percer. Tendez ensuite la courroie de façon à ce qu'elle soit bien serrée.

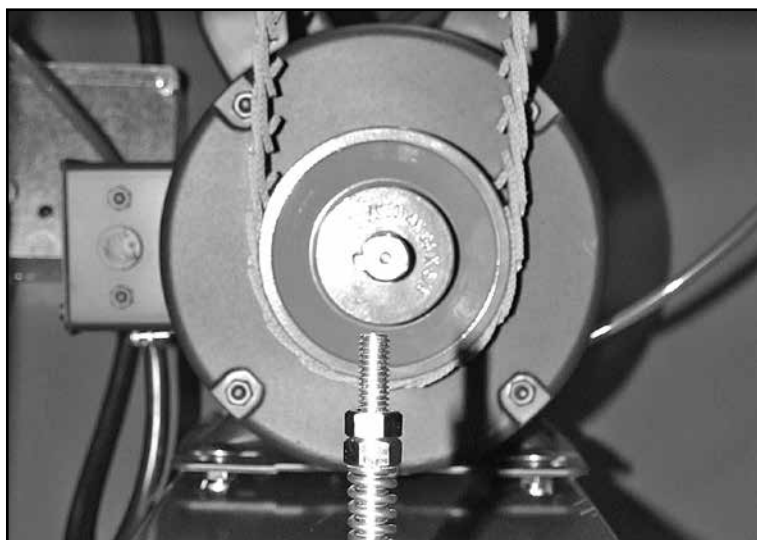


Disposition de la courroie du modèle 3100 illustrée (dans le sens contraire des aiguilles d'une montre).

- (1) Desserrez l'écrou supérieur sur la tige de réglage de la tension.
- (2) Serrez l'écrou inférieur en l'appuyant contre les ressorts pour augmenter la tension de la courroie.
- (3) Serrez l'écrou supérieur en l'appuyant sur l'écrou inférieur.

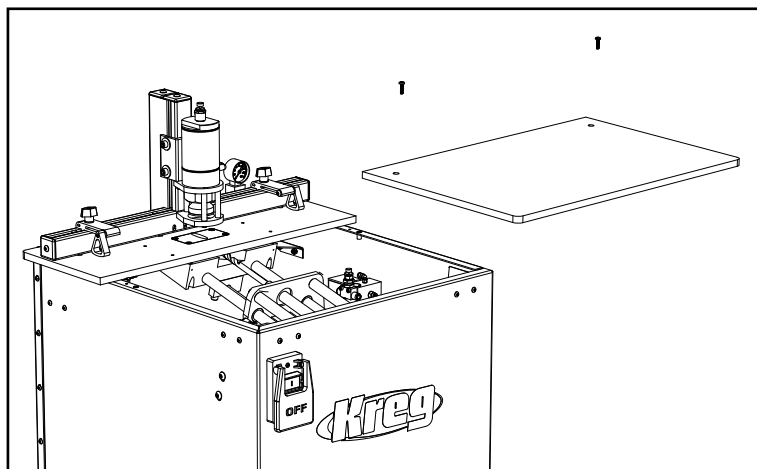
ATTENTION Une tension appropriée de la courroie maximise l'efficacité du perçage. Vérifiez la tension de la courroie au moins une fois par jour pendant la première semaine de fonctionnement et resserrez-la au besoin. Après la période d'adaptation, vérifiez la tension de la courroie une fois par semaine.

AVERTISSEMENT : Débranchez l'appareil de la source d'air et de l'alimentation électrique avant d'ajuster la tension de la courroie. Actionnez plusieurs fois l'appareil à l'aide de l'interrupteur au pied pour évacuer tout l'air du système.



Fixation du plateau en acrylique

Placez le plateau en acrylique sur l'armoire et fixez-le à l'aide de deux vis de verrouillage et de la clé hexagonale de 1/8 po fournie.

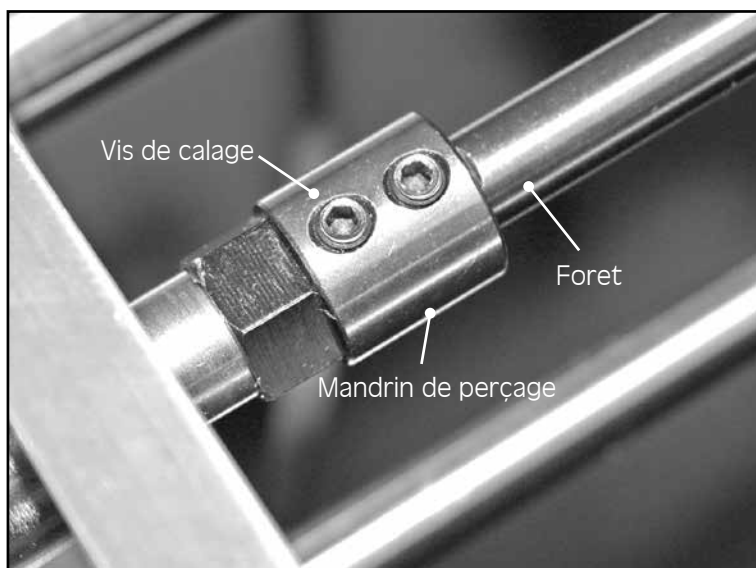


Changement des forets

Vous pouvez percer entre 4 000 et 5 000 trous dans du chêne avant de devoir aiguiser un foret DKDB. Cette moyenne a été établie selon les réglages par défaut pour la régulation de la vitesse d'entrée indiqués dans le présent manuel. Planifiez votre horaire d'aiguisage en fonction de vos réglages et des matériaux que vous percez.

AVERTISSEMENT : Débranchez l'appareil de la source d'air et de l'alimentation électrique avant de changer le foret. Actionnez plusieurs fois l'appareil à l'aide de l'interrupteur au pied pour évacuer tout l'air du système.

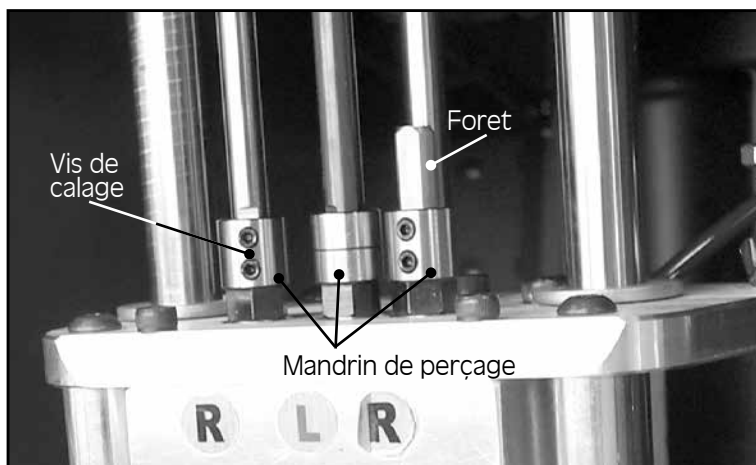
- (1) Retirez le plateau en acrylique.
- (2) Desserrez les deux vis de calage du mandrin de perçage à l'aide de la clé hexagonale fournie.
- (3) Faites glisser le foret hors du mandrin et placez-le dans le guide-foret jusqu'à ce que l'extrémité du foret dépasse du mandrin. Inclinez légèrement le foret pour éviter le mandrin, puis retirez le foret du guide-foret.
- (4) Insérez un foret neuf ou réaffûté dans le mandrin de perçage en alignant le méplat de la queue du foret aux vis de calage du mandrin.
- (5) Serrez les vis de calage.
- (6) Remettez le compteur à zéro pour faire le suivi de la durée de vie du foret.



Espacement des trous (modèle DK3100 seulement)

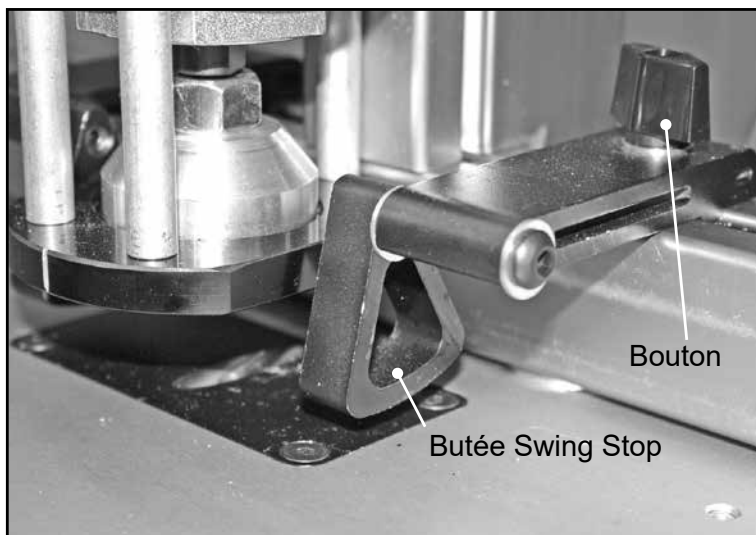
Le modèle DK3100 permet de percer un seul ou deux trous à angle en même temps. La tête à 3 mandrins permet un espacement centre à centre de 19,05 mm [$\frac{3}{4}$ po] (mandrins du centre et de droite), de 25,4 mm [1 po] (mandrins de gauche et du centre) ou de 44,45 mm [$1 \frac{3}{4}$ po] (mandrins de gauche et de droite) entre deux trous.

ATTENTION Le mandrin central de perçage tourne vers la gauche et fonctionne seulement avec un foret à gauche, différenciable par sa couleur gris foncé.



Butées Swing Stop

Deux butées vous permettent de percer des trous à angle au même endroit sur différentes pièces. Lorsque vous n'utilisez pas les butées, vous pouvez les faire pivoter pour dégager l'espace, ce qui vous permet de faire glisser la pièce à travailler sous celles-ci et de l'appuyer sur le guide. Pour changer l'emplacement de la butée pivotante, desserrez le bouton, déplacez la butée jusqu'à sa nouvelle position, puis serrez le bouton.

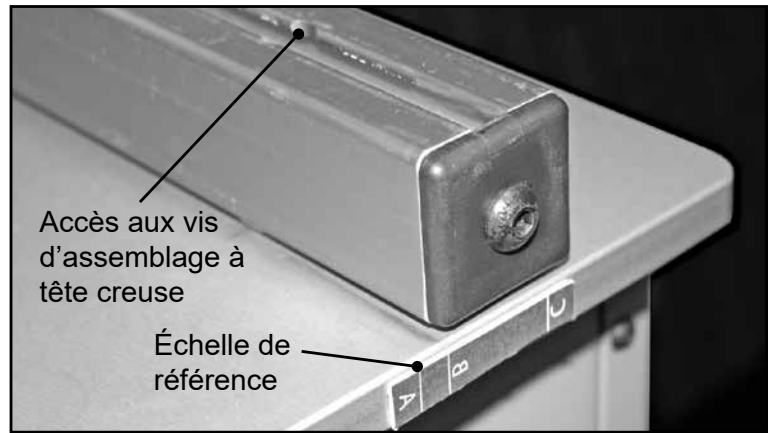


Réglages du guide pour l'épaisseur du matériau

Le guide doit être positionné de façon à ce que la vis pour perçage à angle sorte au centre de l'épaisseur du matériau. Lors du réglage du guide, assurez-vous qu'il reste parallèle au bord avant du guide-foret.

- (1) Desserrez les quatre vis à tête creuse situées dans la fente sur la partie supérieure du guide.
- (2) Alignez la surface du guide aux échelles de lettres inscrites sur les bords de la plaque de base et qui correspondent à l'épaisseur du matériau.
- (3) Serrez les vis à tête creuse.

Réglage A pour un matériau d'une épaisseur de 12,7 mm [$\frac{1}{2}$ po]
 Réglage B pour un matériau d'une épaisseur de 19,05 mm [$\frac{3}{4}$ po]
 Réglage C pour un matériau d'une épaisseur de 38,1 mm [1 $\frac{1}{2}$ po]



Butée de profondeur de perçage

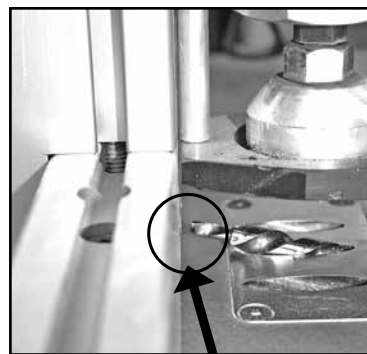
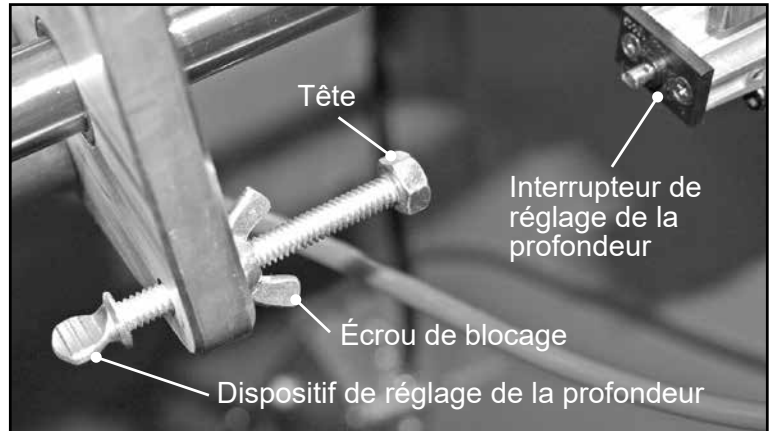
La butée de profondeur de perçage contrôle la trajectoire avant du foret et le cycle du cylindre d'avance du foret. Lorsque la butée de profondeur entre en contact avec l'interrupteur de réglage de la profondeur, la trajectoire avant du foret s'arrête et s'inverse, complétant ainsi le cycle de perçage.

⚠ AVERTISSEMENT : Débranchez l'appareil de la source d'air et de l'alimentation électrique avant de régler la butée de profondeur de perçage. Actionnez plusieurs fois l'appareil à l'aide de l'interrupteur au pied pour évacuer tout l'air du système.

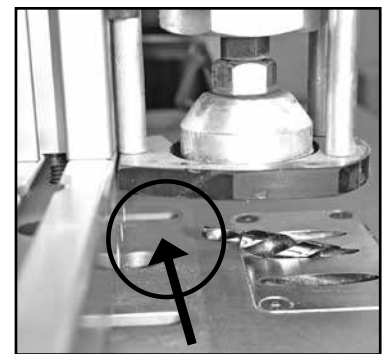
- (1) Desserrez l'écrou à oreilles.
- (2) Poussez l'ensemble d'entraînement du foret vers l'avant pour obtenir les dégagements suivants entre la pointe du foret et le guide :
 Matériau d'une épaisseur de 12,7 mm [$\frac{1}{2}$ po] ou de 19,05 mm [$\frac{3}{4}$ po] :
 dégagement de 3,17 mm [$\frac{1}{8}$ po] Matériau d'une épaisseur de 38,1 mm [1 $\frac{1}{2}$ po] :
 dégagement de 25,4 mm [1 po]

- (3) Réglez le dispositif de réglage de la profondeur jusqu'à ce que la tête enfonce complètement le poussoir de l'interrupteur de réglage de la profondeur.
- (4) Vissez l'écrou de blocage.
- (5) Tirez l'ensemble d'entraînement du foret vers l'arrière jusqu'à ce qu'il s'immobilise.

⚠ ATTENTION L'affûtage d'un foret le rend plus court. Lorsque vous installez un foret affûté, vous devez réajuster la profondeur de perçage.



Réglage pour des matériaux d'une épaisseur de 12,7 mm ou de 19,05 mm illustré.



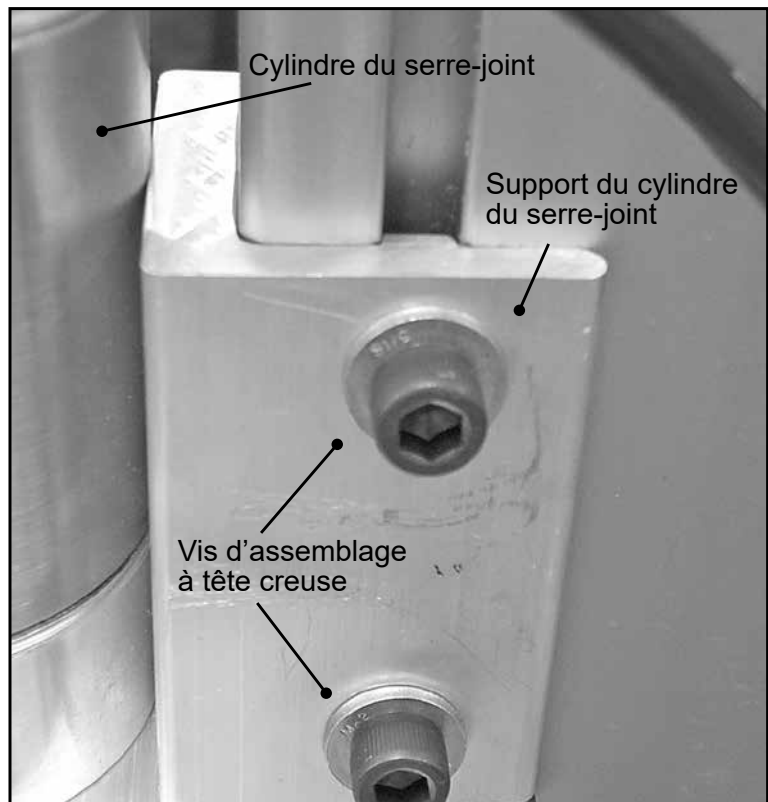
Réglage pour des matériaux d'une épaisseur de 38,1 mm illustré.

Hauteur du cylindre du serre-joint

Le réglage par défaut de la hauteur du cylindre convient à des matériaux d'une épaisseur entre 12,7 mm et 19,05 mm [$\frac{1}{2}$ po et $\frac{3}{4}$ po].

⚠ Avertissement : Débranchez l'appareil de la source d'air et de l'alimentation électrique avant de régler la butée de profondeur de perçage. Actionnez plusieurs fois l'appareil à l'aide de l'interrupteur au pied pour évacuer tout l'air du système.

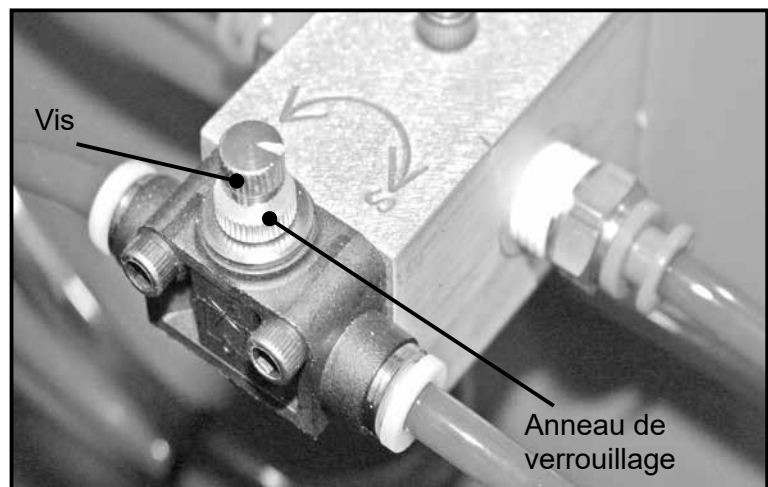
- (1) Desserrez les deux vis à tête creuse situées de chaque côté du support du cylindre du serre-joint.
- (2) Réglez le cylindre du serre-joint de façon à ce que vous puissiez faire glisser la pièce sous le tampon du serre-joint.
- (3) Serrez les vis à tête creuse.



Vitesse d'entrée

Le bouton de régulation de la vitesse d'entrée contrôle la vitesse à laquelle le foret s'enfonce dans le matériau. Le réglage par défaut optimise la durée de vie du foret. Le bouton peut être réglé lorsqu'une vitesse d'entrée plus rapide ou plus lente est désirée. Il est recommandé que seuls des utilisateurs expérimentés qui percent fréquemment des matériaux d'un même type et d'une même épaisseur effectuent des réglages.

- (1) Desserrez l'anneau de verrouillage et tournez la vis dans le sens désiré pour modifier la vitesse d'entrée, soit vers " F " pour une vitesse plus rapide et vers " S " pour une vitesse plus lente. Une petite rotation entraîne une modification importante de la vitesse d'entrée.
 - (2) Serrez l'anneau de verrouillage.
- Pour rétablir les réglages par défaut après avoir modifié la vitesse d'entrée :
- (1) Desserrez l'anneau de verrouillage.
 - (2) Tournez la vis dans le sens des aiguilles d'une montre jusqu'à ce qu'elle se bloque.
 - (3) Tournez la vis dans le sens contraire des aiguilles d'une montre jusqu'à ce qu'elle ait effectué quatre tours complets pour le modèle DK1100 FE et trois tours complets pour le modèle DK3100.
 - (4) Serrez l'anneau de verrouillage.



Durée de serrage

La commande de durée de serrage règle la durée pendant laquelle la pince pneumatique s'enfonce dans le matériau avant, pendant et après le perçage.

- (1) Desserrez l'anneau de verrouillage.
- (2) Tournez la vis dans le sens des aiguilles d'une montre pour augmenter le temps de serrage, et dans le sens contraire des aiguilles d'une montre pour diminuer le temps de serrage.
- (3) Serrez l'anneau de verrouillage.

⚠ ATTENTION Si la pièce se soulève du guide-foret pendant le perçage, la hauteur du cylindre du serre-joint, la durée de serrage ou les deux doivent être réglés.

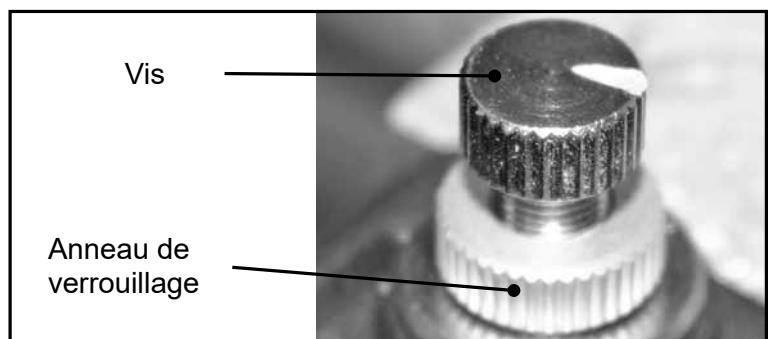
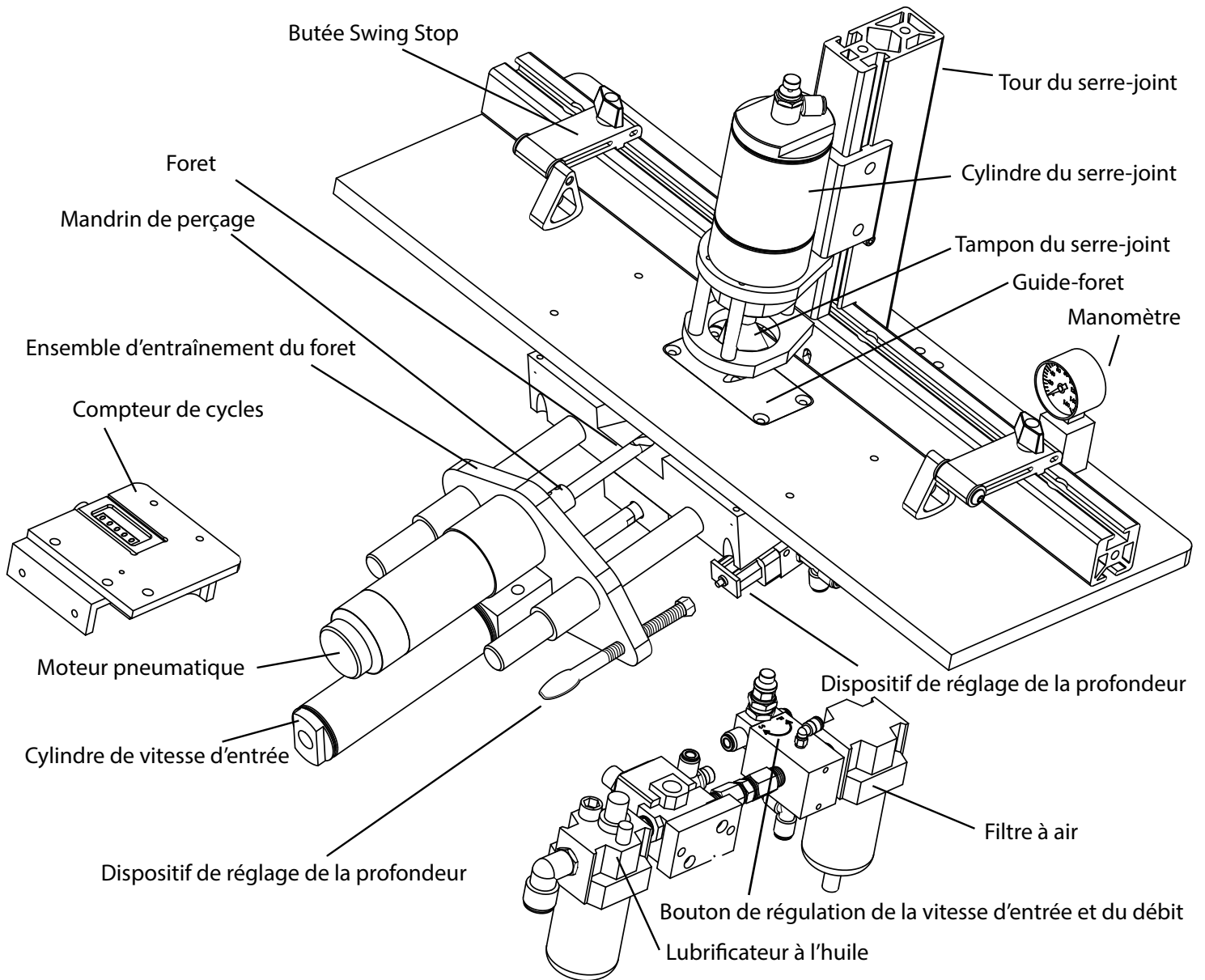


SCHÉMA DES PIÈCES DES MODÈLES DK1100 FP/TP



DK1100 FP/TP

Exigences relatives à l'appareil

Afin que votre compresseur d'air puisse fournir une alimentation en air adéquate à ces appareils entièrement pneumatiques, ceux-ci sont munis de raccords à débit élevé de 9,52 mm [3/8 po]. Utilisez-les sur un système muni d'un tuyau de 12,7 mm [1/2 po] ou plus grand et raccordez-y l'appareil à l'aide d'un tuyau de 9,52 mm [3/8 po]. Un tuyau ou un connecteur d'un plus petit diamètre pourrait restreindre le débit d'air et ainsi réduire l'efficacité de l'appareil. Utilisez le tuyau le plus court possible afin que la distance entre votre compresseur d'air et l'appareil soit la plus courte possible.

ATTENTION Pression d'air recommandée pour les modèles pneumatiques : 120 lb/po² [827 kPa].

Si vous utilisez votre perceuse pneumatique quotidiennement, lubrifiez-la au moins une fois par mois à l'aide d'un pistolet graisseur et du godet de graissage à pointe d'aiguille inclus avec l'appareil. Kreg recommande l'utilisation de deux pompes de graisse tout usage pression extrême Moly-Graph® de Sta-Lube (Fastenal, 1 800 272-8963, www.fastenal.com) ou d'un équivalent.

Avertissement : Débranchez la perceuse de la source d'air avant de la lubrifier. Actionnez plusieurs fois l'appareil à l'aide de l'interrupteur au pied pour évacuer tout l'air du système.

Fixation du plateau en acrylique

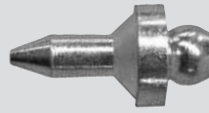
Placez le plateau en acrylique sur l'armoire et fixez-le à l'aide de deux vis de verrouillage et de la clé hexagonale de 1/8 po fournie.

Changement des forets

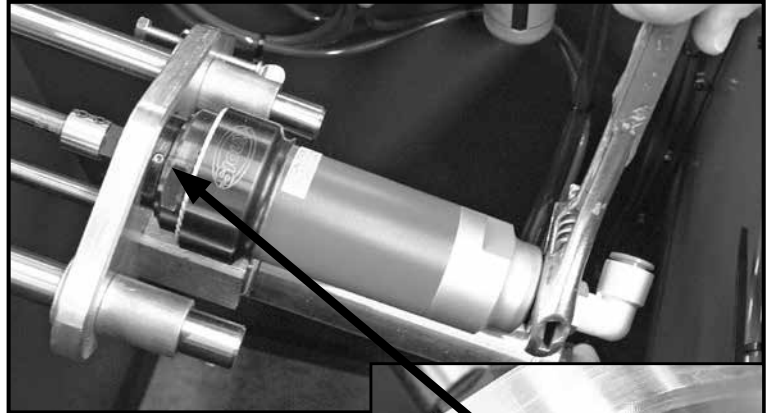
Vous pouvez percer entre 4 000 et 5 000 trous dans du chêne avant de devoir aiguiser un foret DKDB. Cette moyenne a été établie selon les réglages par défaut pour la régulation de la vitesse d'entrée indiqués dans le présent manuel. Planifiez votre horaire d'aiguisage en fonction de vos réglages et des matériaux que vous percez.

Avertissement : Débranchez l'appareil de la source d'air avant de changer le foret. Actionnez plusieurs fois l'appareil à l'aide de l'interrupteur au pied pour évacuer tout l'air du système.

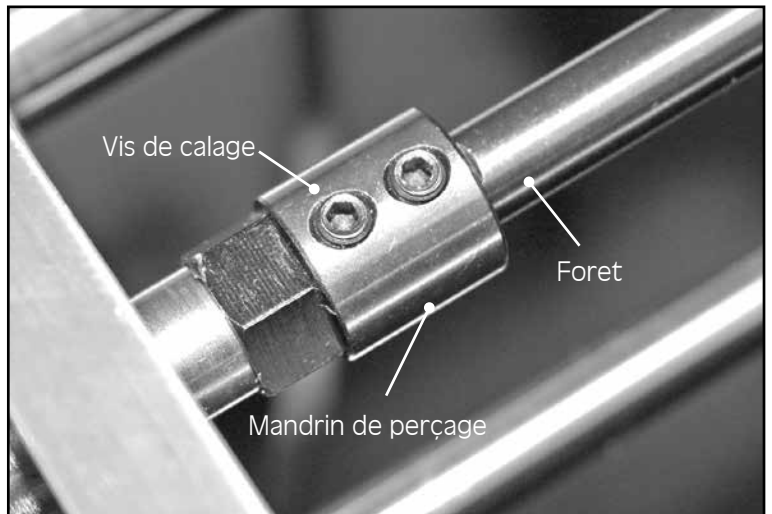
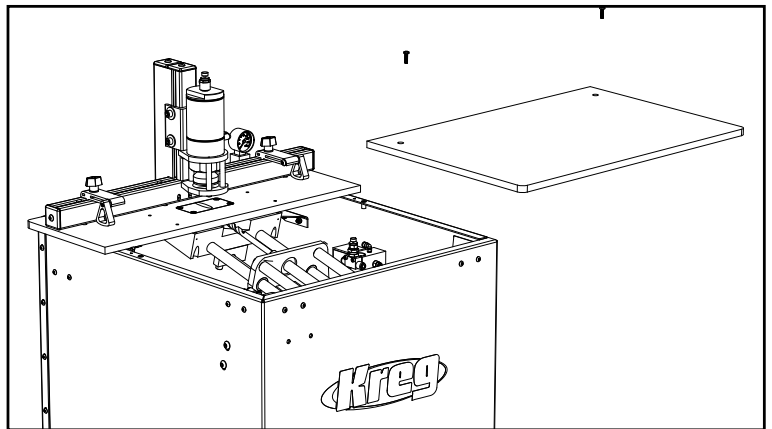
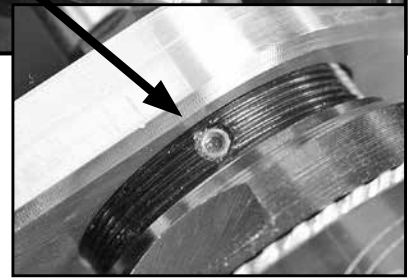
- (1) Retirez le plateau en acrylique.
- (2) Desserrez les deux vis de calage du mandrin de perçage à l'aide de la clé hexagonale fournie.
- (3) Faites glisser le foret hors du mandrin et placez-le dans le guide-foret jusqu'à ce que l'extrémité du foret dépasse du mandrin. Inclinez légèrement le foret pour éviter le mandrin, puis retirez le foret du guide-foret.
- (4) Insérez un foret neuf ou réaffûté dans le mandrin de perçage en alignant le méplat de la queue du foret aux vis de calage du mandrin.
- (5) Serrez les vis de calage.
- (6) Remettez le compteur à zéro pour faire le suivi de la durée de vie du foret.



GODET DE GRAISSAGE INCLUS AVEC L'APPAREIL

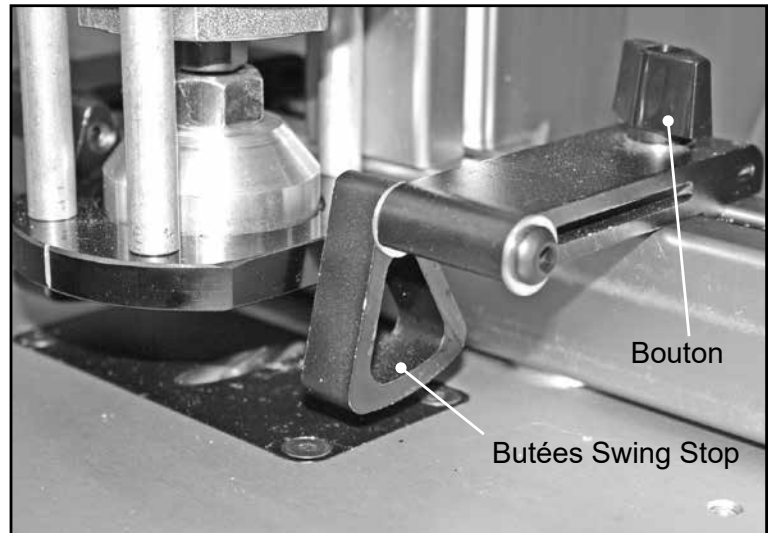


Il est possible que vous ayez à faire pivoter la perceuse pour accéder au port de graissage. Utilisez une clé pour faire pivoter le raccord noir situé à l'arrière de la perceuse dans le sens des aiguilles d'une montre.



Butées Swing Stop

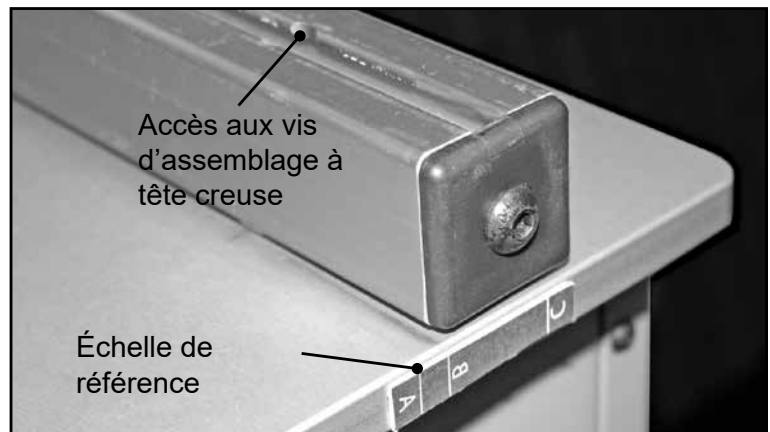
Deux butées vous permettent de percer des trous à angle au même endroit sur différentes pièces. Lorsque vous n'utilisez pas les butées, vous pouvez les faire pivoter pour dégager l'espace, ce qui vous permet de faire glisser la pièce à travailler sous celles-ci et de l'appuyer sur le guide. Pour changer l'emplacement de la butée pivotante, desserrez le bouton, déplacez la butée jusqu'à sa nouvelle position, puis serrez le bouton.



Réglages du guide pour l'épaisseur du matériau

Le guide doit être positionné de façon à ce que la vis pour perçage à angle sorte au centre de l'épaisseur du matériau. Lors du réglage du guide, assurez-vous qu'il reste parallèle au bord avant du guide-foret.

- (1) Desserrez les quatre vis à tête creuse situées dans la fente sur la partie supérieure du guide.
- (2) Alignez la surface du guide aux échelles de lettres inscrites sur les bords de la plaque de base et qui correspondent à l'épaisseur du matériau.
- (3) Serrez les vis à tête creuse.



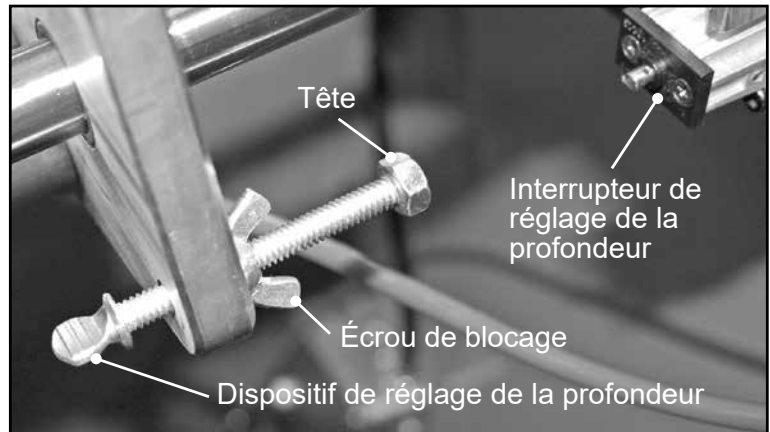
Réglage A pour un matériau d'une épaisseur de 12,7 mm [$\frac{1}{2}$ po]
 Réglage B pour un matériau d'une épaisseur de 19,05 mm [$\frac{3}{4}$ po]
 Réglage C pour un matériau d'une épaisseur de 38,1 mm [1 $\frac{1}{2}$ po]

Butée de profondeur de perçage

La butée de profondeur de perçage contrôle la trajectoire avant du foret et le cycle du cylindre d'avance du foret. Lorsque la butée de profondeur entre en contact avec l'interrupteur de réglage de la profondeur, la trajectoire avant du foret s'arrête et s'inverse, complétant ainsi le cycle de perçage.

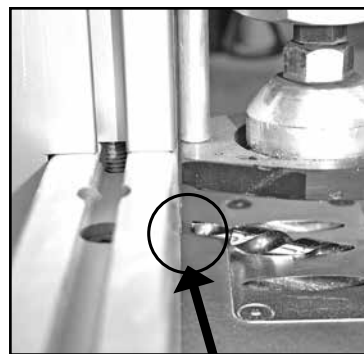
⚠ Avertissement : Débranchez l'appareil de la source d'air avant de changer le foret. Actionnez plusieurs fois l'appareil à l'aide de l'interrupteur au pied pour évacuer tout l'air du système.

- (1) Desserrez l'écrou à oreilles.
- (2) Poussez l'ensemble d'entraînement du foret vers l'avant pour obtenir les dégagements suivants entre la pointe du foret et le guide :
 Matériau d'une épaisseur de 12,7 mm [$\frac{1}{2}$ po] ou de 19,05 mm [$\frac{3}{4}$ po] : dégagement de 3,17 mm [$\frac{1}{8}$ po]
 Matériau d'une épaisseur de 38,1 mm [1 $\frac{1}{2}$ po] : dégagement de 25,4 mm [1 po]

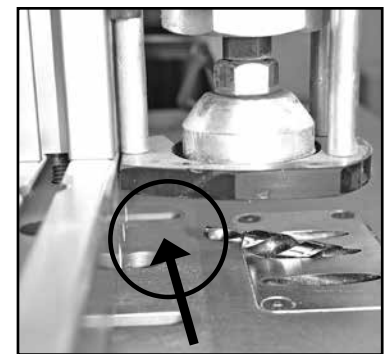


- (3) Réglez le dispositif de réglage de la profondeur jusqu'à ce que la tête enfonce complètement le poussoir de l'interrupteur de réglage de la profondeur.
- (4) Vissez l'écrou de blocage.
- (5) Tirez l'ensemble d'entraînement du foret vers l'arrière jusqu'à ce qu'il s'immobilise.

⚠ ATTENTION Sharpening a drill bit makes it shorter. When installing a sharpened bit, readjust the drilling depth.



Réglage pour des matériaux d'une épaisseur de 12,7 mm ou de 19,05 mm illustré.



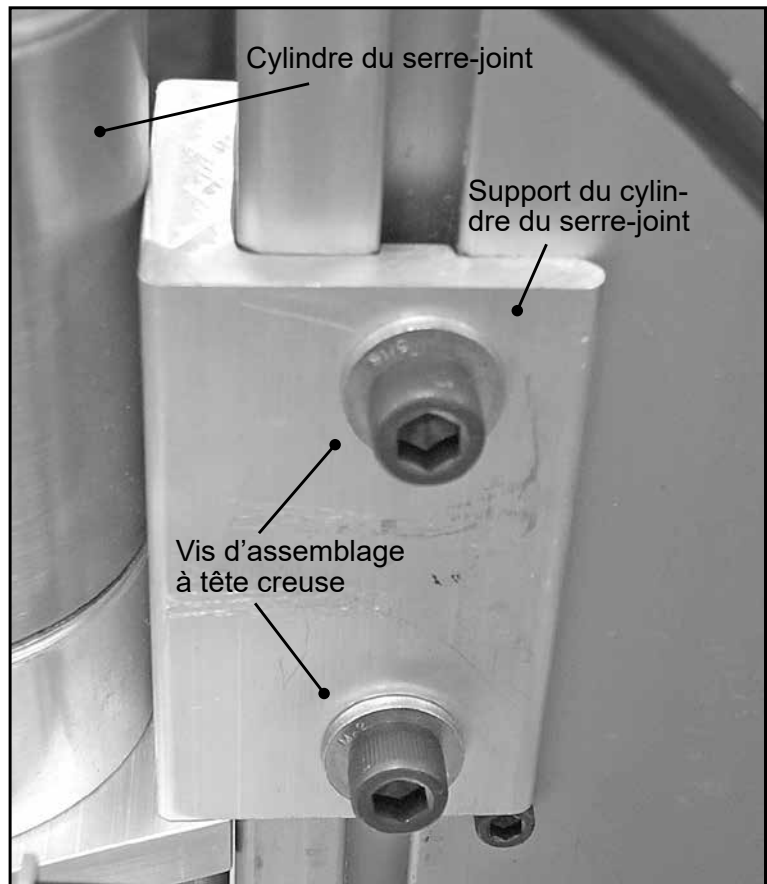
Réglage pour des matériaux d'une épaisseur de 38,1 mm illustré.

Hauteur du cylindre du serre-joint

Le réglage par défaut de la hauteur du cylindre convient à des matériaux d'une épaisseur entre 12,7 mm et 19,05 mm [$\frac{1}{2}$ po et $\frac{3}{4}$ po].

⚠ Avertissement : Débranchez l'appareil de la source d'air et de l'alimentation électrique avant de régler la butée de profondeur de perçage. Actionnez plusieurs fois l'appareil à l'aide de l'interrupteur au pied pour évacuer tout l'air du système.

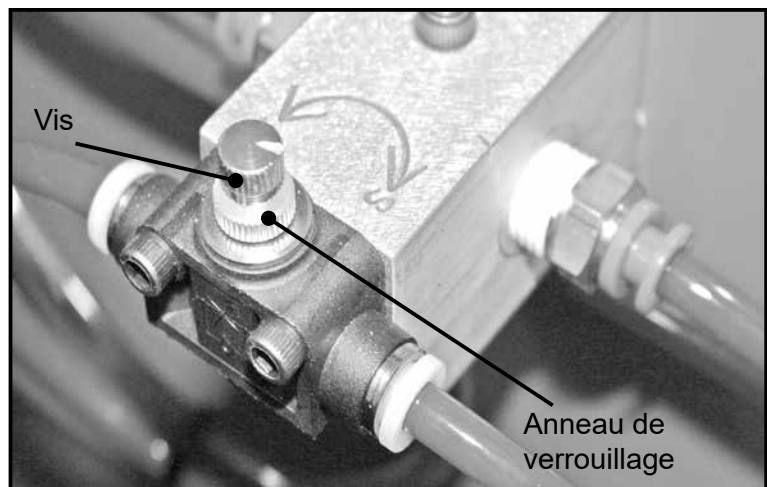
- (1) Desserrez les deux vis à tête creuse situées de chaque côté du support du cylindre du serre-joint.
- (2) Réglez le cylindre du serre-joint de façon à ce que vous puissiez faire glisser la pièce sous le tampon du serre-joint.
- (3) Serrez les vis à tête creuse.



Vitesse d'entrée

Le bouton de régulation de la vitesse d'entrée contrôle la vitesse à laquelle le foret s'enfonce dans le matériau. Le réglage par défaut optimise la durée de vie du foret. Le bouton peut être réglé lorsqu'une vitesse d'entrée plus rapide ou plus lente est désirée. Il est recommandé que seuls des utilisateurs expérimentés qui percent fréquemment des matériaux d'un même type et d'une même épaisseur effectuent des réglages.

- (1) Desserrez l'anneau de verrouillage et tournez la vis dans le sens désiré pour modifier la vitesse d'entrée, soit vers " F " pour une vitesse plus rapide et vers " S " pour une vitesse plus lente. Une petite rotation entraîne une modification importante de la vitesse d'entrée.
- (2) Serrez l'anneau de verrouillage. Pour rétablir les réglages par défaut après avoir modifié la vitesse d'entrée :
 - (1) Desserrez l'anneau de verrouillage.
 - (2) Tournez la vis dans le sens des aiguilles d'une montre jusqu'à ce qu'elle se bloque.
 - (3) Tournez la vis dans le sens contraire des aiguilles d'une montre jusqu'à ce qu'elle ait effectué quatre tours complets pour le modèle DK1100 FE et trois tours complets pour le modèle DK3100.
 - (4) Serrez l'anneau de verrouillage.

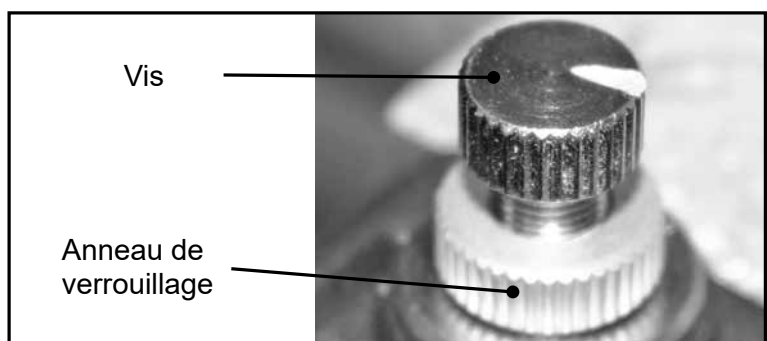


Durée de serrage

La commande de durée de serrage règle la durée pendant laquelle la pince pneumatique s'enfonce dans le matériau avant, pendant et après le perçage.

- (1) Desserrez l'anneau de verrouillage.
- (2) Tournez la vis dans le sens des aiguilles d'une montre pour augmenter le temps de serrage, et dans le sens contraire des aiguilles d'une montre pour diminuer le temps de serrage.
- (3) Serrez l'anneau de verrouillage.

⚠ ATTENTION Si la pièce se soulève du guide-foret pendant le perçage, la hauteur du cylindre du serre-joint, la durée de serrage ou les deux doivent être réglés.



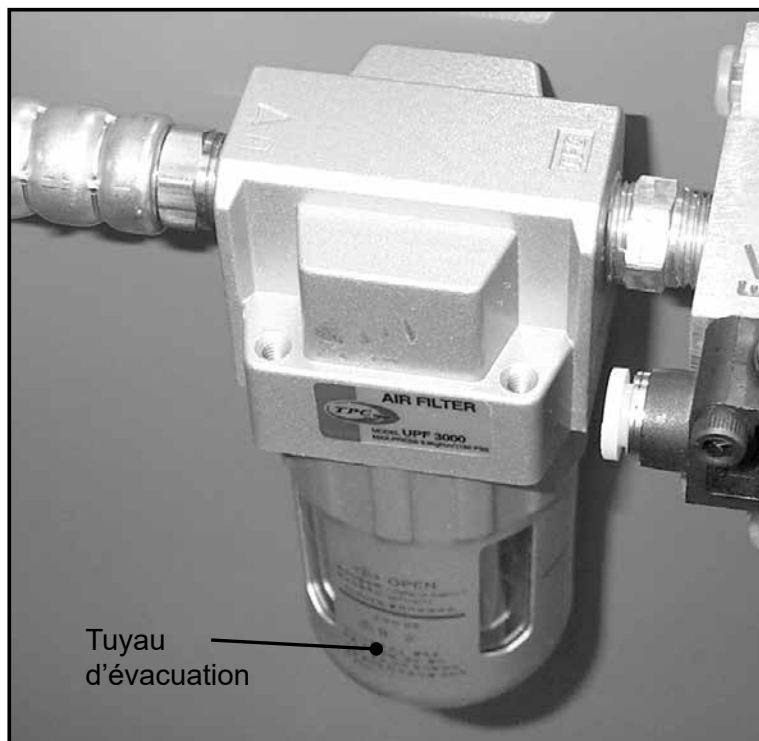
DK1100 FP/TP

Filtre du système à air

Le filtre du système à air assure l'alimentation en air comprimé propre et sans humidité de l'appareil; il doit être vidangé périodiquement.

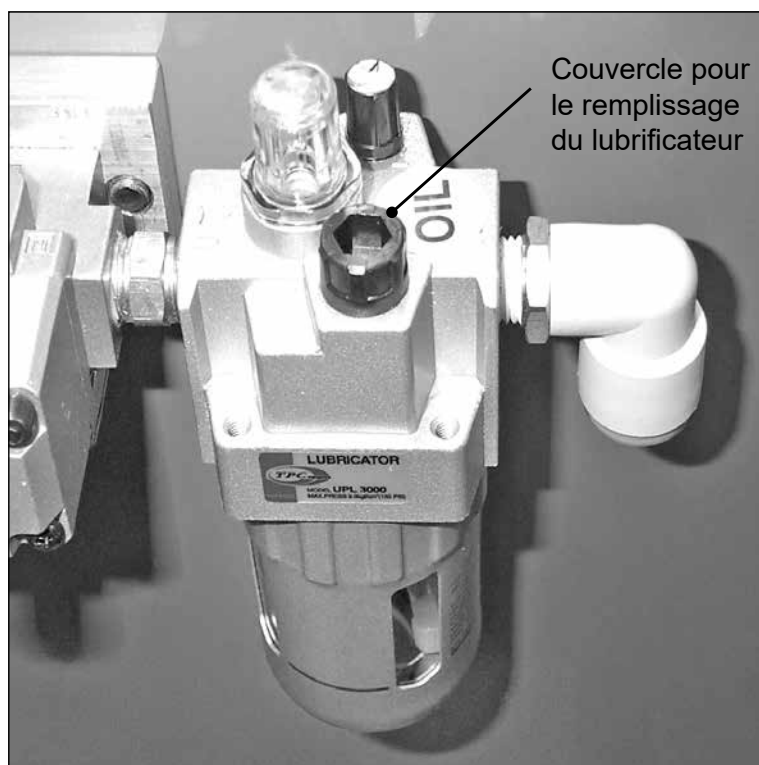
- (1) Poussez le robinet de vidange vers le haut, vers le réservoir, ou sur le côté.
- (2) Laissez la pression d'air du système éjecter le liquide accumulé.
- (3) Relâchez le robinet de vidange.

⚠ Avertissement : Débranchez l'appareil de la source d'air et de l'alimentation électrique avant de régler la butée de profondeur de perçage. Actionnez plusieurs fois l'appareil à l'aide de l'interrupteur au pied pour évacuer tout l'air du système.



Lubrificateur du système à air

Le lubrificateur du système à air est rempli d'huile pour moteur pneumatique et assure une lubrification adéquate du moteur pneumatique. L'ouverture du lubrificateur est réglé par défaut à ½ tour. Vérifiez régulièrement le niveau d'huile, et remplissez le réservoir avec de l'huile à moteur pneumatique semblable à celle fournie. L'utilisation normale de l'appareil entraîne la formation d'un mince film d'huile sous le plateau, à l'endroit où se situe l'échappement du moteur pneumatique.



⚠ AVERTISSEMENT : Before filling the lubricator, disconnect the machine from the air supply. Cycle the machine via the foot switch several times to remove air from the system.

GARANTIE

APPAREILS POUR PERÇAGE À ANGLE ENTièrement AUTOMATIQUES DE LA SÉRIE DK

Ne retournez pas l'appareil au détaillant pour le service au titre de la garantie. Pour tout problème relatif à la garantie, communiquez avec le service à la clientèle de Kreg Tool Company à l'adresse ou au numéro de téléphone mentionnés ci-dessous.

Kreg Tool Company garantit aux distributeurs autorisés de produits Kreg et aux acheteurs initiaux que les appareils pour perçage à angle DK1100 et DK3100 seront exempts de tout défaut de matériaux ou de fabrication pendant une période de cinq ans à compter de la date de livraison à l'acheteur initial. Le moteur et les autres pièces de l'appareil sont couverts par une garantie de un (1) an à compter de la date de livraison à l'acheteur initial. Le guide-foret est couvert par une garantie à vie.

Durant la période de garantie, Kreg réparera ou remplacera tout produit ou toute pièce jugés défectueux à sa discrétion. La présente garantie s'applique uniquement aux produits utilisés de manière adéquate et conformément aux procédures d'entretien et de sécurité indiquées dans les catalogues et les guides fournis par Kreg Tool Company.

Cette garantie ne couvre pas (1) les articles qui seraient usés ou qui devraient être remplacés à cause de leur usure normale (forets, lubrifiants, etc.); (2) le coût de retrait des composants si ce celui-ci est autorisé par Kreg Tool Company; (3) l'expédition au centre de services de Kreg Tool Company; ou (4) la réinstallation de composants.

La présente garantie est valide seulement si la carte de la garantie incluse avec le produit ou le formulaire en ligne (sur le site www.kregtool.com) ont été dûment remplis et retournés à Kreg Tool Company dans les dix (10) jours suivant la date de livraison à l'acheteur initial.

La présente garantie est nulle et non avenue si le produit (1) a fait l'objet d'un usage inapproprié ou abusif, d'un entretien ou d'un entreposage inadéquat; (2) a été négligé ou endommagé, a subi un accident ou a été soumis à toute autre circonstance indépendante de la volonté de Kreg Tool Company; et (3) a été modifié, démonté, manipulé, transformé ou réparé ailleurs qu'à l'usine de Kreg Tool Company ou d'une façon non autorisée par Kreg Tool Company. Cette garantie ne couvre pas (1) tout produit sur lequel ne figure pas le numéro de série original; (2) les acheteurs non initiaux; et (3) l'usure normale, la corrosion, l'abrasion ni les réparations découlant de causes naturelles ou de cas de force majeure.

Pour effectuer une réclamation au titre de la garantie, communiquez avec le distributeur auprès de qui vous avez acheté l'appareil pour perçage à angle ou communiquez directement avec Kreg Tool Company. Une preuve d'achat est nécessaire pour obtenir une réparation conformément aux conditions de la présente garantie. Kreg Tool Company n'est aucunement responsable des produits retournés sans autorisation préalable. Les obligations de Kreg Tool Company prévues par la présente garantie se limitent exclusivement à la réparation ou

au remplacement des produits jugés défectueux par Kreg Tool Company après avoir été livrés à l'usine de Kreg Tool Company et inspectés par les techniciens de cette dernière. Kreg Tool Company ne peut en aucun cas être tenue responsable des dommages accessoires ou consécutifs découlant des produits défectueux, et la responsabilité de Kreg Tool Company ne peut excéder le prix d'achat payé par l'acheteur initial.

Ce qui précède constitue l'unique garantie de Kreg Tool Company. Toutes les autres garanties prévues par la loi, y compris toute garantie de qualité marchande ou de conformité à un usage particulier, sont limitées, par les présentes, à la durée de cette garantie. Kreg Tool Company n'est pas responsable des pertes, des dommages ni des dépenses découlant, directement ou indirectement, de l'utilisation de ces produits ou de toute autre cause, ni des dommages consécutifs, y compris sans toutefois s'y limiter, la perte de temps, les désagréments et la perte de production. La garantie décrite aux présentes ne peut être modifiée, et aucune autre garantie, qu'elle soit expresse ou implicite, ne peut être offerte par Kreg Tool Company ou en son nom.

Activez votre garantie dans les dix (10) jours suivant la date de livraison.

VEUILLEZ CONSERVER UNE COPIE DE CE FORMULAIRE.

Veillez conserver les renseignements suivants si vous devez effectuer une réclamation au titre de la garantie. Pour avoir un dossier complet, veuillez joindre une copie de la preuve d'achat à ce formulaire.

Date d'achat : ___/___/___

Nom du détaillant : _____

Numéro de série : _____

(numéro de série situé sur le bord avant de la plaque de surface de travail)

INSTRUCCIONES GENERALES DE SEGURIDAD

Guarde estas instrucciones

- 1) seguridad en el área de trabajo
 - a) Mantenga el área de trabajo limpia y bien iluminada. Las áreas oscuras o desordenadas propician los accidentes.
 - b) No use herramientas eléctricas en entornos peligrosos. No utilice herramientas eléctricas en áreas húmedas o mojadas ni las exponga a la lluvia.
 - c) No utilice herramientas eléctricas en atmósferas en las que exista riesgo de explosión, como por ejemplo, en presencia de líquidos inflamables, gases o polvo. Las herramientas eléctricas producen chispas que podrían encender el polvo o humo.
 - d) Mantenga a los niños y transeúntes alejados durante la operación de una herramienta eléctrica. Las distracciones pueden hacerle perder el control.
 - e) Haga que su taller sea a prueba de niños por medio de candados e interruptores maestros, o retirando las llaves de arranque.
- 2) Seguridad eléctrica
 - a) No exponga las herramientas eléctricas a la lluvia o a condiciones de humedad. Si ingresa agua en una herramienta eléctrica, el riesgo de descarga eléctrica aumentará.
 - b) No maltrate el cable. Nunca use el cable para transportar, jalar ni desenchufar la herramienta eléctrica. Mantenga el cable alejado del calor, el aceite, los bordes filosos o las piezas en movimiento. Los cables dañados o enredados aumentan el riesgo de descarga eléctrica.
 - c) Use una extensión eléctrica adecuada y asegúrese de que esté en buen estado. Cuando utilice una extensión eléctrica, asegúrese de utilizar una que sea lo suficientemente resistente como para conducir la corriente que su equipo necesita. Un cable de tamaño menor que el requerido causará una baja en el voltaje de la línea. Esto podría provocar un corte de energía y sobrecalentamiento. En la tabla 1, se muestra el calibre correcto de la extensión eléctrica adecuada que debe utilizar según el largo del cable y el amperaje que figura en la placa de datos. Si tiene dudas, utilice el siguiente calibre más resistente. Mientras más pequeño sea el calibre, se necesitará una mayor resistencia.
- 3) Seguridad personal
 - a) Manténgase alerta, observe lo que hace y actúe con sentido común mientras utiliza una herramienta eléctrica. No utilice una herramienta eléctrica si está cansado o bajo los efectos de drogas, alcohol o medicamentos. Un momento de desatención mientras opera herramientas eléctricas puede provocar lesiones personales graves.
 - b) Use gafas de seguridad en todo momento. Las gafas comunes solamente poseen lentes resistentes a impactos, pero no son gafas de seguridad.
 - c) Utilice un equipo de seguridad. Use una protección o mascarilla antipolvo si se desprende demasiado polvo en la operación de corte. El equipo de seguridad, como mascarillas antipolvo, zapatos de seguridad antideslizantes, casco o protección auditiva, que se usa para crear condiciones apropiada reduce las lesiones personales.
 - d) Evite los arranques accidentales. Asegúrese de que el interruptor esté en la posición de apagado antes de enchufar la herramienta. Si se transportan herramientas eléctricas con el dedo en el interruptor o se enchufan herramientas eléctricas con el interruptor encendido, aumentan las posibilidades de accidentes.
 - e) Retire todas las llaves de ajuste o llaves inglesas antes de encender la herramienta eléctrica. Si se deja una llave inglesa o una llave conectada a una pieza giratoria de la herramienta eléctrica, se podrían producir lesiones personales.
 - f) No se extienda demasiado. Mantenga una postura y un equilibrio adecuados en todo momento. Esto permite un mejor control de la herramienta eléctrica en situaciones inesperadas.
 - g) Asegure las piezas de trabajo. Use abrazaderas o una prensa para sostener la pieza de trabajo cuando sea práctico. Es más seguro que usar las manos y, de este modo, ambas manos quedan libres para operar la herramienta.
 - h) Nunca se pare sobre la máquina. Si la herramienta se voltea o si toca accidentalmente la herramienta de corte, se pueden producir lesiones graves.
 - i) Use ropa adecuada. No use ropa holgada ni joyas. Mantenga el cabello, la ropa y los guantes lejos de las piezas en movimiento. La ropa holgada, las joyas o el cabello largo pueden quedar atrapados en las piezas en movimiento.
 - j) Si se proporcionan dispositivos para la conexión de instalaciones de extracción y recolección de polvo, asegúrese de que se conecten y se usen debidamente. El uso de estos dispositivos puede disminuir los peligros relacionados con el polvo.
- 4) Uso y cuidado de herramientas eléctricas
 - a) Mantenga las protecciones en su lugar y en buenas condiciones de funcionamiento.
 - b) No fuerce la herramienta eléctrica. Utilice la herramienta eléctrica adecuada para su tarea. La herramienta eléctrica adecuada realizará un trabajo más seguro y de mejor calidad al ritmo para el que se diseñó.
 - c) Use la herramienta correcta. No fuerce una herramienta o accesorio para realizar un trabajo para el cual no se diseñó.
 - d) No utilice la herramienta eléctrica si el interruptor no enciende o apaga. Toda herramienta eléctrica que no pueda controlarse con el interruptor es peligrosa y debe repararse.
 - e) Desconecte el enchufe de la fuente de alimentación o la batería de la herramienta eléctrica antes de realizar cualquier ajuste, cambiar accesorios o almacenar herramientas eléctricas. Este tipo de medidas de seguridad preventivas reduce el riesgo de arranques accidentales de la herramienta eléctrica.
 - f) Nunca deje la herramienta en funcionamiento sin supervisión. Apague la herramienta eléctrica. No suelte la herramienta hasta que no se detenga completamente.
 - g) Almacene las herramientas eléctricas que no estén en uso fuera del alcance de los niños y no permita que personas no familiarizadas con la herramienta o estas instrucciones la operen. Las herramientas eléctricas son peligrosas en manos de usuarios sin capacitación.
 - h) Realice mantenimiento a las herramientas eléctricas. Revise si hay desalineación o agarrotamiento de piezas móviles o si están rotas, así como cualquier otra condición que pueda afectar la operación de la herramienta eléctrica. Si se daña la herramienta eléctrica, hágala reparar antes de usarla. Muchos accidentes son producto del mantenimiento incorrecto de las herramientas eléctricas.
 - i) Mantenga las herramientas de corte afiladas y limpias. Las herramientas de corte que se mantienen adecuadamente, con sus bordes de corte afilados, son menos propensas a trabarse y son más fáciles de controlar.
 - j) Utilice la velocidad recomendada para la herramienta de corte o el accesorio y el material de la pieza de trabajo.
 - k) Solo use piezas y accesorios recomendados por el fabricante. Consulte el manual del propietario para conocer los accesorios recomendados. Si usa accesorios incorrectos, se pueden ocasionar lesiones personales.
 - l) Use la herramienta, accesorios, brocas, etc. según estas instrucciones y de la manera adecuada para el tipo particular de herramienta eléctrica, considerando las condiciones de trabajo y el trabajo que se va a realizar. El uso de la herramienta eléctrica en operaciones distintas para las que fue diseñada podría crear una situación de peligro.
- 5) Reparación
 - a) Permita que solo una persona capacitada repare la herramienta eléctrica, utilizando solo piezas de repuesto idénticas. De esta manera, mantendrá la seguridad de la herramienta eléctrica.
- 6) Normas de seguridad adicionales de la máquina de orificios ocultos DK5100 de la serie profesional
 - a) Antes de realizar ajustes o mantenimiento en la máquina, desconéctela del suministro de aire. Haga funcionar el ciclo de la máquina a través del interruptor de pie varias veces para retirar el aire del sistema.
 - b) No opere la máquina sin la placa superior de acrílico instalada de manera segura en su lugar con los tornillos de fijación proporcionados. Si lo hace, aumentan las posibilidades de sufrir lesiones o la muerte.
 - c) Mantenga las manos alejadas de las brocas giratorias y de las abrazaderas de la pieza de trabajo mientras opere la máquina.

INSTRUCCIONES GENERALES DE SEGURIDAD

- d) Asegúrese de que las brocas salgan por completo de la pieza de trabajo y de que se detengan completamente antes de ajustar la posición de la pieza de trabajo.
- e) Tenga presentes los contragolpes. Los contragolpes se producen cuando la pieza de trabajo se atasca mientras se perfora, lo que causa que se tuerza, salte y, posiblemente, salga disparada por el aire. Para evitar los contragolpes y las posibles lesiones, siempre use brocas para taladro afiladas, mantenga la máquina alineada y con el debido mantenimiento y asegure/soprote correctamente la pieza de trabajo.
- f) Asegure la máquina para evitar inclinaciones o deslices. Nunca se pare sobre la máquina.
- g) Siga todas las prácticas de lubricación y mantenimiento que se detallan en el manual de instrucciones.
- h) Esta máquina está diseñada para una aplicación específica. No la modifique ni la use para otra aplicación. Si tiene preguntas relacionadas con la aplicación de esta máquina, no la use hasta ponerse en contacto con Kreg Tool Company y recibir la orientación correspondiente.
- 7) En la etiqueta de su máquina pueden aparecer los siguientes símbolos. Los símbolos y sus definiciones son los siguientes:

PAUTAS PARA EL USO DE EXTENSIONES ELÉCTRICAS

Las extensiones eléctricas son solo para uso temporal. No reemplazan la necesidad de instalar tomacorrientes y el cableado adecuado cuando sea necesario. En el taller y en los sitios de construcción:

1. Se deben usar extensiones eléctricas con conductor de puesta a tierra del equipo en todo momento.
2. Las extensiones eléctricas deben protegerse de daños y no deben tenderse a través de puertas o ventanas porque estas puedan cerrarse y dañar el cable.
3. Las extensiones eléctricas deben ser de 16 AWG como mínimo y tener una clasificación adecuada para el equipo que se utiliza.
4. Las extensiones eléctricas deben inspeccionarse periódicamente para garantizar que el aislamiento y la conductividad de los conductores no se vean comprometidos.
5. Las extensiones eléctricas no deben tenderse sobre agua y no se debe permitir que las conexiones estén expuestas a agua acumulada.

TABLA 1

Placa de datos Amperios @120 V	Largo de la extensión eléctrica					
	7,62 m	15,24 m	22,86 m	30,48 m	45,72 m	60,96 m
	Calibre de cable recomendado					
0 - 5	16	16	16	14	12	12
5.1 - 8	16	16	14	12	10	NR
8.1 - 12	14	14	12	10	NR	NR
12.1 - 16	12	12	NR	NR	NR	NR

NR: no recomendado

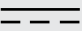
 símbolo de alerta de seguridad

V voltios

Hz hercios

A amperios

W vatios

 corriente continua

 corriente alterna

 corriente alterna o continua

 De clase I para construcción (con puesta a tierra)

 De clase II para construcción (con doble aislamiento)

 terminal de tierra

min minutos

/min por minuto

BPM golpes por minuto

RPM revoluciones por minuto


n_0 velocidad sin carga


Precaución

Conexión a tierra

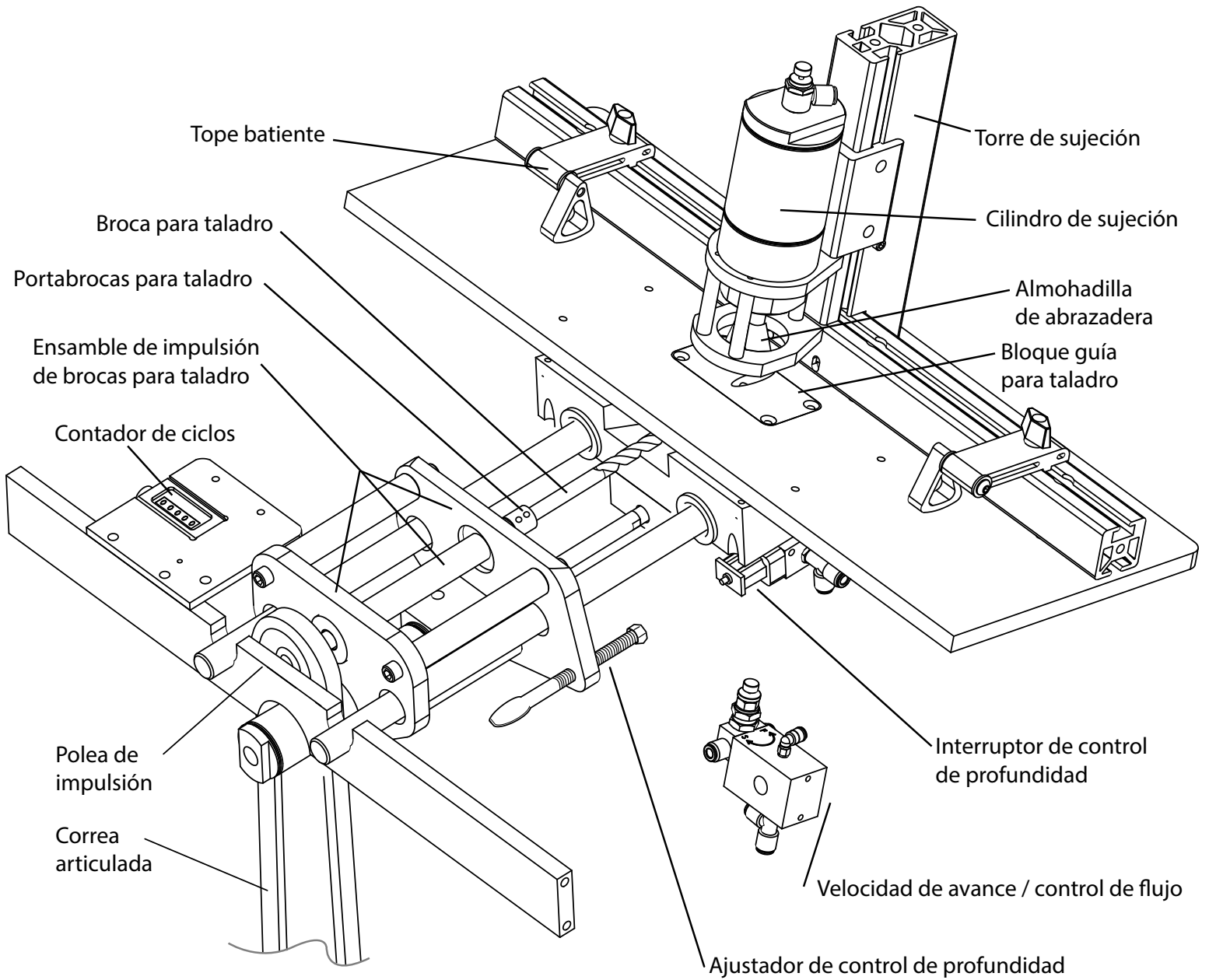
Conductor de fase (energizado) desde la fuente de alimentación

Conductor neutro desde la fuente de alimentación

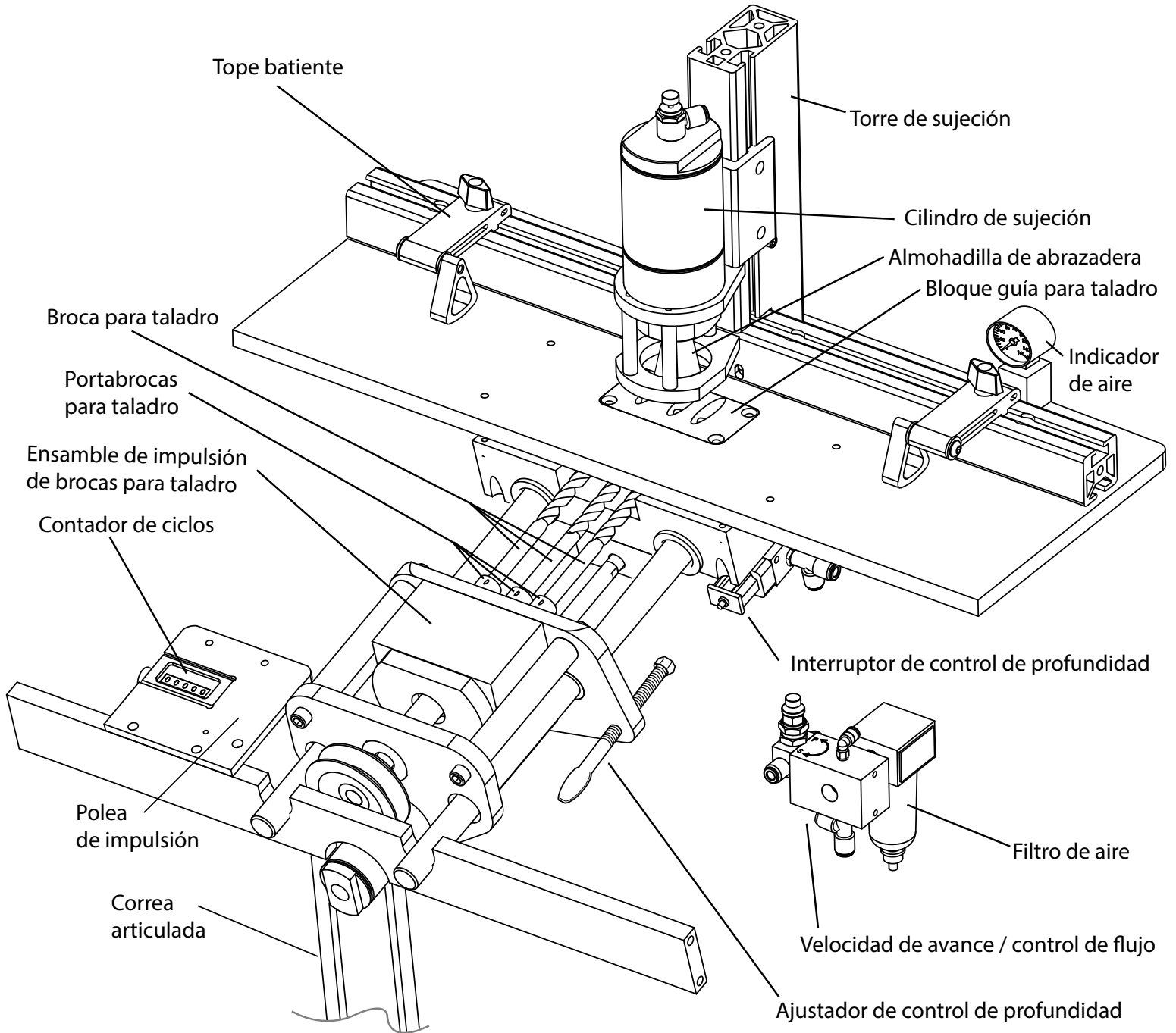
 **Advertencia:** este producto puede exponerlo a sustancias químicas, que incluyen el plomo, reconocidas por el estado de California como causantes de cáncer y defectos congénitos u otros daños en el aparato reproductivo. Para obtener más información, visite www.P65Warnings.ca.gov.

 **Advertencia:** los productos para taladrar, aserrar, lijar o cortar madera pueden exponerlo al polvo de madera, una sustancia reconocida por el estado de California como causante de cáncer. Evite inhalar el polvo de la madera o utilice una mascarilla antipolvo u otros artículos de protección personal. Para obtener más información, visite www.P65Warnings.ca.gov.

DK1100 FE - DIAGRAMA DE PIEZAS DEL MODELO ELÉCTRICO



DK3100 FE - DIAGRAMA DE PIEZAS DEL MODELO ELÉCTRICO

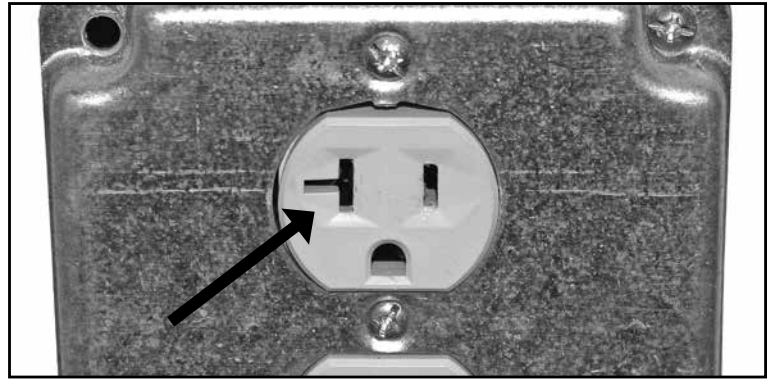


DK1100 FE / DK3100

Requisitos de la máquina

Estas máquinas requieren un circuito eléctrico de 20 amperios. Para reducir el riesgo de incendio, solo use esta máquina con una salida de 20 amperios cableada adecuadamente, lo que se indica con una muesca horizontal en la abertura izquierda de la salida, como se muestra. Todas las reparaciones eléctricas de la máquina se deben llevar a cabo por un electricista calificado o un profesional de servicio. Solo use una extensión eléctrica de 3 conductores que tenga un enchufe de puesta a tierra de 3 clavijas y un tomacorriente de 3 polos que acepte el enchufe de la herramienta.

⚠ ATENCIÓN Presión de aire recomendada para los modelos eléctricos:
90 psi [621 kPa].

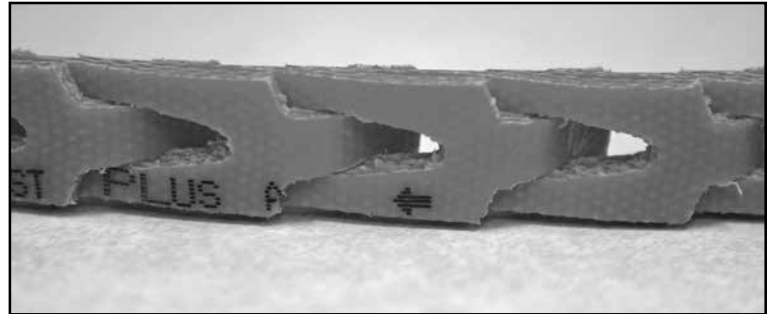


Se requiere una salida de 20 amperios

Tensión de la correa

Estas máquinas están equipadas con una correa articulada diseñada para funcionar solo en una dirección. Las flechas negras de la correa indican la rotación correcta. Desde la visión del operador, la correa DK 1100 FE gira en dirección de las manecillas del reloj. La correa DK 3100 gira en dirección contraria a las manecillas del reloj. Haga que la correa pase por un período de asentamiento antes de usarla. Para hacerlo, instálela y deje la máquina en inactividad durante cinco minutos sin taladrar. Luego, vuelva a tensar la correa para asegurar un calce ceñido.

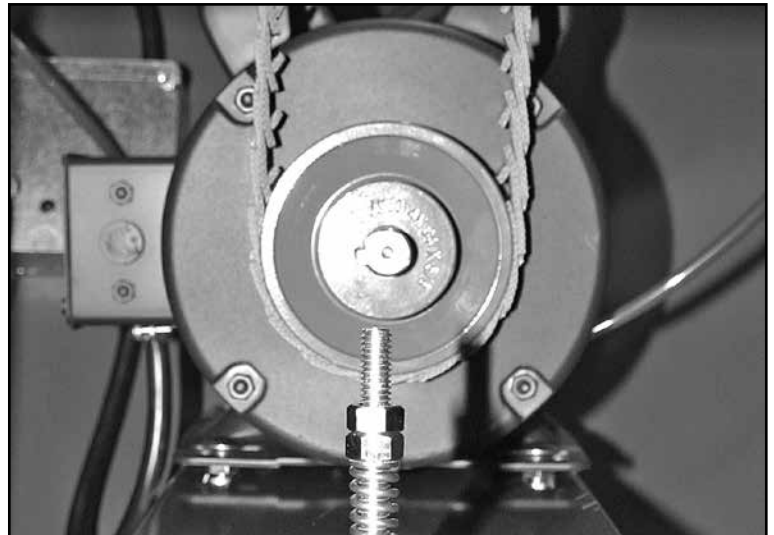
- (1) Suelte la tuerca superior de la varilla de ajuste de tensión.
- (2) Apriete la tuerca inferior contra los resortes para aumentar la tensión de la correa.
- (3) Apriete la tuerca superior contra la tuerca inferior.



Se muestra un diseño de correa 3100 en dirección contraria a las manecillas del reloj.

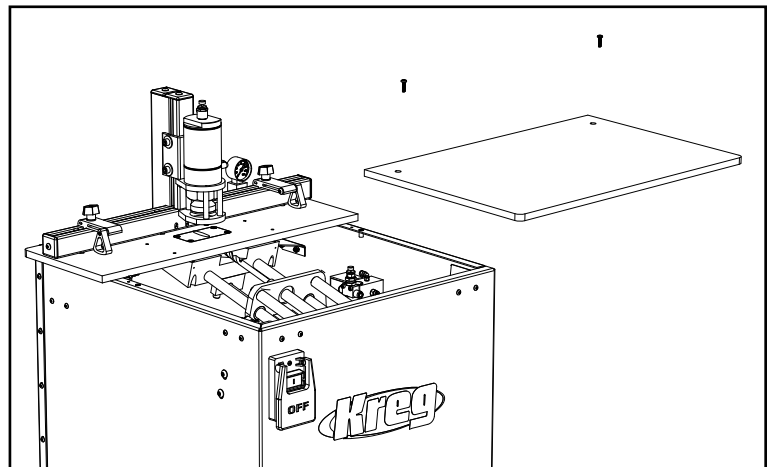
⚠ ATENCIÓN La tensión de la correa adecuada maximiza la eficacia de taladrado. Verifique la tensión de la correa al menos una vez al día para la primera semana de operación y vuelva a apretar según sea necesario. Después del período de asentamiento, verifique la tensión de la correa una vez a la semana.

⚠ ADVERTENCIA: antes de ajustar la tensión de la correa, desconecte la máquina del suministro eléctrico y de aire. Haga funcionar el ciclo de la máquina a través del interruptor de pie varias veces para retirar el aire del sistema.



Asegure la parte superior de acrílico

Ubique la parte superior de acrílico en el gabinete y asegúrelo con dos tornillos de fijación y la llave hexagonal de 1/8" proporcionada.



DK1100 FE / DK3100

Cambio de las brocas para taladro

Una broca para taladro DKDB perfora 4000 a 5000 orificios en roble antes de necesitar afilado. Esta línea de base se estableció con la configuración de fábrica para el Control de velocidad de avance descrito en este manual. Ajuste su calendario de afilado según sus configuraciones y el material que está taladrando.

⚠ Advertencia: antes de cambiar la broca para taladro, desconecte la máquina del suministro eléctrico y de aire. Haga funcionar el ciclo de la máquina a través del interruptor de pie varias veces para retirar el aire del sistema.

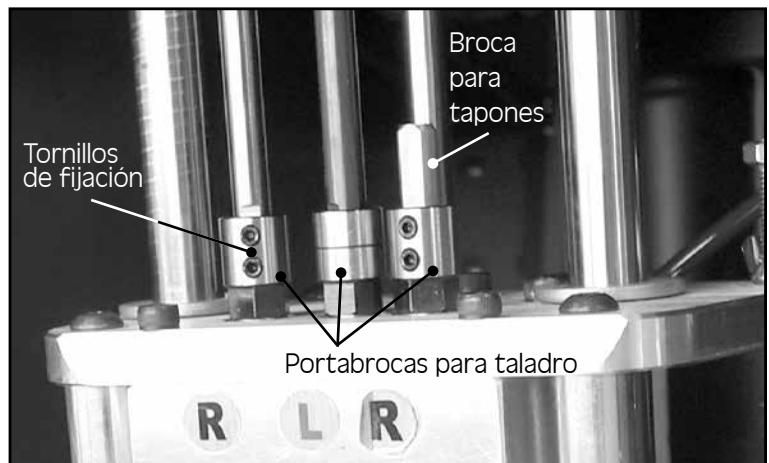
- (1) Retire la placa superior de acrílico.
- (2) Afloje ambos tornillos de fijación del portabroca con la llave hexagonal proporcionada.
- (3) Deslice la broca para taladro fuera del portabroca y hacia el bloque guía para taladro hasta que el extremo de la broca salga del portabroca. Inclínele levemente la broca para evitar el portabroca y retire la broca del bloque guía para taladro.
- (4) Inserte una nueva broca para taladro nueva o afilada en el portabroca, alineando la parte plana del vástago de la broca con los tornillos de fijación del portabroca.
- (5) Apriete los tornillos de fijación.
- (6) Vuelva a establecer el contador para que realice el seguimiento de la vida útil de la broca para taladro.



Distancia entre orificios (solo DK3100)

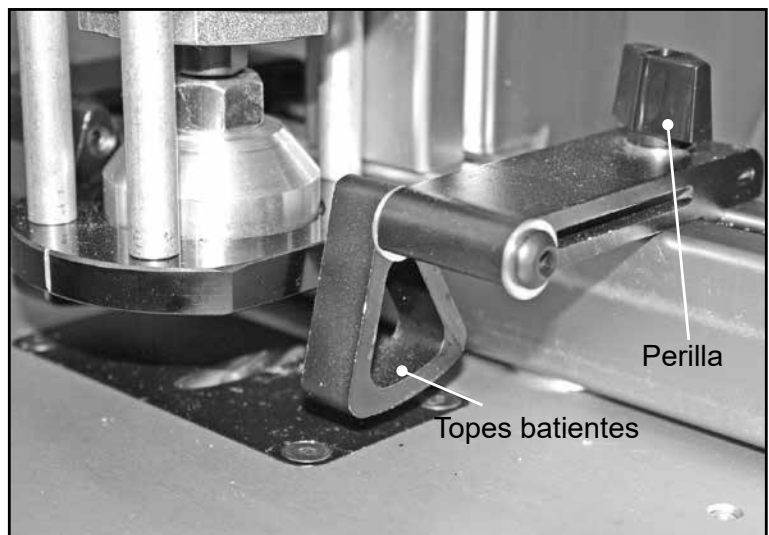
DK3100 permite taladrar uno o dos orificios ocultos al mismo tiempo. El cabezal de 3 portabrocas permite un espaciado de centro a centro de dos orificios de $\frac{3}{4}$ " [19,05 mm] (portabrocas central y derecho), 1" [25,4 mm] (portabrocas izquierdo y central) o $1\frac{3}{4}$ " [44,45 mm] (portabrocas izquierdo y derecho).

⚠ ATENCIÓN El portabroca central gira hacia la izquierda y solo se puede usar con una broca izquierda, identificada con el color gris oscuro.



Topes batientes

Dos topes batientes ayudan a perforar orificios ocultos en la misma ubicación en múltiples piezas de trabajo. Cuando no se utiliza, el tope batiente gira para retraerse, permitiendo que la pieza de trabajo se deslice bajo y se apoye en la guía. Para cambiar la ubicación del tope batiente, afloje la perilla, mueva el tope a la nueva ubicación y apriete la perilla.



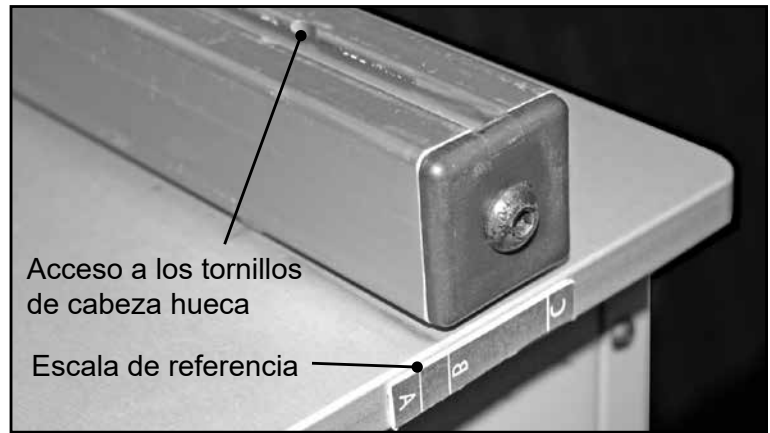
DK1100 FE / DK3100

Configuración de la guía de ajuste del grosor del material

La guía se debe ubicar para que el tornillo oculto emerja en el centro del grosor del material. Cuando ajuste la guía, asegúrese de que permanezca paralela al borde frontal del bloque guía.

- (1) Afloje los cuatro tornillos con cabeza de dado ubicados en la ranura de la parte superior de la guía.
- (2) Alinee la superficie de la guía con las escalas de letras en los bordes de la placa de base que corresponden al grosor del material.
- (3) Apriete los tornillos con cabeza de dado.

Configuración A para un material de $\frac{1}{2}$ " [12,7 mm]
Configuración B para un material de $\frac{3}{4}$ " [19,05 mm]
Configuración C para un material de $1\frac{1}{2}$ " [38,1 mm]



Tope de profundidad de taladrado

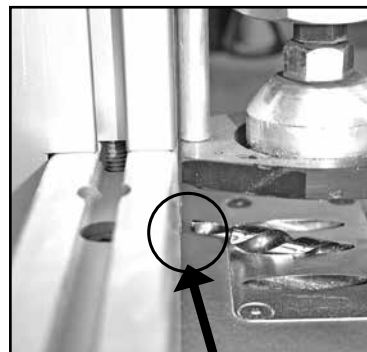
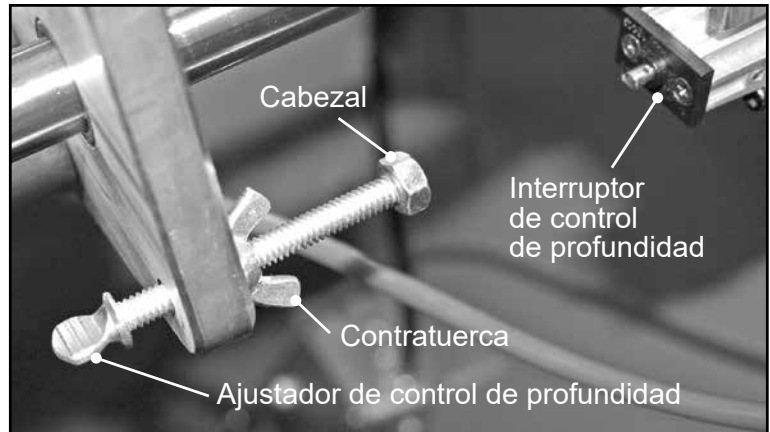
El tope de profundidad de taladro controla el desplazamiento hacia delante de la broca para taladro y el ciclo del cilindro de avance de taladrado. Cuando el tope de profundidad entra en contacto con el interruptor de control de profundidad, el desplazamiento hacia delante de la broca para taladro se detiene y cambia la dirección, completando así el ciclo de taladrado.

ADVERTENCIA: antes de ajustar el tope de profundidad de taladrado, desconecte la máquina del suministro eléctrico y de aire. Haga funcionar el ciclo de la máquina a través del interruptor de pie varias veces para retirar el aire del sistema.

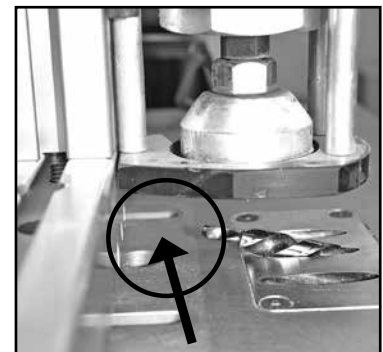
- (1) Afloje la tuerca mariposa.
- (2) Presione el ensamble de impulsión de brocas para taladro hacia delante para proporcionar las siguientes distancias entre la punta piloto de la broca para taladro y la guía: material de $\frac{1}{2}$ " [12,7 mm] y $\frac{3}{4}$ " [19,05 mm]: distancia de $\frac{1}{8}$ " [3,17 mm], material de $1\frac{1}{2}$ " [38,1 mm]: distancia de 1" [25,4 mm]

- (3) Configure el ajustador de control de profundidad hasta que el cabezal presione completamente el émbolo del interruptor de control de profundidad.
- (4) Apriete la contratuerca.
- (5) Jale el ensamble de impulsión de brocas para taladro hacia atrás hasta que se detenga.

ATENCIÓN Afilar una broca para taladro la hace más corta. Cuando instale una broca afilada, vuelva a ajustar la profundidad de taladrado.



Se muestra para el uso con las configuraciones $\frac{1}{2}$ " y $\frac{3}{4}$ ".



Se muestra para el uso con la configuración $1\frac{1}{2}$ ".

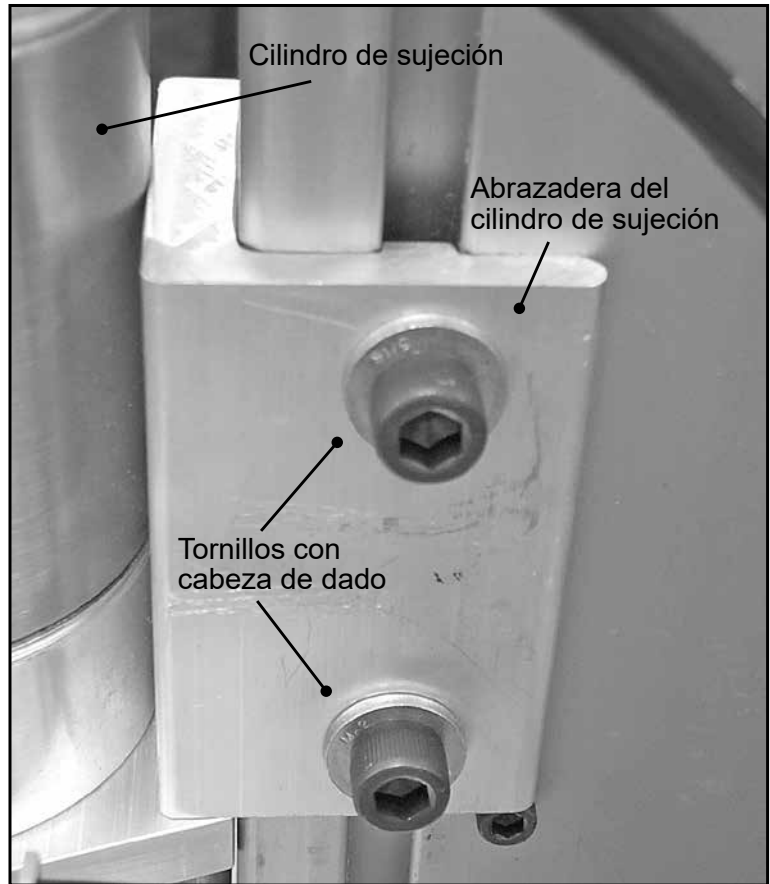
DK1100 FE / DK3100

Altura del cilindro de sujeción

La configuración de altura del cilindro de sujeción se ajusta a grosores de material de $\frac{1}{2}$ " a $\frac{3}{4}$ " [12,7 mm a 19,05 mm].

⚠ ADVERTENCIA: antes de ajustar el tope de profundidad de taladrado, desconecte la máquina del suministro eléctrico y de aire. Haga funcionar el ciclo de la máquina a través del interruptor de pie varias veces para retirar el aire del sistema.

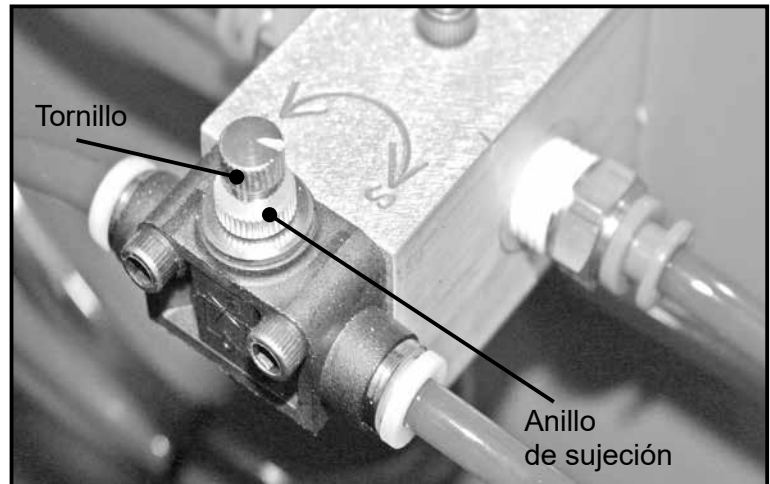
- (1) Afloje los dos tornillos con cabeza de dado a cada lado de la abrazadera del cilindro de sujeción.
- (2) Ajuste el cilindro de sujeción para permitir que la pieza de trabajo pase por debajo de la almohadilla de sujeción.
- (3) Apriete los tornillos con cabeza de dado.



Velocidad de avance

La válvula de control de la velocidad de avance controla la velocidad a la que la broca para taladro avanza hacia el material. La configuración de fábrica optimiza la vida útil de la broca para taladro. La válvula se puede ajustar cuando se desea una velocidad de avance más rápida o más lenta. Solo se recomienda realizar ajustes a usuarios experimentados que taladren consistentemente el mismo grosor y tipo de material.

- (1) Afloje el anillo de sujeción y gire el tornillo en la dirección del cambio deseado en la velocidad de avance, F es más rápido y S más lento. Una pequeña rotación significa un gran cambio en la velocidad de avance.
 - (2) Apriete el anillo de sujeción.
- Para volver a los ajustes de fábrica después de cambiar la velocidad de avance:
- (1) Afloje el anillo de sujeción.
 - (2) Gire el tornillo en dirección de las manecillas del reloj hasta que se detenga.
 - (3) Gire el tornillo en dirección contraria a las manecillas del reloj cuatro giros completos para DK1100 FE y tres giros completos para DK3100.
 - (4) Apriete el anillo de sujeción.



Duración de la sujeción

El control de duración de sujeción ajusta la cantidad de tiempo que la abrazadera neumática engancha el material antes, durante y después del taladrado.

- (1) Afloje el anillo de sujeción
- (2) Gire el tornillo en dirección de las manecillas del reloj para aumentar el tiempo de sujeción y en dirección contraria a las manecillas del reloj para disminuir el tiempo de sujeción.
- (3) Apriete el anillo de sujeción.

⚠ ATENCIÓN Si la pieza de trabajo se levanta del bloque guía para taladro durante el taladrado, es posible que la altura del cilindro de sujeción, la duración de sujeción o ambas configuraciones no estén ajustadas.

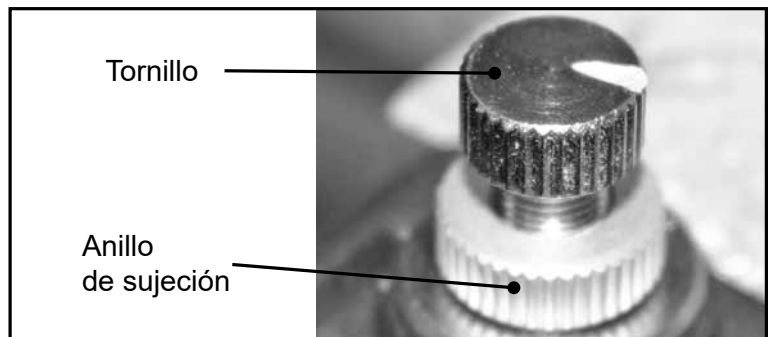
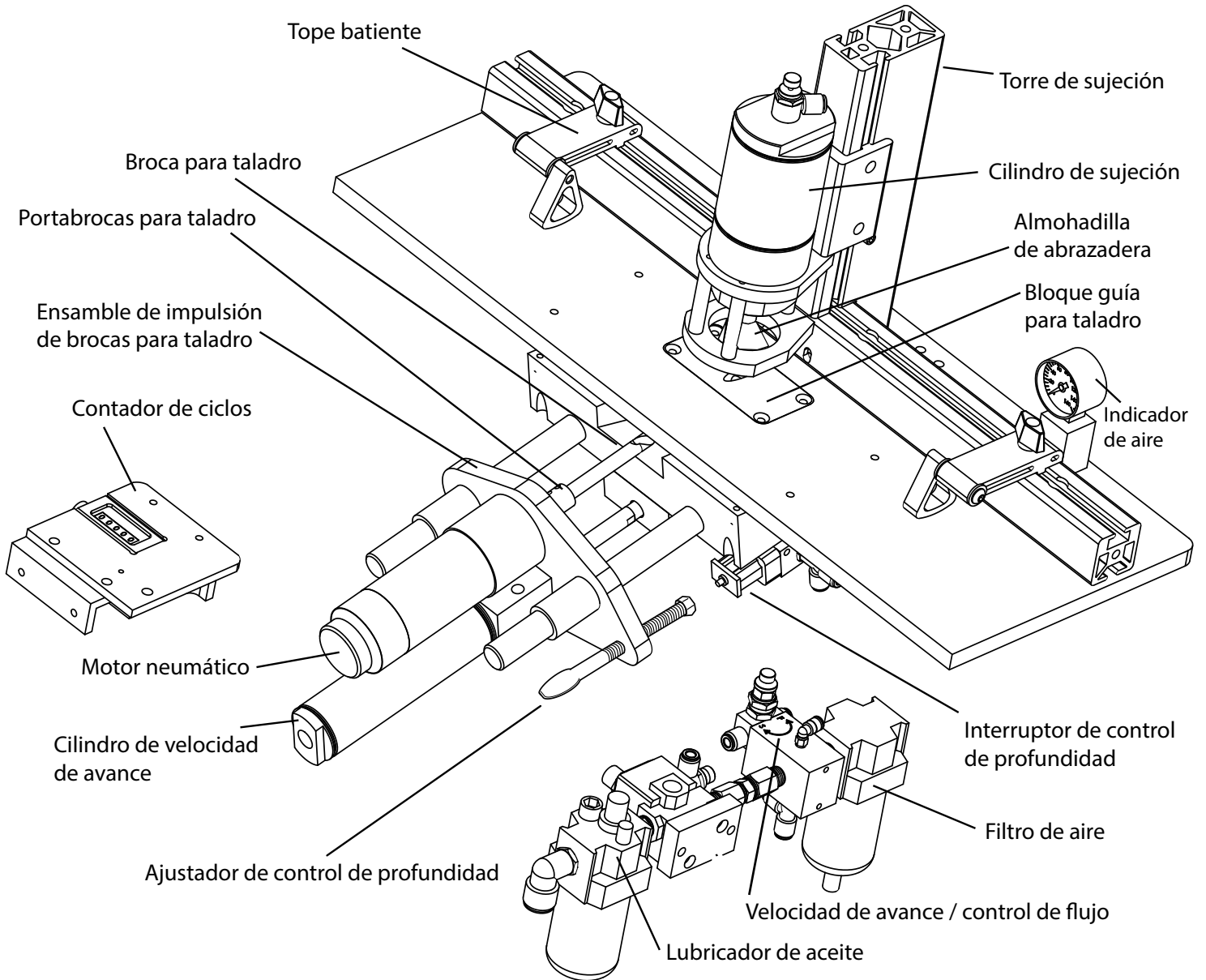


DIAGRAMA DE PIEZAS DE DK1100 FP / TP



DK1100 FP / TP

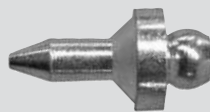
Requisitos de la máquina

Para recibir un suministro de aire suficiente desde el compresor de aire, estas máquinas completamente neumáticas cuentan con conectores de alto flujo de $\frac{3}{8}$ " [9,52 mm]. Use el producto en un sistema con tuberías de $\frac{1}{2}$ " [12,7 mm] o más y realice la conexión a la máquina con una manguera de $\frac{3}{8}$ " [9,52 mm]. Restringir el flujo de aire con una manguera o conector de menor diámetro puede degradar el rendimiento de la máquina. Mantenga la menor distancia posible entre el compresor de aire y la máquina. Además, use la manguera más corta posible.

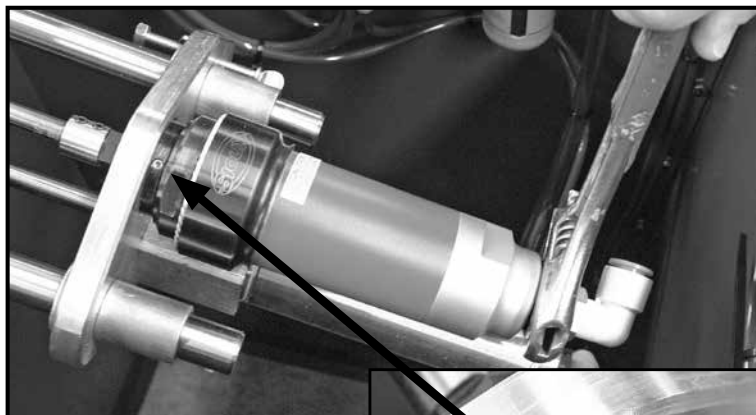
⚠ ATENCIÓN Presión de aire recomendada para los modelos neumáticos: 120 psi [827 kPa].

Para una máquina con uso diario, lubrique el taladro neumático al menos una vez al mes con una pistola de grasa y el conector Zerk con punta de aguja incluido con la máquina. Kreg recomienda dos bombas de grasa multiuso Moly-Graph® Sta-Lube para presión extrema (Fastenal, 1.800.272.8963, www.fastenal.com) o equivalente.

⚠ ADVERTENCIA: antes de lubricar el taladro, desconecte la máquina del suministro de aire. Haga funcionar el ciclo de la máquina a través del interruptor de pie varias veces para retirar el aire del sistema.



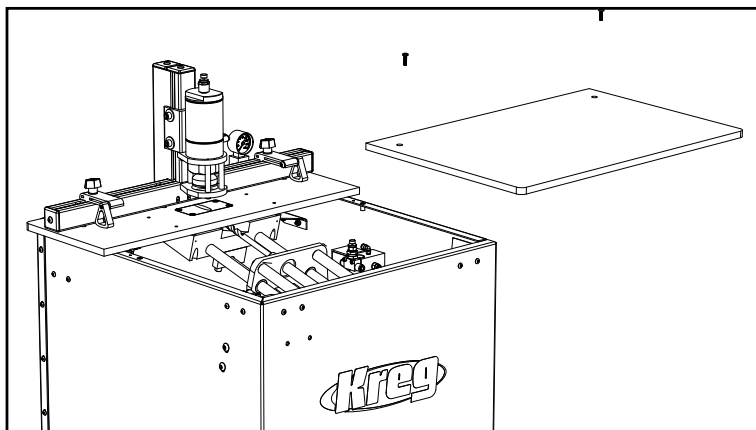
CONECTOR ZERK PARA GRASA INCLUIDO CON LA MÁQUINA



Es posible que necesite girar el taladro para obtener acceso al puerto de grasa. Use una llave inglesa para girar el conector negro de la parte posterior del taladro en dirección de las manecillas del reloj.

Asegure la parte superior de acrílico

Ubique la parte superior de acrílico en el gabinete y asegúrelo con dos tornillos de fijación y la llave hexagonal de $\frac{1}{8}$ " proporcionada.

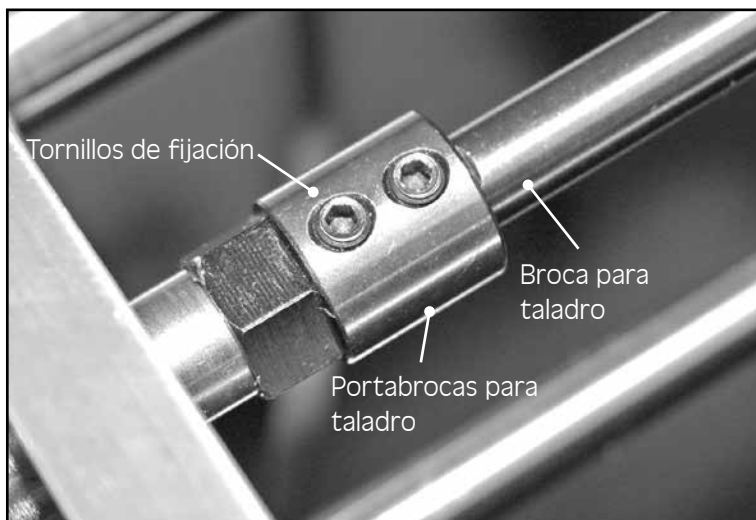


Cambio de las brocas para taladro

Una broca para taladro DKDB perfora 4000 a 5000 orificios en roble antes de necesitar afilado. Esta línea de base se estableció con la configuración de fábrica para el Control de velocidad de avance descrito en este manual. Ajuste su calendario de afilado según sus configuraciones y el material que está taladrando.

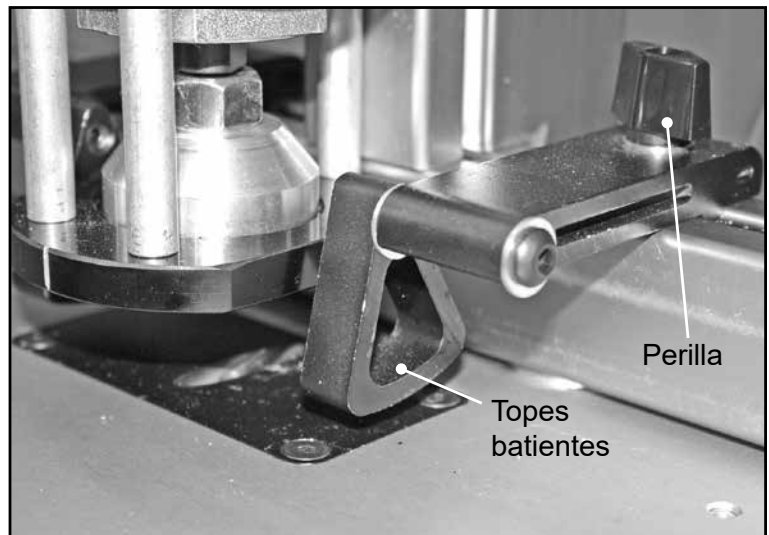
⚠ ADVERTENCIA: antes de cambiar la broca para taladro, desconecte la máquina del suministro de aire. Haga funcionar el ciclo de la máquina a través del interruptor de pie varias veces para retirar el aire del sistema.

- (1) Retire la placa superior de acrílico.
- (2) Afloje ambos tornillos de fijación del portabroca con la llave hexagonal proporcionada.
- (3) Deslice la broca para taladro fuera del portabroca y hacia el bloque guía para taladro hasta que el extremo de la broca salga del portabroca. Inclínele levemente la broca para evitar el portabroca y retire la broca del bloque guía para taladro.
- (4) Inserte una nueva broca para taladro nueva o afilada en el portabroca, alineando la parte plana del vástago de la broca con los tornillos de fijación del portabroca.
- (5) Apriete los tornillos de fijación.
- (6) Vuelva a establecer el contador para que realice el seguimiento de la vida útil de la broca para taladro.



Topes batientes

Dos topes batientes ayudan a perforar orificios ocultos en la misma ubicación en múltiples piezas de trabajo. Cuando no se utiliza, el tope batiente gira para retraerse, permitiendo que la pieza de trabajo se deslice bajo y se apoye en la guía. Para cambiar la ubicación del tope batiente, afloje la perilla, mueva el tope a la nueva ubicación y apriete la perilla.

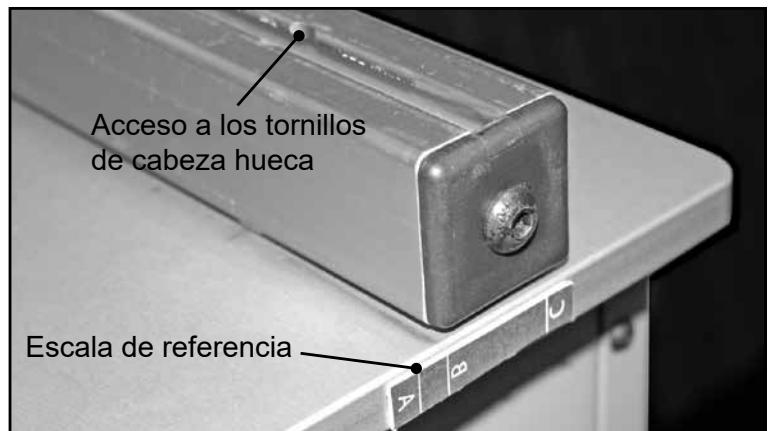


Configuración de la guía de ajuste del grosor del material

La guía se debe ubicar para que el tornillo oculto emerja en el centro del grosor del material. Cuando ajuste la guía, asegúrese de que permanezca paralela al borde frontal del bloque guía.

- (1) Afloje los cuatro tornillos con cabeza de dado ubicados en la ranura de la parte superior de la guía.
- (2) Alinee la superficie de la guía con las escalas de letras en los bordes de la placa de base que corresponden al grosor del material.
- (3) Apriete los tornillos con cabeza de dado.

Configuración A para un material de $\frac{1}{2}$ " [12,7 mm]
 Configuración B para un material de $\frac{3}{4}$ " [19,05 mm]
 Configuración C para un material de $1\frac{1}{2}$ " [38,1 mm]



Tope de profundidad de taladrado

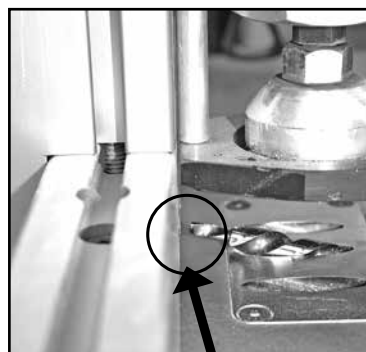
El tope de profundidad de taladro controla el desplazamiento hacia delante de la broca para taladro y el ciclo del cilindro de avance de taladrado. Cuando el tope de profundidad entra en contacto con el interruptor de control de profundidad, el desplazamiento hacia delante de la broca para taladro se detiene y cambia la dirección, completando así el ciclo de taladrado.

ADVERTENCIA: Antes de ajustar la tensión de la correa, desconecte la máquina del suministro eléctrico y de aire. Haga funcionar el ciclo de la máquina a través del interruptor de pie varias veces para retirar el aire del sistema.

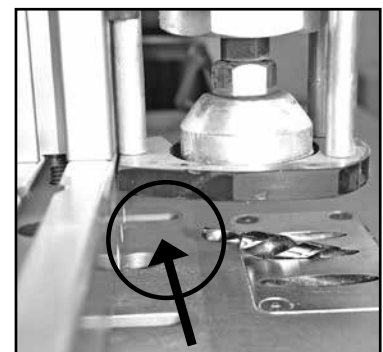
- (1) Afloje la tuerca mariposa.
- (2) Presione el ensamble de impulsión de brocas para taladro hacia delante para proporcionar las siguientes distancias entre la punta piloto de la broca para taladro y la guía: Material de $\frac{1}{2}$ " [12,7 mm] y $\frac{3}{4}$ " [19,05 mm]: distancia de $\frac{5}{8}$ " [3,17 mm], material de $1\frac{1}{2}$ " [38,1 mm]: distancia de 1" [25,4 mm]

- (3) Configure el ajustador de control de profundidad hasta que el cabezal presione completamente el émbolo del interruptor de control de profundidad.
- (4) Apriete la contratuerca.
- (5) Jale el ensamble de impulsión de brocas para taladro hacia atrás hasta que se detenga.

ATENCIÓN: Afilar una broca para taladro la hace más corta. Cuando instale una broca afilada, vuelva a ajustar la profundidad de taladrado.



Se muestra para el uso con las configuraciones $\frac{1}{2}$ " y $\frac{3}{4}$ ".



Se muestra para el uso con la configuración $1\frac{1}{2}$ ".

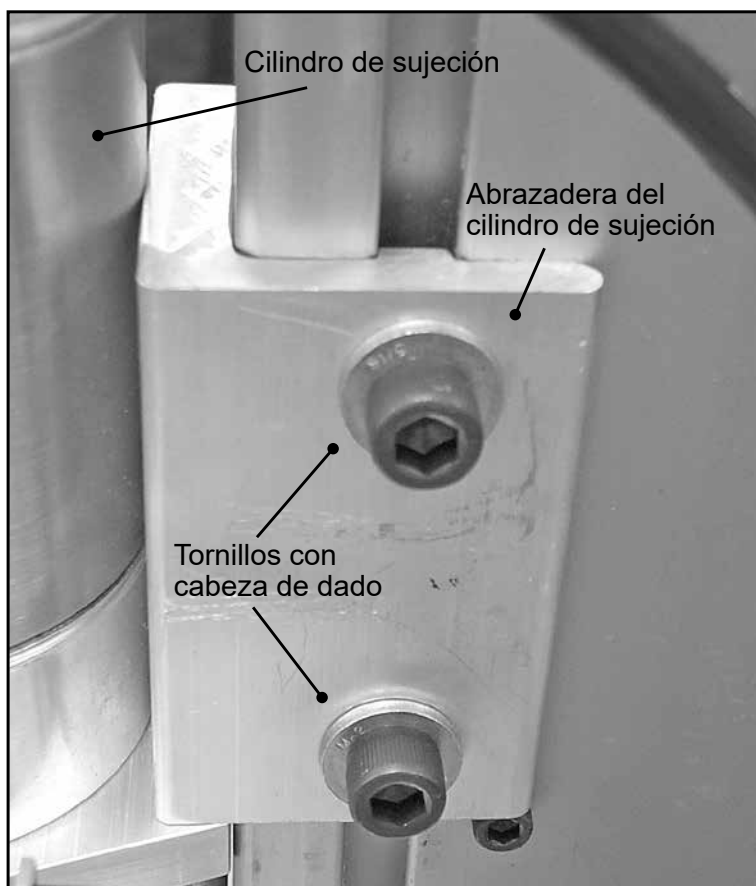
DK1100 FP / TP

Altura del cilindro de sujeción

Al configuración de altura del cilindro de sujeción se ajusta a grosores de material de $\frac{1}{2}$ " a $\frac{3}{4}$ " [12,7 mm a 19,05 mm].

⚠ Advertencia: antes de ajustar el tope de profundidad de taladrado, desconecte la máquina del suministro eléctrico y de aire. Haga funcionar el ciclo de la máquina a través del interruptor de pie varias veces para retirar el aire del sistema.

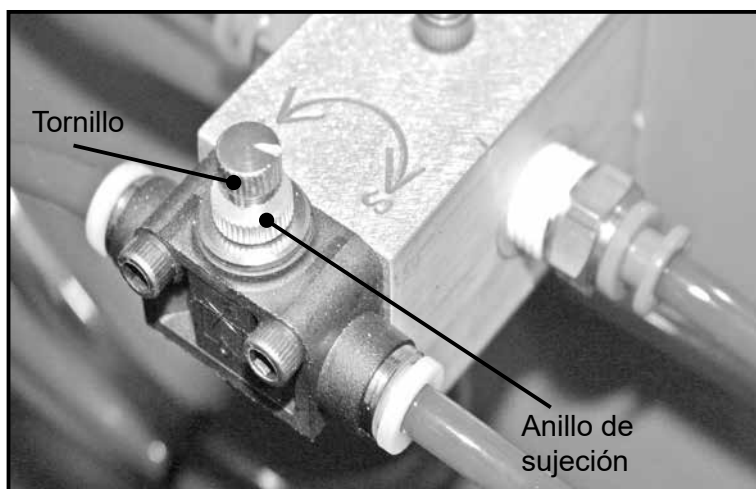
- (1) Afloje los dos tornillos con cabeza de dado a cada lado de la abrazadera del cilindro de sujeción.
- (2) Ajuste el cilindro de sujeción para permitir que la pieza de trabajo pase por debajo de la almohadilla de sujeción.
- (3) Apriete los tornillos con cabeza de dado.



Velocidad de avance

La válvula de control de la velocidad de avance controla la velocidad a la que la broca para taladro avanza hacia el material. La configuración de fábrica optimiza la vida útil de la broca para taladro. La válvula se puede ajustar cuando se desea una velocidad de avance más rápida o más lenta. Solo se recomienda realizar ajustes a usuarios experimentados que taladren consistentemente el mismo grosor y tipo de material.

- (1) Afloje el anillo de sujeción y gire el tornillo en la dirección del cambio deseado en la velocidad de avance, F es más rápido y S más lento. Una pequeña rotación significa un gran cambio en la velocidad de avance.
 - (2) Apriete el anillo de sujeción.
- Para volver a los ajustes de fábrica después de cambiar la velocidad de avance:
- (1) Afloje el anillo de sujeción.
 - (2) Gire el tornillo en dirección de las manecillas del reloj hasta que se detenga.
 - (3) Gire el tornillo en dirección contraria a las manecillas del reloj cuatro giros completos para DK1100 FE y tres giros completos para DK3100.
 - (4) Apriete el anillo de sujeción.

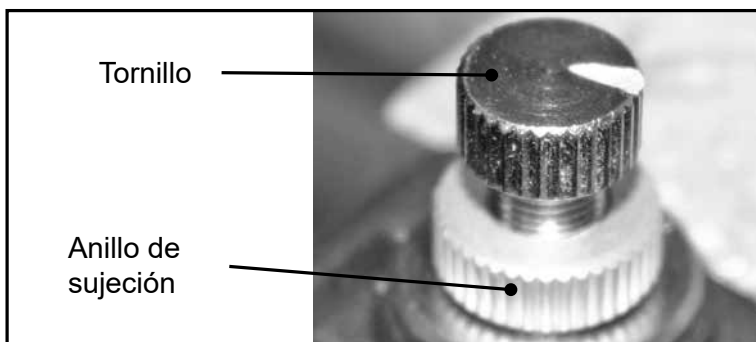


Duración de la sujeción

El control de duración de sujeción ajusta la cantidad de tiempo que la abrazadera neumática engancha el material antes, durante y después del taladrado.

- (1) Afloje el anillo de sujeción
- (2) Gire el tornillo en dirección de las manecillas del reloj para aumentar el tiempo de sujeción y en dirección contraria a las manecillas del reloj para disminuir el tiempo de sujeción.
- (3) Apriete el anillo de sujeción.

⚠ ATENCIÓN Si la pieza de trabajo se levanta del bloque guía para taladro durante el taladrado, es posible que la altura del cilindro de sujeción, la duración de sujeción o ambas configuraciones no estén ajustadas.



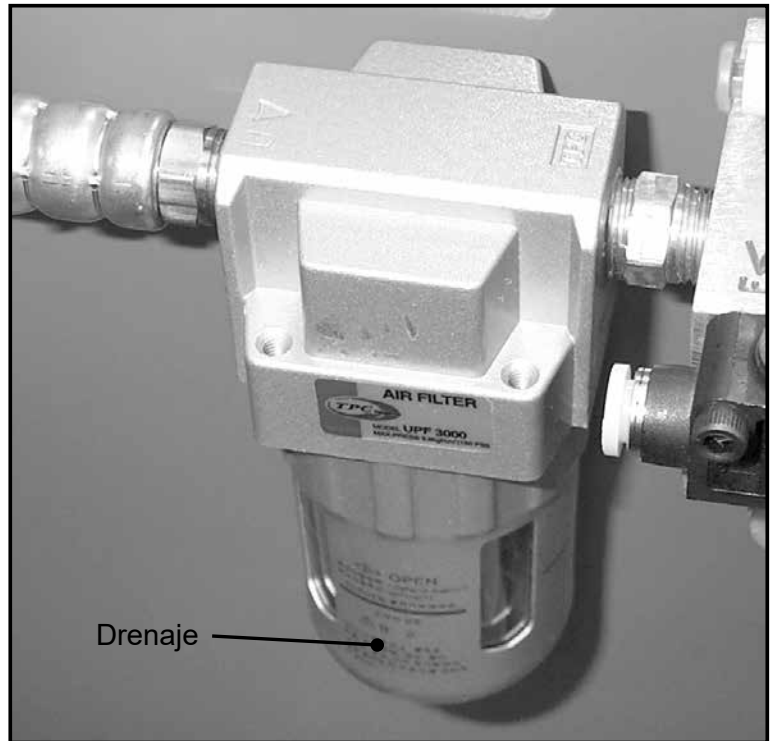
DK1100 FP / TP

Filtro del sistema de aire

El filtro del sistema de aire mantiene un suministro de aire comprimido limpio y libre de humedad hacia la máquina y se debe drenar periódicamente.

- (1) Presione la válvula de drenaje hacia arriba, hacia el depósito o el otro lado.
- (2) Deje que la presión de aire del sistema extraiga el líquido recolectado.
- (3) Libere la válvula de drenaje.

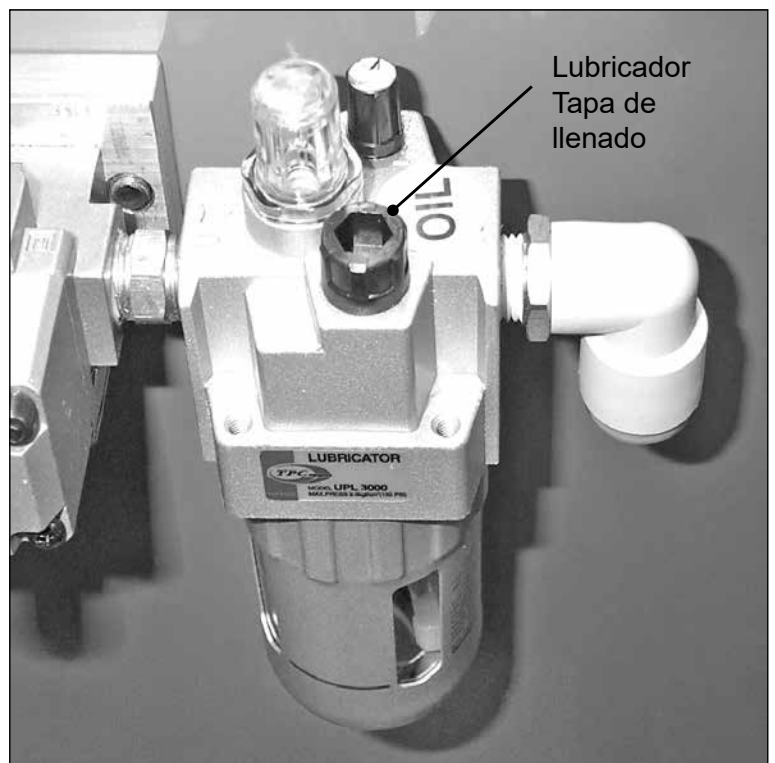
⚠ Advertencia: antes de ajustar el tope de profundidad de taladrado, desconecte la máquina del suministro eléctrico y de aire. Haga funcionar el ciclo de la máquina a través del interruptor de pie varias veces para retirar el aire del sistema.



Lubricador del sistema de aire

El lubricador del sistema de aire se llena con aceite para motor de aire y mantiene la lubricación adecuada para el motor neumático. El lubricador se configura de fábrica abierto en $\frac{1}{2}$ giro. El nivel de aire se debe revisar constantemente y se debe volver a llenar con un aceite para motor de aire comparable al proporcionado. El uso normal de la máquina causa que se acumule una ligera película de aceite en la parte inferior de la placa superior donde está el escape del motor neumático.

⚠ WARNING: Antes de llenar el lubricador, desconecte la máquina del suministro de aire. Haga funcionar el ciclo de la máquina a través del interruptor de pie varias veces para retirar el aire del sistema.



GARANTÍA

MÁQUINAS DE ORIFICIOS OCULTOS COMPLETAMENTE AUTOMÁTICAS DE LA SERIE DK

No devuelva la máquina al concesionario para obtener el servicio de garantía. Para todos los problemas de garantía, póngase en contacto con el Departamento de Servicio al Cliente de Kreg Tool Company en la dirección o número de teléfono que aparece a continuación.

Kreg Tool Company garantiza a los distribuidores autorizados de productos Kreg y a los compradores originales de dichos distribuidores, que las máquinas para orificios ocultos DK1100 y DK3100 estarán libres de defectos en los materiales y la mano de obra durante un período de cinco años a partir de la fecha de entrega al comprador original. El motor y otras piezas de trabajo de la máquina cuentan con una garantía de un (1) año a partir de la fecha de entrega al comprador original. La guía de taladro presenta una garantía de por vida.

Kreg, a su criterio, reparará o reemplazará cualquier producto o componente del producto que presente defectos durante el período de garantía. Esta garantía se aplica solo a productos usados siguiendo todas las instrucciones establecidas en catálogos y manuales proporcionados por Kreg Tool Company en cuanto a operación, mantenimiento y seguridad.

Esta garantía no se aplica a (1) artículos de consumo normal o que requieran reemplazo debido al desgaste normal (brocas para aladro, lubricantes, etc.); (2) el costo de retiro de los componentes si dicho retiro está autorizado por Kreg Tool Company; (3) el envío a la instalación de reparaciones de Kreg Tool Company; o (4) la reinstalación de los componentes.

Esta garantía se hace efectiva solo cuando la tarjeta adjunta o el formulario en línea (disponible en www.kregtool.com) se llenan completa y adecuadamente, y se devuelve a Kreg Tool Company dentro de diez (10) días a partir de la fecha de entrega al comprador original.

Esta garantía queda nula y sin validez si el producto ha sido sometido a (1) uso indebido, maltrato, servicio inadecuado o almacenamiento indebido; (2) accidentes, negligencia, daños u otras circunstancias fuera del control de Kreg Tool Company; y (3) modificaciones, desensamblaje, manipulación, alteraciones o reparaciones realizadas fuera de la fábrica de Kreg Tool Company o no autorizadas por Kreg Tool Company. Esta garantía no se aplica a (1) ningún producto que no cuente con la placa de número de serie original; (2) compradores que no sean el original; y (3) desgaste normal, corrosión, abrasión o reparaciones requeridas debido a causas naturales o fenómenos naturales.

Para obtener el servicio de garantía, póngase en contacto con el distribuidor a quien le compró la máquina para orificios ocultos o directamente con Kreg Tool Company. Se exigirá una prueba de compra para obtener soluciones según los términos de esta garantía. Kreg Tool Company no asume ninguna responsabilidad por productos devueltos sin autorización previa. La responsabilidad de Kreg Tool Company según esta garantía se limita exclusivamente a la reparación o el reemplazo (a criterio

de Kreg Tool Company) de los productos que Kreg Tool Company encuentre defectuosos en el momento de la entrega a la fábrica de Kreg Tool Company y según la inspección de técnicos de Kreg Tool Company. Bajo ninguna circunstancia Kreg Tool Company será responsable por daños accidentales o resultantes causados por productos defectuosos; asimismo, la responsabilidad de Kreg Tool Company no será superior al precio de compra pagado por el comprador original.

La presente es la única garantía de Kreg Tool Company. Cualquier otra garantía implícita por la ley, lo que incluye cualquier garantía de comerciabilidad o idoneidad para un fin particular, están por tanto limitadas al tiempo a la duración de esta garantía. Kreg Tool Company no será responsable por pérdidas, daños o gastos relacionados de forma directa o indirecta al uso de productos Kreg ni por ninguna otra causa o daño resultante, lo que incluye pero no se limita a pérdidas de tiempo, molestias y pérdidas de producción. La garantía descrita en el presente documento no puede modificarse. Además, ninguna garantía adicional, expresa o implícita, puede hacerse por Kreg Tool Company ni en su nombre.

Registre su garantía dentro de diez (10) días desde la fecha de entrega.

No se proporcionará el servicio de garantía sin el registro.

CONSERVE UNA COPIA DE ESTE FORMULARIO PARA SUS REGISTROS.

Para su registro, la siguiente información será útil en caso de que se requiera servicio de garantía. Para obtener un registro completo, fije una copia de la factura de compra a este formulario.

Fecha de compra: ____/____/____

Comprado en: _____

Número de serie: _____

(número de serie ubicado en el borde frontal de la placa de la superficie de trabajo)



Kreg Tool Company, 201 Campus Drive, Huxley, IA 50124
800.447.8638 • www.kregtool.com