



Owners Manual

DefendAir® HEPA 500 Air Scrubber

Model F284-115V

DRI-EAZ PRODUCTS, INC.

15180 Josh Wilson Road, Burlington, WA 98233

Phone: 800-932-3030 Fax: 36-757-7950 www.dri-eaz.com

The DefendAir HEPA 500 is a portable filtration system that draws air in from the surrounding environment and passes it through an advanced filtration system. The unit removes airborne particles such as dust, mold spores, pollen, pet dander and other debris, and can also be configured to remove odors.

Patents: <http://www.LBpatents.com>

READ AND SAVE THESE INSTRUCTIONS

WARNING

WARNING! Do not alter or modify your HEPA 500 in any way. Use only replacement parts authorized by Dri-Eaz Products, Inc. Modifications or use of unapproved parts could create a hazard and will void your warranty. Contact your authorized Dri-Eaz distributor for assistance.



WARNING! Electric shock hazard, rotating fan, hot surface hazards. Unplug unit before opening cover for cleaning or servicing. Unit must be grounded.

- Inspect the power cord before use. If cord is damaged, do not use. Always grasp the plug (not the cord) to unplug.
- Plug cord firmly into base of unit first, then into electrically grounded outlet. Do not use adapter. Never cut off third prong. Do not use an extension cord.
- To keep power cords from pulling the unit, be sure to insert the plugs firmly and engage the cords in the cord clips attached to back of unit.
- Do not attempt to repair the unit. For Authorized Service Centers, check the "How to Buy" section at www.dri-eaz.com or call Dri-Eaz at 800-932-3030.

If the power cord is damaged, it must be replaced by the

manufacturer, its service agent or similarly qualified persons in order to avoid a hazard.

WARNING

- Do not operate any fan with a damaged cord or plug. Discard fan or return to an authorized service facility for examination and/or repair.
- Do not run cord under carpeting. Do not cover cord with throw rugs, runners, or similar coverings. Do not route cord under furniture or appliances. Arrange cord away from traffic area and where it will not be tripped over.

INTRODUCTION

The HEPA 500 uses a combination of airflow and filtration to create cleaner air. The unit draws air through two types of filters – a pre-filter and a HEPA filter. The first stage of filtration captures larger particles. When fitted with the optional Activated Carbon Filter, the first stage can also adsorb a wide variety of odor compounds. The second stage of filtration captures much smaller particles down to 0.3 microns.

BEFORE YOU BEGIN

Warranty registration

Visit warranty.drieaz.com to register your purchase. Registration allows us to better assist you with using,

Parts Identification



Fig. 1: Speed Control

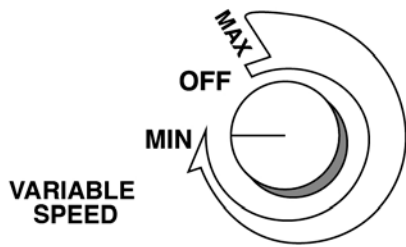
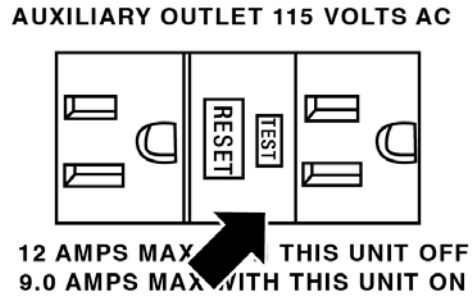


Fig. 2: GFCI Ground Fault Interrupter



maintaining or servicing your equipment, as well as to contact you in case we have important safety information concerning this product. If you determine service is required, have your equipment model, serial number and original proof of purchase available and call your distributor for assistance with obtaining a return material authorization (RMA).

ELECTRICAL SAFETY

The HEPA 500 has two features designed to protect the machine and the operator from electrical hazards.

1. Circuit Breaker. The On/Off switch incorporates a circuit breaker to protect the machine from excessive electrical current by automatically turning the unit off when more than 12 amps run through the unit's circuitry. If the circuit breaker trips, first reduce the number of units connected to the main unit via "daisy chain," then press the On/Off switch to reset.

2. GFCI. The HEPA 500 is also equipped with Ground Fault Circuit Interrupter (GFCI). The GFCI helps to protect the user against electric shock. If the system detects a ground fault, the GFCI will instantly interrupt the electric current. The GFCI will also trip when a short circuit or an overload occurs.

NOTICE: If the GFCI trips, unplug the unit, and look for potential electrical hazards – standing water, worn or frayed cords – anything that would cause a surge of electrical current. Once you've addressed these problems, press the red "Reset" button and check for proper operation. To isolate the problem, it may be useful to relocate the unit and plug it into a different outlet. If the GFCI continues to trip after you've addressed any obvious problems, please contact your Dri-Eaz distributor for assistance.

HEPA 500 APPLICATIONS

Water Damage

Use of the HEPA 500 within the affected area will reduce particle levels during the restoration process. In a standard Category 1 water damage situation, place the HEPA 500 in the middle of the affected area. Category 2 and 3 water damage situations may require negative pressure containment and other precautions. Only professionals with the appropriate training should use containment techniques.

Mold Remediation

Most mold remediation projects require containment. Containment prevents the spread of mold spores and other bioaerosols. Always use the optional DOP Filter (F415) when using the HEPA 500 to ensure first-pass filtration in a

containment setup. Only a professional with the appropriate training should attempt mold remediation.

Odor control

When used with the optional Activated Carbon Filter (F397), the HEPA 500 can effectively remove many odors from an indoor air environment, including volatile organic compounds (VOCs), food odors, fumes from paint and paint thinners, sewer odors, and many others.

Other uses include fire damage restoration, dust control, odor control and sewage remediation. These are specialized applications and require professional training. For more information about using the HEPA 500 in these situations, consult the *IICRC S520: The Standard and Reference Guide for Professional Mold Remediation*. You can get a copy from the IICRC at 360-693-5675 or visit their website at www.IICRC.org. You can also contact Restoration Sciences Academy at 800-932-3030 for technical advice and to learn more about RSA classes.

WARNING: BREATHING HAZARD



When using the HEPA 500 in a containment area, turn off all sources of power to open combustion appliances such as fireplaces, boilers, furnaces, water heaters and HVAC systems to avoid the risk of backdrafting deadly carbon monoxide fumes.

CONTROLS AND OPERATING INSTRUCTIONS

Variable Speed Control knob

Increase the fan speed by turning the knob (Fig. 1) clockwise. Fan speed can be adjusted between 250 and 500 CFM.

Fig. 3: HEPA Filter Change Light



Fig. 4: On/Off Switch and Circuit Breaker

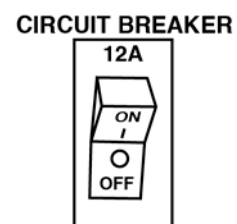
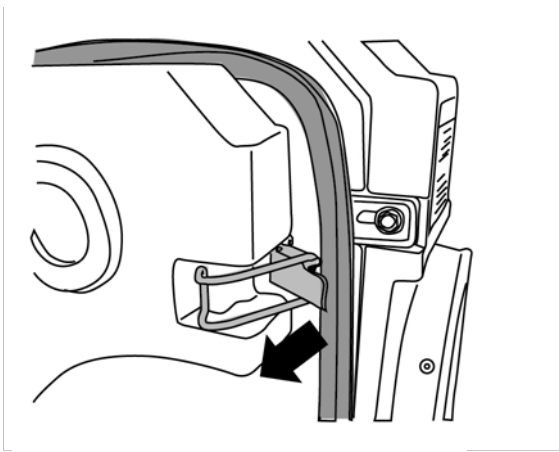
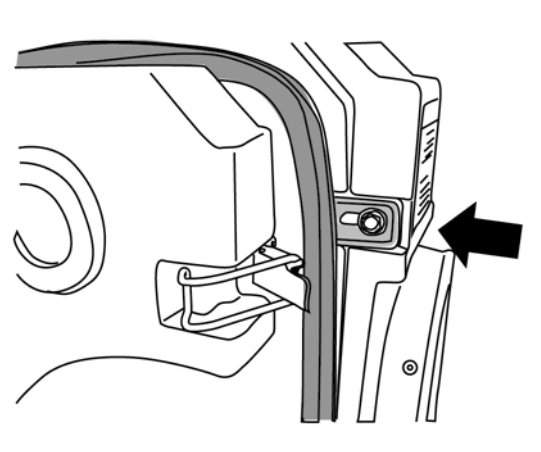


Fig. 5: Replacing the prefilters



Release the four spring clips (one shown here and lift off cover to access the prefilter(s).

Fig. 6: Replacing the HEPA filter



Remove the eight bolts and tabs (one shown here) and lift off cover to access the HEPA filter.

Change Light

The change light (Fig. 3) illuminates when you need to change the HEPA filter.

Electrical Outlets

You can “daisy chain” or interconnect up to 3 HEPA 500s to customize your air filtration needs. The unit can conduct a maximum of 12 amps when it is turned off, and 9 amps when it is turned on. That means you can plug other equipment into the unit, but the amperage is limited.

Setup

1. Unwrap the cord wrap completely
2. Place the HEPA 500 upright (vertical with handle at the top)
3. Plug in to a standard 115 volt outlet. Each HEPA 500 needs 3 amps to operate.
4. To switch the unit on, locate the control panel and turn the variable speed switch clockwise (see Fig. 1 “Speed Control” above). Then select either a maximum (500 CFM) or down to a minimum (250 CFM) airflow rate. To maintain the optimal air change rate, consult the IICRC S520 standards, 10.3.1.

Special Features

Daisy-chain capability

An onboard auxiliary power outlet allows for the connection of up to three HEPA 500 units to create a maximum of 500, 1000, or 1500 CFM.

Ducting options

The HEPA 500 has a standard ductable 12 in. inlet and a ductable 8 in. outlet, suitable for use with rigid and layflat ducting. See “Ducting Options,” p. 5, for descriptions of the ducting types available from Dri-Eaz.

Negative Pressure Setup

The HEPA 500 can be configured to set up a negative pressure containment area. Install the HEPA 500 outside the containment area to draw air out. Only professionals with the appropriate training should set up negative pressure containment areas.

Options for Storage and Operation

The HEPA 500 can be stacked up to two high for storage or operation. The handle of one unit fits snugly into the bottom of a second unit. The unit can also be operated on its back, with the outlet facing upward.

For storage, HEPA 500s may be stacked horizontally or vertically. Secure the unit properly when transporting.

About the filters

The HEPA 500 uses two types of disposable filters: prefilters and a HEPA filter. The prefilter section can be fitted with one or two filters. These prefilters are designed to capture larger airborne particles and to control odors, depending on the filter selected. The HEPA section (Position 3), is fitted with a filter designed to capture 99.97% of smaller particles down to 0.3 microns. See Fig. 7, Filter Positions, and “HEPA 500 Filter Configurations,” p. 5, for details.

Filters should be replaced whenever they show visible accumulation of dust. For environments with a high volume of aerosolized particles, we recommend the use of two prefilters to extend the life of the HEPA filter.

Always replace the HEPA filter promptly when the Filter Change Light illuminates. Do not attempt to vacuum and reuse the HEPA filter.

NOTICE: When using the HEPA 500 on remediation projects, the filters should be changed and properly disposed of after every job.

Replacement filters are available from your Dri-Eaz distributor.

MAINTENANCE

WARNING



WARNING! ELECTRIC SHOCK HAZARD.

Disconnect from electrical supply prior to servicing or cleaning.



WARNING! BREATHING HAZARD.

Always wear an appropriate NIOSH-approved respirator and personal protective equipment when removing or replacing filters, or when cleaning the HEPA 500.

Before each use

1. Inspect the electrical cord for damage, and do not use the unit if you find any fraying, cuts, etc. Contact your local Dri-Eaz distributor for service.

2. Test GFCI protection. Plug the unit in and turn it on. Now depress the blue GFCI Test button. If it is operating properly the machine will turn off and the red Reset button will pop up. Press the Reset button to resume normal operation.

As Needed

Clean housing and impeller. Lay the the unit on its back and loosen the four filter cover clamps (Fig. 5). Lift off the filter cover and remove any prefilters present. Use a 3/8 in. wrench to loosen the 8 retaining tab nuts holding the inlet panel in place. Slide the retaining tabs outward away from the center of the inlet panel, and lift off the inlet panel.

Always replace the HEPA filter promptly when the Filter Change Light illuminates. Do not attempt to vacuum and reuse the HEPA filter.

Filters

The **prefilters** should be inspected regularly and changed whenever dust has visibly accumulated on the filter surface.

The HEPA filter should be changed whenever the change filter light (Fig. 3) comes on.

See "HEPA 500 Filter Configurations," p. 5, for the available filter combinations.

Water damage restoration applications

Before each use

Look for accumulated dust and dirt that could restrict airflow through the filter into the unit. If any is visible, change out the pre-filter.

Remediation applications

- Wear NIOSH-approved protective gear when changing filters.
- Change filters after every remediation job.
- Change HEPA filter when the filter indicator light (Fig. 3) comes on.
- Dispose of used filters according to local regulations.
- Replace both the prefilters and HEPA filter to prevent cross-contamination.
- Clean the unit thoroughly (vacuum and damp wipe per *IICRC S520*, 10.11) after each job before removing it from the containment area to avoid cross-contamination. Pay particular attention to the area around the air intake. Let the unit dry before installing clean filters.

Filter access instructions

To inspect and change the prefilters, lay the unit flat on its back. Lift and release the four latches on the outlet panel and lift off the panel. Inspect and/or replace the prefilters as necessary.

After ensuring that the prefilter(s) are properly seated, replace the outlet panel, and re-engage the latches. The HEPA 500 is now ready to return to service.

To change the HEPA filter, lay the unit flat on its back, then use a 3/8 in. wrench to loosen the 8 retaining tab nuts holding the inlet panel in place. Slide the retaining tabs outward, away from the center of the inlet panel, and lift off the inlet panel.

Lift out the used HEPA filter and replace it with a new one. Do not clean and reuse the HEPA filter.

After making sure that the filter is properly seated, replace the inlet panel, slide the tabs back into place, and tighten the nuts. Do not overtighten. The HEPA 500 is now ready to return to service.

About DOP first-pass filtration efficiency

DOP (Dispersed Oil Particulate) first-pass efficiency refers to a standard procedure for testing the effectiveness of HEPA filtration. The DOP test introduces a dense cloud of extremely fine particulates into the filter under controlled conditions. DOP verification is required in certain settings.

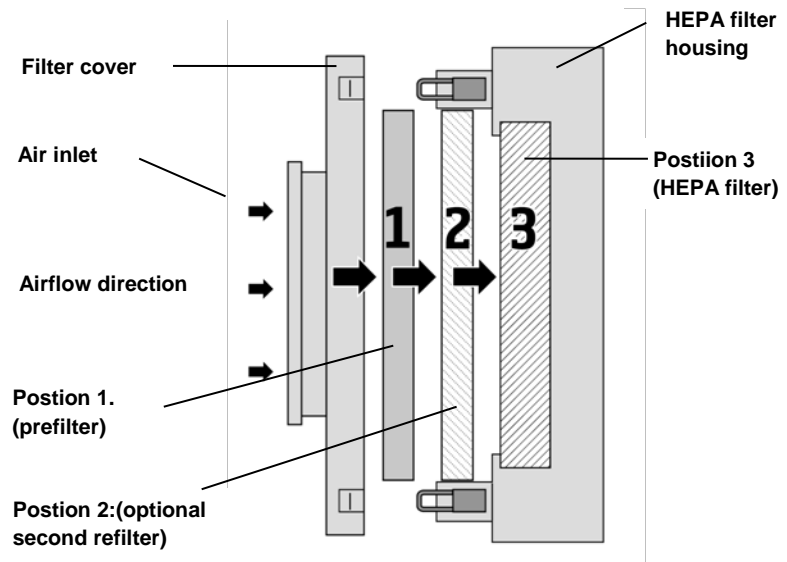
The addition of the DOP filter (F415) makes the HEPA 500 a high efficiency three-stage air filtration unit suitable for any job that requires first-pass HEPA filtration.

Install the DOP filter between the standard pre-filter and the HEPA primary filter. For odor control, the Activated Carbon Filter may be used together with the DOP filter. Simply replace the pre-filter with the carbon filter.

ADDITIONAL RESOURCES

- *Dri-Eaz Guide to Air Scrubbing*. Visit this [page](#) to download or order a copy.
- *S520: The Standard and Reference Guide for Professional Mold Remediation*, call the IICRC at 360-693-5675.
- Institute of Inspection, Cleaning and Restoration Certification (IICRC), 360-693-5675.
- Dri-Eaz website: www.dri-eaz.com
- Restoration Sciences Academy 800-932-3030 www.RestorationSciencesAcademy.com
- NIOSH help line 800-35-NIOSH. Respirator and respirator filter information.

Fig. 7: Filter Positions



HEPA 500 FILTER CONFIGURATIONS

Filtering requirements	PREFILTERS (Positions 1 & 2)		HEPA (Position 3)
	Clean water loss air scrubbing. For a relatively clean environment.	n/a	30% Prefilter (F271)
Standard air scrubbing. For environments with higher particle loads, such as construction or remodeling sites.	10% Prefilter (F270)	30% Prefilter (F271)	HEPA filter (F321)
First-pass efficiency air filtration. For use with a negative air setup during remediation of high risk contaminants and/or when DOP testing is required. See “About DOP First-Pass Filtration Efficiency,” p. 4.	30% Prefilter (F271)	DOP Prefilter (F415)	HEPA filter (F321)
Odor control and air filtration. For removing volatile organic compounds (VOCs), food odors, fumes from paint and paint thinners, sewer odors, and many other noxious odors.	Activated Carbon Filter (F397)	30% Prefilter (F271)	HEPA filter (F321)

FILTER DESCRIPTIONS

10% Prefilter (F270). Synthetic fiber filter media rated at 10% efficiency. Captures the largest particles to help extend the life of the higher efficiency filters inside. More product information [here](#).

30% Prefilter (F271). Synthetic fiber filter media rated at 30% efficiency. Captures larger particles to help extend the life of the HEPA filter. More product information [here](#).

Activated Carbon Filter (F397). The use of activated carbon in this filter allows the removal of a wide variety of compounds, including volatile organic compounds (VOCs), food odors, fumes from paint and paint thinners, sewer odors, and many other noxious odors. Combining activated carbon filtration with HEPA filtration is especially effective in removing airborne soot particles and the odors they create. More product information [here](#).

DOP Prefilter (F415). Use the DOP filter to ensure laboratory-rated performance for sensitive jobs requiring first-pass HEPA filtration. More product information [here](#).

HEPA filter (F321). The HEPA filter has an efficiency rating of 99.97% against 0.3 micron oily aerosol particles. More product information [here](#).

DUCTING OPTIONS

12 in. rigid ducting (Sto & Go Ducting, F405) for inlet. 25 feet of collapsible 12-inch ducting with a built-in protective case. Connect one or more sections. Packs into convenient carry case. More product information [here](#).

8 in. layflat ducting (F268) for outlet. Strong 4-mil poly ducting. 13 in. wide when flat; expands to 8.3 in. diameter when inflated. 500 feet per roll. Cut to length. More product information [here](#).

TROUBLESHOOTING

PROBLEM	CAUSE	SOLUTION
Unit does not operate	<ol style="list-style-type: none"> 1. No power to machine 2. Switch not turned on 3. No power at supply outlet 4. GFCI tripped 	<ol style="list-style-type: none"> 1. Plug in the unit; check power at outlet 2. Turn on the switch 3. Reset supply circuit breaker/GFCI 4. Reset unit circuit breaker/GFCI
Change light illuminated	<ol style="list-style-type: none"> 1. Primary (HEPA) filter is full 2. Air intake restricted by ducting bends, kinks, or excessive length 	<ol style="list-style-type: none"> 1. Replace the HEPA filter 2. Eliminate bends/kinks in ducting; reduce ducting length.

For any problems not described here, please contact your local distributor for assistance.

SPECIFICATIONS

Model	HEPA 500 (F284-115V)
Weight	44 lbs. 19.9 kg
Dimensions (D x W x H)	24.6 x 26.2 x 18.2 in. 62.5 x 66.5 x 46.2 cm
Duct sizes	Intake: 12 in. Outlet: 8 in.
Power	3A, 115V, 60 Hz
Air movement	250–500 CFM
Filter system	Up to two prefilters and one HEPA filter.
Controls	On/Off switch, variable speed control knob
Power cord length	25 ft. 7.63 m
Construction	Rotomolded polyethylene housing
Safety	UL/cUL listed
<i>Specifications are subject to change without notice. Some values may be approximate.</i>	



Manual del Usuario

DefendAir® Purificador de Aire HEPA 500

Modelo F284-115V

DRI-EAZ PRODUCTS, INC.

15180 Josh Wilson Road, Burlington, WA 98233

Teléfono: 800-932-3030 Fax: 36-757-7950 www.dri-eaz.com

El DefendAir HEPA 500 es un sistema de filtración portátil que extrae el aire desde el ambiente circundante y lo pasa a través de un avanzado sistema de filtración. La unidad elimina las partículas suspendidas en el aire, tales como el polvillo, esporas de moho, polen, caspa de mascotas y otros desechos, y también se la puede configurar para que elimine olores.

Patentes: <http://www.LBpatents.com>

LEA Y CONSERVE ESTAS INSTRUCCIONES

ADVERTENCIA

¡ADVERTENCIA! No alterar ni modificar de ninguna manera su HEPA 500. Utilice sólo repuestos autorizados por Dri-Eaz Products, Inc. Cualquier modificación o el uso de repuestos no autorizados podrían provocar un accidente y la nulidad de la garantía. Para obtener ayuda, póngase en contacto con su distribuidor autorizado de Dri-Eaz.



¡ADVERTENCIA! Peligro de electrocución, ventilador rotatorio, riesgo por superficies calientes. Para la limpieza o mantenimiento, desenchufe la unidad antes de abrir la cubierta. La unidad debe tener puesta a tierra.

- Inspeccione el cable de alimentación antes de su uso. Si está dañado, no lo use. Siempre tome del enchufe (no del cable) para desenchufar.
- Primero conecte de manera firme el cable a la base de la unidad, y luego enchúfelo al toma con puesta a tierra. No utilice adaptadores. Nunca corte la tercera pata. No utilice con un cable de prolongación.

Identificación de las partes

Entrada de aire con la tapa quitada. Calza conductos de 10 pulg.



Salida del aire filtrado. Calza conductos de 8 pulg.

Control de la velocidad

Tomas auxiliares y botones de Prueba GFCI y Reset.

ON / OFF y Botón de Reinicio de Disyuntor



Luz de Cambio del filtro HEPA

- Para evitar que los cables de energía tireen de la unidad, asegúrese de insertar con firmeza los enchufes y de trabar bien los cables en sus correspondientes clips al conectarlos en la parte posterior de la unidad.
- No intente reparar la unidad. Para conocer los Centros de Servicio Autorizados, consulte la sección "Cómo comprar" en www.dri-eaz.com o llame a Dri-Eaz al 800-932-3030. Si se daña el cable de alimentación, el mismo debe ser sustituido por el fabricante o por su agente de servicio o una persona debidamente calificada, para así evitar un peligro.

¡ADVERTENCIA!

- a) No operar ningún ventilador que tenga el cable o el enchufe dañados. Elimine el ventilador o devuélvalo a un centro de servicio autorizado para que sea examinado o reparado
- b) No despliegue el cable por debajo de alfombras. No lo cubra con alfombras, tapetes o cobertores similares. Tampoco se lo debe pasar por debajo de muebles o aparatos. Coloque el cable alejado de zonas de tránsito, de modo tal que no pueda provocar tropiezos.

Fig.1: Control de Velocidad

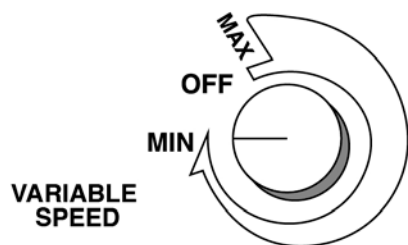
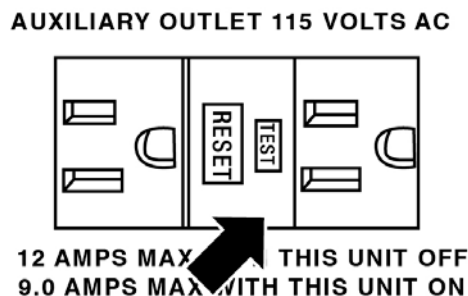


Fig. 2: GFCI, por sus siglas en inglés



INTRODUCCIÓN

El HEPA 500 utiliza una combinación de flujo de aire y filtración para generar un aire más limpio. Extrae el aire a través de dos tipos de filtros: un pre-filtro y un filtro HEPA. La primera etapa de filtración, captura las partículas más grandes. Cuando está equipado con el Filtro de Carbón Activado opcional, la primera etapa también puede adsorber una amplia variedad de compuestos de olor. La segunda capta partículas mucho más pequeñas, de hasta 0,3 micrones.

ANTES DE COMENZAR

Registro de la Garantía

Visite warranty.drieaz.com para registrar su compra. Esto nos permite ofrecerle ayuda en lo que hace al uso, mantenimiento o reparación de su equipo, y contactarle en caso de que tengamos información de seguridad importante con respecto a su producto Dri-Eaz. Si considera que se requiere una reparación, tenga a mano la información del modelo de su equipo, número de serie y comprobante original de compra, y llame a su distribuidor para que lo ayude a obtener una autorización de devolución de material (RMA).

SEGURIDAD ELÉCTRICA

El HEPA 500 tiene dos funciones diseñadas para proteger a la máquina y al operador de los riesgos eléctricos.

1. Disyuntor. El botón On/Off incorpora un disyuntor para proteger la máquina de una excesiva corriente eléctrica, apagándola de manera automática cuando circulen más de 12 amperios a través de los circuitos. Si salta el disyuntor, primero reduzca la cantidad de equipos conectados a la unidad principal a través de "conexión en cadena", y luego presione el interruptor On/Off para reiniciar.

2. GFCI. El HEPA 500 viene también equipado con un Interruptor por Falla de Puesta a Tierra (GFCI, por sus siglas en inglés). El GFCI ayuda a proteger al usuario contra las descargas eléctricas. Si el sistema detecta una falla a tierra, interrumpirá de modo instantáneo la corriente eléctrica. El GFCI también se disparará cuando se produce un cortocircuito o una sobrecarga.

AVISO: Si el GFCI se dispara, desconecte la unidad y busque los posibles riesgos eléctricos -agua

acumulada, cables desgastados o pelados-, cualquier cosa que pudiera causar un incremento de la corriente eléctrica. Una vez solucionados estos problemas, presione el botón rojo "Reset" y compruebe su correcto funcionamiento. Para aislar el problema, puede ser útil reubicar la unidad y conectarla a una toma diferente. Si el GFCI continúa disparándose después de haber resuelto los problemas obvios, póngase en contacto con su distribuidor Dri-Eaz para obtener ayuda.

APLICACIONES DEL HEPA 500

Daños por Agua

El uso del HEPA 500 en la zona afectada reducirá los niveles de partículas durante el proceso de restauración. En una situación normal de daños por agua Categoría 1, coloque el HEPA 500 en el medio de la zona afectada. Situaciones de daño por agua Categoría 2 y 3 pueden requerir contención por presión negativa y otras precauciones. Sólo profesionales con formación adecuada deben utilizar las técnicas de contención.

Saneamiento de Moho

La mayoría de los proyectos de saneamiento de moho requieren de contención. Así se evita la propagación de las esporas de moho y otros bioaerosoles. Utilice siempre el Filtro DOP (F415) opcional cuando use el HEPA 500, para así asegurar una filtración de primer paso en una instalación de contención; sólo un profesional con formación adecuada debe intentar realizar el saneamiento de moho.

Control de olores

Cuando se utiliza con el Filtro de Carbón Activado (F397) opcional, el HEPA 500 puede eliminar de manera eficaz diversos olores del aire de un ambiente interior, incluidos compuestos orgánicos volátiles (COV), olores de comida, vapores y disolventes de pintura, olores de alcantarillado, y muchos otros.

Fig. 3: Luz de Cambio de Filtro HEPA



Fig. 4: Botón On/Off y Disyuntor

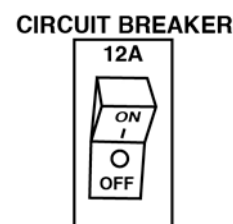
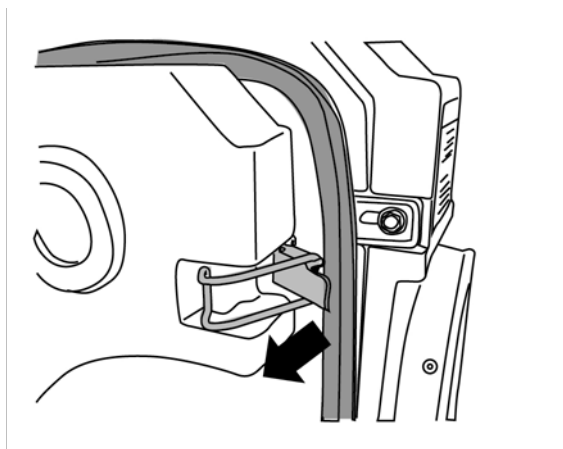
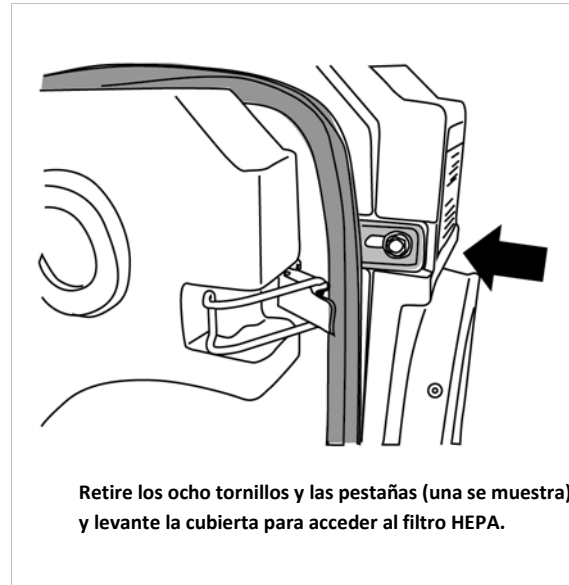


Fig. 5: Reemplazo de los prefiltros



Suelte los cuatro clips (uno se muestra aquí) y levante la cubierta para acceder a los prefiltros.

Fig. 6: Reemplazar el filtro HEPA



Retire los ocho tornillos y las pestañas (una se muestra) y levante la cubierta para acceder al filtro HEPA.

Otros usos incluyen la restauración de daños por fuego, control de polvillo, control de olores y remediación de aguas residuales. Éstas son aplicaciones especializadas y requieren de formación profesional. Para obtener más información acerca del uso del HEPA 500 en estas situaciones, consultar la *IICRC S520: Guía Estándar y de Referencia para el Saneamiento Profesional del Moho (IICRC, por sus siglas en inglés)*. Puede obtener un ejemplar de la IICRC llamando al 360-693-5675 o visitando el sitio www.IICRC.org. También puede ponerse en contacto con la Academia de Ciencias de Saneamiento, llamando al 800-932-3030, para obtener asesoría técnica y conocer sobre otras formaciones de la RSA.

PRECAUCIÓN: PELIGRO AL RESPIRAR



Cuando se utilice el HEPA 500 en una zona de contención, apague las fuentes de energía de todo equipo de combustión tales como chimeneas, calderas, hornos, calentadores de agua y sistemas de climatización, para así evitar el riesgo de retrogresión de gases de monóxido de carbono letales.

CONTROLES E INSTRUCCIONES DE USO

Perilla de control de Velocidad Variable

Aumente la velocidad del ventilador girando la perilla (Fig. 1) en sentido horario. La velocidad del ventilador se puede ajustar entre 250 y 500 CFM.

Luz de Cambio

Se enciende cuando (Fig. 3) es necesario reemplazar el filtro HEPA.

Enchufes eléctricos

Puede conectar "en cadena" o interconectar hasta 3 HEPA 500, para adaptarse a sus necesidades de filtrado de aire. La unidad puede conducir un máximo de 12 amperios cuando está apagada, y de 9 amperios cuando está encendida. Eso significa que usted podrá conectar otros equipos en la unidad, pero el amperaje es limitado.

Ajustes

1. Libere por completo la envoltura de cable
2. Coloque el HEPA 500 en posición vertical (vertical con la manija en la parte superior)

3. Conecte a un toma de 115 voltios estándar. Cada HEPA 500 necesita 3 amperios para operar.

4. Para encender la unidad, localice el panel de control y gire a la derecha el interruptor de velocidad variable (ver arriba Fig. 1 "Control de velocidad"). Luego seleccione el máximo caudal de aire (500 CFM) o bájelo hasta el mínimo (250 CFM). Para mantener el nivel óptimo de reemplazo de aire, consulte las normas IICRC S520, 10.3.1.

Características especiales

Capacidad de conexión en cadena

El tomacorriente auxiliar incorporado permite la conexión de hasta tres unidades HEPA 500, permitiendo un máximo de 500, 1000 o 1500 CFM.

Opciones de conductos

El HEPA 500 tiene una entrada estándar canalizable de 12 pulgadas, y una salida de 8 pulgadas, adecuadas para su uso con conductos rígidos y chatos. Consulte "Opciones de Ductos", p. 5, donde encontrará la descripción de los tipos de conductos disponibles en Dri-Eaz.

Configuración de Presión Negativa

El HEPA 500 puede ser configurado para establecer una zona de contención de presión negativa. Instale el HEPA 500 fuera de la zona de contención para extraer el aire. Sólo profesionales con formación adecuada deben establecer zonas de contención de presión negativa.

Opciones para el almacenamiento y la Operación

Los HEPA 500 pueden ser apilados hasta el doble de su altura para su almacenamiento u operación. El mango de una unidad encaja perfectamente en la parte inferior de una segunda. La unidad también puede funcionar apoyada sobre su parte posterior, con la salida hacia arriba. Para su almacenamiento, los HEPA 500 pueden ser apilados horizontal o verticalmente. Asegure la unidad de manera adecuada durante su transporte.

Acerca de los filtros

El HEPA 500 utiliza dos tipos de filtros desechables: los prefiltros y el filtro HEPA. La sección de prefiltros puede estar equipada con uno o dos filtros. Éstos se hallan diseñados para capturar las partículas del aire más grandes y para controlar los

olores, según el filtro seleccionado. La sección de HEPA (Posición 3), está equipada con un filtro diseñado para capturar 99,97% de partículas menores a 0,3 micrones. Ver Fig. 7, Posiciones de Filtros, y "Configuraciones de Filtros del HEPA", pág. 11.

Los filtros deben ser sustituidos cada vez que muestren una visible acumulación de polvillo. Para entornos con un alto volumen de partículas suspendidas, se recomienda usar dos prefiltros para así extender la vida del filtro HEPA.

Siempre reemplace el filtro HEPA con prontitud, ni bien se encienda la Luz de Cambio de Filtro. No intente pasar la aspiradora y reutilizar el filtro HEPA.

AVISO: Cuando se utiliza el HEPA 500 en proyectos de remediación, los filtros se deben cambiar y desechar adecuadamente después de cada trabajo.

Filtros de repuesto disponibles en su distribuidor Dri-Eaz.

MANTENIMIENTO

ADVERTENCIA



¡ADVERTENCIA! PELIGRO DE DESCARGA ELÉCTRICA Desconecte la alimentación eléctrica antes toda reparación o limpieza.



¡ADVERTENCIA! PELIGRO AL RESPIRAR Al retirar o sustituir los filtros o al limpiar el filtro del HEPA 500, utilice siempre un adecuado respirador aprobado por la NIOSH, y equipo de protección personal.

Antes de cada uso

1. Verifique si el cable eléctrico presenta daños, y no utilice la unidad en caso de encontrarlo deshilachado, con cortes, etc. Póngase en contacto con su distribuidor local de Dri-Eaz para su reparación.

2. Prueba de protección GFCI. Enchufe la unidad y enciéndala. Ahora presione el botón azul de prueba del GFCI. Si funciona correctamente, la máquina se apagará y aparecerá el botón rojo de reinicio. Pulse el botón de reinicio para reanudar el normal funcionamiento.

Según sea necesario

Limpie la carcasa y el impulsor. Apoye la unidad sobre su parte posterior y afloje las cuatro abrazaderas de la tapa de filtros (Fig. 5). Levante la tapa del filtro y quite los prefiltros que allí se encuentren. Use una llave de 3/8 para aflojar las 8 tuercas de retención que sujetan en su lugar el panel de entrada. Deslice las lengüetas de retención hacia el exterior desde el centro del panel de entrada y levante el panel.

Siempre reemplace el filtro HEPA con prontitud, ni bien se encienda la Luz de Cambio de Filtro. No intente pasarle la aspiradora para reutilizar el filtro HEPA.

Filtros

Los **prefiltros** deben ser inspeccionados regularmente y reemplazados ni bien se haya acumulado polvillo en la superficie del filtro de manera visible.

El filtro HEPA debe cambiarse cada vez que se enciende la luz de cambio de filtro. (Fig. 3)

Consulte "Configuraciones de Filtro HEPA 500", pág. 11, para conocer las combinaciones disponibles.

Aplicaciones de restauración de daños por agua

Antes de cada uso

Verifique si hay polvillo o suciedad acumulados que pudieran restringir el flujo de aire a través del filtro de la unidad. Si hubiera algo visible, cambie el pre-filtro.

Aplicaciones de remediación

- Al cambiar los filtros, utilice equipo de protección personal aprobado por la NIOSH.
- Cambie los filtros después de cada trabajo de remediación.
- Cambiar el filtro HEPA cuando se encienda la luz del indicador del filtro (Fig. 3)
- Deseche los filtros usados cumpliendo las normativas locales.
- Reemplace los prefiltros y filtro HEPA, para así prevenir la contaminación cruzada.
- Después de cada trabajo y antes de retirar la unidad de la zona de contaminación, límpiela por completo (aspirar y limpiar con trapo húmedo, según *IIIRC S520*, 10.11), para así evitar la contaminación cruzada. Preste especial atención a la zona alrededor de la entrada de aire. Deje que la unidad se seque antes de instalar filtros nuevos.

Instrucciones para acceder a los filtros

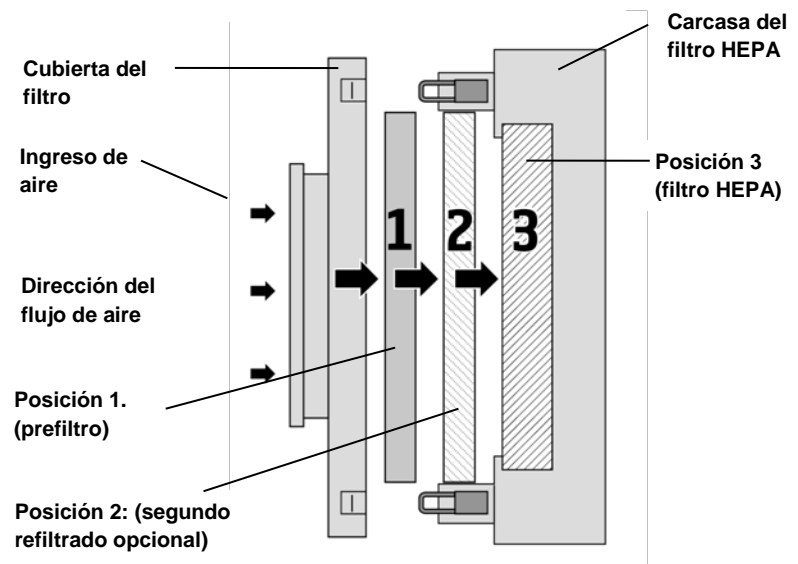
Para inspeccionar y modificar los prefiltros, apoye la unidad sobre su parte posterior. Levante y suelte los cuatro pestillos del panel de salida y levante el panel. Inspeccione y/o reemplace los prefiltros, según sea necesario.

Tras asegurarse de que los prefiltros se hallan correctamente colocados, vuelva a poner el panel de salida y enganche los pestillos. El HEPA 500 ya está listo para volver al ser usado.

Para cambiar el filtro HEPA, apoye la unidad sobre su parte posterior, luego use una llave de 3/8 para aflojar las 8 tuercas que sujetan el panel de entrada. Deslice las lengüetas de retención hacia el exterior desde el centro del panel de entrada y levante el panel.

Saque el filtro HEPA usado y reemplácelo por uno nuevo. No

Fig. 7: Posiciones de filtrado



limpiar y reutilizar el filtro HEPA.

Después de asegurarse de que el filtro está instalado correctamente, vuelva a colocar el panel de entrada, deslice las pestañas en su lugar, y ajuste las tuercas. No ajustar en exceso. El HEPA 500 ya está listo para volver al ser usado.

Acerca de la eficiencia de la filtración de primer paso DOP

La eficiencia de primer paso DOP (Partículas Dispersas de Aceite) se refiere a un procedimiento estándar para verificar la eficacia de filtrado HEPA. La verificación DOP consiste en introducir una densa nube de partículas extremadamente finas dentro del filtro, bajo condiciones controladas. Para ciertos ambientes se requiere la verificación DOP.

El agregado de un filtro DOP (F415) convierte al HEPA 500 en una unidad de filtración de tres etapas de alta eficiencia, adecuada para cualquier trabajo que requiera filtrado HEPA de primer paso.

Instale el filtro DOP entre el pre-filtro estándar y el filtro principal HEPA. Para el control del olor, se puede usar el Filtro de Carbón Activado junto con el filtro DOP. Sólo se tiene que reemplazar el pre-filtro con el filtro de carbón.

RECURSOS ADICIONALES

- *Guía Dri-Eaz de Purificado de Aire*. Visite esta [página](#) para descargar o solicitar un ejemplar.
- *S520: Guía estándar y de referencia para el saneamiento profesional de moho*, llame a la IICRC al 360-693-5675.
- Instituto de Inspección, Limpieza y Certificación de Restauración (IICRC), 360-693-5675.
- Sitio web de Dri-Eaz: <http://www.dri-eaz.com>
- Academia de Ciencias de la Restauración 800-932-3030 www.RestorationSciencesAcademy.com
- Línea de ayuda NIOSH: 800-35-NIOSH. Respirador e información sobre filtro respirador.

CONFIGURACIONES DE FILTRO HEPA 500

Requisitos de filtrado	Prefiltros (posiciones 1 y 2)		HEPA (Posición 3)
	Purificación de aire por pérdida de agua limpia. Para un ambiente relativamente limpio.	n/a	Prefiltro 30% (F271)
Depuración de aire estándar. Para entornos con mayores cargas de partículas, como la construcción o remodelación de sitios.	Prefiltro 10% (F270)	Prefiltro 30% (F271)	Filtro HEPA (F321)
Filtración de aire con eficiencia de primer paso. Para uso con una configuración de aire negativa durante la remediación de contaminantes de alto riesgo y/o cuando se requiera de una verificación DOP. Consulte "Acerca de Eficiencia de Filtración DOP de Primer Paso", p. 4.	Prefiltro 30% (F271)	Prefiltro DOP (F415)	Filtro HEPA (F321)
Control de olores y filtración de aire. Para la eliminación de compuestos orgánicos volátiles (COV), olores de comida, vapores y disolventes de pintura, olores de alcantarillado, y muchos otros olores nocivos.	Filtro de Carbón Activado (F397)	Prefiltro 30% (F271)	Filtro HEPA (F321)

DESCRIPCIONES DE FILTROS

Prefiltro 10% (F270) Sistema de filtro de fibra sintética, con eficiencia del 10%. Captura las partículas más grandes para ayudar a extender la vida de los filtros de mayor eficiencia en el interior. Más información del producto [aquí](#).

Prefiltro 30% (F271) Sistema de filtro de fibra sintética, con eficiencia del 30%. Captura partículas más grandes para ayudar a prolongar la vida útil del filtro HEPA. Más información del producto [aquí](#).

Filtro de Carbón Activado (F397) El uso del carbón activado de este filtro permite la eliminación de una amplia variedad de compuestos, incluyendo compuestos orgánicos volátiles (COV), olores de alimentos, vapores y disolventes de pintura, olores de alcantarillado, y muchos otros olores nocivos. La combinación de la filtración de carbón activado con el HEPA resulta especialmente eficaz para la eliminación de partículas de hollín en el aire y los olores que generan. Más información del producto [aquí](#).

Prefiltro DOP (F415) Utilice el filtro DOP para garantizar un rendimiento nominal de laboratorio para trabajos delicados que requieran de filtración HEPA de primer paso. Más información del producto [aquí](#).

Filtro HEPA (F321) El filtro HEPA tiene un índice de eficiencia del 99,97% frente a partículas de aerosoles aceitosos de 0,3 micrones. Más información del producto [aquí](#).

OPCIONES DE CONDUCTOS

Conducto rígido de 12 pulg. (Sto & Go Ducting, F405) para la entrada. Conductos plegables de 25 pies por 12 pulgadas con un estuche protector incorporado. Conecte una o más secciones. Los paquetes vienen en una práctica funda para su transporte. Más información del producto [aquí](#).

Conductos chatos de 8 pulg. (F268) para la salida. Conductos sólidos de poli 4-mil. 13 pulgadas de ancho cuando está chato, se expande a 8,3 pulg. de diámetro cuando está inflado. 500 pies por rollo. Corte a medida. Más información del producto [aquí](#).

RESOLUCIÓN DE PROBLEMAS

PROBLEMA	CAUSA	SOLUCIÓN
La unidad no funciona	<ol style="list-style-type: none"> 1. No llega energía a la máquina 2. Interruptor no activado 3. No hay corriente en la salida de suministro 4. GFCI disparado 	<ol style="list-style-type: none"> 1. Conecte la unidad; verifique que haya energía en la salida 2. Encienda el interruptor 3. Restablecer el Disyuntor/GFCI 4. Restablecer el Disyuntor/GFCI
Se encendió la luz de cambio	<ol style="list-style-type: none"> 1. El filtro primario (HEPA) está lleno 2. Entrada de aire restringida por pliegues, torceduras o longitud excesiva de los ductos 	<ol style="list-style-type: none"> 1. Reemplace el filtro HEPA 2. Eliminar los pliegues/torceduras en los conductos; reducir la longitud de los mismos.
<p><i>Por cualquier problema que aquí no se halle descrito, póngase en contacto con su distribuidor local para obtener asistencia.</i></p>		

ESPECIFICACIONES

Modelo	HEPA 500 (F284-115V)
Peso	44 libras 19,9 kg
Dimensiones (Prof. x An. x Al.)	24,6 x 26,2 x 18,2 pulg. 62,5 x 66,5 x 46,2 cm
Tamaños de conductos	Entrada: Salida de 12 pulg.: 8 pulg.
Potencia	3A, 115V, 60 Hz
Movimiento del aire	250-500 CFM
Sistema de filtros	Hasta dos prefiltros y un filtro HEPA.
Controles	Perilla On/Off, botón de control de velocidad variable
Longitud del cable de alimentación	25 pies 7,63 m.
Construcción	Carcasa de polietileno rotomoldeado
Seguridad	Listado UL / cUL
<p><i>Las especificaciones del producto están sujetas a cambios sin previo aviso. Algunos valores pueden ser aproximados.</i></p>	



Manuel du propriétaire

Purificateur d'air DefendAir® HEPA 500

Modèle F284-115V

DRI-EAZ PRODUCTS, INC.

15180 Josh Wilson Road, Burlington, WA 98233

Téléphone : 800-932-3030 Télécopieur : 36-757-7950 www.dri-eaz.com

Le DefendAir HEPA 500 est un système de filtration portatif qui aspire l'air depuis l'environnement ambiant et le fait passer à travers un système de filtration de pointe. L'appareil élimine les particules comme la poussière, les spores de moisissure, le pollen, les squames d'animaux et d'autres débris, et peut également être configuré pour éliminer les odeurs.

Brevets : <http://www.LBpatents.com>

LIRE ET CONSERVER CES INSTRUCTIONS

AVERTISSEMENT

AVERTISSEMENT! Ne jamais altérer ou modifier d'aucune façon votre appareil HEPA 500. Utiliser uniquement des pièces de rechange autorisées par Dri-Eaz Products Inc. Les modifications ou l'utilisation de pièces non approuvées pourraient créer un danger et annuleront votre garantie. Pour obtenir de l'assistance, contactez votre distributeur Dri-Eaz agréé.



AVERTISSEMENT! Risque de choc électrique, pales de ventilateur en rotation, surface chaude. Débrancher l'appareil avant d'ouvrir le couvercle pour le nettoyage ou l'entretien. L'Appareil être mis à la terre.

- Inspecter le cordon d'alimentation avant l'utilisation. Si le cordon est endommagé, ne pas utiliser l'appareil. Pour

débrancher l'appareil, toujours saisir la fiche (pas le cordon).

- Brancher le cordon fermement dans la base de l'appareil d'abord, puis dans une prise reliée à la terre électriquement. Ne pas utiliser un adaptateur. Ne jamais couper la troisième broche. Ne pas utiliser une rallonge.
- Pour éviter que le cordon d'alimentation ne fasse tomber l'appareil, veillez à insérer les fiches à fond et de ranger le cordon proprement dans les clips prévus à l'arrière de l'appareil.
- Ne pas tenter de réparer l'appareil. Pour les centres de service autorisés, consulter la rubrique « Comment acheter » à www.dri-eaz.com ou appelez Dri-Eaz au 800-932-3030.

Si le cordon d'alimentation est endommagé, il doit être remplacé par le fabricant, son agent de service ou une personne qualifiée afin d'éviter les risques.

Identification des pièces



L'entrée d'air avec le capuchon de la prise d'air enlevé.

Contrôle de la vitesse

Prises de courant auxiliaires et boutons de test GFCI et de réinitialisation.

Interrupteur Marche / Arrêt, bouton de réinitialisation

Sortie de l'air filtré. S'adapte à des conduits de 8 po (25,4 cm).

Voyant de remplacement du filtre HEPA



Figure 1 : Contrôle de la vitesse

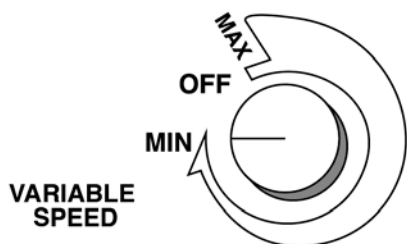
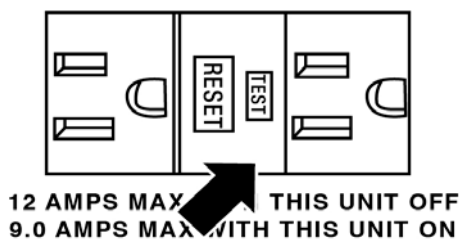


Figure 2 : Interrupteur Marche / Arrêt et disjoncteur



AVERTISSEMENT!

a) Ne faites pas fonctionner un ventilateur avec un câble ou une prise endommagée. Mettez le ventilateur au rebut ou retournez-le à un service après-vente agréé pour examen et/ou réparation.

b) N'acheminez pas le câble sous une moquette. Ne couvrez pas le câble avec un tapis ou autre. Ne faites pas passer le câble sous des meubles ou des appareils. Éloignez le câble des zones de passage pour éviter qu'on ne marche dessus.

INTRODUCTION

Le L'appareil HEPA 500 utilise une combinaison de flux d'air et de filtration pour créer un air plus propre. L'appareil fait passer l'air à travers deux types de filtres - un pré-filtre et un filtre HEPA. La première étape de filtration retient les particules plus grandes. Lorsqu'il est équipé avec le filtre à charbon actif, en option, la première étape peut également adsorber une grande variété de composés odorants. La deuxième étape de filtration retient les particules plus petites allant jusqu'à 0,3 micron.

AVANT DE COMMENCER

Enregistrement de la garantie

Visiter warranty.drieaz.com pour enregistrer votre achat. L'enregistrement nous permet de mieux vous aider à utiliser, entretenir ou réparer votre appareil et de vous contacter si nécessaire lorsque nous avons des informations de sécurité importantes concernant votre produit Dri-Eaz. Si vous constatez qu'une réparation est nécessaire, munissez-vous du modèle de votre appareil, du numéro de série et de la preuve d'achat originale avant d'appeler votre distributeur afin d'obtenir une autorisation de retour de matériel (RMA).

SÉCURITÉ ÉLECTRIQUE

Le 500 HEPA dispose de deux fonctionnalités conçues pour protéger l'appareil et l'opérateur contre les dangers électriques.

1. Disjoncteur. L'interrupteur Marche / Arrêt dispose d'un disjoncteur intégré qui protège l'appareil contre un courant électrique excessif en éteignant automatiquement l'appareil lorsqu'un courant de plus de 12 ampères passe à travers les circuits de l'appareil. Si le disjoncteur se déclenche, tout d'abord réduire le nombre d'appareils connectés en série à l'appareil principal, puis appuyer sur l'interrupteur Marche / Arrêt pour réinitialiser l'appareil.

2. GFCI. Le L'appareil HEPA 500 est également équipé d'un disjoncteur de fuite à la terre (GFCI). Le GFCI aide à

protéger l'utilisateur contre les chocs électriques. Si le système détecte un défaut à la terre, le disjoncteur CGFI t interrompra instantanément le courant électrique. Le GFCI se déclenchera également si un court-circuit ou une surcharge survient.

AVIS : Si le disjoncteur se déclenche, débrancher l'appareil, et chercher si des dangers électriques potentiels existent - l'eau stagnante, cordons usés ou effilochés - tout ce qui pourrait provoquer une surtension. Une fois que ces problèmes ont été réglés, appuyez sur le bouton rouge « Reset » (réinitialisation) et vérifiez le bon fonctionnement de l'appareil. Pour isoler le problème, brancher l'appareil dans une prise différente. Si le disjoncteur continue à se déclencher après que vous avez réglé les problèmes qui sont évidents, veuillez contacter votre distributeur Dri-Eaz pour obtenir de l'assistance.

APPLICATIONS DE L'APPAREIL HEPA 500

Dégâts causés par l'eau

L'utilisation de l'appareil HEPA 500 à l'intérieur de la zone affectée permettra de réduire les niveaux de particules au cours du processus de restauration. Dans une situation standard de dégâts d'eau de catégorie 1, placer l'appareil HEPA 500 dans le milieu de la zone touchée. Les situations de dégâts d'eau de catégorie 2 et 3 peuvent nécessiter de créer une zone de confinement en pression négative et d'autres précautions. Seuls les professionnels avec la formation appropriée doivent utiliser des techniques de confinement.

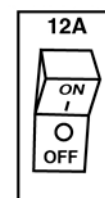
Élimination de la moisissure

La plupart des projets d'assainissement de moisissure nécessitent la configuration d'une zone de confinement. Le confinement empêche la propagation des spores de

Figure 3 : Voyant de remplacement du filtre HEPA



Figure 4 : Interrupteur Marche / Arrêt et disjoncteur



moisissures et autres bioaérosols. Lors de l'utilisation de l'appareil HEPA 500, toujours utiliser le filtre DOP (F415) en option pour assurer une filtration lors de la première passe dans une configuration de confinement, seul un professionnel avec la formation appropriée devrait tenter l'élimination de la moisissure.



Contrôle des odeurs

Lorsqu'il est utilisé avec le filtre à charbon actif (F397) en option, l'appareil HEPA 500 permet d'éliminer efficacement de nombreuses odeurs de l'air d'un environnement intérieur, y compris les composés organiques volatils (COV), odeurs de nourriture, vapeurs de peinture, diluants de peinture, les odeurs d'égouts, et beaucoup d'autres.

D'autres utilisations incluent la restauration des dégâts causés par le feu, contrôle de la poussière, contrôle des odeurs et l'assainissement des eaux usées. Ce sont des applications spécialisées et nécessitent une formation professionnelle. Pour plus d'informations sur l'utilisation de l'appareil HEPA 500 dans ces situations, consulter le *IICRC S520 : The Standard and Reference Guide for Professional Mold Remediation*. Vous pouvez obtenir une copie de l'IICRC en appelant le 360-693-5675 ou visitant leur site Web à www.IICRC.org. Pour obtenir des conseils techniques et en apprendre davantage sur les classes RSA, vous pouvez également contacter la Restoration Sciences Academy au 800-932-3030

AVERTISSEMENT : RISQUE RESPIRATOIRE

Lorsque vous utilisez l'appareil HEPA 500 dans une zone de confinement, éteignez toutes les sources d'alimentation aux appareils de combustion tels que les cheminées, chaudières, fours, chauffe-eau et les systèmes de CVC afin d'éviter le risque de refoulement des vapeurs mortelles de monoxyde de carbone.

COMMANDES ET MODE D'EMPLOI

Bouton de commande de vitesse variable

Augmenter la vitesse du ventilateur en tournant le bouton dans le sens des aiguilles d'une montre (Fig. 1) La vitesse du ventilateur peut être réglée entre 250 et 500 PCM.

Le voyant de remplacement s'allume lorsque vous avez besoin de remplacer le filtre HEPA. (Fig. 3)

Prises électriques

Vous pouvez connecter en série jusqu'à 3 appareils HEPA 500 pour personnaliser vos besoins de filtration d'air. L'appareil peut conduire un maximum de 12 ampères quand il est éteint, et 9 ampères quand il est allumé. Cela signifie que vous pouvez brancher d'autres appareils à l'appareil, mais le courant est limité.

Installation

1. Dérouler le cordon complètement
2. Placer l'appareil HEPA 500 debout (en position verticale, avec la poignée en haut)
3. Brancher à une prise de 115 volts standard. Chaque appareil HEPA 500 a besoin de 3 ampères pour fonctionner.
4. Pour allumer l'appareil, localiser le panneau de commande et tourner l'interrupteur à vitesse variable dans le sens des aiguilles d'une montre (voir Fig. 1 « Contrôle de la vitesse » ci-dessus). Ensuite, sélectionner un débit d'air maximum (500 PCM) ou minimum (250 PCM). Pour maintenir le taux optimal

07-01489E F284-115V

de renouvellement de l'air, consulter les normes IICRC S520, 10.3.1.

Fonctionnalités spéciales

Possibilité d'installation en série

Une prise de courant auxiliaire intégrée permet la connexion d'un maximum de trois appareils HEPA 500 pour créer un maximum de 500, 1000 ou 1500 PCM.

Options de conduits

L'appareil HEPA 500 dispose d'une entrée standard pour conduit de 12 po (30,4 cm) et d'une sortie standard pour conduit de 8 po (20,3 cm), le deux adaptées pour une utilisation avec des conduits rigides et plats. Voir « Options de conduits » page 5, pour une description des types disponibles à partir Dri-Eaz.

Configuration de pression négative

L'appareil HEPA 500 peut être configuré pour placer une zone de confinement en pression négative. Installer l'appareil HEPA 500 en dehors de la zone de confinement pour aspirer l'air vers l'extérieur. Seuls les professionnels avec la formation appropriée doivent créer des zones de confinement en pression négative.

Options pour le stockage et l'exploitation

Deux appareils HEPA 500 peuvent être empilés pour le stockage ou le fonctionnement. La poignée d'un appareil s'enclenche parfaitement dans la base d'un deuxième appareil. L'appareil peut également être utilisé sur son dos, avec la sortie orientée vers le haut.

Pour le stockage, les appareils HEPA 500 peuvent être empilés horizontalement ou verticalement. Fixez correctement l'appareil avant le transport.

À propos des filtres

L'appareil HEPA 500 utilise deux types de filtres jetables: pré-filtres et un filtre HEPA. La section du pré-filtre peut être équipée d'un ou deux filtres. Ces pré-filtres sont conçus pour capturer des particules aéroportées plus grosses et pour contrôler les odeurs, selon le filtre sélectionné. La section HEPA (position 3), est munie d'un filtre conçu pour capturer 99,97% des particules de taille inférieure à 0,3 micron. Pour plus de détails, voir la figure « Positions des filtres et configuration du filtre HEPA 500 » à la page 17.

Les filtres doivent être remplacés chaque fois qu'une accumulation de poussière est visible. Pour les environnements avec un volume élevé de particules d'aérosol, nous recommandons l'utilisation de deux pré-filtres pour prolonger la durée de vie du filtre HEPA.

Toujours remplacer le filtre HEPA rapidement lorsque le voyant de remplacement du filtre s'allume. Ne tentez pas d'aspirer et de réutiliser le filtre HEPA.

AVIS : Lorsque vous utilisez l'appareil HEPA 500 dans des projets d'assainissement, les filtres doivent être changés et éliminés de manière appropriée après chaque projet.

Les filtres de remplacement sont disponibles auprès de votre distributeur Dri-Eaz.

ENTRETIEN



AVERTISSEMENT! RISQUE DE CHOC

ÉLECTRIQUE. Déconnecter l'alimentation électrique avant l'entretien ou le nettoyage.



AVERTISSEMENT! RISQUE RESPIRATOIRE

Lorsque vous retirez, remplacez ou nettoyez le filtre HEPA, vous devez toujours porter un respirateur approprié et approuvé par NIOSH et un équipement

de protection personnelle.

Avant chaque utilisation

1. Inspecter le cordon électrique pour dommages, et ne pas utiliser l'appareil si le cordon est effiloché, coupé, etc., contactez votre distributeur Dri-Eaz local pour l'entretien.

2. Test de la protection GFCI. Brancher l'appareil et l'allumer. Puis appuyer sur le bouton bleu GFCI test. Si le GFCI fonctionne correctement, l'appareil s'éteindra et le bouton rouge de réinitialisation apparaîtra Appuyez sur le bouton de réinitialisation pour remettre l'appareil en marche.

Au besoin

Nettoyer le boîtier et la roue à aubes. Poser l'appareil sur le dos et desserrer les quatre pinces de la couverture du filtre (Fig. 5). Soulever le couvercle du filtre et retirer les pré-filtres qui sont présents. Utilisez une clé de 3/8 po pour desserrer les 8 écrous des pattes qui maintiennent le panneau d'entrée en place. Faites glisser les pattes de retenue vers l'extérieur du centre du panneau d'entrée, et soulever le panneau d'entrée. Toujours remplacer rapidement le filtre HEPA lorsque le voyant de remplacement du filtre s'allume. Ne tentez pas d'aspirer et de réutiliser le filtre HEPA.

Filtres

Les **pré-filtres** doivent être inspectés régulièrement et remplacés chaque fois que la poussière accumulée sur la surface du filtre est visible. Le filtre HEPA doit être changé chaque fois que le voyant de remplacement de filtre s'allume (Fig. 3).

Pour les combinaisons de filtres disponibles, se référer à « Configuration du filtre de l'appareil HEPA 500 », à la page 17.

Applications d'assèchement après des dégâts d'eau

Avant chaque utilisation

Vérifiez si de la poussière et saleté se sont accumulées sur le filtre, car elles pourraient restreindre le débit d'air à l'appareil. Si la poussière ou la saleté visible, remplacer le pré-filtre.

Applications d'assainissement

- Lorsque vous remplacez les filtres, portez un équipement de protection approuvé par NIOSH.
- Remplacer les filtres après chaque projet d'assainissement.
- Remplacer le filtre HEPA lorsque le voyant de remplacement du filtre est allumé (Fig. 3).
- Éliminer les filtres usagés conformément aux réglementations locales.
- Remplacer les pré-filtres et le filtre HEPA afin de prévenir la contamination croisée.
- Nettoyer soigneusement l'appareil (aspirer et essuyer avec un chiffon humide selon la norme IICRC S520, 10.11) après chaque projet avant de le retirer de la zone de confinement afin d'éviter la contamination croisée. Porter une attention particulière à la zone autour de l'entrée d'air. Laisser sécher l'appareil avant d'installer des filtres propres.

instructions d'accès au filtre

Pour vérifier et remplacer les pré-filtres, poser l'appareil à plat sur le dos. Soulever et de libérer les quatre verrous

qui se trouvent sur le panneau de sortie et soulever le panneau. Inspecter et/ou remplacer les pré-filtres au besoin.

Après s'être assuré que le(s) pré-filtre(s) est bien en place, replacer le panneau de sortie, et réengager les verrous. L'appareil HEPA 500 est maintenant prêt à reprendre le service.

Pour remplacer le filtre HEPA, poser l'appareil à plat sur le dos, puis utiliser une clé de 3/8 po pour desserrer les 8 écrous de retenue des pattes qui maintiennent le panneau d'entrée en place. Faites glisser les pattes de retenue vers l'extérieur du centre du panneau d'entrée, et soulever le panneau d'entrée.

Retirer le filtre HEPA usagé et le remplacer par un nouveau. Ne tentez pas d'aspirer et de réutiliser le filtre HEPA. Après s'être assuré que le filtre est bien en place, replacer le panneau d'entrée, faire glisser les pattes en place, et serrer les écrous. Ne pas trop serrer. L'appareil HEPA 500 est maintenant prêt à reprendre le service.

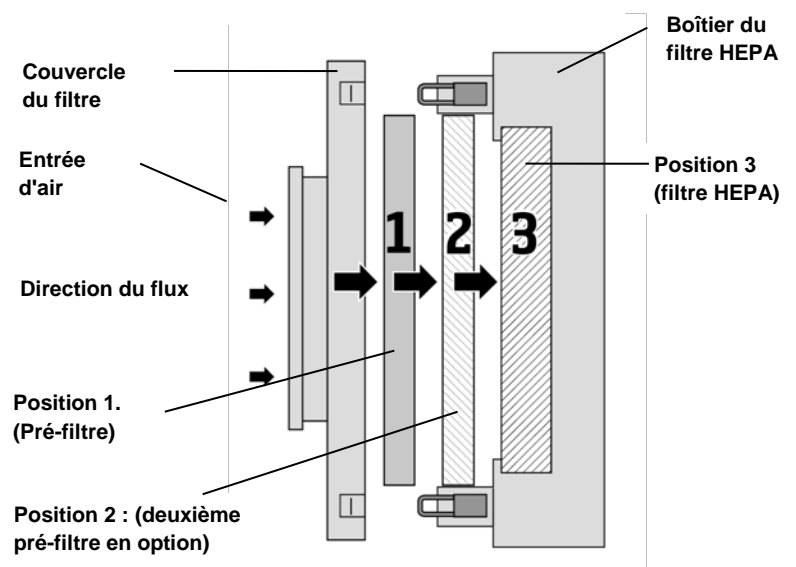
À propos de l'efficacité de première passe de filtration DOP

L'efficacité première passe de filtration DOP (particules d'huile dispersées) se réfère à une procédure standard pour tester l'efficacité de la filtration HEPA. Le test DOP introduit, dans des conditions contrôlées, un nuage dense de particules extrêmement fines dans le filtre. La vérification DOP est obligatoire dans certaines configurations.

L'ajout du filtre de DOP (F415) fait de l'appareil HEPA 500 un appareil de filtration d'air de haute efficacité à trois étages approprié pour tout projet qui exige d'abord une première passe de filtration HEPA.

Installer le filtre DOP entre le pré-filtre standard et le filtre principal HEPA. Pour le contrôle des odeurs, le filtre à charbon actif peut être utilisé avec le filtre DOP. Il suffit de remplacer le pré-filtre et le filtre à charbon en même temps.

Figure 7 : Positions des filtres



Configurations du filtre de l'appareil HEPA 500

Exigences de filtrage	Pré-filtres (positions 1 et 2)		HEPA (positions 3)
	Purificateur d'air avec perte d'eau propre. Pour un environnement relativement propre.	S/O	Pré-filtre 30 % (F271)
Purification d'air standard. Pour les environnements avec des charges plus élevées de particules, comme les sites de construction ou de remodelage.	Pré-filtre 10 % (F2701)	Pré-filtre 30 % (F271)	Filtre HEPA (F321)
Filtration de l'air par efficacité de première passe. Pour une utilisation avec une configuration d'air négative pendant l'assainissement de contaminants à haut risque et/ou lorsque le test DOP est nécessaire. Se référer à "À propos de l'efficacité d'une première passe de filtration DOP », page 4 .	Pré-filtre 30 % (F271)	Pré-filtre DOP (F415)	Filtre HEPA (F321)
Contrôle des odeurs et filtration de l'air. Pour éliminer les composés organiques volatils (COV), les odeurs de nourriture, de vapeurs provenant de la peinture et de diluant à peinture, les odeurs d'égouts, et de nombreuses autres odeurs nauséabondes.	Filtre à charbon actif (F397)	Pré-filtre 30 % (F271)	Filtre HEPA (F321)

DESCRIPTION DU FILTRE

Pré-filtre 10 % (F2701) Média filtrant en fibre synthétique évaluée à 10 % d'efficacité. Capture les grosses particules pour aider à prolonger la durée de vie des filtres qui ont une efficacité supérieure. Plus d'informations sur le produit [ici](#).

Pré-filtre 30 % (F271) Média filtrant en fibre synthétique évaluée à 30 % d'efficacité. Capture les grosses particules pour aider à prolonger la durée de vie du filtre HEPA. Plus d'informations sur le produit [ici](#).

Filtre à charbon actif (F397). L'utilisation de charbon actif dans ce filtre permet l'élimination d'une grande variété de composés, notamment des composés organiques volatils (COV), les odeurs de nourriture, les vapeurs de peinture et de diluant à peinture, les odeurs d'égouts, et de nombreuses autres odeurs nauséabondes. La combinaison de filtration à charbon actif avec une filtration HEPA est particulièrement efficace pour éliminer les particules de suie en suspension et les odeurs qu'elles créent. Plus d'informations sur le produit [ici](#).

Pré-filtre DOP (F415). Utiliser le filtre de DOP pour assurer le rendement évalué en laboratoire pour des applications sensibles nécessitant une première passe de filtration HEPA. Plus d'informations sur le produit [ici](#).

Filtre HEPA (F321). Le filtre HEPA a un taux d'efficacité de 99,97 % contre les particules d'aérosols huileux de 0,3 micron. Plus d'informations sur le produit [ici](#).

OPTIONS DE CONDUITS

Conduits rigides de 12 po (30,4 cm) (conduits Sto & Go, F405) pour l'entrée de l'air. Conduit pliable de 25 pi, 12 po (7,6 m, 20,3 cm) avec un étui de protection intégré. Connecter une ou plusieurs sections. Se range dans un étui de transport pratique. Plus d'informations sur le produit [ici](#).

Conduit plat de 8 po (20,3 cm) (F268) pour la sortie de l'air. Conduit robuste de 4 mil en polyéthylène. 13 po (33 cm) de largeur à plat, s'élargit à un diamètre de 8,3 po (21 cm) lorsqu'il est gonflé. 500 pi (152 m) par rouleau. Couper à la longueur nécessaire. Plus d'informations sur le produit [ici](#).

DÉPANNAGE

PROBLÈME	CAUSE	SOLUTION
L'appareil ne fonctionne pas.	<ol style="list-style-type: none"> 1. Absence d'alimentation à l'appareil 2. L'interrupteur n'est pas sur la position Marche 3. Absence d'alimentation à la prise secteur 4. GFCI déclenché 	<ol style="list-style-type: none"> 1. Brancher l'appareil; vérifier l'alimentation à la prise secteur 2. Mettre l'interrupteur sur la position Marche 3. Réinitialiser le disjoncteur d'alimentation / GFCI 4. Réinitialiser le disjoncteur de l'appareil / GFCI
Le voyant de remplacement du filtre est allumé	<ol style="list-style-type: none"> 1. Le filtre principal (HEPA) est plein 2. L'admission de l'air est limitée en raison de plis, restrictions ou longueur excessive des conduits 	<ol style="list-style-type: none"> 1. Remplacer le filtre HEPA 2. Éliminer les plis / restrictions des conduits; réduire la longueur du conduit

Pour tous les problèmes non décrits ici, veuillez contacter votre distributeur local pour obtenir de l'assistance.

RESSOURCES SUPPLÉMENTAIRES

- *Dri-Eaz Guide en matière de purification de l'air.* Visitez cette [page](#) pour télécharger ou commander une copie.
- *S520 : Pour le guide Standard and Reference Guide for Professional Mold Remediation,* contacter l'IICRC au 360-693-5675.
- Institute of Inspection, Cleaning and Restoration Certification (IICRC), au 360-693-5675.
- site Web de Dri-Eaz : www.dri-eaz.com
- Restoration Sciences Academy au 800-932-3030 www.RestorationSciencesAcademy.com
- Aide en ligne de NIOSH au 800-35-NIOSH. Informations sur les respirateurs et sur les filtres de respirateurs.

SPÉCIFICATIONS

Modèle	HEPA 500 (F284-115V)
Poids	44 lb 19,9 kg
Dimensions (P x L x H)	24,6 x 26,2 x 18,2 po 62,5 x 66,5 x 46,2 cm
tailles des conduits	Entrée : 12 po (30,4 cm), sortie 8 po (20,3 cm)
Alimentation	3A, 115V, 60 Hz
Mouvement de l'air	250 à 500 PCM
Système de filtration	Jusqu'à deux pré-filtres et un filtre HEPA.
Commandes	Interrupteur marche / arrêt, bouton de commande de vitesse variable
Longueur du cordon d'alimentation	25 pi 7,63 m.
Construction	Boîtier rotomoulé en polyéthylène
Sécurité	Homologué UL / cUL
<i>Les spécifications peuvent être modifiées sans préavis. Certaines valeurs peuvent être approximatives</i>	