



ONE-TOUCH[®] SILVER CHARCOAL GRILL

Read owner's guide before using the barbecue.

18½ inch
(47 cm)

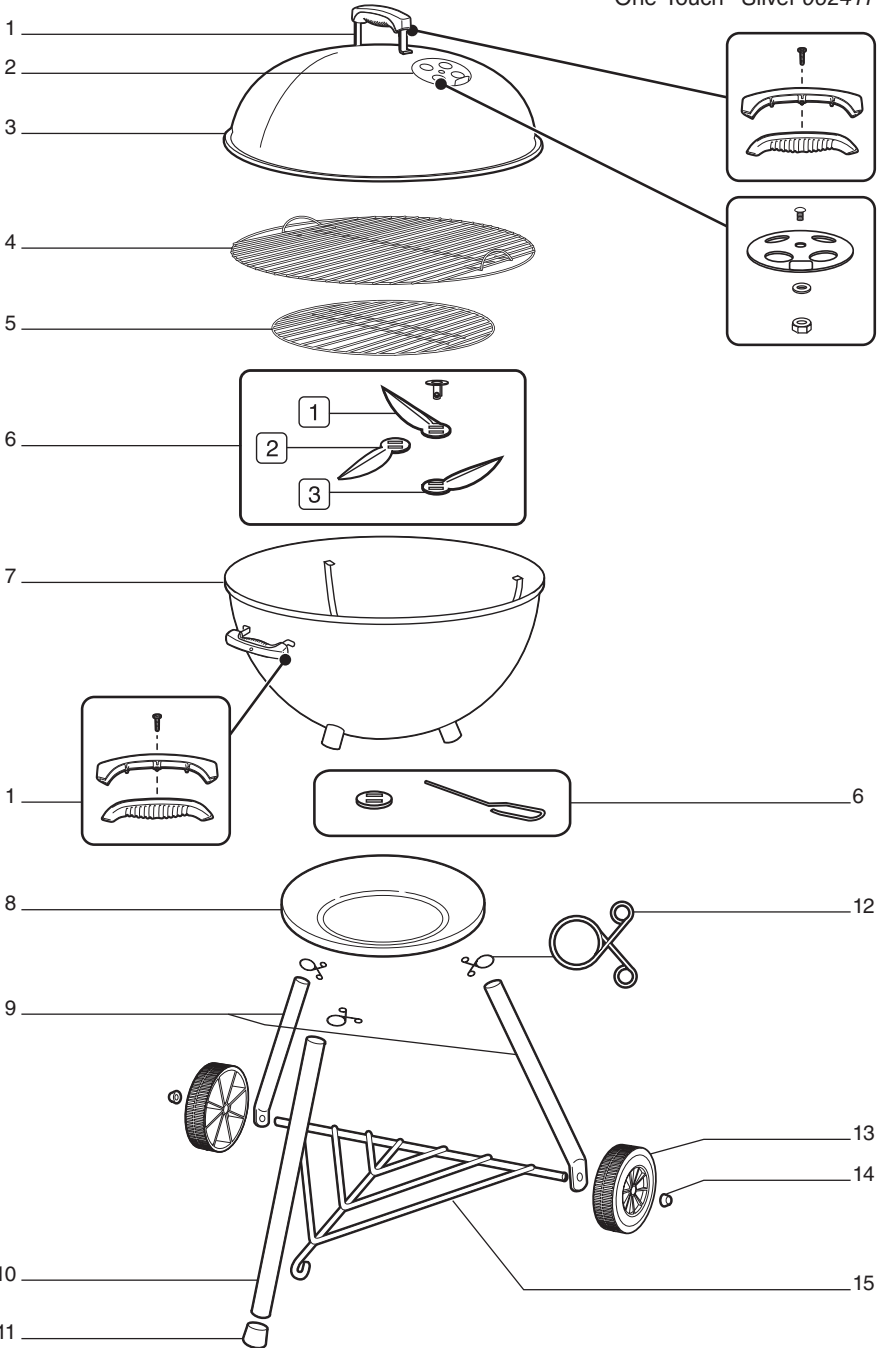
22½ inch
(57 cm)

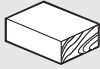


54240_081511

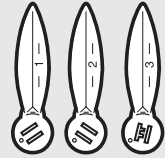
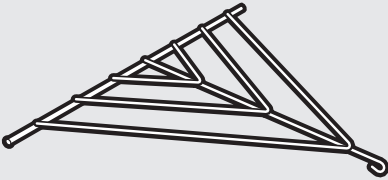
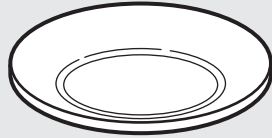
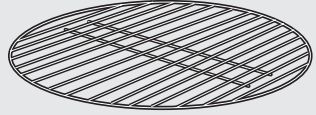
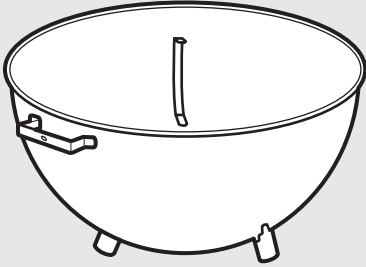
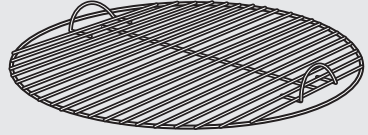
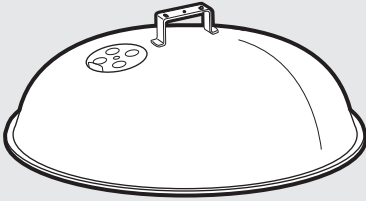
EXPLODED VIEW

One-Touch® Silver 062411

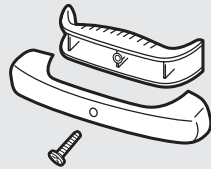




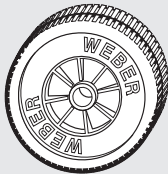
1-



2-

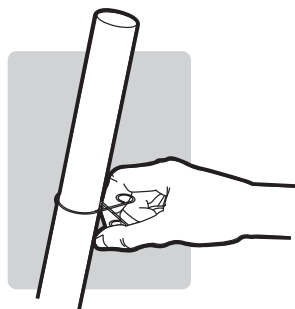
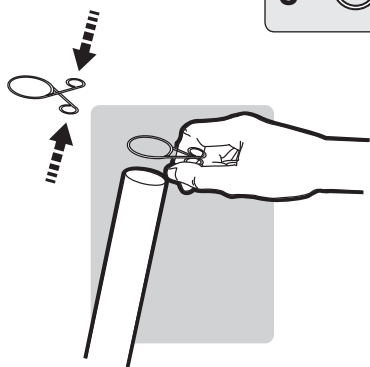
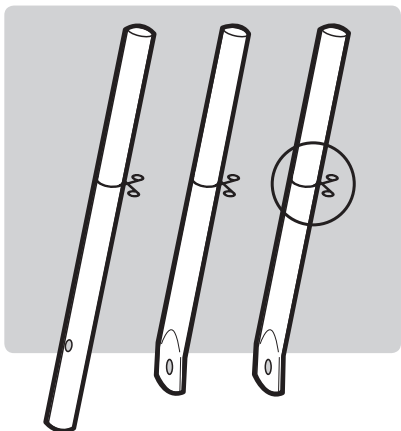


3-

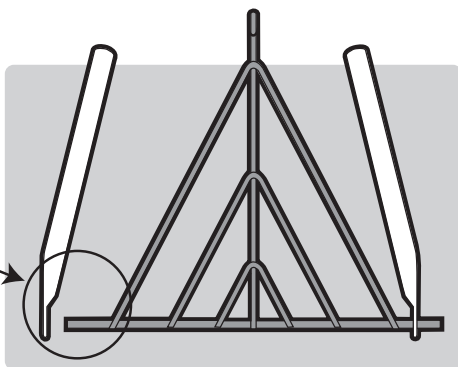
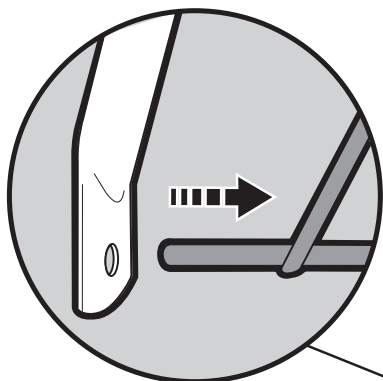


1

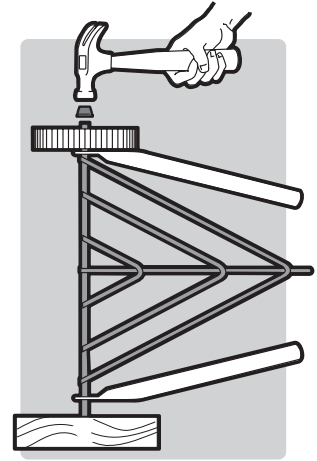
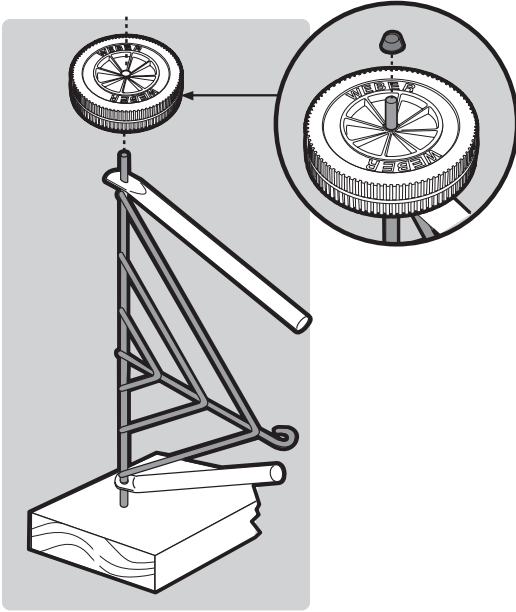
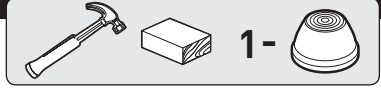
3-



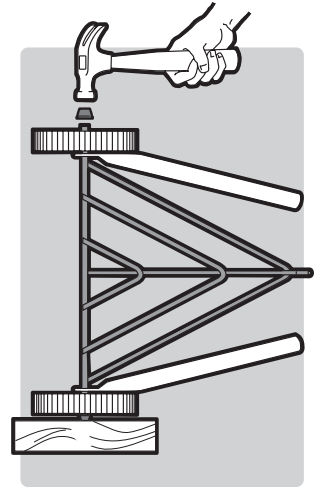
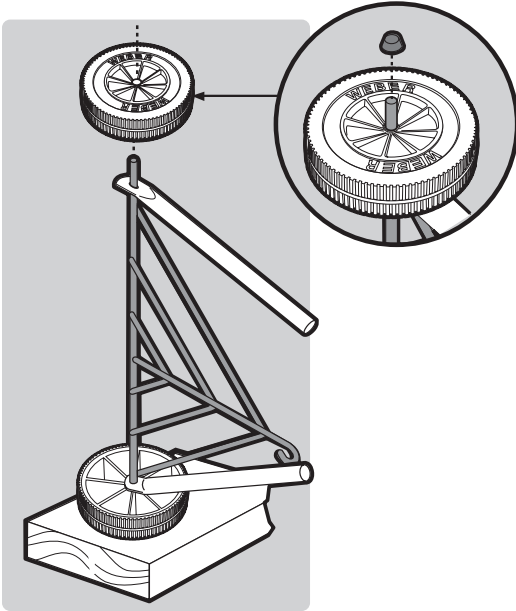
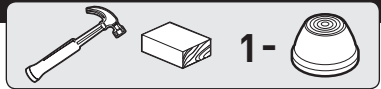
2

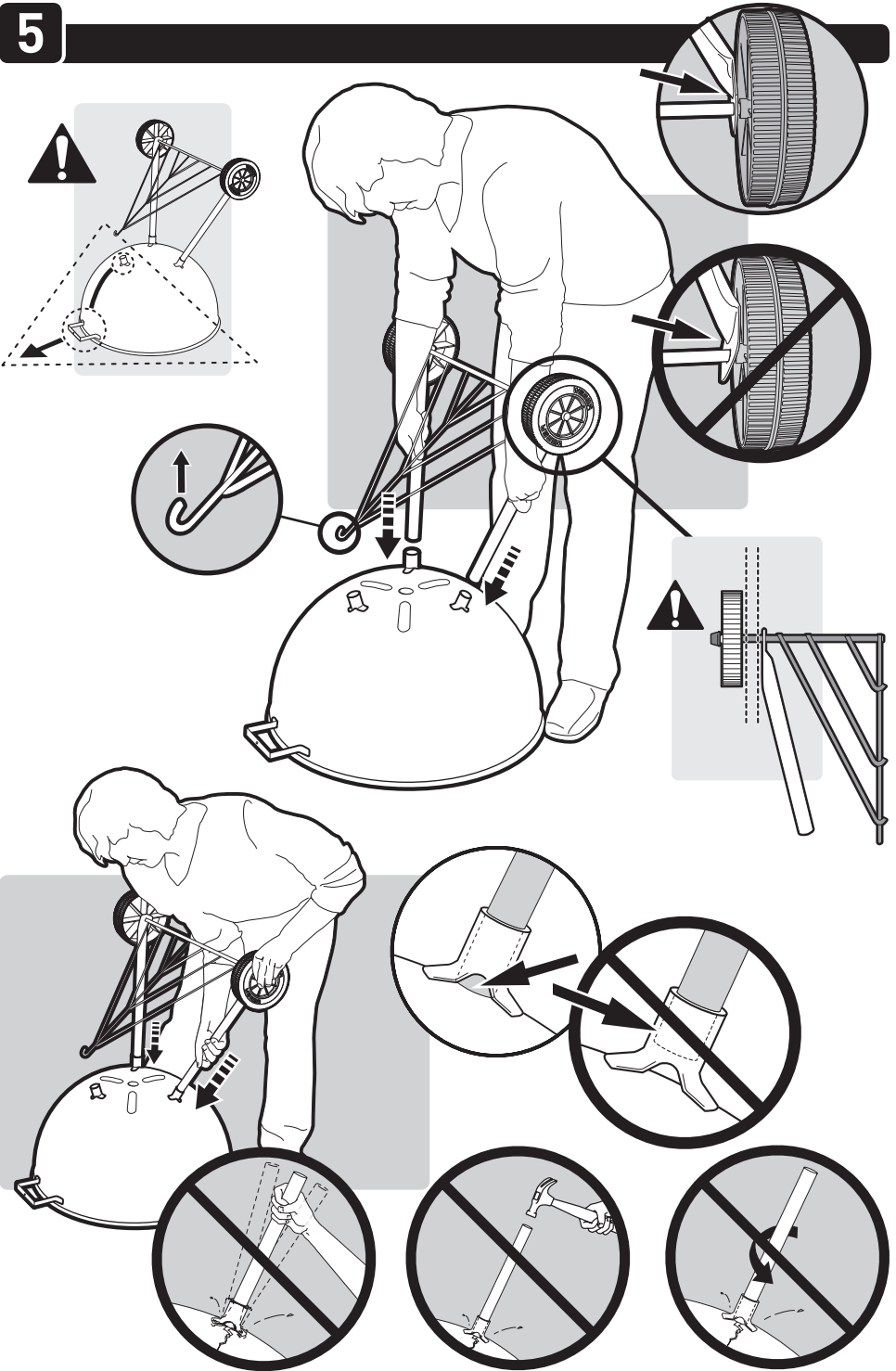


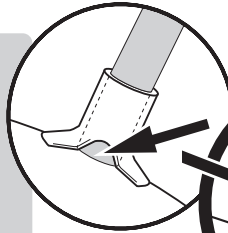
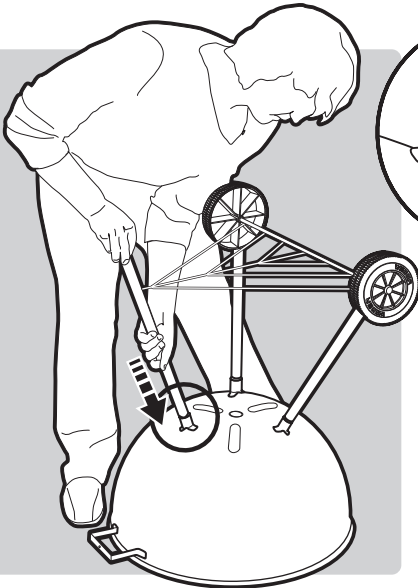
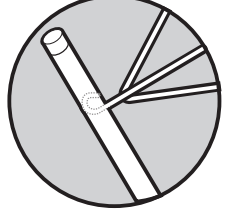
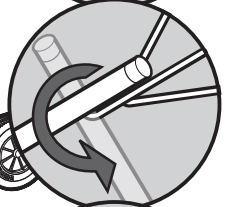
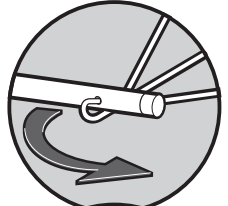
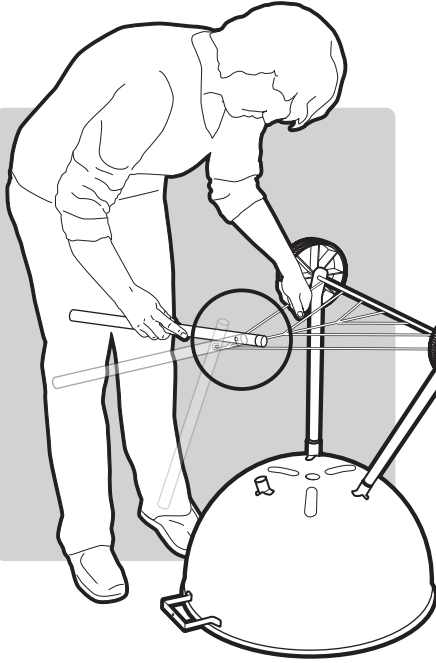
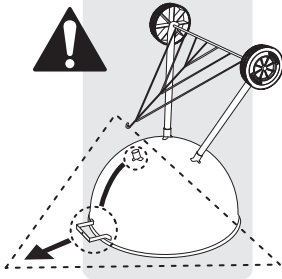
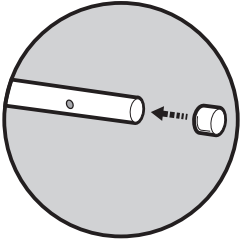
3

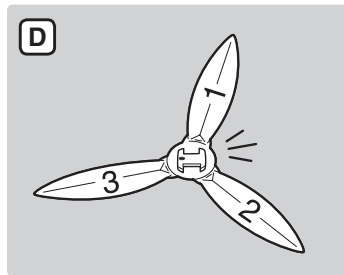
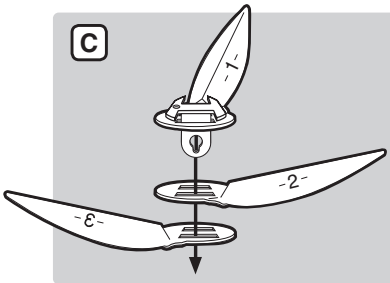
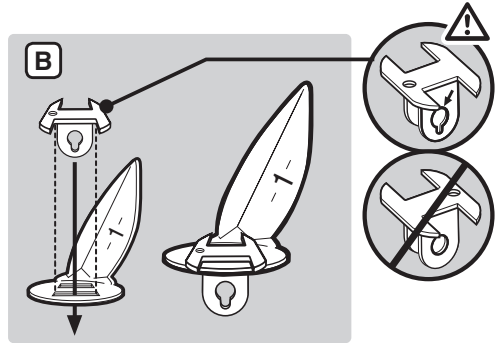
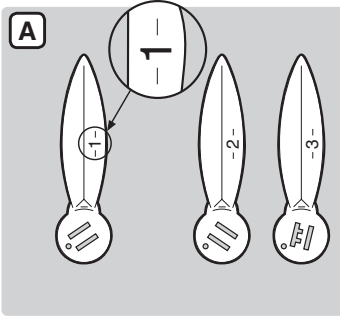
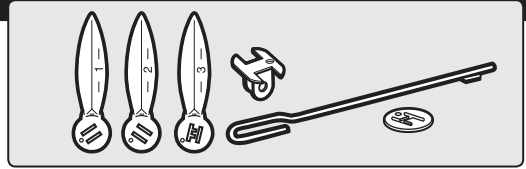


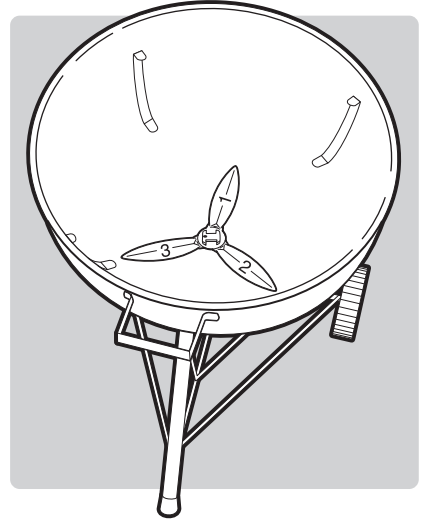
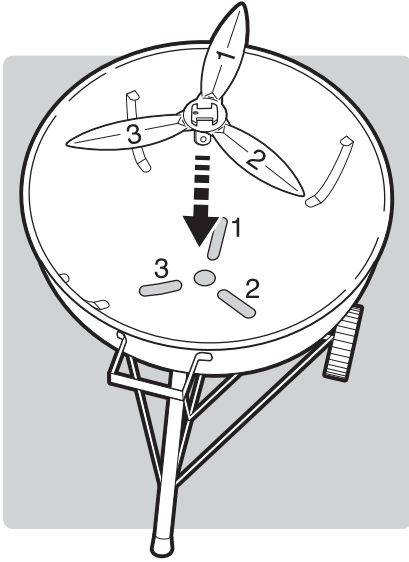
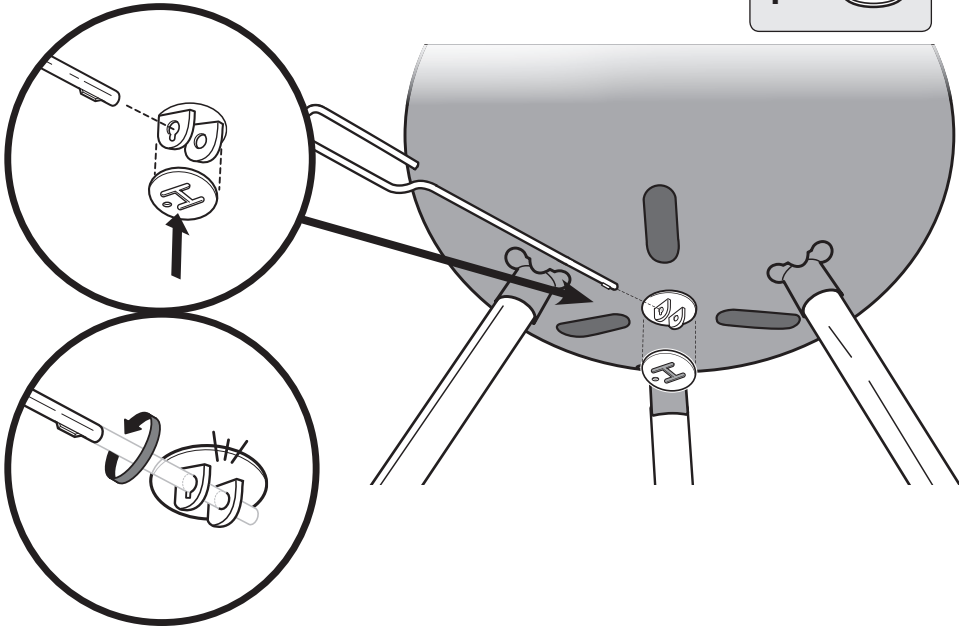
4

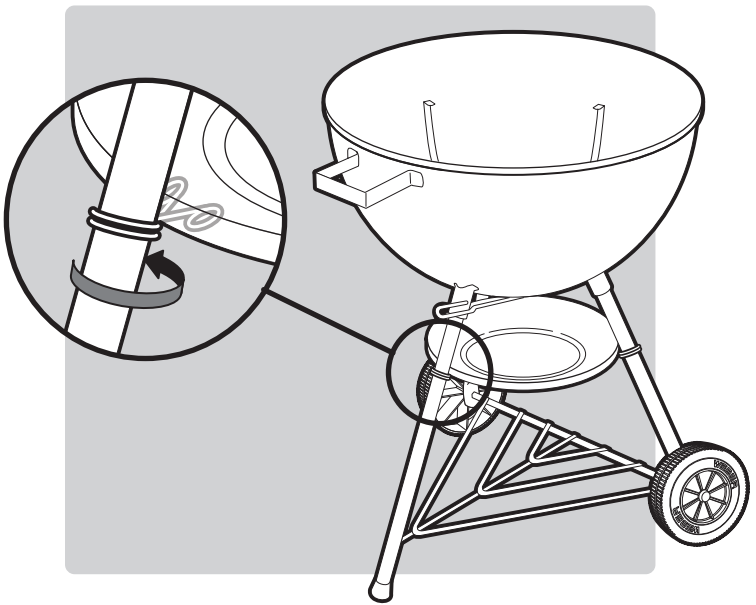
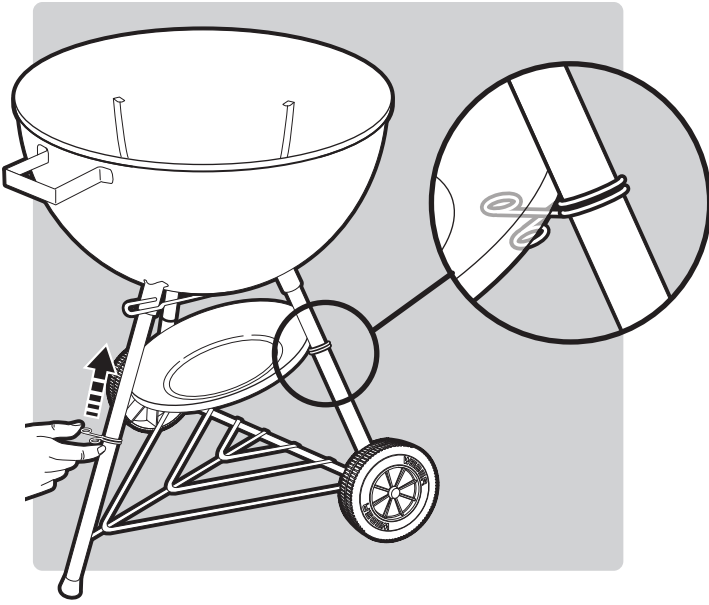


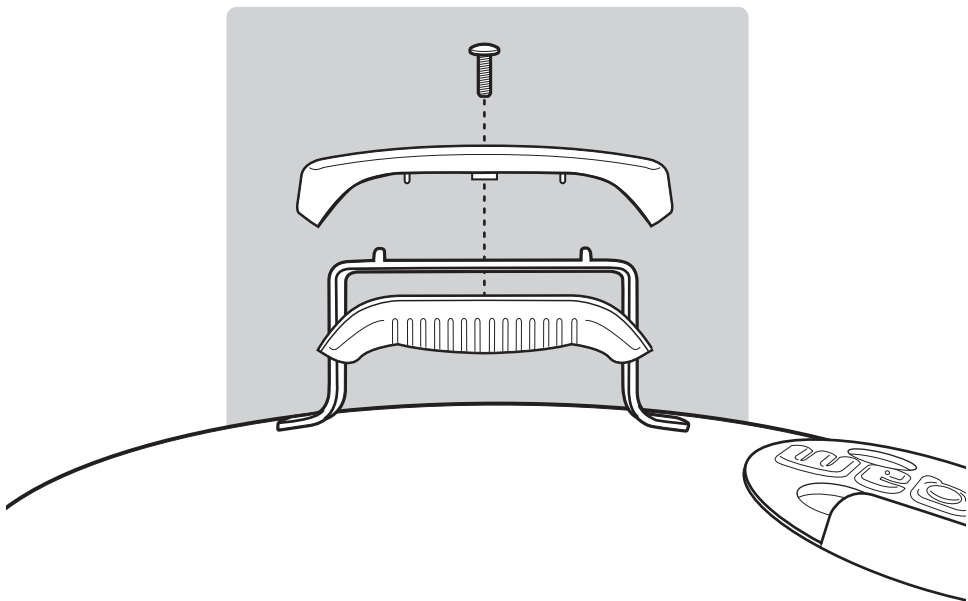


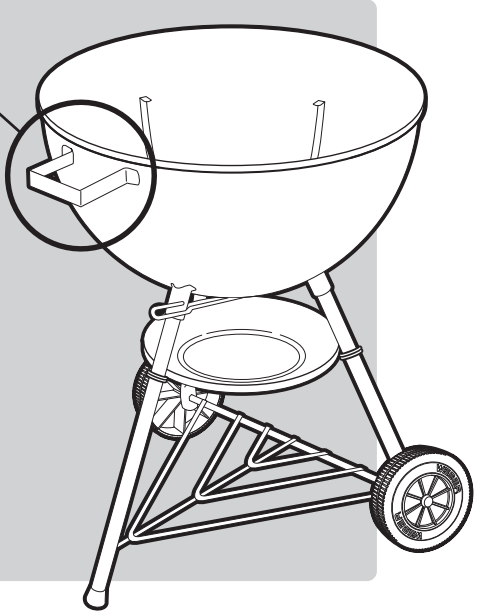
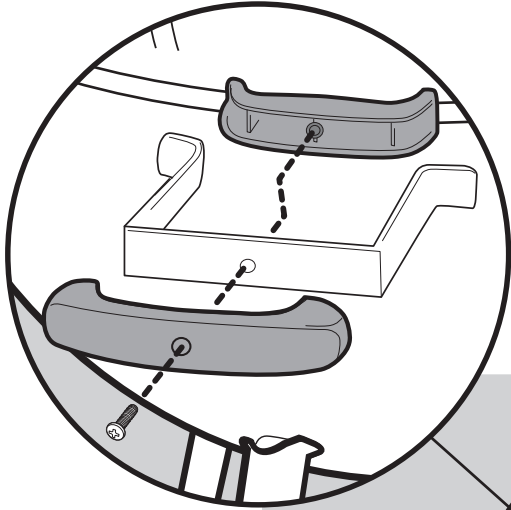
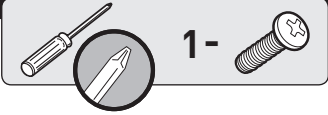


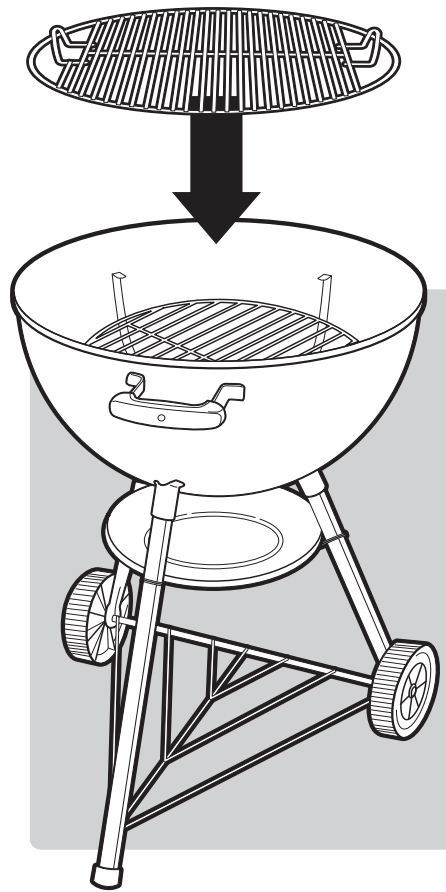
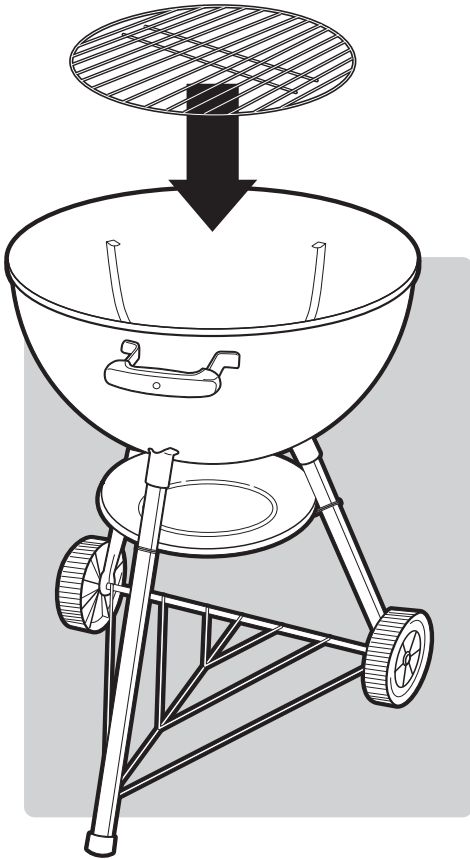


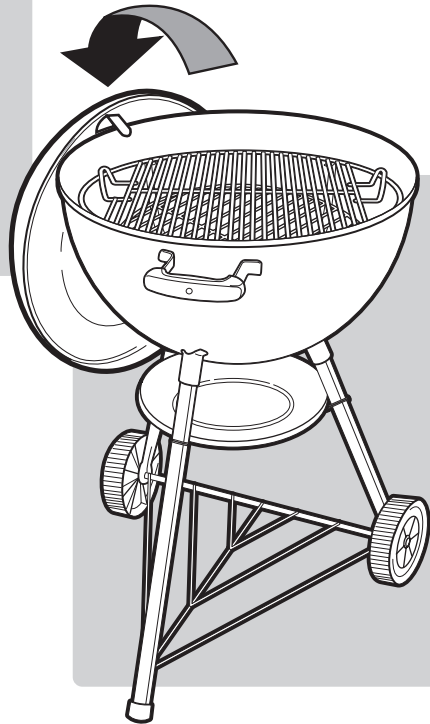
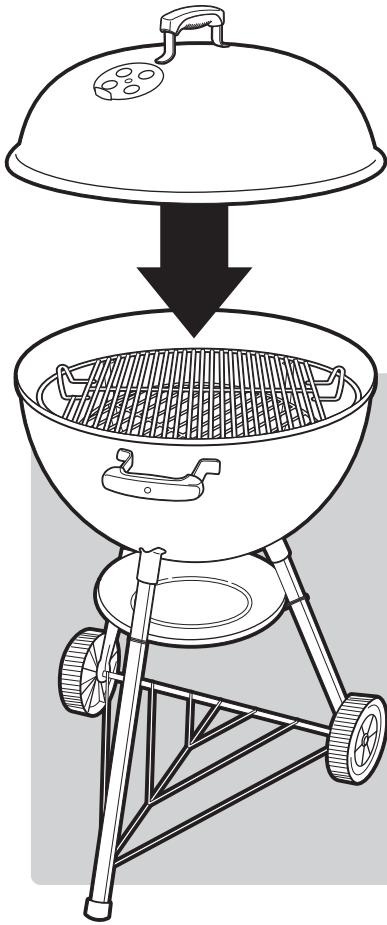
1- 











Lined writing area with 28 horizontal lines.



WEBER-STEPHEN PRODUCTS LLC
www.weber.com[®]

© 2011 Designed and engineered by Weber-Stephen Products LLC,
a Delaware limited liability company, located at 200 East Daniels Road, Palatine, Illinois 60067 U.S.A.
Printed in U.S.A.