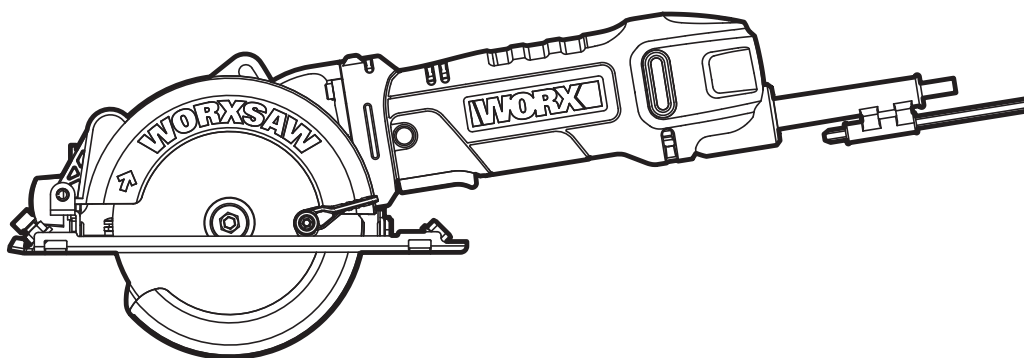


WORX®



WORXSAW

Compact Circular Saw	EN	P03
Scie Circulaire Compacte	F	P15
Sierra Circular Compacta	ES	P23



HELPLINE NUMBER
NUMERO DU SERVICE D'ASSISTANCE
NUMERO DE LINEA DE AYUDA
1-866-354-WORX (9679)

WX439L



PRODUCT SAFETY

WARNING: Some dust created by power sanding, sawing, grinding, drilling and other construction activities contains chemicals known to the state of California to cause cancer, birth defects or other reproductive harm. Some examples of these chemicals are:

- Lead from lead-based paints;
- Crystalline silica from bricks and cement and other masonry products;
- Arsenic and chromium from chemically-treated lumber.

Your risk from these exposures varies, depending on how often you do this type of work. To reduce your exposure to these chemical: work in a well ventilated area, and work with approved safety equipment, such as those dust masks that are specially designed to filter out microscopic particles.

WARNING: This product can expose you to chemicals including lead and Di (2-ethylhexyl) phthalate (DEHP) which are known to the State of California to cause cancer and birth defects or other reproductive harm. For more information go to www.P65Warnings.ca.gov.

GENERAL POWER TOOL SAFETY WARNINGS

WARNING! Read all safety warnings, instructions, illustrations and specifications provided with this power tool. Failure to follow all instructions listed below may result in electric shock, fire and/or serious injury.

Save all warnings and instructions for future reference.

The term "power tool" in the warnings refers to your mains-operated (corded) power tool or battery-operated (cordless) power tool.

1) Work area safety

- Keep work area clean and well lit. Cluttered or dark areas invite accidents.**
- Do not operate power tools in explosive atmospheres, such as in the presence of flammable liquids, gases or dust.** Power tools create sparks which may ignite the dust or fumes.
- Keep children and bystanders away while operating a power tool.** Distractions can cause you to lose control.

2) Electrical safety

- Power tool plugs must match the outlet. Never modify the plug in any way. Do not use any adapter plugs with earthed**

(grounded) power tools. Unmodified plugs and matching outlets will reduce risk of electric shock.

- Avoid body contact with earthed or grounded surfaces, such as pipes, radiators, ranges and refrigerators.** There is an increased risk of electric shock if your body is earthed or grounded.
- Do not expose power tools to rain or wet conditions.** Water entering a power tool will increase the risk of electric shock.
- Do not abuse the cord. Never use the cord for carrying, pulling or unplugging the power tool. Keep cord away from heat, oil, sharp edges or moving parts.** Damaged or entangled cords increase the risk of electric shock.
- When operating a power tool outdoors, use an extension cord suitable for outdoor use.** Use of a cord suitable for outdoor use reduces the risk of electric shock.
- If operating a power tool in a damp location is unavoidable, use a residual current device (RCD) protected supply.** Use of an RCD reduces the risk of electric shock.

3) Personal safety

- Stay alert, watch what you are doing and use common sense when operating a power tool. Do not use a power tool while you are tired or under the influence of drugs, alcohol or medication.** A moment of inattention while operating power tools may result in serious personal injury.
- Use personal protective equipment. Always wear eye protection.** Protective equipment such as dust mask, non-skid safety shoes, hard hat, or hearing protection used for appropriate conditions will reduce personal injuries.
- Prevent unintentional starting. Ensure the switch is in the off-position before connecting to power source and/or battery pack, picking up or carrying the tool.** Carrying power tools with your finger on the switch or energising power tools that have the switch on invites accidents.
- Remove any adjusting key or wrench before turning the power tool on.** A wrench or a key left attached to a rotating part of the power tool may result in personal injury.
- Do not overreach. Keep proper footing and balance at all times.** This enables better control of the power tool in unexpected situations.
- Dress properly. Do not wear loose clothing or jewellery. Keep your hair and clothing away from moving parts.** Loose clothes, jewellery or long hair can be caught in moving parts.
- If devices are provided for the connection of dust extraction and collection facilities, ensure these are connected and properly used.** Use of dust collection can reduce dust-related hazards.
- Do not let familiarity gained from frequent**

use of tools allow you to become complacent and ignore tool safety principles. A careless action can cause severe injury within a fraction of a second.

4) Power tool use and care

- a) **Do not force the power tool. Use the correct power tool for your application.** The correct power tool will do the job better and safer at the rate for which it was designed.
 - b) **Do not use the power tool if the switch does not turn it on and off.** Any power tool that cannot be controlled with the switch is dangerous and must be repaired.
 - c) **Disconnect the plug from the power source and/or remove the battery pack, if detachable, from the power tool before making any adjustments, changing accessories, or storing power tools.** Such preventive safety measures reduce the risk of starting the power tool accidentally.
 - d) **Store idle power tools out of the reach of children and do not allow persons unfamiliar with the power tool or these instructions to operate the power tool.** Power tools are dangerous in the hands of untrained users.
 - e) **Maintain power tools and accessories. Check for misalignment or binding of moving parts, breakage of parts and any other condition that may affect the power tool's operation. If damaged, have the power tool repaired before use.** Many accidents are caused by poorly maintained power tools.
 - f) **Keep cutting tools sharp and clean.** Properly maintained cutting tools with sharp cutting edges are less likely to bind and are easier to control.
 - g) **Use the power tool, accessories and tool bits etc. in accordance with these instructions, taking into account the working conditions and the work to be performed.** Use of the power tool for operations different from those intended could result in a hazardous situation.
 - h) **Keep handles and grasping surfaces dry, clean and free from oil and grease.** Slippery handles and grasping surfaces do not allow for safe handling and control of the tool in unexpected situations.
- 5) **Service**
- a) **Have your power tool serviced by a qualified repair person using only identical replacement parts.** This will ensure that the safety of the power tool is maintained.

SAFETY INSTRUCTIONS FOR ALL SAWS

CUTTING PROCEDURES

- a)  **DANGER: Keep hands away from cutting area and the blade.** If both

hands are holding the saw, they cannot be cut by the blade.

- b) **Do not reach underneath the workpiece.** The guard cannot protect you from the blade below the workpiece.
- c) **Adjust the cutting depth to the thickness of the workpiece.** Less than a full tooth of the blade teeth should be visible below the workpiece.
- d) **Never hold workpiece in your hands or across your leg while cutting. Secure the workpiece to a stable platform.** It is important to support the work properly to minimise body exposure, blade binding, or loss of control.
- e) **Hold the power tool by insulated gripping surfaces only, when performing an operation where the cutting tool may contact hidden wiring or its own cord.** Contact with a "live" wire will also make exposed metal parts of the power tool "live" and could give the operator an electric shock.
- f) **When ripping always use a rip fence or straight edge guide.** This improves the accuracy of cut and reduces the chance of blade binding.
- g) **Always use blades with correct size and shape (diamond versus round) of arbour holes.** Blades that do not match the mounting hardware of the saw will run off-centre, causing loss of control.
- h) **Never use damaged or incorrect blade washers or bolt.** The blade washers and bolt were specially designed for your saw, for optimum performance and safety of operation.

FURTHER SAFETY INSTRUCTIONS FOR ALL SAWS

Kickback causes and related warnings

- kickback is a sudden reaction to a pinched, bound or misaligned saw blade, causing an uncontrolled saw to lift up and out of the workpiece toward the operator;
 - when the blade is pinched or bound tightly by the kerf closing down, the blade stalls and the motor reaction drives the unit rapidly back toward the operator;
 - if the blade becomes twisted or misaligned in the cut, the teeth at the back edge of the blade can dig into the top surface of the wood causing the blade to climb out of the kerf and jump back toward the operator.
- Kickback is the result of saw misuse and/or incorrect operating procedures or conditions and can be avoided by taking proper precautions as given below.
- a) **Maintain a firm grip on the saw and position your arms to resist kickback forces. Position your body to either side of the blade, but not in line with the blade.** Kickback could cause the saw to jump backwards, but kickback forces can be controlled by the operator,

if proper precautions are taken.

- b) When blade is binding, or when interrupting a cut for any reason, release the trigger and hold the saw motionless in the material until the blade comes to a complete stop.** *Never attempt to remove the saw from the work or pull the saw backward while the blade is in motion or kickback may occur. Investigate and take corrective actions to eliminate the cause of blade binding.*
- c) When restarting a saw in the workpiece, centre the saw blade in the kerf and check that saw teeth are not engaged into the material.** *If saw blade is binding, it may walk up or kickback from the workpiece as the saw is restarted.*
- d) Support large panels to minimise the risk of blade pinching and kickback. Large panels tend to sag under their own weight.** *Supports must be placed under the panel on both sides, near the line of cut and near the edge of the panel.*
- e) Do not use dull or damaged blades.** *Unsharpened or improperly set blades produce narrow kerf causing excessive friction, blade binding and kickback.*
- f) Blade depth and bevel adjusting locking levers must be tight and secure before making cut.** *If blade adjustment shifts while cutting, it may cause binding and kickback.*
- g) Use extra caution when sawing into existing walls or other blind areas.** *The protruding blade may cut objects that can cause kickback.*

guard should operate automatically.

- d) Always observe that the lower guard is covering the blade before placing saw down on bench or floor. An unprotected, coasting blade will cause the saw to walk backwards, cutting whatever is in its path.** *Be aware of the time it takes for the blade to stop after switch is released.*

ADDITIONAL SAFETY RULES FOR YOUR CIRCULAR SAW

1. Only use saw blades recommended in the specification.
2. Do not use any abrasive wheels.
3. Use only blade diameter(s) in accordance with the markings.
4. Identify the correct saw blade to be used for the material to be cut.
5. Use only saw blades that are marked with a speed equal or higher than the speed marked on the tool.

SAFETY INSTRUCTIONS FOR CIRCULAR SAW WITH INNER PENDULUM GUARD

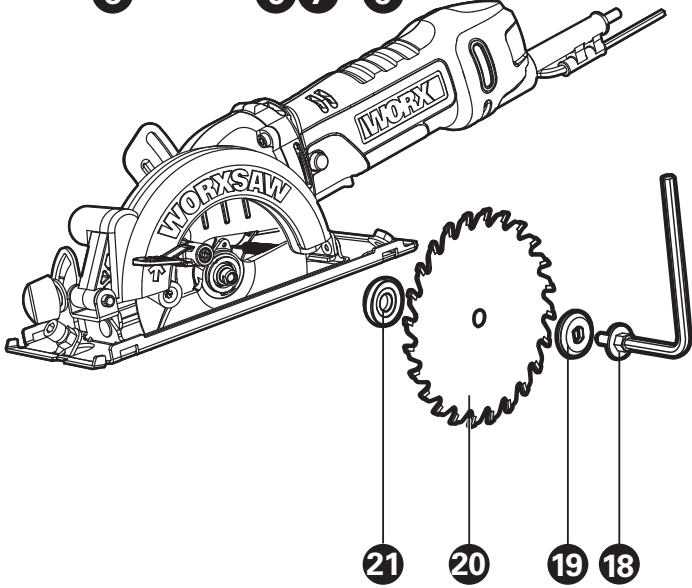
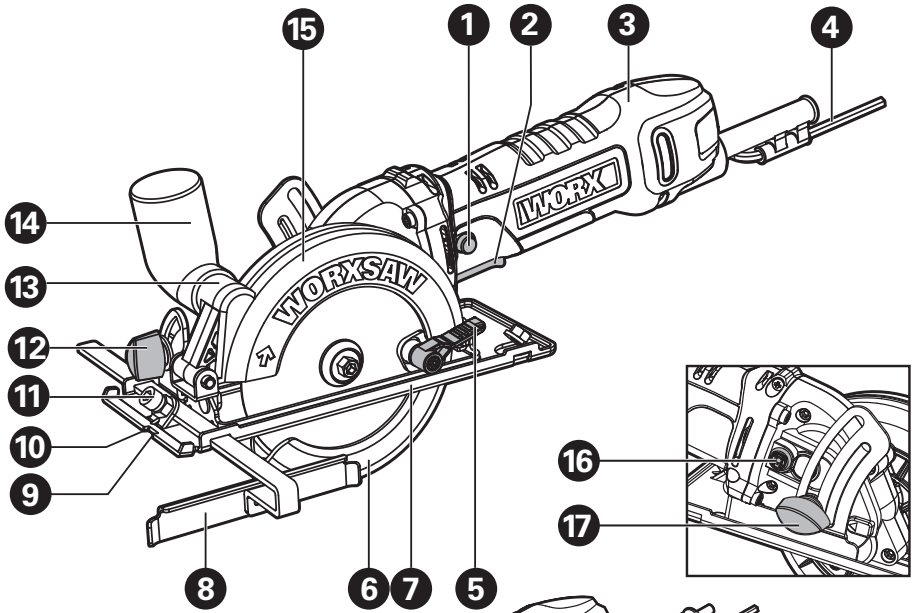
Lower guard function

- a) Check lower guard for proper closing before each use. Do not operate the saw if lower guard does not move freely and close instantly. Never clamp or tie the lower guard into the open position. If saw is accidentally dropped, lower guard may be bent.** *Raise the lower guard with the retracting handle and make sure it moves freely and does not touch the blade or any other part, in all angles and depths of cut.*
- b) Check the operation of the lower guard spring. If the guard and the spring are not operating properly, they must be serviced before use.** *Lower guard may operate sluggishly due to damaged parts, gummy deposits, or a build-up of debris.*
- c) Lower guard may be retracted manually only for special cuts such as "plunge cuts" and "compound cuts." Raise lower guard by retracting handle and as soon as blade enters the material, the lower guard must be released.** *For all other sawing, the lower*

SYMBOLS

	To reduce the risk of injury, user must read instruction manual
	Double insulation
	Warning
	Wear ear protection
	Wear eye protection
	Wear dust mask
	Before any work on the machine itself, pull the mains plug from the socket outlet.
	Wear protective gloves
	Wood
	Incorrect
	Correct
	Lock
	Unlock
	TCT blade

6



COMPONENT LIST


1. SAFETY SWITCH
2. ON/OFF TRIGGER
3. SOFT GRIP HANDLE
4. HEX KEY
5. BLADE GUARD LEVER
6. BLADE GUARD
7. BASE PLATE
8. PARALLEL GUIDE
9. CUTTING MARK, 0°
10. CUTTING MARK, 45°
11. PARALLEL GUIDE CLAMPING FIXTURE
12. BEVEL ADJUSTMENT LEVER
13. DUST EXTRACTION OUTLET
14. VACUUM ADAPTER
15. FIXED UPPER BLADE GUARD
16. SPINDLE LOCK BUTTON
17. DEPTH ADJUSTMENT LEVER
18. BLADE BOLT
19. OUTER FLANGE
20. SAW BLADE
21. INNER FLANGE

Not all the accessories illustrated or described are included in standard delivery.

8

TECHNICAL DATA

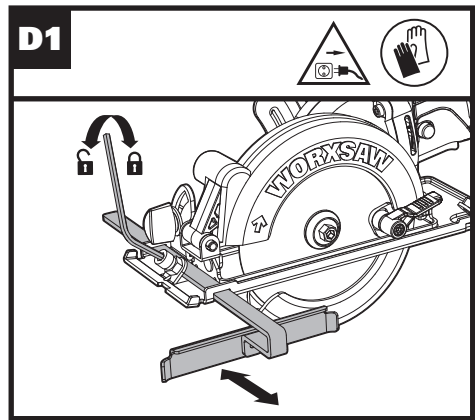
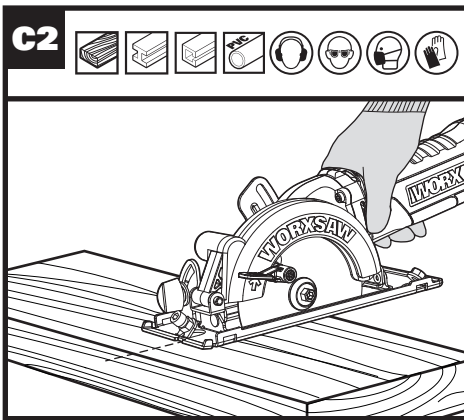
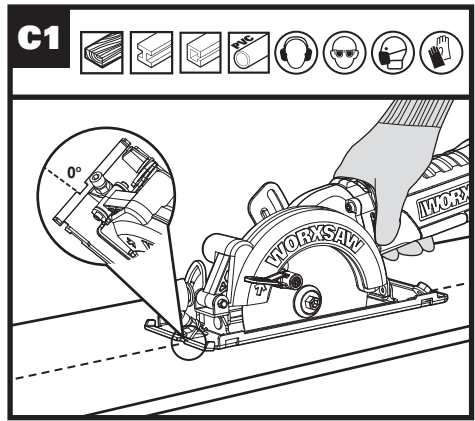
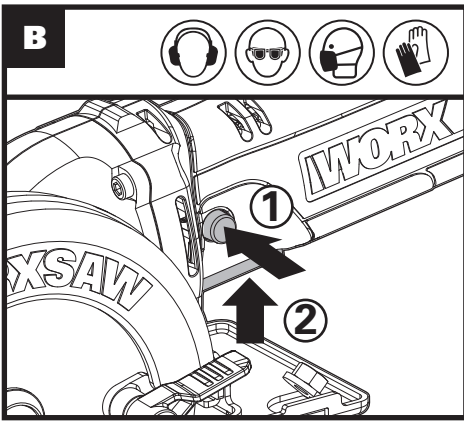
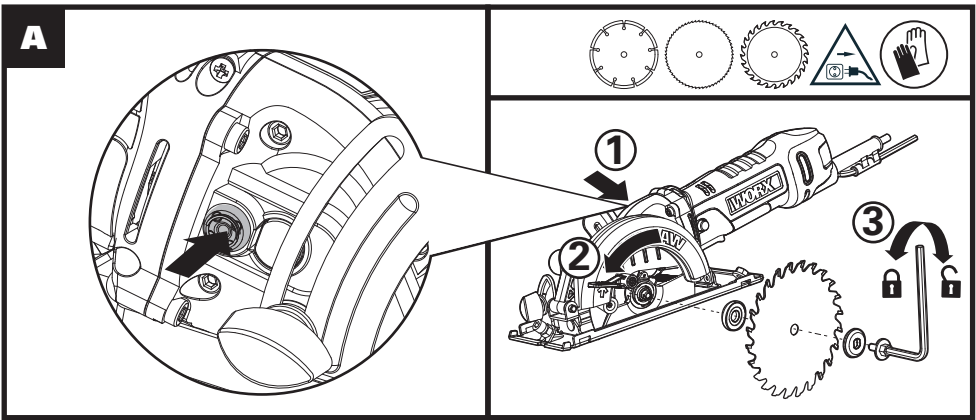
Type **WX439L (4 - designation of machinery, representative of Saw)**

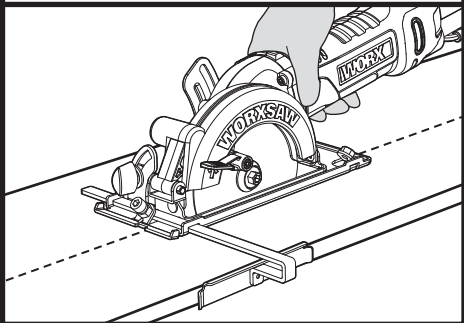
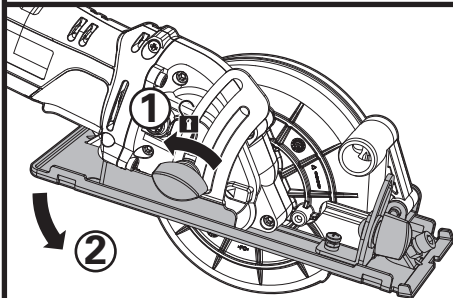
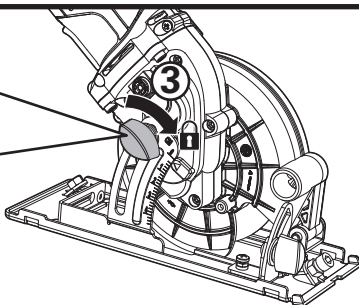
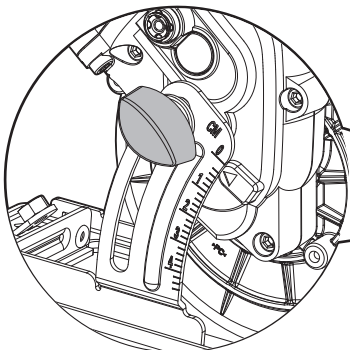
Voltage	120V~60Hz	
Rated current	4.5A	
No load speed	4100/min	
Blade size	4-1/2 inch x 3/8 inch	
Cutting capacity	Cutting Depth at 90°	1-11/16 inch
	Cutting Depth at 45°	1-1/8 inch
Bevel capacity	0-45°	
Protection class		
Machine weight	3.97 lbs	

ACCESSORIES

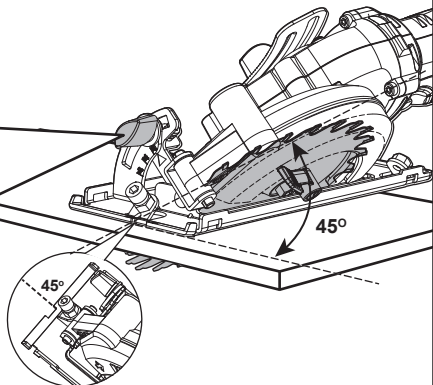
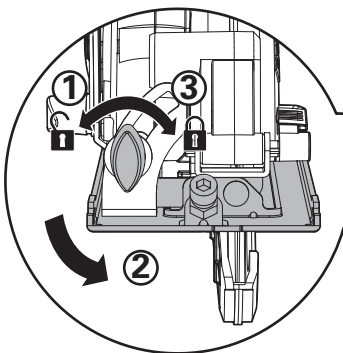
Hex key	1
Parallel guide	1
Vacuum adapter	1
24TTCT blade (WA5043)	1

We recommend that you purchase your accessories listed in the above list from the same store that sold you the tool. Refer to the accessory packaging for further details. Store personnel can assist you and offer advice.

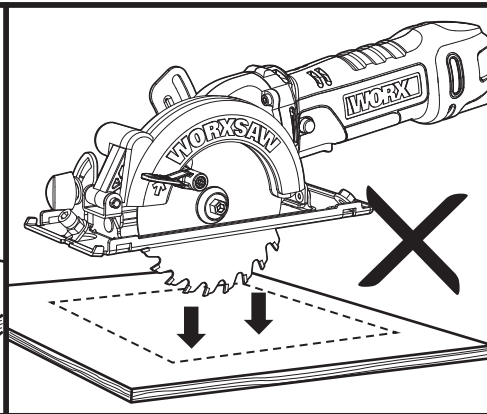
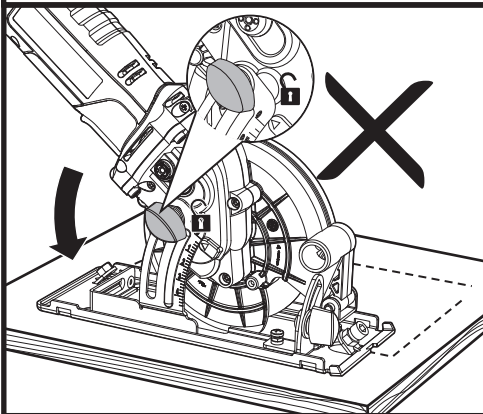
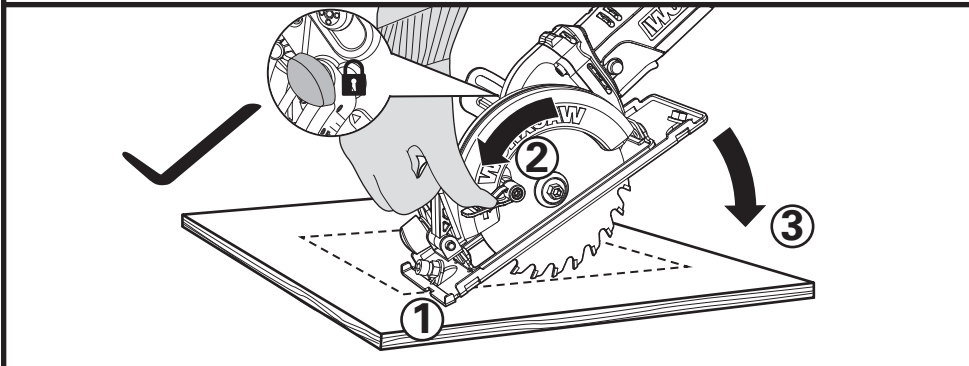


D2**E1****E2**

10

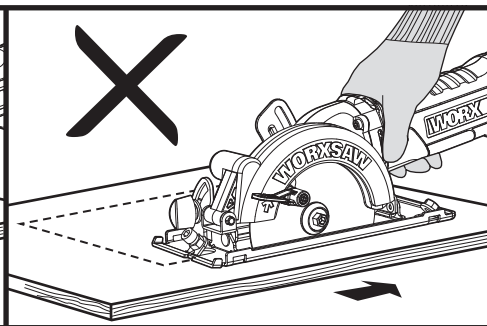
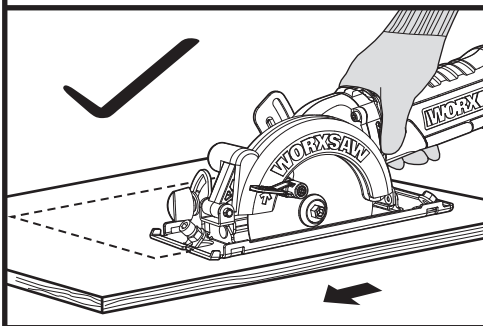
F

G1

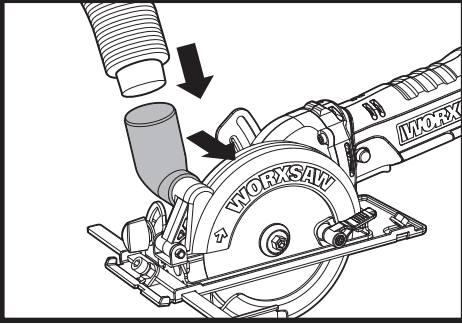


11

G2



H





OPERATING INSTRUCTIONS



NOTE: Before using the tool, read the instruction book carefully.

ASSEMBLY AND OPERATION

Action	Figure
Mounting and Removing the Blade NOTE: Lock or loose the blade bolt, the spindle lock button should be pressed.  WARNING: Always remove the battery before changing the blade!	See Fig. A
Safety switch and On/Off trigger  WARNING: To avoid cutting injury from the sharp blade, please don't put your hands around the Base Plate. NOTE: Keep the dust adapter connected to dust collecting device when using the tool.	See Fig. B
Rip and Cross Cutting NOTE: The cutting line of saw blade is aligned with the cutting mark 0°.	See Fig. C1, C2
Parallel Guide	See Fig. D1, D2
Adjusting the Cutting Depth	See Fig. E1, E2
Adjusting the Cutting Angle NOTE: The cutting line of saw blade is aligned with the cutting mark 45°.	See Fig. F
Pocket /Plunge	See Fig. G1, G2
Sawdust Removal	See Fig. H

WORKING HINTS FOR YOUR TOOL

Your power tool shall not be used for cutting plastics. The blade may become very hot after prolonged usage, please do not touch it.

MAINTAIN TOOLS WITH CARE

Remove the plug from the socket before carrying out any adjustment, servicing or maintenance.

Keep tools sharp and clean for better and safer

performance. Follow instructions for lubricating and changing accessories. Inspect tool cords periodically and if damaged, have repaired by authorized service facility. Your power tool requires no additional lubrication or maintenance. There are no user serviceable parts in your power tool. Never use water or chemical cleaners to clean your power tool. Wipe clean with a dry cloth. Always store your power tool in a dry place. Keep the motor ventilation slots clean. Keep all working controls free of dust. If the supply cord is damaged, it must be replaced by the manufacturer, its service agent or similarly qualified persons in order to avoid a hazard. Periodically clear dust and chips from guard and base to ensure proper performance.

TROUBLE SHOOTING

Symptom	Possible Causes	Possible Solution
Tool will not start when operating the on/off trigger.	<p>Safety switch is not pressed.</p> <p>Power cord not plugged in.</p> <p>Power cord is broken.</p> <p>Carbon brush has worn down</p>	<p>Press safety switch and hold it while engaging the on/off trigger.</p> <p>Check to make sure power cord is connected well into a working outlet. Unplug the power cord and replace it using a qualified maintenance person.</p> <p>Replace the carbon brush using a qualified maintenance person.</p>
Cutting depth is less than that is set.	Sawdust accumulated at the rear of the base.	Shake out sawdust. Consider connecting a vacuum for dust collection.
Blade spins or slips.	Blade is not tightly engaged with the spindle.	Remove the blade and reassemble it as described in Mounting and Removing the Blade section.
Blade will not cut a straight line.	<p>Blade is dull.</p> <p>Blade is not mounted properly.</p> <p>Saw is not being guided properly.</p>	<p>Mount a new, sharp blade on the saw. Check that blade is properly mounted. Use a parallel guide.</p>
Blade kicks back when beginning a cut.	<p>Saw blade teeth may be engaged in the material when starting.</p> <p>Blade is not spinning fast enough</p>	<p>Before restarting a saw in the workpiece, center the saw blade in the kerf and check that the saw teeth are not engaged into the material.</p> <p>Allow the saw blade to reach full speed prior to beginning a cut in the material.</p>

SÉCURITÉ DU PRODUIT

AVERTISSEMENT: Certaines des poussières produites en utilisant des outils électriques sont considérées par l'État de Californie comme susceptibles de provoquer le cancer, des anomalies congénitales et d'autres problèmes de reproduction. Voici des exemples de ces produits chimiques:

- Plomb issu de peinture à base de plomb;
- Silice cristalline issue de briques et du ciment et autres produits de maçonnerie;
- Arsenic et chrome issus de bois traité chimiquement.

Votre risque de ces expositions varie en fonction de la fréquence à laquelle vous effectuez ce travail. Pour réduire votre exposition à ces produits chimiques: travaillez dans une zone bien ventilée; portez un équipement de sécurité approuvé, tel que des masques anti-poussières spécialement conçus pour éliminer les particules microscopiques par filtrage.

AVERTISSEMENT: Ce dispositif peut vous exposer aux produits chimiques notamment le plomb et le di-phtalate (de 2-éthylhexyle) (DEHP) qui sont reconnus dans l'État de Californie comme causant des cancers et des anomalies congénitales ou d'autres anomalies de la reproduction. Pour en savoir plus, veuillez consulter le site www.P65Warnings.ca.gov.

AVERTISSEMENTS GÉNÉRAUX CONCERNANT LA SÉCURITÉ DES OUTILS ÉLECTRIQUES

AVERTISSEMENT: Lisez et assimilez toutes les instructions. Le non-respect des instructions ci-après peut entraîner un risque de choc électrique, d'incendie et/ou de blessures graves.

Conservez tous les avertissements et instructions pour pouvoir les consulter ultérieurement.

L'expression « outil électrique » dans tous les avertissements énumérés ci-dessous se réfère à votre outil électrique fonctionnant sur secteur (branché) ou à batterie (sans-fil).

1) Aire de travail

- Veillez à ce que l'aire de travail soit propre et bien éclairée.** Le désordre et le manque de lumière favorisent les accidents.
- N'utilisez pas d'outils électriques dans un milieu présentant un risque d'explosion, par**

exemple en présence de liquides, de gaz ou de poussières inflammables. Les outils électriques créent des étincelles qui pourraient enflammer les poussières ou les vapeurs.

- Gardez à distance les curieux, les enfants et les visiteurs lorsque vous travaillez avec un outil électrique.** Ils pourraient vous distraire et vous faire faire une fausse manœuvre.

2) Sécurité électrique

- Les fiches des outils électriques doivent correspondre aux prises murales. Ne jamais modifier la fiche de quelque façon que ce soit. Ne pas utiliser de fiches d'adaptation avec des outils électriques mis à la terre (mis à la masse).** Des fiches non modifiées et des prises qui leur correspondent réduiront le risque de choc électrique.
- Évitez tout contact corporel avec des surfaces mises à la terre (tuyauterie, radiateurs, cuisinières, réfrigérateurs, etc.)** Le risque de choc électrique est plus grand si votre corps est en contact avec la terre.
- N'exposez pas les outils électriques à la pluie ou à l'eau.** La présence d'eau dans un outil électrique augmente le risque de choc électrique.
- Ne maltraitez pas le cordon. Ne transportez jamais l'outil par son cordon et ne débranchez jamais la fiche en tirant sur le cordon. N'exposez pas le cordon à la chaleur, à des huiles, à des arrêtes vives ou à des pièces en mouvement.** Un cordon endommagé augmente le risque de choc électrique.
- Lorsque vous utilisez un outil électrique à l'extérieur, utilisez un prolongateur adapté à une utilisation en extérieur.** L'utilisation d'un cordon adapté à une utilisation extérieure réduit le risque de choc électrique.
- Si vous devez utiliser un outil électrique dans un endroit humide, utilisez un dispositif de courant résiduel (RCD) d'alimentation protégée.** L'utilisation d'un RCD réduit le risque de choc électrique.

3) Sécurité des personnes

- Restez alerte, concentrez-vous sur votre travail et faites preuve de bon sens. N'utilisez pas un outil électrique si vous êtes fatigué ou sous l'influence de drogues, d'alcool ou de médicaments.** Un instant d'inattention lors de l'utilisation d'outils électriques peut entraîner des blessures graves.
- Utilisez des accessoires de sécurité. Portez toujours une protection oculaire.** De l'équipement de sécurité tel que le masque antipoussière, les chaussures de sécurité antidérapantes, des casques durs ou des protections antibruit utilisés dans des conditions appropriées réduiront les blessures corporelles.
- Évitez les démarrages accidentels. Avant d'insérer la batterie dans l'outil, assurez-vous que son interrupteur est en position**

« OFF » (Arrêt) ou verrouillée. Le fait de transporter un outil avec le doigt sur la détente/l'interrupteur ou d'insérer la batterie dans un outil dont la détente est en position « ON » (Marche) peut causer un accident.

d) Retirer les clés de réglage avant de mettre l'outil sous tension. Une clé restée attachée à une partie mobile de l'outil pourrait entraîner des blessures corporelles.

e) Ne vous penchez pas trop en avant. Maintenez un bon appui et restez en équilibre en tout temps. Une bonne stabilité vous permet de mieux réagir à une situation inattendue.

f) Habillez-vous convenablement. Ne portez ni vêtements flottants ni bijoux. Gardez les cheveux, les vêtements et les gants éloignés des pièces en mouvement. Les vêtements flottants, les bijoux ou les cheveux longs risquent d'être happés par des pièces en mouvement.

g) Si un sac de récupération de la poussière est fourni avec un connecteur pour aspirateur, assurez vous qu'il est correctement relié et utilisé de façon appropriée. L'utilisation de ce système réduit les dangers physiques et physiologiques liés à la poussière.

h) Ne laissez pas les habitudes acquises par une utilisation fréquente d'outils relâcher votre vigilance et ignorer les principes de sécurité des outils. Une utilisation négligente peut causer des blessures graves en une fraction de seconde.

4) Utilisation et entretien de l'outil

a) Ne forcez pas l'outil. Utilisez l'outil approprié à la tâche. L'outil approprié fonctionne mieux et de façon plus sécuritaire. Respectez aussi la vitesse de travail qui lui est propre.

b) N'utilisez pas un outil si l'interrupteur ne le met pas en marche ou ne peut l'arrêter. Un outil qui ne peut être contrôlé par l'interrupteur est dangereux et doit être réparé.

c) Débranchez la batterie de l'outil ou mettez son interrupteur en position « OFF » (Arrêt) ou « LOCKED » (Verrouillé) avant d'effectuer un réglage, de changer d'accessoire ou de ranger l'outil. De telles mesures de sécurité préventive réduisent le risque de démarrage accidentel de l'outil.

d) Rangez les outils hors de portée des enfants et d'autres personnes inexpérimentées. Les outils sont dangereux dans les mains d'utilisateurs novices.

e) Prenez soin de bien entretenir les outils. Soyez attentif à tout désalignement ou coincement des pièces en mouvement, à tout bris ou à toute autre condition préjudiciable au bon fonctionnement de l'outil. Si vous constatez qu'un outil est endommagé, faites-le réparer avant de vous

en servir. De nombreux accidents sont causés par des outils en mauvais état.

f) Les outils de coupe doivent être toujours bien affûtés et propres. Des outils bien entretenus, dont les arêtes sont bien tranchantes, sont moins susceptibles de se coincer et plus faciles à contrôler.

g) Utilisez l'outil électrique, les accessoires et les forets etc., en conformité avec ces instructions et de la manière conçue pour le type particulier d'outil électrique, prend en compte les conditions de travail et le travail qui doit être accompli. L'emploi de l'outil électrique pour des opérations différentes de celles pour lesquelles il a été conçu pourrait entraîner une situation dangereuse.


h) Maintenez les poignées et les surfaces de prise sèches, propres et exemptes d'huile et de graisse. Des poignées et surfaces de prise glissantes ne permettent pas une manipulation et un contrôle sécurisés de l'outil dans des situations inattendues.

5) Entretien

a) Ayez votre outil électrique entretenu par un réparateur agréé n'utilisant que des pièces de rechange identiques. Cela assurera que la sécurité de l'outil électrique est maintenue.

MESURES DE SÉCURITÉ POUR TOUT TYPE DE SCIE

PROCÉDURES DE COUPE

- a)  AVERTISSEMENT: Garder vos mains éloignées de la zone de coupe et de la lame.** Si les deux mains tiennent la scie, elles ne peuvent pas être coupées par la lame.
- b) Ne vous abaissez pas en dessous de la pièce à travailler.** La protection ne vous protège pas de la lame en dessous de la pièce à travailler.
- c) Ajuster la profondeur de coupe à l'épaisseur de la pièce à travailler.** Moins d'une dent de la lame devrait être visible sous la pièce de bois.
- d) Ne jamais tenir une pièce qui est entrain d'être coupée dans les mains ou sur les genoux.** Il est important de maintenir correctement la pièce à travailler pour réduire les risques d'exposition corporelle, de dérapage de la lame ou de perte de contrôle.
- e) Lors de l'exécution d'une opération au cours de laquelle l'outil de coupe peut venir en contact avec les fils cachés ou son propre cordon, tenez l'outil par ses surfaces isolées de préhension.** Le contact avec un fil sous tension rendra les pièces métalliques exposées de l'outil sous tension et causera des chocs à l'opérateur.
- f) Toujours utiliser un guide à refendre ou un guide à bord droit pour refendre.** Cela améliore la précision de la coupe et réduit les risques de dérapage de la lame.

- g) Toujours utiliser des lames à la bonne taille et à la bonne forme de trou (diamant ou rond) s'adaptant sur l'arbre.** Les lames qui ne conviennent pas à la scie tourneront de manière incontrôlée.
- h) Ne jamais utiliser de boulon ou rondelles endommagées ou incorrects.** Les rondelles et le boulon ont été spécialement conçus pour la scie, pour une performance optimale et pour une utilisation en toute sécurité.

MESURES DE SÉCURITÉ SUPPLÉMENTAIRES POUR TOUT TYPE DE SCIE

Causes et prévention des effets de rebond

- L'effet de rebond est une réaction soudaine d'une lame de scie mal alignée, tordue ou grippée qui dévie la scie de la pièce de bois vers l'utilisateur.

- Lorsque la lame est pincée ou grippée à l'extrémité du trait de scie, la lame se bloque et la réaction du moteur ramène très rapidement l'unité en direction de l'utilisateur.

- Si la lame se tord ou s'aligne mal dans la coupe, la dent de l'extrémité arrière de la lame peut plonger dans la surface supérieure du bois et la lame peut sortir du trait de scie pour être projetée vers l'utilisateur.

L'effet de rebond est le résultat d'une mauvaise utilisation de la scie et/ou de procédures ou de conditions d'utilisation incorrectes et peut être évité en suivant les instructions ci-dessous.

- a) Maintenir fermement la scie et positionner les bras pour résister aux forces de l'effet de rebond. Positionner le corps de chaque côté de la lame mais non dans le prolongement de celle-ci.** L'effet de rebond pourrait faire sauter la scie en arrière mais ces forces peuvent être contrôlées par l'utilisateur si les mesures nécessaires sont prises.
- b) Lorsque la lame se gripe ou lorsque la coupe est interrompue pour quelques raisons, relâcher l'interrupteur et maintenir la scie dans la pièce de bois jusqu'à l'arrêt complet de l'outil. Ne jamais essayer de retirer la scie du travail ou de tirer la scie en arrière lorsque la lame est en marche ou un effet de rebond pourrait se produire.** Chercher la cause du grippage de la lame et prendre les mesures correctives.
- c) Lors du redémarrage de la scie dans la pièce de bois, centrer la scie dans la ligne de coupe et vérifier que les dents de la scie ne sont pas engagées dans la pièce.** Si la lame de scie est grippée, elle pourrait sauter hors de la pièce de bois lors du redémarrage de la scie.
- d) Supporter les gros panneaux afin de réduire le risque de pincement ou de retour en arrière de la lame. Les gros panneaux ont tendance à fléchir sous leur propre poids.** Des supports doivent être placés sous la planche

de chaque côté, près de la ligne de coupe et près du bord de la planche.

- e) Ne pas utiliser de lames émoussées ou endommagées.** Des lames non aiguisées ou incorrectes produisent des lignes de coupe étroites provoquant un frottement excessif, un grippage de la lame ou un effet de rebond.
- f) Les verrous de réglage de la profondeur de la lame et de l'angle de chanfreinage doivent être fixés fermement et en toute sécurité avant d'effectuer la coupe.** Si les leviers de serrage de la lame se desserraient pendant la coupe, cela pourrait provoquer le grippage de la lame ou un effet de rebond.
- g) Être davantage prudent lors de la sciage sur des murs existants ou sur d'autres surfaces opaques.** Si la saignée de lame entre en contact avec d'autres objets en arrière de la surface ceci pourrait provoquer un rebond de la scie.

INSTRUCTIONS DE SÉCURITÉ DE TRAVAIL AVEC VOTRE SCIE CIRCULAIRE - EN UTILISANT LE GARDE INTERNE DE MOUVEMENT PENDULAIRE

Fonction de garde inférieure

- a) Avant chaque utilisation, vérifiez que le protecteur rétractable soit bien refermé. Ne pas mettre la scie en marche si le protecteur inférieur ne bouge pas librement et ne se ferme pas instantanément. Ne jamais bloquer ou attacher le protecteur inférieur en position ouverte. Si la scie est accidentellement échappée, le protecteur inférieur peut se tordre. Faites pivoter le protecteur inférieur par son levier et assurez-vous qu'il bouge librement et ne touche pas la lame ni aucune autre partie, dans tous les angles et profondeurs de coupe.**
- b) Vérifier le bon fonctionnement du ressort du protecteur inférieur. Si le protecteur et le ressort ne fonctionnent pas correctement, ils doivent être réparés avant toute utilisation. Le protecteur inférieur peut fonctionner lentement à cause de parties endommagées, de dépôts gommeux ou d'un amoncellement de débris.**
- c) Le protecteur inférieur doit être soulevé manuellement uniquement pour des coupes spéciales telles que « les coupes en plongée » et les « coupes composées ». Soulevez le protecteur inférieur en soulevant son levier de pivotement et dès que la lame pénètre le matériau, le protecteur inférieur doit être relâché.**


Pour toutes les autres opérations de sciage, le protecteur inférieur devrait être en fonction automatique.

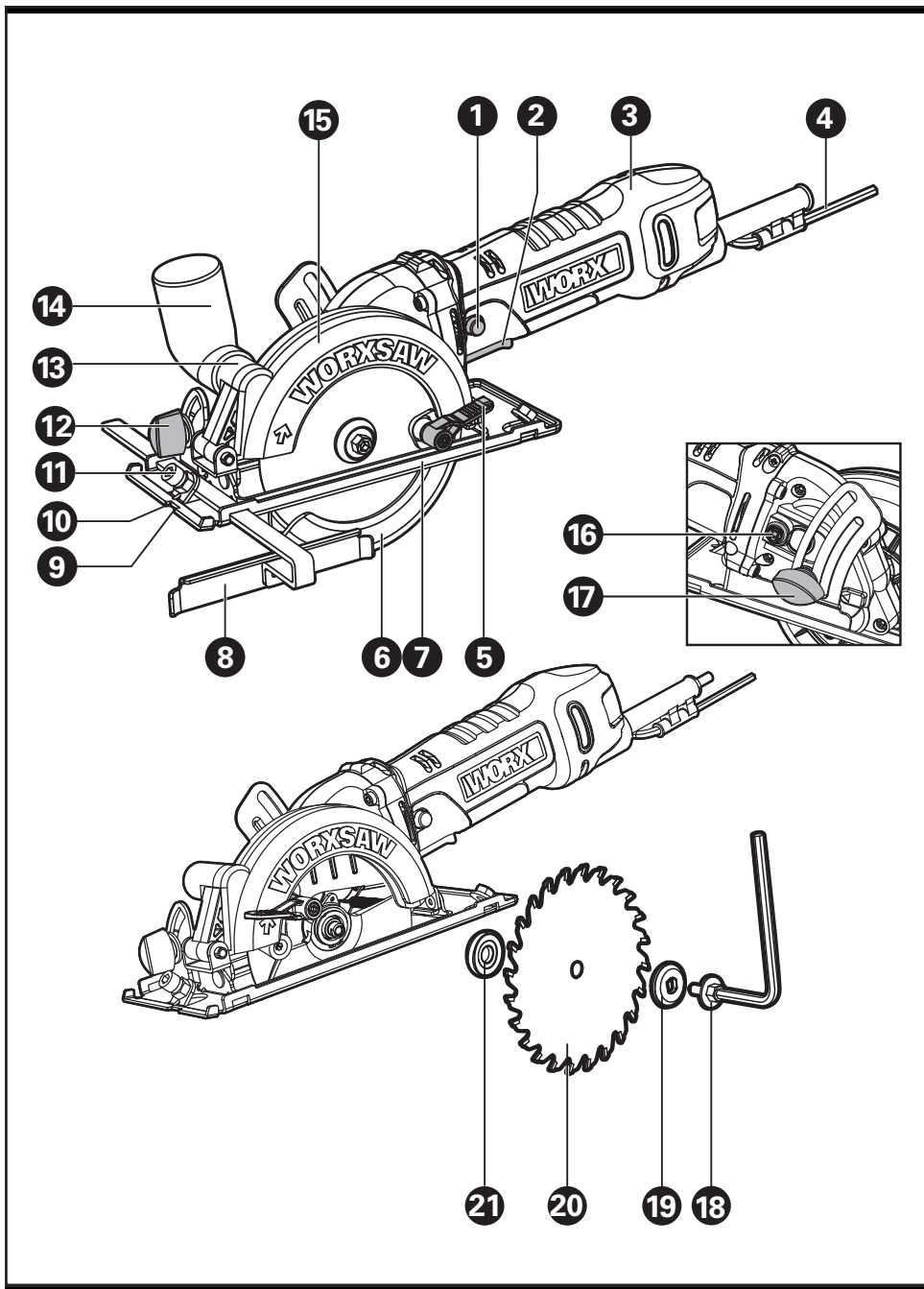
- d) Toujours s'assurer que le protecteur inférieur recouvre la lame avant de poser la scie sur l'établi ou sur le sol. Une lame à nue, non protégée qui n'a pas fini de tourner fera reculer la scie qui tranchera tout ce qui se trouve sur son passage. Prendre en compte le temps nécessaire à la lame pour s'arrêter après que l'interrupteur ait été relâché.**

RÈGLES DE SÉCURITÉ SUPPLÉMENTAIRES - POUR LES SCIES CIRCULAIRES

1. Utilisez uniquement des lames recommandées dans les spécifications
2. Ne pas utiliser de meules.
3. Utiliser uniquement des lames dont le diamètre correspond aux marques.
4. Assurez-vous de sélectionner la lame appropriée à utiliser pour le type matériau à découper
5. Utilisez uniquement des lames de scie spécifiées pour une vitesse égale ou supérieure à la vitesse indiquée sur l'outil.

SYMBOLES

	Afin de réduire les risques de blessure, l'utilisateur doit lire ce mode d'emploi
	Double isolation
	Avertissement
	Portez une protection auditive
	Portez un protecteur oculaire
	Portez un masque antipoussières
	Avant de commencer de travailler avec l'appareil, débranchez l'appareil.
	Toujours porter des gants de protection
	Bois
	Incorrect
	Correct
	Verrouiller
	Déverrouiller
	Lame à pointes de carbure de tungstène (TCT)



LISTE DES ÉLÉMENTS


1. INTERRUPTEUR DE SÉCURITÉ
2. INTERRUPTEUR MARCHE/ARRÊT
3. POIGNÉE SOUPLE
4. CLÉ
5. LEVIER DE COUVRE-LAME
6. COUVRE-LAME
7. PLAQUE DE BASE
8. GUIDE PARALLÈLE
9. MARQUE DE COUPE, 0°
10. MARQUE DE COUPE, 45°
11. DISPOSITIF DE BLOCAGE DU GUIDE DE COUPE PARALLÈLE
12. LEVIER DE RÉGLAGE DE LA COUPE EN BISEAU
13. SORTIE D'ÉJECTION DE BRAN DE SCIE
14. ADAPTATEUR D'ASPIRATION
15. COUVRE-LAME SUPÉRIEURE FIXE
16. BOUTON POUR BLOCAGE DE L'ARBRE
17. LEVIER DE RÉGLAGE DE LA PROFONDEUR DE LA COUPE
18. ECROU DE SERRAGE DE LAME
19. RONDELLE EXTÉRIEURE
20. LAME DE SCIE
21. RONDELLE INTÉRIEURE

Les accessoires illustrés ou décrits ne sont pas tous compris dans le cadre de la livraison standard.

20

DONNÉES TECHNIQUES

Type **WX439L (4 - Désignation de la machine, correspondant à la scie)**

Tension	120V~60Hz		
Ampérage nominal	4.5A		
Vitesse à vide	4100/min		
Diamètre de lame	115mm x 9.5mm (4-1/2 po x 3/8 po)		
Profondeur maximale de coupe	Profondeur de coupe à 90°	43mm (1-11/16 po)	
	Profondeur de coupe à 45°	29mm (1-1/8 po)	
Angle de chanfrein	0-45°		
Double isolation	 //		
Poids	1.8kg (3.97 lb)		

ACCESSOIRES

Clé	1
Guide parallèle	1
Adaptateur d'aspiration	1
Lame à pointes de carbure de tungstène (TCT): 24 dents (WA5043)	1

Nous vous recommandons d'acheter tous vos accessoires du même magasin qui vous a vendu l'outil. Pour de plus amples renseignements, consultez l'emballage de l'accessoire. Le personnel du magasin peut également vous conseiller.

Scie circulaire compacte



F

INSTRUCTIONS D'UTILISATION



REMARQUE: Avant d'utiliser cet outil, assurez-vous de lire attentivement le manuel d'utilisation.

ASSEMBLAGE & FONCTIONNEMENT

ACTION	SCHÉMA
Montage et démontage de la lame REMARQUE: Pour verrouille ou desserrer le boulon de la lame, il est nécessaire d'appuyer sur le bouton de verrouillage de la broche.  AVERTISSEMENT: Toujours retirer la batterie avant de changer la lame!	Voir Fig. A
Interrupteur de sécurité et déclencheur Marche/Arrêt  AVERTISSEMENT: Pour éviter les possibles blessures d'une lame tranchante, ne placez pas vos mains autour de la plaque de base. REMARQUE: Laissez l'adaptateur poussière connecté au aspirateur de poussière lors de l'utilisation de l'outil.	Voir Fig. B
Coupes de refente et coupes transversales REMARQUE: La ligne de coupe de la lame de scie devait aligner avec le trait de coupe à 0°.	Voir Fig. C1, C2
Guide parallèle	Voir Fig. D1, D2
Réglage de la profondeur de coupe	Voir Fig. E1, E2
Réglage de l'angle de coupe REMARQUE: La ligne de coupe de la lame de scie devait aligner avec le trait de coupe à 45°.	Voir Fig. F
Poche et du poussoir	Voir Fig. G1, G2
Evacuation de la sciure	Voir Fig. H

CONSEILS POUR L'UTILISATION DE VOTRE SCIE CIRCULAIRE

Votre instrument électrique ne doit pas être utilisé

pour découper les matières plastiques. La lame peut devenir particulièrement chaude après une utilisation prolongée, ne la touchez pas SVP.

PRENEZ SOIN DE VOS OUTILS ET ENTRETENEZ LES BIEN

Retirez la prise de l'alimentation avant une procédure d'ajustements, d'entretien ou de maintenance.

En les gardant bien affûtés et propres, vous en obtiendrez le rendement maximum dans des conditions optimales de sécurité. Suivez les instructions pour le graissage ou la pose et le démontage des accessoires. Inspectez les cordons d'alimentation à intervalles réguliers et, s'ils sont endommagés, faites-les réparer à un centre de service après-vente autorisé. Votre outil ne nécessite aucune lubrification ou entretien supplémentaire. Il ne comporte aucune pièce à réparer ou à entretenir par l'utilisateur. N'utilisez jamais de l'eau ou des nettoyants chimiques pour nettoyer l'outil. Essayez-le avec un chiffon sec. Rangez toujours votre outil dans un endroit sec. Gardez propres les ouvertures de ventilation du moteur. Si le cordon d'alimentation est endommagé, il doit être remplacé par le fabricant, son agent de réparation ou d'autres personnes professionnelles afin d'éviter tout danger. Ôtez régulièrement la sciure et les copeaux de la sécurité et de la semelle afin de garantir une performance adéquate.

GUIDE DE DÉPANNAGE

symptôme	Les causes possibles	Solution possible
<p>Outil ne démarre pas lorsque vous utilisez l'interrupteur marche/arrêt.</p>	<p>N'appuyez pas sur l'interrupteur de sécurité.</p> <p>Le cordon n'est pas branché po</p> <p>Le cordon d'alimentation est cassée.</p> <p>Balai de charbon est usé</p>	<p>Appuyez sur l'interrupteur de sécurité et maintenez-le tout en enclenchant le déclencheur Marche/Arrêt.</p> <p>Assurez-vous que le cordon d'alimentation est bien connecté à une prise murale.</p> <p>Débranchez le cordon d'alimentation.</p> <p>Remplacez l'aide d'un préposé à l'entretien qualifié.</p> <p>Remplacer la brosse de carbone à l'aide d'un préposé à l'entretien qualifié.</p>
<p>Profondeur de coupe est inférieure qui est définie.</p>	<p>Sciure accumulée à l'arrière de la base.</p>	<p>Secouez la sciure de bois. Envisager de connecter un vide pour la collecte de la poussière.</p>
<p>Rotation de la lame ou des bordereaux</p>	<p>Lame n'est pas étroitement en prise avec la broche.</p>	<p>Retirer la lame et la remonter selon les instructions décrites dans la section Montage et démontage de la lame.</p>
<p>Lame ne coupe pas une ligne droite.</p>	<p>Lame est émoussée.</p> <p>Lame n'est pas monté correctement.</p> <p>Saw n'est pas guidé correctement.</p>	<p>Monter une nouvelle lame tranchante sur la scie.</p> <p>Assurez-vous que la lame est correctement monté.</p> <p>Utilisez un guide parallèle.</p>
<p>Lame coups de pied arrière lorsque l'on commence une coupe</p>	<p>Les dents de lame de scie peuvent être enclenchées dans le matériel au démarrage.</p> <p>Lame ne tourne pas assez vite</p>	<p>Avant de redémarrer une scie dans la pièce à usiner, centrez la lame de scie dans le trait de coupe et vérifiez si les dents de la scie ne sont pas engagées dans le matériel.</p> <p>Laisser la lame atteindre sa vitesse maximale avant de commencer une coupe dans le matériau.</p>

SEGURIDAD DEL PRODUCTO

! **ADVERTENCIA:** El polvo originado por la utilización de herramientas motorizadas contiene químicos que, según el Estado de California, causan cáncer, defectos congénitos y otros daños reproductivos. Algunos ejemplos de esos productos químicos son:

- El plomo de las pinturas a base de plomo;
- La sílice cristalina de los ladrillos, del cemento y de otros productos de albañilería;
- El arsénico y el cromo de la madera tratada químicamente.

El riesgo que se corre a causa del contacto con esos productos varía según la frecuencia con que usted realice este tipo de trabajos. Con el fin de reducir su exposición a esas substancias químicas: trabaje en un área bien ventilada; utilice un equipo de seguridad adecuado, tal como una máscara contra el polvo especialmente diseñada para filtrar partículas microscópicas.

! **ADVERTENCIA:** Este producto puede exponerlo a sustancias químicas, como plomo y di (2-etilhexilo) ftalato (DEHP), que el estado de California reconoce como causantes de cáncer y defectos de nacimiento u otros daños reproductivos. Para más información visite www.P65Warnings.ca.gov.

ADVERTENCIAS DE SEGURIDAD GENERALES PARA LA HERRAMIENTA MOTORIZADA

! **ADVERTENCIA:** Lea y comprenda todas las instrucciones. El no seguir todas las instrucciones a continuación puede ocasionar descargas eléctricas, incendios y/o heridas graves.

Conserve todas las advertencias e instrucciones para consulta futura.

El término "herramienta eléctrica" que figura en todas las advertencias que aparecen a continuación hace referencia a la herramienta que funciona con la red de suministro eléctrico (con cable) o a la herramienta eléctrica accionada a baterías (sin cable).

1) Área de trabajo

- Mantenga su lugar de trabajo limpio y bien iluminado.** Bancos de trabajo desordenados y lugares oscuros invitan a los accidentes.
- No utilice herramientas eléctricas en atmósferas explosivas, como por ejemplo en presencia de líquidos, inflamables, gases o polvo.** Las herramientas eléctricas crean chispas que pueden encender el polvo o los

vapores.

- Mantenga a los espectadores, niños y visitantes a una distancia prudente cuando esté utilizando una herramienta eléctrica.** Las distracciones pueden hacerle perder el control.

2) Seguridad eléctrica

- Los enchufes de las herramientas eléctricas deben coincidir con el tomacorriente. No modifique de algún modo el enchufe. No utilice enchufes adaptadores con herramientas eléctricas conectadas a tierra.** Si no se modifican los enchufes y se utilizan los tomacorrientes adecuados, se reducirá el riesgo de una descarga eléctrica.
- Evite el contacto del cuerpo con las superficies conectadas a tierra tales como tuberías, radiadores, estufas de cocina y refrigeradores.** Existe mayor riesgo de que se produzcan descargas eléctricas si su cuerpo está conectado a tierra.
- No exponga las herramientas eléctricas a la lluvia ni a los ambientes húmedos.** La entrada de agua en una herramienta eléctrica aumenta el riesgo de que se produzcan descargas eléctricas.
- No abuse del cable. Nunca use el cable para transportar las herramientas ni para sacar el enchufe de un tomacorriente. Mantenga el cable alejado del calor, el aceite, los bordes afilados o las piezas móviles.** Los cables dañados aumentan el riesgo de que se produzcan descargas eléctricas.
- Cuando opere una herramienta eléctrica en exteriores, use un cable de extensión adecuado para uso en exteriores.** El uso de un cable adecuado para uso en exteriores reduce el riesgo de descargas eléctricas.
- Si operar una herramienta eléctrica en un lugar húmedo es inevitable, use un elemento protegido del dispositivo de corriente residual (RCD).** El uso de un RCD reduce el riesgo de descargas eléctricas.

3) Seguridad personal

- Manténgase alerta, fíjese en lo que está haciendo y use el sentido común cuando utilice una herramienta eléctrica. No use la herramienta cuando esté cansado o se encuentre bajo la influencia de drogas, alcohol o medicamentos.** Un momento de distracción al utilizar herramientas eléctricas puede dar lugar a lesiones personales graves.
- Utilice equipo de seguridad. Use siempre protección ocular.** La utilización del equipo de seguridad como máscara antipolvo, zapatos de seguridad antideslizantes, casco o protección auditiva para condiciones adecuadas reducirá el riesgo de lesiones personales.
- Evite el arranque accidental. Asegúrese de que el interruptor esté en la posición de trabado o de apagado antes de instalar el paquete de baterías.** Transportar herramientas

con el dedo en el interruptor o instalar el paquete de batería cuando el interruptor está encendido invitando a los accidentes.

- d) **Retire las llaves o claves de ajuste antes de encender la herramienta.** Una llave o clave de ajuste dejada en una parte giratoria de la herramienta puede causar una lesión personal.
- e) **No intente alcanzar demasiado lejos. Mantenga un apoyo de los pies y un equilibrio adecuados en todo momento.** El apoyo de los pies y el equilibrio adecuados permiten un mejor control de la herramienta en situaciones inesperadas.
- f) **Vístase apropiadamente. No se ponga ropa holgada ni joyas. Mantenga su cabello, ropa y guantes alejados de las piezas móviles.** La ropa holgada, las joyas o el pelo largo pueden quedar atrapados en las piezas móviles.
- g) **Si se proporcionan dispositivos para la extracción y recolección de polvo, asegúrese que estos estén conectados y utilizados correctamente.** El uso de estos dispositivos puede reducir peligros relacionados con el polvo.
- h) **No permita que la familiaridad obtenida a partir del uso frecuente de otras herramientas le permita volverse complaciente e ignorar los principios de seguridad de la herramienta.** Una acción descuidada puede causar lesiones severas en una fracción de segundo.


- f) **Conserve las herramientas de corte afiladas y limpias.** Las herramientas mantenidas adecuadamente, con bordes de corte afilados, tienen menos probabilidades de atascarse y son más fáciles de controlar.
- g) **Utilice la herramienta eléctrica, accesorios, brocas de la herramienta, etc. de acuerdo con estas instrucciones y de la manera adecuada para el tipo de herramienta eléctrica, teniendo en cuenta las condiciones de trabajo y el trabajo que se realizará.** La utilización de la herramienta eléctrica para operaciones diferentes de aquellas para las que se encuentra diseñada podría dar lugar a una situación peligrosa.
- h) **Mantenga las manijas y las superficies de sujeción secas, limpias y libres de aceite y grasa.** Las manijas y superficies de sujeción resbaladizas no permiten el manejo y control seguros de la herramienta en situaciones inesperadas.

5) Reparación

- a) **La herramienta debe ser reparada por una persona calificada de servicio técnico y se deben utilizar partes de reemplazo idénticas.** Esto asegurará el mantenimiento de la seguridad de la herramienta eléctrica.

INSTRUCCIONES DE SEGURIDAD PARA TODAS LAS SIERRAS

PROCEDIMIENTOS DE CORTE

- a)  **ADVERTENCIA: Mantenga las manos alejadas del área de corte y la cuchilla.** Si utiliza ambas manos para sostener la sierra, no podrá cortar con la cuchilla.
- b) **No utilice la herramienta sobre la pieza de trabajo por la parte inferior.** La protección no le protegerá de la cuchilla bajo la pieza de trabajo.
- c) **Ajuste la profundidad de corte al grosor de la pieza de trabajo.** Menos de un diente completo de la hoja debe ser visible por debajo de la pieza de trabajo.
- d) **Nunca sostenga la pieza a cortar en sus manos o sobre su pierna. Asegure la pieza de trabajo sobre una plataforma estable.** Es importante apoyar correctamente la pieza de trabajo para reducir al mínimo la exposición del cuerpo, el atascamiento de la hoja o la pérdida de control.
- e) **Sujete la herramienta por las superficies de agarre aisladas cuando realice una operación en la que la herramienta de corte pueda entrar en contacto con cables ocultos o con su propio cable.** El contacto con un cable que tenga corriente hará que ésta pase a las partes metálicas descubiertas de la herramienta y que el operador reciba descargas

eléctricas.

- f) **Cuando haga cortes longitudinales siempre use una guía de corte o guía de borde recto.** Esto mejora la exactitud del corte y reduce el riesgo de atascamiento de la hoja.
- g) **Siempre utilice hojas con orificios de eje del tamaño y forma correctos (diamante contra redondo).** Las hojas que no se corresponden con los dispositivos de la caja, funcionarán de modo excéntrico, causando pérdida de control.
- h) **Nunca emplee tornillos o arandelas de hoja incorrectos o dañados.** Las arandelas y los tornillos de la hoja fueron diseñados especialmente para su sierra, para funcionamiento y seguridad óptimos de la operación.

MÁS INSTRUCCIONES DE SEGURIDAD PARA TODAS LAS SIERRAS

Causas y prevención del operador contra el contragolpe

- El contragolpe es una reacción repentina a hojas de sierra pellizcadas, atascadas o mal alineadas, causando que una sierra sin control salte por encima de la pieza de trabajo hacia el operador;
- Cuando la hoja es pellizcada o atascada firmemente por la muesca, se atora y la reacción del motor conduce la unidad rápidamente hacia el operador;
- Si la hoja se tuerce o está mal alineada durante el corte, los dientes del extremo trasero pueden incrustarse en la superficie superior de la madera haciéndola saltar de la muesca y proyectarse hacia el operador.

El contragolpe es el resultado del uso incorrecto de la sierra y/o de procedimientos o condiciones de funcionamiento incorrectos y puede ser evitado tomando precauciones apropiadas según se describe a continuación.

- a) **Mantenga una empuñadura firme sobre la sierra y coloque sus brazos para resistir las fuerzas del contragolpe. Coloque su cuerpo a cualquier lado de la hoja, pero no alineado con la hoja.** El contragolpe podría hacer que la sierra salte al revés, pero las fuerzas del contragolpe pueden ser controladas por el operador si se toman las precauciones apropiadas.
- b) **Cuando la hoja se atasca o cuando se interrumpe un corte por cualquier razón, suelte el gatillo y sostenga la sierra en el material sin moverla hasta que la hoja se haya detenido completamente.** Nunca trate de sacar la sierra de la pieza de trabajo o tire de la sierra al revés mientras la hoja esté en movimiento, ya que podría ocurrir un contragolpe. Investigue y tome acciones correctivas para eliminar la causa del atascamiento de la hoja.
- c) **Al reiniciar el trabajo sobre la pieza**

correspondiente, centre la hoja de sierra en la muesca y compruebe que los dientes de la sierra no estén incrustados en el material. Si la hoja de sierra está atascada, cuando se enciende nuevamente la sierra puede saltar o producir un contragolpe desde la pieza de trabajo.

- d) **Fije paneles grandes para reducir al mínimo el riesgo de que la hoja pellizque o provoque un contragolpe. Los paneles grandes tienden a ceder bajo su propio peso.** Los soportes deben ser colocados debajo del panel a ambos lados, cerca de la línea de corte y del borde del panel.
- e) **No utilice hojas desafiladas o dañadas.** Las hojas con dientes desafilados o colocados incorrectamente producen una muesca estrecha causando fricción excesiva, atascamiento de la hoja y contragolpe.
- f) **Las palancas de traba de profundidad y de inclinación de la hoja deben estar ajustadas y aseguradas antes de efectuar un corte.** Si el ajuste de la hoja cambia durante el corte, puede causar atascamiento y contragolpe.
- g) **Tenga cuidado adicional al hacer cortes mediante paredes y otros lugares ciegos.** La hoja que sobresale puede cortar objetos capaces de causar un contragolpe.

INSTRUCCIONES DE SEGURIDAD PARA SU SIERRA CIRCULAR CON CUBIERTA INTERNA DEL PENDULO

Función de la guarda inferior

- a) **Verifique que la cubierta de seguridad inferior cierre correctamente antes de cada uso. No accione la sierra si la cubierta de seguridad inferior no se mueve libremente ni se cierra inmediatamente. Nunca ate o fije con abrazaderas la cubierta inferior en la posición abierta. Si la sierra se cae accidentalmente, la cubierta inferior puede doblarse.** Levántela con el mango retráctil y cerciórese de que se mueva libremente y que no toque la hoja u otras partes en todos los ángulos y profundidades de corte.
- b) **Compruebe el funcionamiento del resorte de la cubierta inferior. Si la cubierta y el resorte no están funcionando correctamente, deben ser reparados antes del uso.** La cubierta inferior puede funcionar lentamente debido a piezas dañadas, depósitos gomosos o acumulación de desechos.
- c) **La cubierta inferior debe ser retraída manualmente solo en casos de cortes especiales como cortes mediante descenso vertical o cortes compuestos. Levante la cubierta inferior por el mango retráctil y cuando la hoja penetre en el material**















suelte la cubierta. Para las demás operaciones de corte, la cubierta inferior debe funcionar automáticamente.

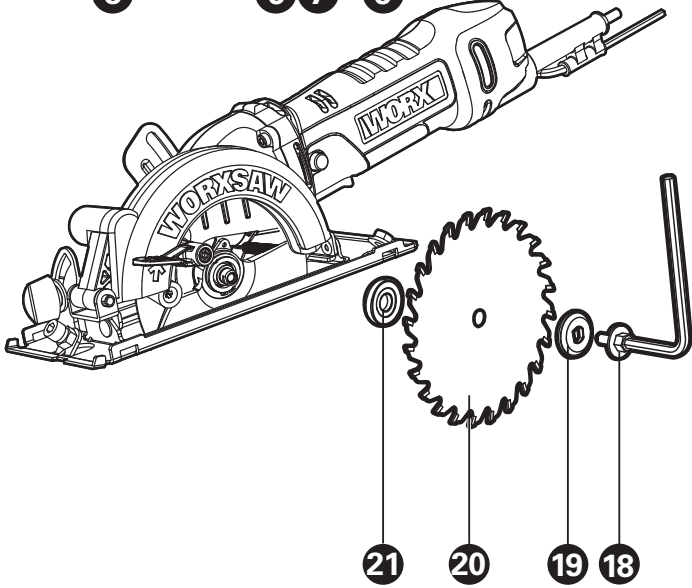
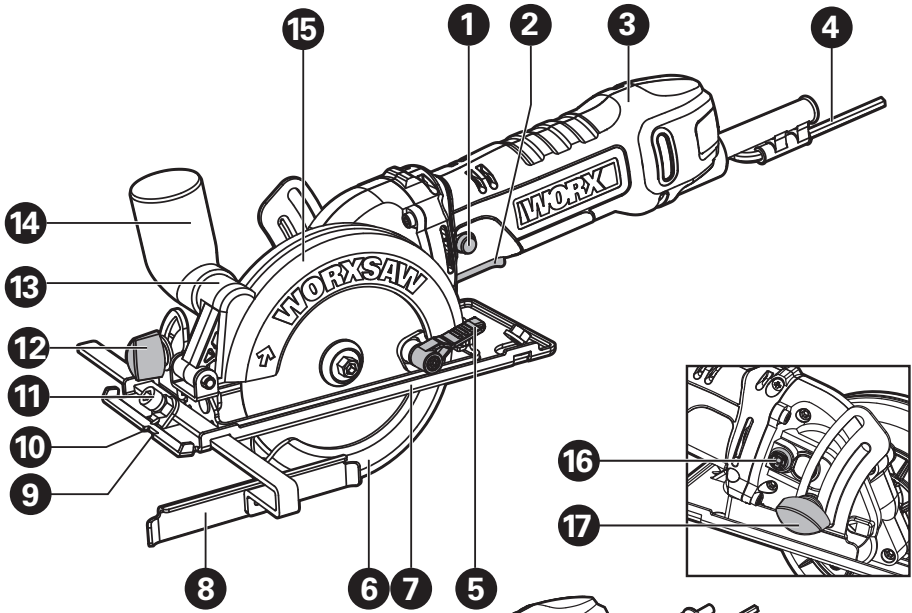
- d) Siempre verifique que la cubierta inferior esté cubriendo la hoja antes de colocar la sierra sobre el banco o el piso. Una hoja desprotegida o que resbala hará que la sierra vaya al revés, cortando lo que esté en su trayectoria. Tome nota del tiempo que tarda la hoja en detenerse una vez que suelte el gatillo.**

REGLAS DE SEGURIDAD ADICIONALES - PARA SIERRAS CIRCULARES

1. Sólo use cuchillas de sierra recomendadas en la especificación.
2. No utilice ningún tipo de ruedas abrasivas.
3. Utilice sólo el diámetro(s) de hoja según las indicaciones.
4. Identifique la cuchilla de sierra correcta a utilizarse para el material a cortar.
5. Sólo use cuchillas de sierra que estén marcadas con una velocidad igual o mayor a la velocidad marcada en la herramienta.

SÍMBOLOS

	Para reducir el riesgo de lesiones, el usuario deberá leer el manual de instrucciones
	Doble aislamiento
	Advertencia
	Use protección auditiva
	Use lentes de seguridad
	Use máscara contra el polvo
	Antes de realizar cualquier trabajo en la máquina, extraiga el enchufe de alimentación del tomacorriente.
	Use siempre unos guantes de protección
	Corte
	Incorrecto
	Correcto
	Bloqueo
	Desbloqueo
	Cuchilla con punta de carburo



LISTA DE PARTES

1. INTERRUPTOR DE SEGURIDAD
2. INTERRUPTOR ENCENDIDO/APAGADO
3. MANGO DE EMPUÑADURA BLANDA
4. LLAVE
5. PALANCA DE PROTECCIÓN DE HOJA
6. PROTECCIÓN DE HOJA
7. PLACA BASE
8. GUÍA PARALELA
9. MARCA DE CORTE, 0°
10. MARCA DE CORTE, 45°
11. ACCESORIO DE AGARRE GUÍA PARALELO
12. PALANCA DE AJUSTE DE BISEL
13. ORIFICIO PARA EXTRACCIÓN DEL ASERRÍN
14. ADAPTADOR DE ASPIRADORA
15. PROTECCIÓN DE HIJA SUPERIOR FIJA
16. BOTÓN DE BLOQUEO DEL EJE
17. PALANCA DE AJUSTE DE PROFUNDIDAD
18. TUERCA DE AJUSTE DE LA HOJA
19. REBORDE EXTERIOR
20. HOJA DE SIERRA
21. REBORDE INTERIOR

No todos los accesorios ilustrados o descritos se incluyen junto con el producto estándar.

28

DATOS TÉCNICOS

Tipo **WX439L (4 - Designación de maquinaria, representante de Sierra)**

Tensión	120V~60Hz	
Corriente nominal	4.5A	
Velocidad sin Carga	4100/min	
Diámetro de la hoja	4-1/2 pulg. x 3/8 pulg. (115mm x 9.5mm)	
Capacidad de corte	Profundidad de corte en 90°	1-11/16 pulg. (43mm)
	Profundidad de corte en 45°	1-1/8 pulg. (29mm)
Capacidad de biselado	0-45°	
Doble Aislamiento	<input type="checkbox"/> // <input type="checkbox"/>	
Peso	3.97 lbs (1.8kg)	

ACCESORIOS

Llave	1
Guía paralela	1
Adaptador de aspiradora	1
Hoja TCT: 24T (WA5043)	1



Le recomendamos que compre todos los accesorios en la tienda donde adquirió la herramienta. Consulte el empaque de los accesorios para obtener más detalles. El personal de la tienda también puede ayudarle y aconsejarle.

INSTRUCCIONES DE USO



NOTA: Antes de usar la herramienta, lea atentamente el manual de instrucciones.

ENSAMBLE & FUNCIONAMIENTO

ACCIÓN	FIGURA
Colocación y extracción de la hoja NOTA: Para bloquear o soltar el perno de la cuchilla, se debe presionar el botón de bloqueo de husillo.  ADVERTENCIA: Siempre retire la batería antes de cambiar la hoja!	Vea la Fig. A
Interruptor de seguridad y gatillo de encendido/apagado  ADVERTENCIA: Para evitar lesiones de corte a partir de la hoja filosa, por favor no ponga sus manos alrededor de la Placa base. NOTA: Mantenga el adaptador de la suciedad conectada al dispositivo colector de suciedad cuando se use la herramienta.	Vea la Fig. B
Cortes al hilo fijos y cortes cruzados NOTA: La línea de corte de la cuchilla de la sierra está alineada con la marca de corte 0°.	Vea la Fig. C1, C2
Guía paralela	Vea la Fig. D1, D2
Ajuste de la profundidad de corte	Vea la Fig. E1, E2
Ajuste del ángulo de corte NOTA: La línea de corte de la cuchilla de la sierra está alineada con la marca de corte 45°.	Vea la Fig. F
Corte de cavidad/émbolo	Vea la Fig. G1, G2
Extracción del aserrín	Vea la Fig. H

CONSEJOS PARA TRABAJAR CON SU SIERRA CIRCULAR

Su herramienta eléctrica no se deberá usar para cortar plásticos. La hoja se puede calentar demasiado después del uso prolongado, por favor no la toque.

MANTENGA LAS HERRAMIENTAS CON CUIDADO

Extraiga el enchufe del tomacorriente antes de realizar cualquier ajuste, reparación o mantenimiento.

Conserve las herramientas afiladas y limpias para que funcionen mejor y con más seguridad. Siga las instrucciones para lubricar y cambiar los accesorios. Inspeccione periódicamente los cables de las herramientas y si están dañados hágalos reparar por un centro de servicio autorizado. Su herramienta no requiere lubricación ni mantenimiento adicional. No posee piezas en su interior que puedan ser reparadas por el usuario. Nunca emplee agua o productos químicos para limpiar su herramienta. Use simplemente un paño seco. Guarde siempre su herramienta en un lugar seco. Mantenga limpias las ranuras de ventilación del motor. Si el cable de alimentación se encuentra dañado deberá ser reemplazado por el fabricante, su agente de servicio o algún otro profesional igualmente cualificado para llevar a cabo dichas operaciones, con el fin de evitar riesgos.

De forma periódica, limpie el polvo y astillas de la guarda y base para garantizar un rendimiento correcto.

SOLUCIÓN DE PROBLEMAS

Problema	Causa posible	Solución posible
La herramienta no arranca al utilizar el interruptor de encendido/apagado.	<p>No se presionó el interruptor de seguridad.</p> <p>Cable de alimentación no enchufado.</p> <p>Cable de alimentación dañado.</p> <p>El cepillo de carbono se encuentra desgastado.</p>	<p>Presione el interruptor de seguridad y sosténgalo mientras active el gatillo de encendido/apagado.</p> <p>Asegúrese de que el cable de alimentación se encuentre conectado de forma correcta a un tomacorriente en funcionamiento.</p> <p>Desenchufe el cable de alimentación. Solicite el reemplazo a una persona de mantenimiento calificada.</p> <p>Solicite el reemplazo del cepillo de carbono a una persona de mantenimiento calificada.</p>
La profundidad de corte es inferior a la establecida.	Aserrín acumulado en la parte posterior de la base.	Extraiga el aserrín. Considere conectar una aspiradora para realizar la recolección del polvo.
La hoja da vueltas o se resbala.	La hoja no se encuentra acoplada de forma estrecha en el eje.	Extraiga la hoja y vuélvala a colocar tal como se describe en la sección Colocación y extracción de la hoja.
La hoja no corta en línea recta.	<p>La hoja se encuentra desafilada.</p> <p>La hoja no se encuentra colocada de forma correcta.</p> <p>No se está guiando correctamente a la sierra.</p>	<p>Coloque una nueva hoja afilada en la sierra.</p> <p>Compruebe que la hoja se encuentre colocada de forma correcta.</p> <p>Utilice una guía de borde.</p>
La hoja realiza un contragolpe al comenzar con un corte.	<p>Los dientes de la hoja de sierra pueden estar atorados en el material cuando se enciende.</p> <p>La hoja no está girando lo suficientemente rápido.</p>	<p>Antes de volver a encender una sierra en la pieza de trabajo, centre la hoja de la sierra en línea de separación y revise que los dientes de la sierra no estén atorados en el material.</p> <p>Espera a que la hoja de sierra alcance la velocidad máxima antes de comenzar con la realización de un corte.</p>

WORX

you've got the power

www.worx.com

Copyright © 2019, Positec. All Rights Reserved.

Copyright © 2019, Positec. Tous droits réservés.

© Derechos reservados 2019, Positec. Todos los derechos reservados.

AR01432801